



US00D576558S

(12) **United States Design Patent**
Chiang

(10) **Patent No.:** **US D576,558 S**

(45) **Date of Patent:** **** Sep. 9, 2008**

(54) **CONNECTOR CONTACT**

(75) Inventor: **Shu Man Chiang**, Tu-Cheng (TW)

(73) Assignee: **Cheng Uei Precision Industry Co., Ltd.**, Taipei Hsien (TW)

(**) Term: **14 Years**

(21) Appl. No.: **29/300,408**

(22) Filed: **Mar. 24, 2008**

(51) **LOC (8) Cl.** **13-03**

(52) **U.S. Cl.** **D13/154**

(58) **Field of Classification Search** D13/133,
D13/147, 154, 156, 184, 138.1; 439/159-160,
439/607-610, 613-614, 629-630, 636, 675-677,
439/680

See application file for complete search history.

(56) **References Cited**

U.S. PATENT DOCUMENTS

5,961,338 A * 10/1999 Wu et al. 439/636
6,053,776 A * 4/2000 Bricaud et al. 439/630
6,149,466 A * 11/2000 Bricaud et al. 439/630

D539,750 S * 4/2007 Takahashi et al. D13/147
D560,614 S * 1/2008 McEvoy et al. D13/147
D561,695 S * 2/2008 Hung et al. D13/133

* cited by examiner

Primary Examiner—Brian N Vinson

(74) *Attorney, Agent, or Firm*—Rosenberg, Klein & Lee

(57) **CLAIM**

The ornamental design for a connector contact, as shown and described.

DESCRIPTION

FIG. 1 is a perspective view of a connector contact showing my new design;

FIG. 2 is a front elevational view thereof;

FIG. 3 is a rear elevational view thereof;

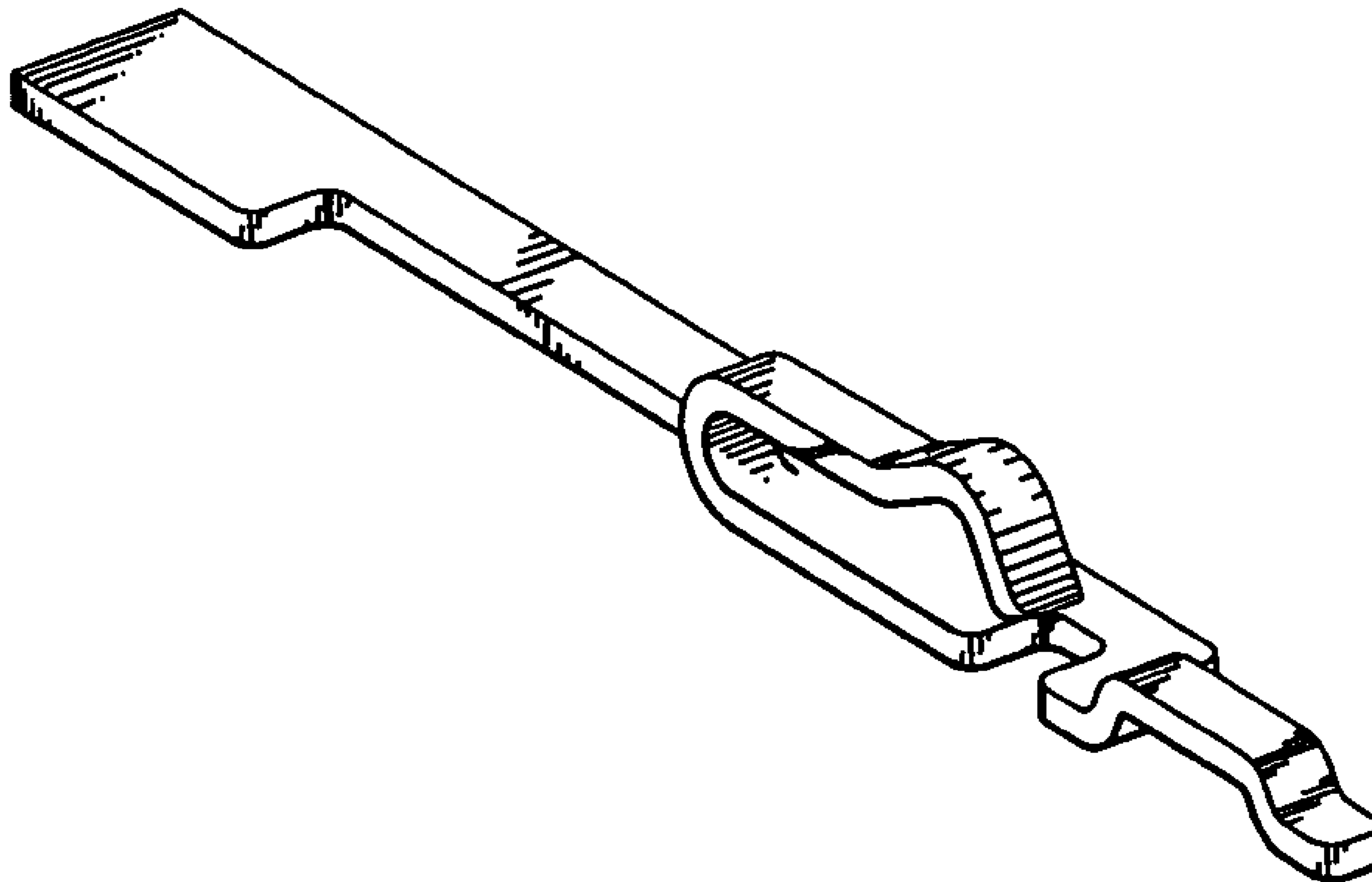
FIG. 4 is a left side elevational view thereof;

FIG. 5 is a right side elevational view thereof;

FIG. 6 is a top plan view thereof; and,

FIG. 7 is a bottom plan view thereof.

1 Claim, 7 Drawing Sheets



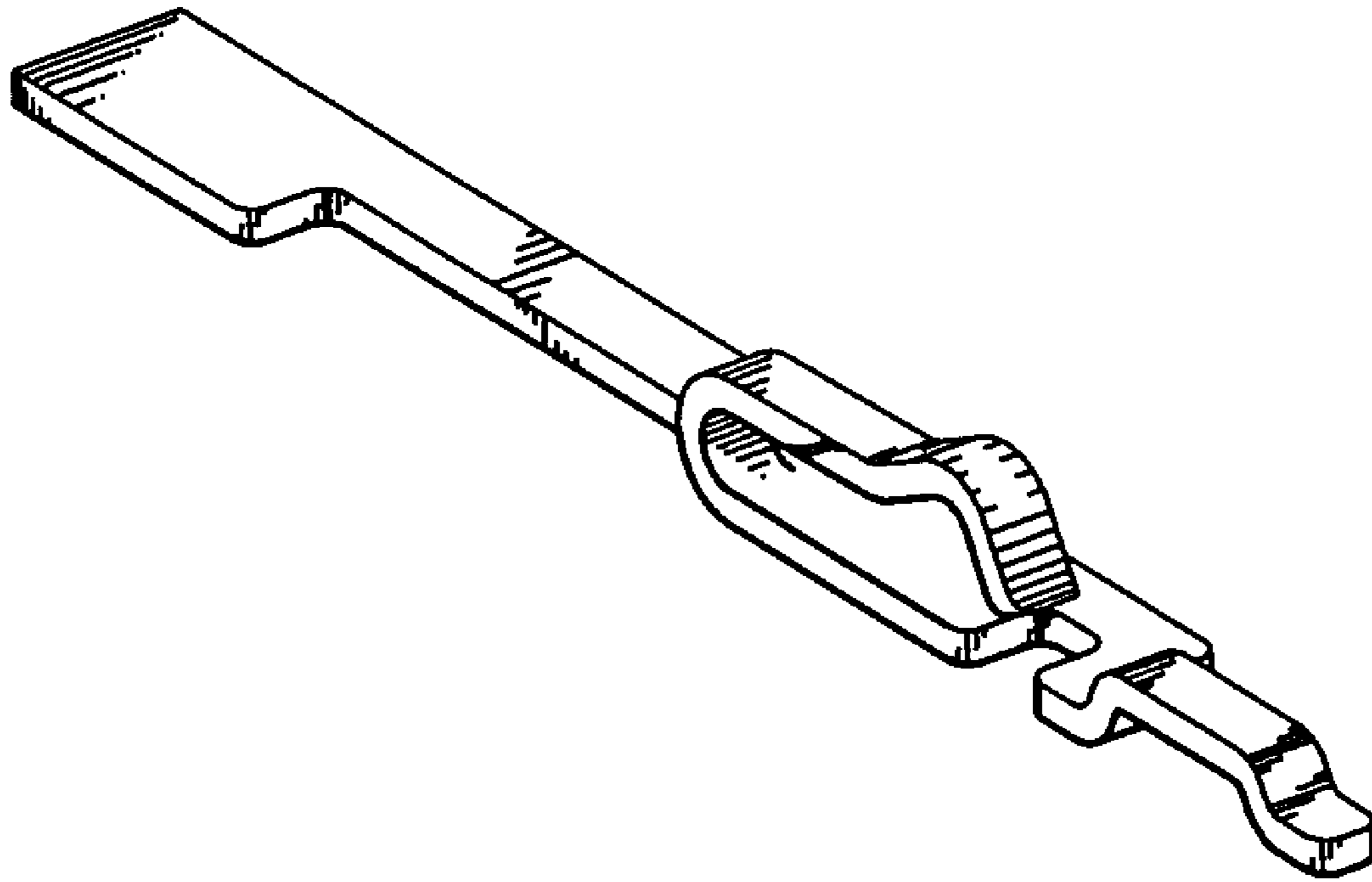


FIG. 1

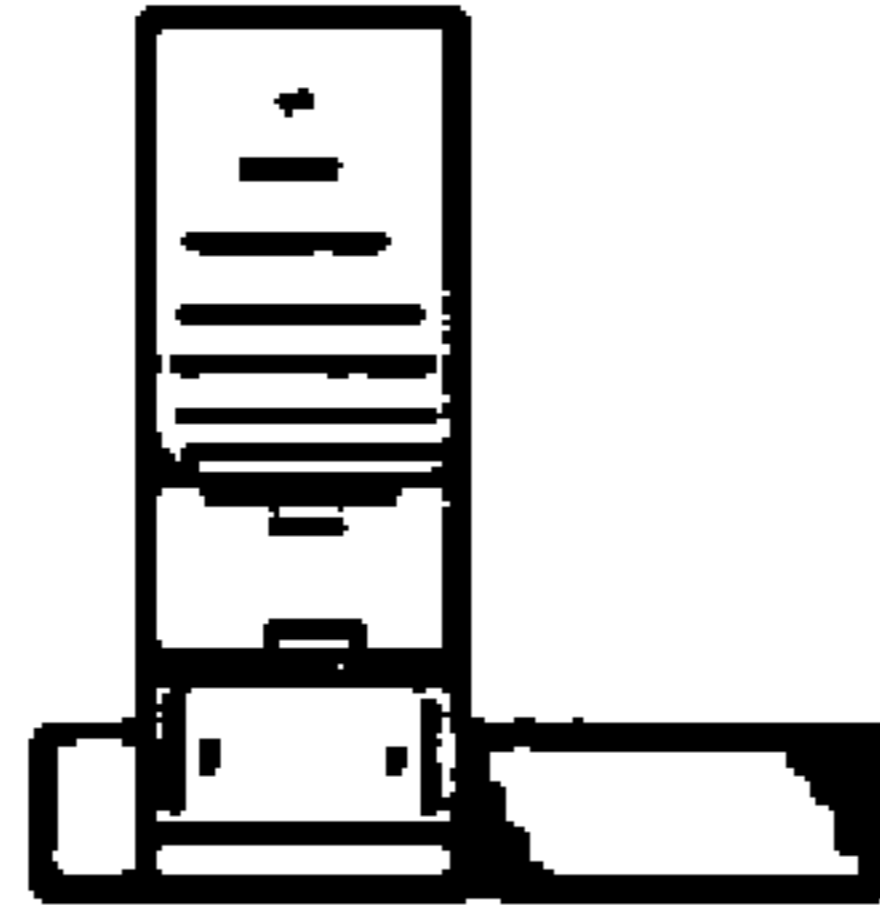


FIG. 2

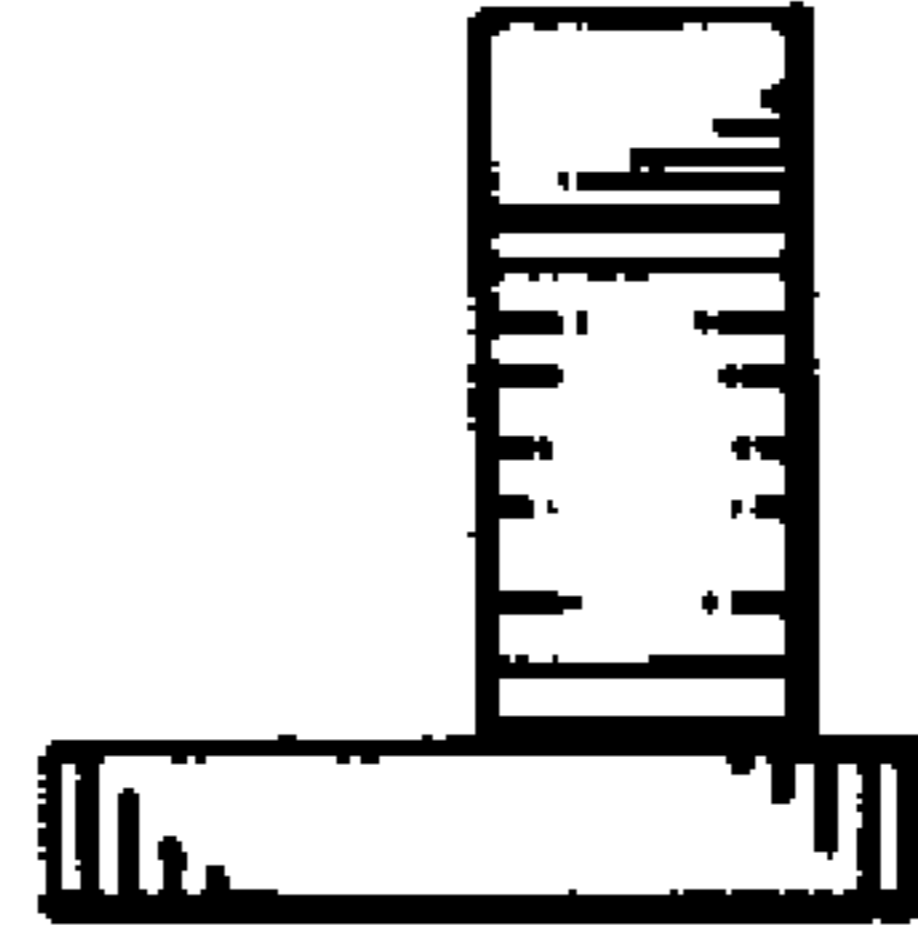


FIG. 3



FIG. 4



FIG. 5

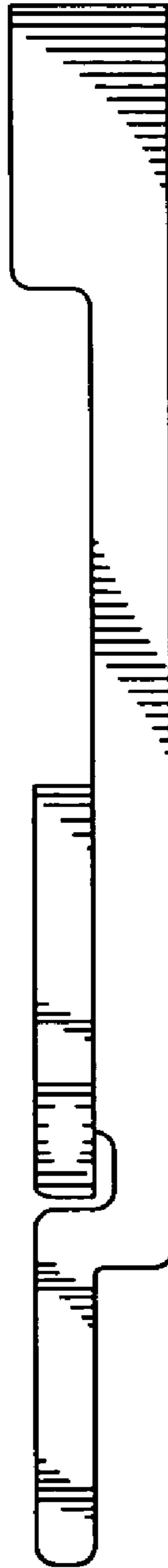


FIG. 6

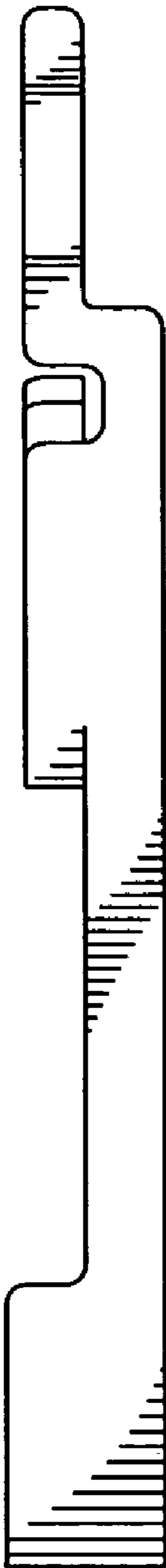


FIG. 7