



US00D576555S

(12) **United States Design Patent**
Bruseloff

(10) **Patent No.:** **US D576,555 S**

(45) **Date of Patent:** **** Sep. 9, 2008**

(54) **MALE ELECTRICAL CONNECTOR**

(75) Inventor: **Bert Bruseloff**, Farmington Hills, MI
(US)

(73) Assignee: **SFD, LLC**, Farmington Hills, MI (US)

(**) Term: **14 Years**

(21) Appl. No.: **29/275,550**

(22) Filed: **Dec. 29, 2006**

(51) **LOC (8) Cl.** **13-03**

(52) **U.S. Cl.** **D13/147**

(58) **Field of Classification Search** D13/147,
D13/153, 154, 184; 439/350, 352, 353, 358,
439/445, 455, 607, 608, 609, 610, 660, 676,
439/680, 682, 731

See application file for complete search history.

(56) **References Cited**

U.S. PATENT DOCUMENTS

D363,269 S	10/1995	Riley et al.	
D379,968 S *	6/1997	Tan et al.	D13/147
D409,148 S *	5/1999	Yotsutani et al.	D13/147
D409,982 S *	5/1999	Sato et al.	D13/147
D412,154 S *	7/1999	Lok	D13/147
D415,108 S *	10/1999	Arai	D13/147

D416,230 S *	11/1999	Narumo et al.	D13/147
D416,540 S *	11/1999	Sato et al.	D13/147
D422,560 S *	4/2000	Lok	D13/147
D437,291 S *	2/2001	Ohtani	D13/147
D447,467 S *	9/2001	Hisada et al.	D13/147
D531,127 S *	10/2006	Zhong et al.	D13/147

* cited by examiner

Primary Examiner—Daniel D Bui

(74) *Attorney, Agent, or Firm*—Gifford, Krass, Sprinkle,
Anderson & Citkowski, P.C.

(57) **CLAIM**

The ornamental design for male electrical connector, as shown and described.

DESCRIPTION

FIG. 1 is a top, front and right side perspective view of a male electrical connector showing my new design;

FIG. 2 is a top plan view thereof;

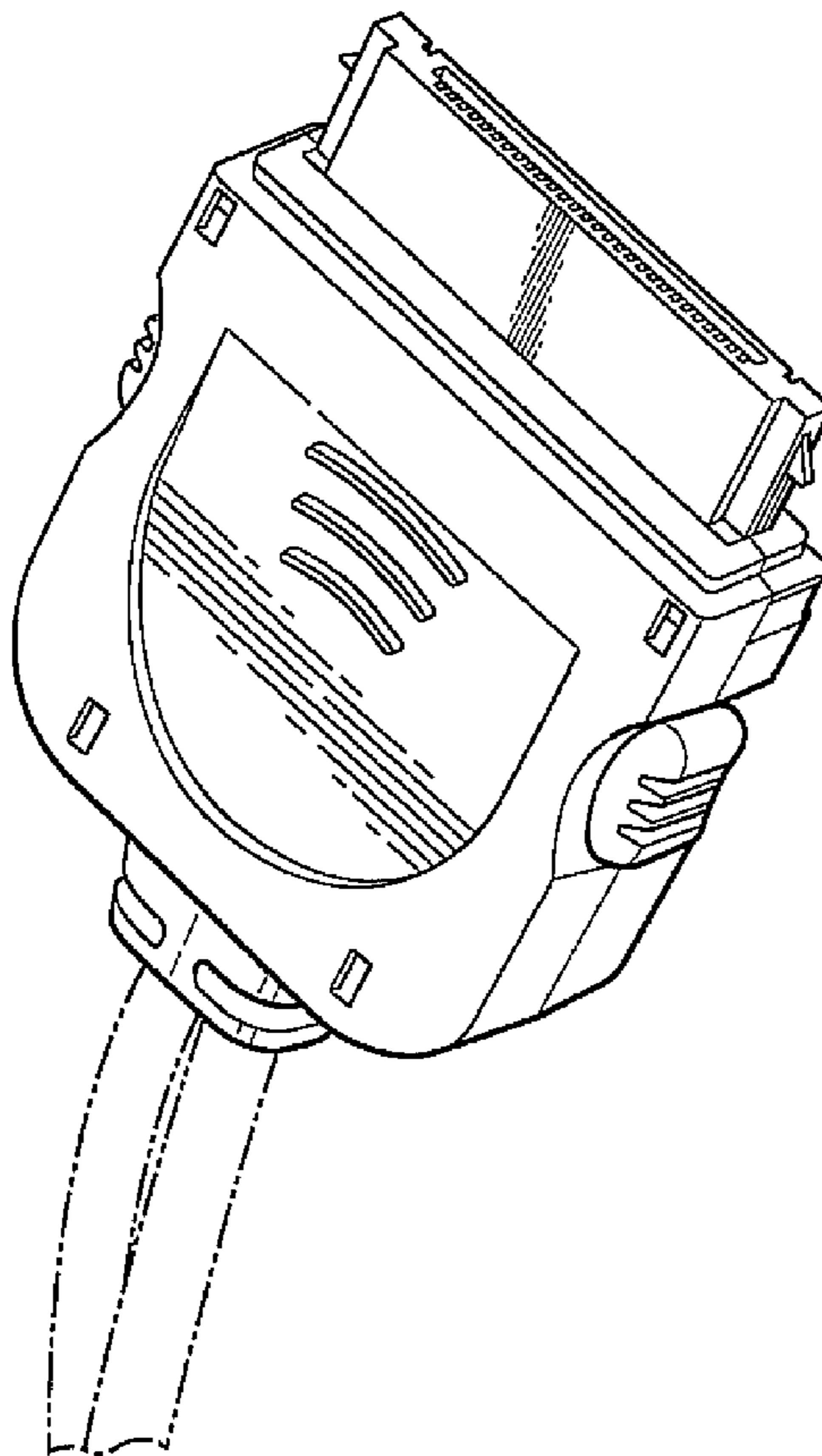
FIG. 3 is a front elevation view thereof;

FIG. 4 is a bottom plan view thereof;

FIG. 5 is a right side elevation view thereof, the left side elevation view is a mirror image thereto; and,

FIG. 6 is a rear elevation view thereof.

1 Claim, 2 Drawing Sheets



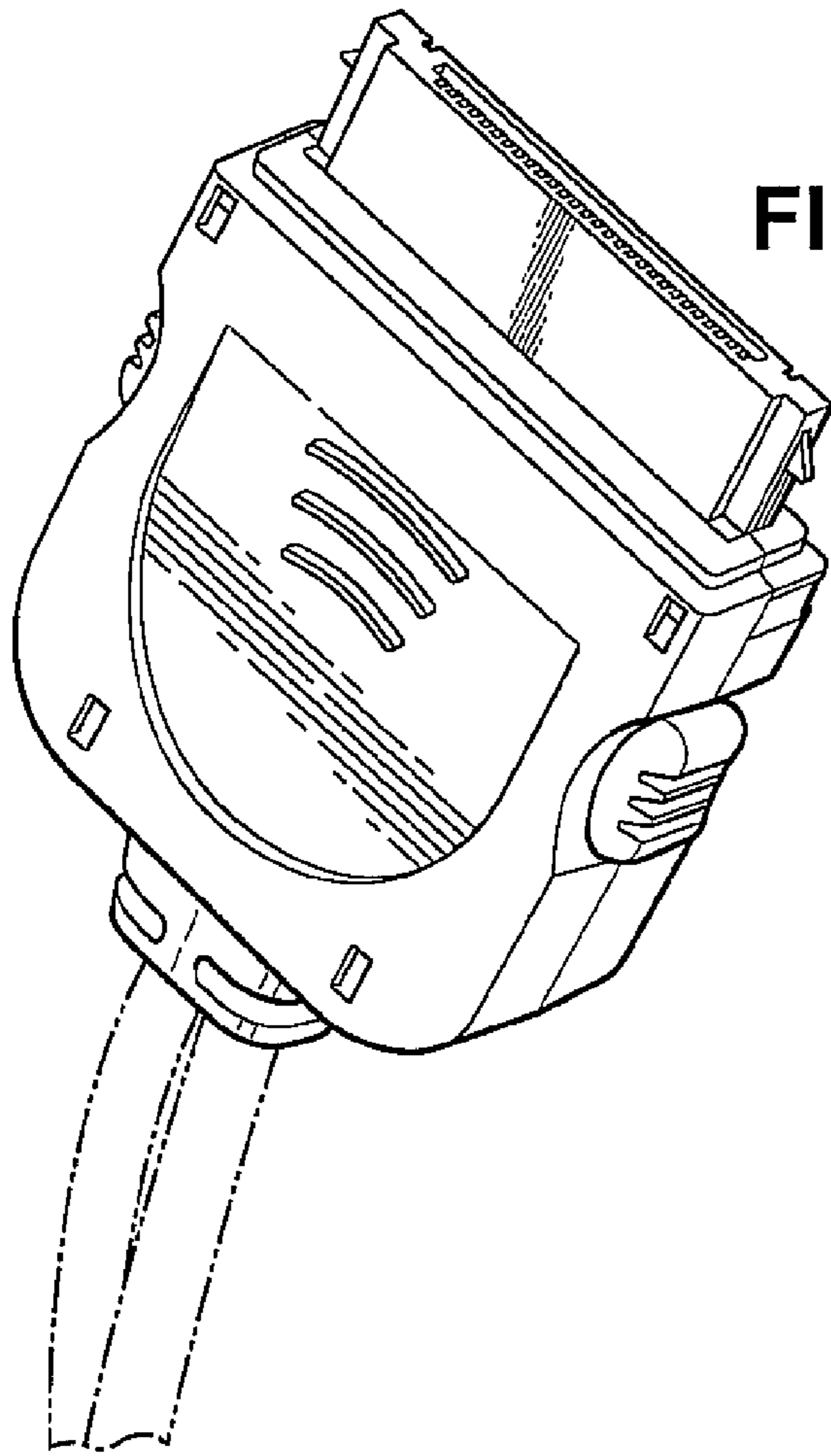


FIG - 1

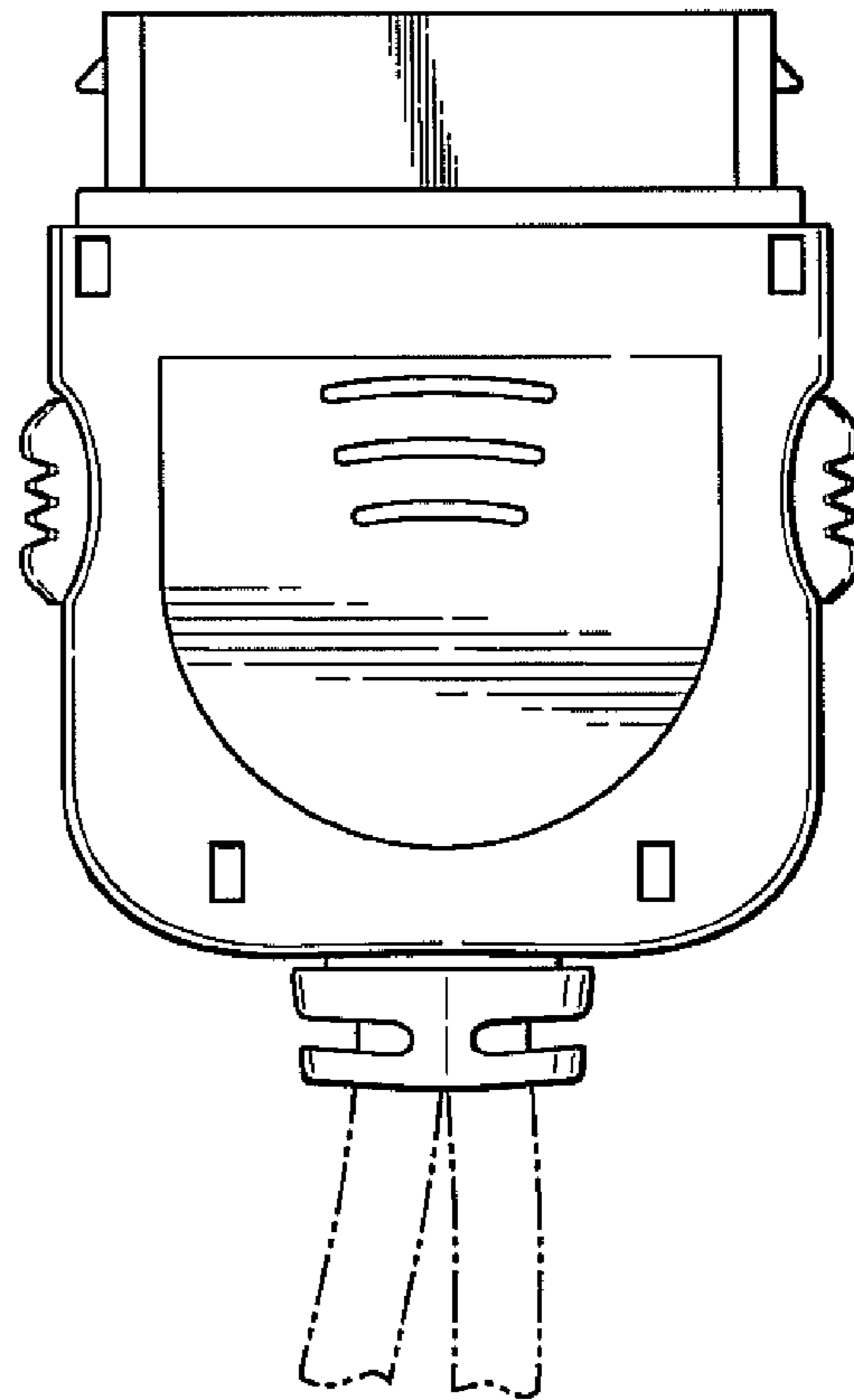


FIG - 2

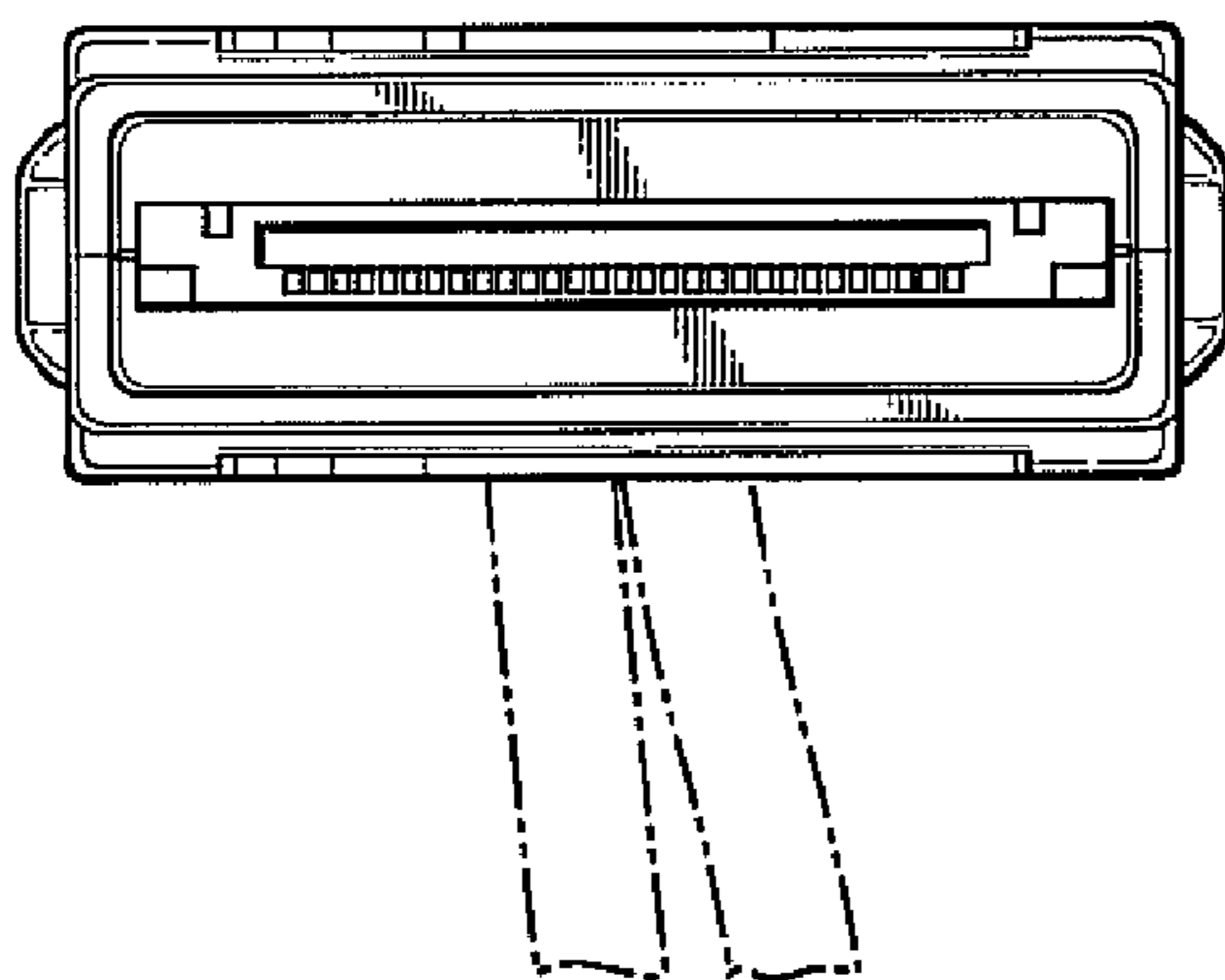


FIG - 3

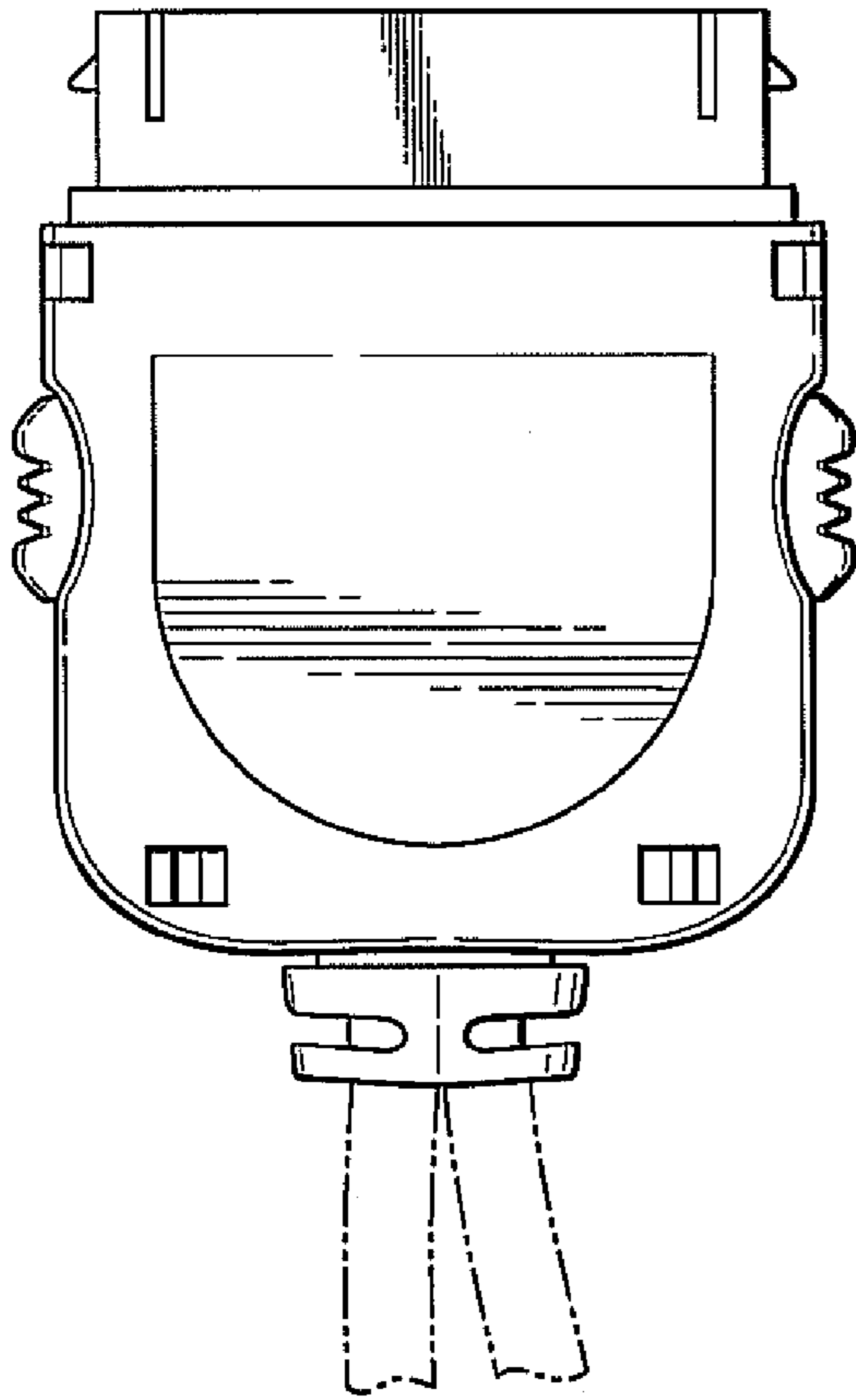


FIG - 4

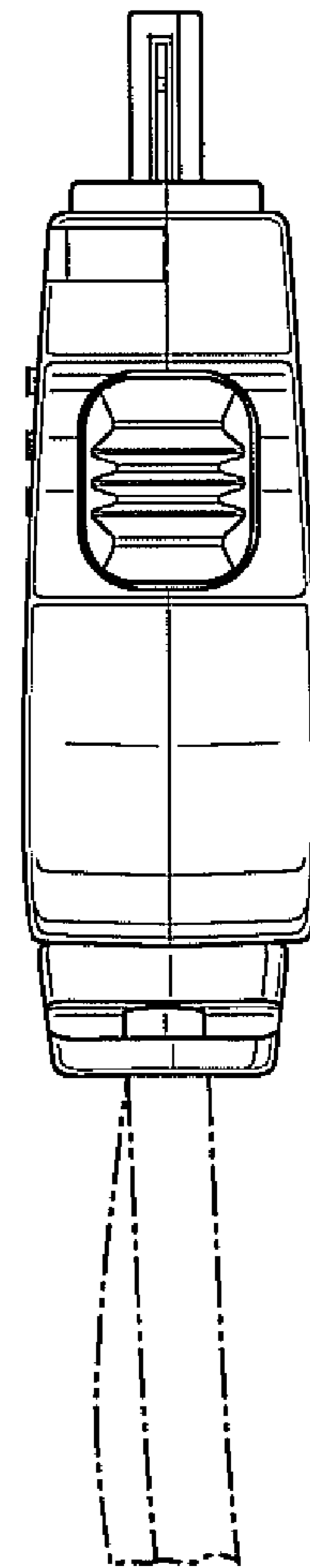


FIG - 5

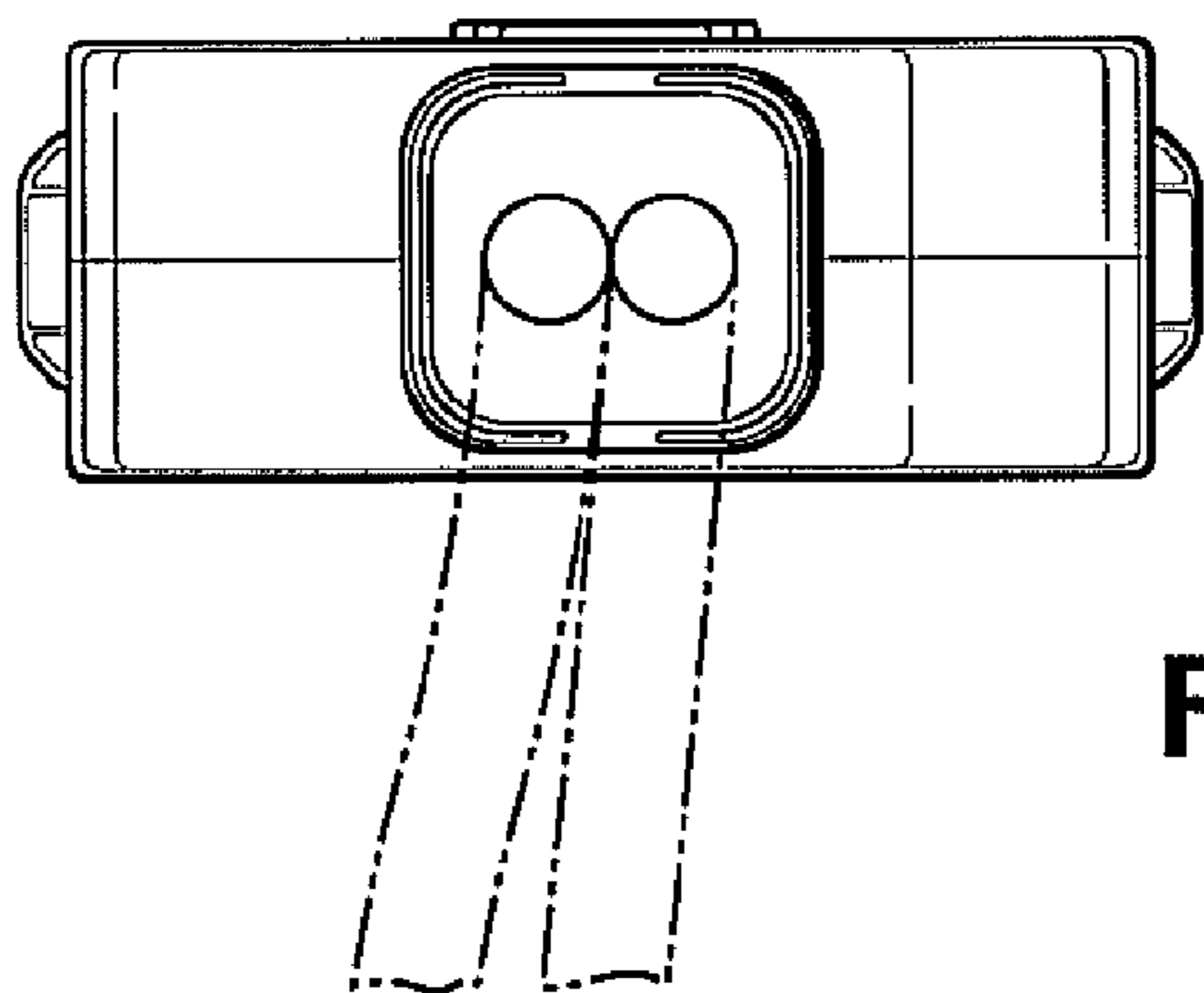


FIG - 6