



US00D576554S

(12) **United States Design Patent**
Sun

(10) **Patent No.:** **US D576,554 S**

(45) **Date of Patent:** **** Sep. 9, 2008**

(54) **CONNECTOR**

(75) Inventor: **Dao-Rui Sun**, Tu-Cheng (TW)

(73) Assignee: **Cheng Uei Precision Industry Co., Ltd.**, Taipei Hsien (TW)

(**) Term: **14 Years**

(21) Appl. No.: **29/300,076**

(22) Filed: **Feb. 20, 2008**

(51) **LOC (8) Cl.** **13-03**

(52) **U.S. Cl.** **D13/146; D13/147**

(58) **Field of Classification Search** D13/133,
D13/146, 147, 154, 184; 439/79, 607-610,
439/939

See application file for complete search history.

(56) **References Cited**

U.S. PATENT DOCUMENTS

5,273,460	A *	12/1993	Arai	439/609
5,288,248	A *	2/1994	Chen	439/609
5,622,523	A *	4/1997	Kan et al.	439/607
5,908,331	A *	6/1999	Hsu et al.	439/607
D416,862	S *	11/1999	Chiou	D13/146
D434,005	S *	11/2000	Arai	D13/146

D465,458	S *	11/2002	Zhang et al.	D13/147
D478,870	S *	8/2003	Fang	D13/147
D508,894	S *	8/2005	Zhao et al.	D13/133

* cited by examiner

Primary Examiner—Daniel D Bui

(74) *Attorney, Agent, or Firm*—Rosenberg, Klein & Lee

(57) **CLAIM**

The ornamental design for a connector, as shown and described.

DESCRIPTION

FIG. 1 is a perspective view of a connector showing my new design;

FIG. 2 is a front elevational view thereof;

FIG. 3 is a rear elevational view thereof;

FIG. 4 is a left side elevational view thereof;

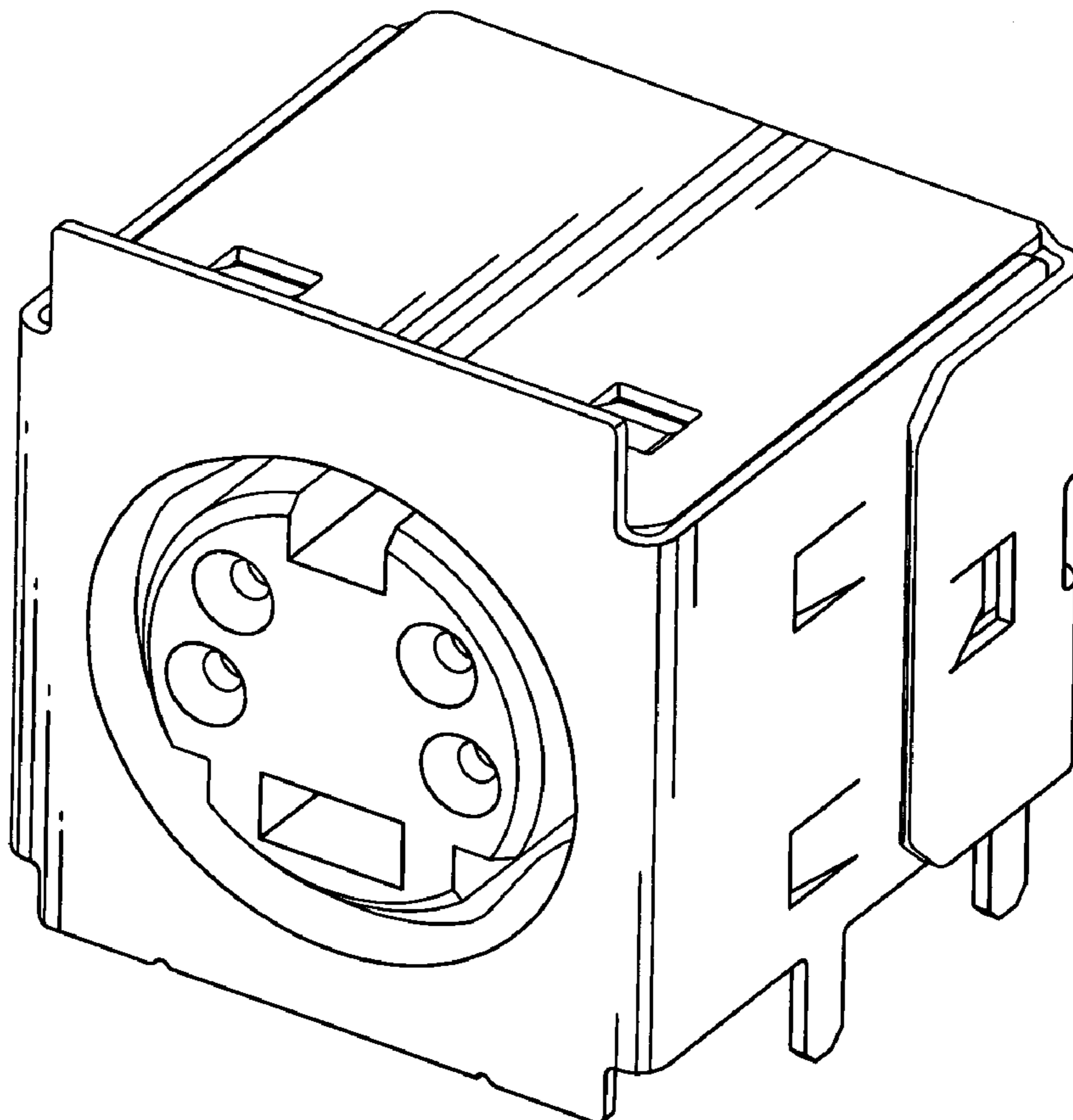
FIG. 5 is a right side elevational view thereof;

FIG. 6 is a top plan view thereof;

FIG. 7 is a bottom plan view thereof; and,

FIG. 8 is another perspective view of the connector showing my new design.

1 Claim, 8 Drawing Sheets



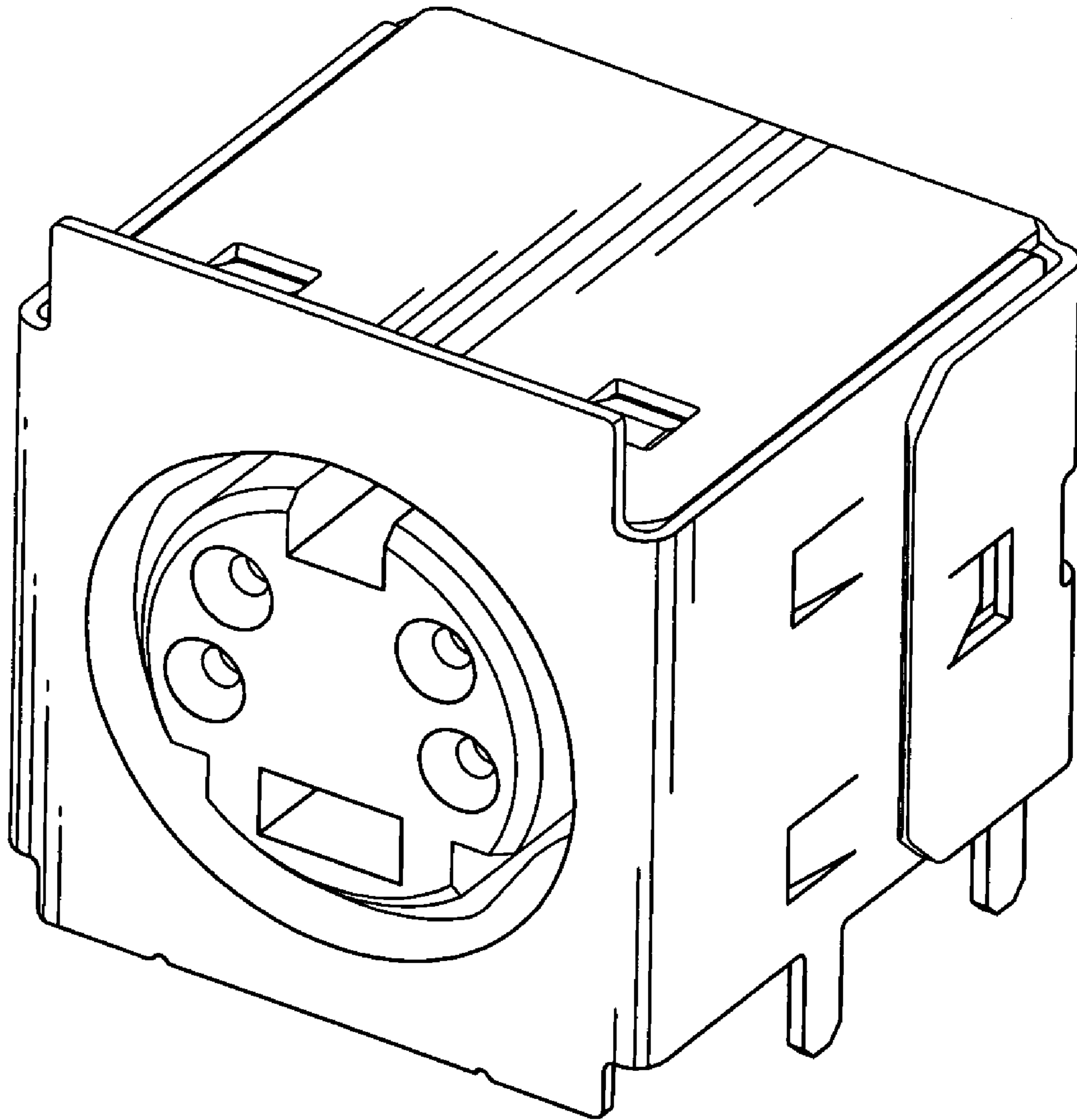


FIG. 1

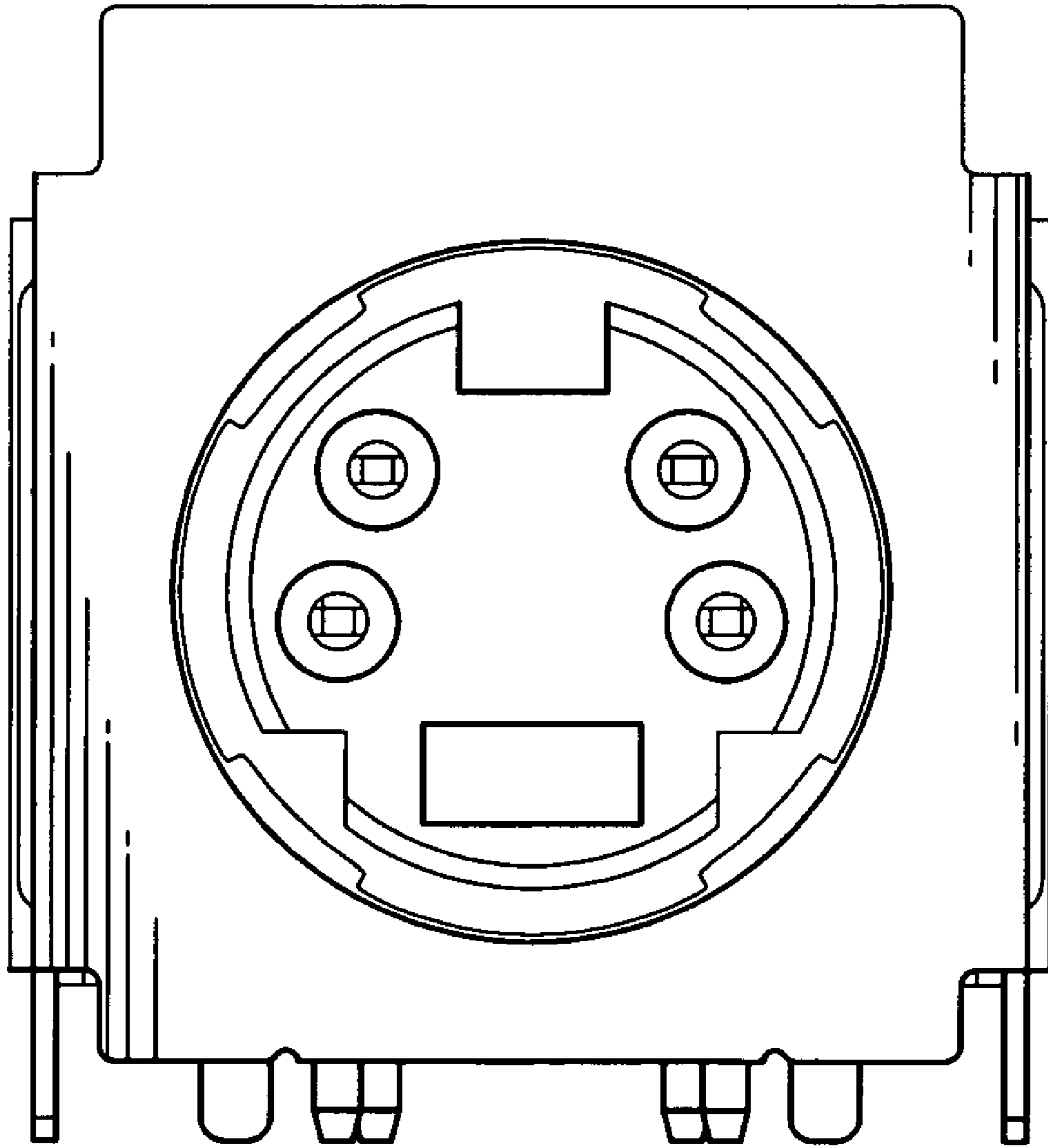


FIG. 2

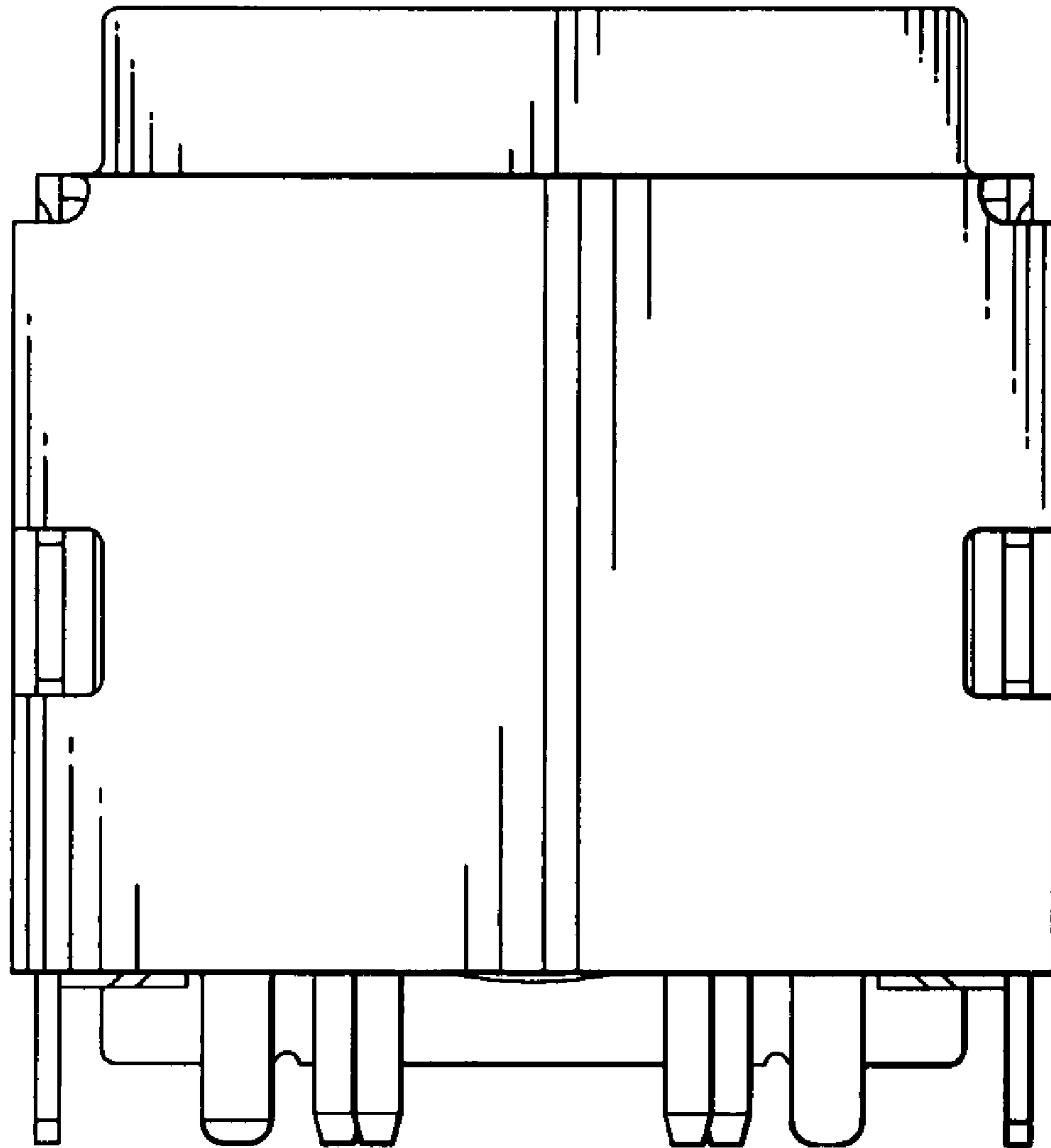


FIG. 3

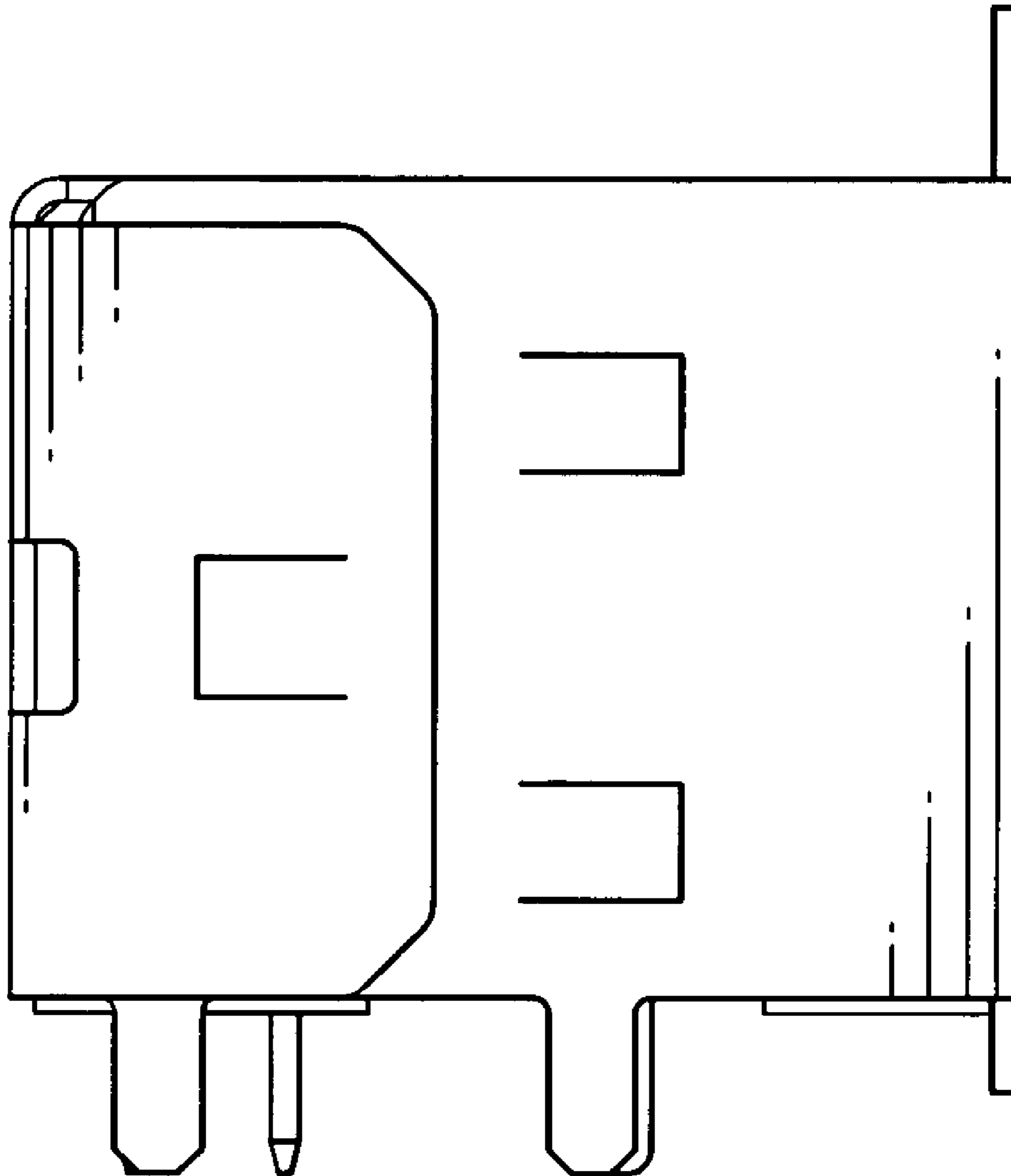


FIG. 4

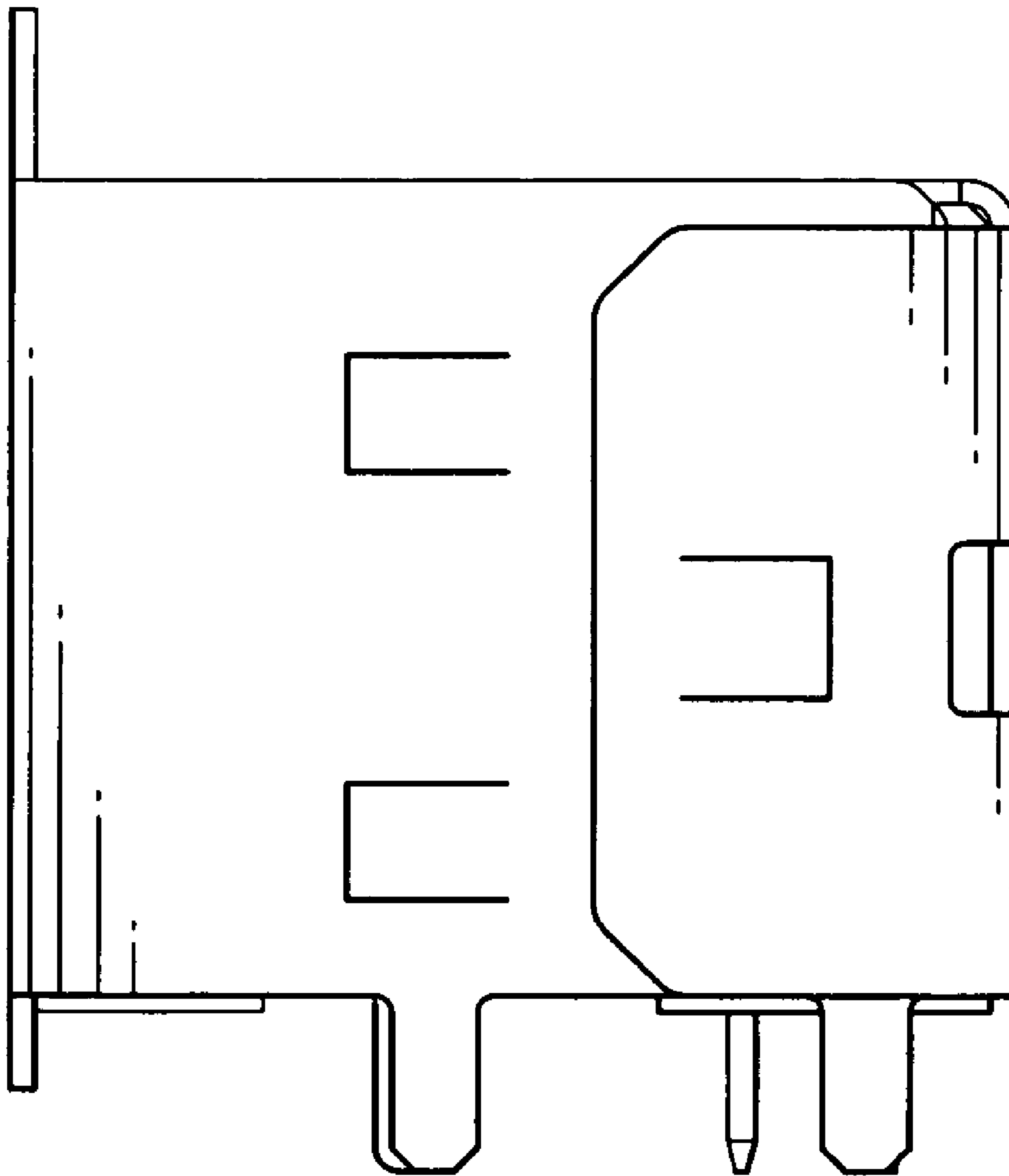


FIG. 5

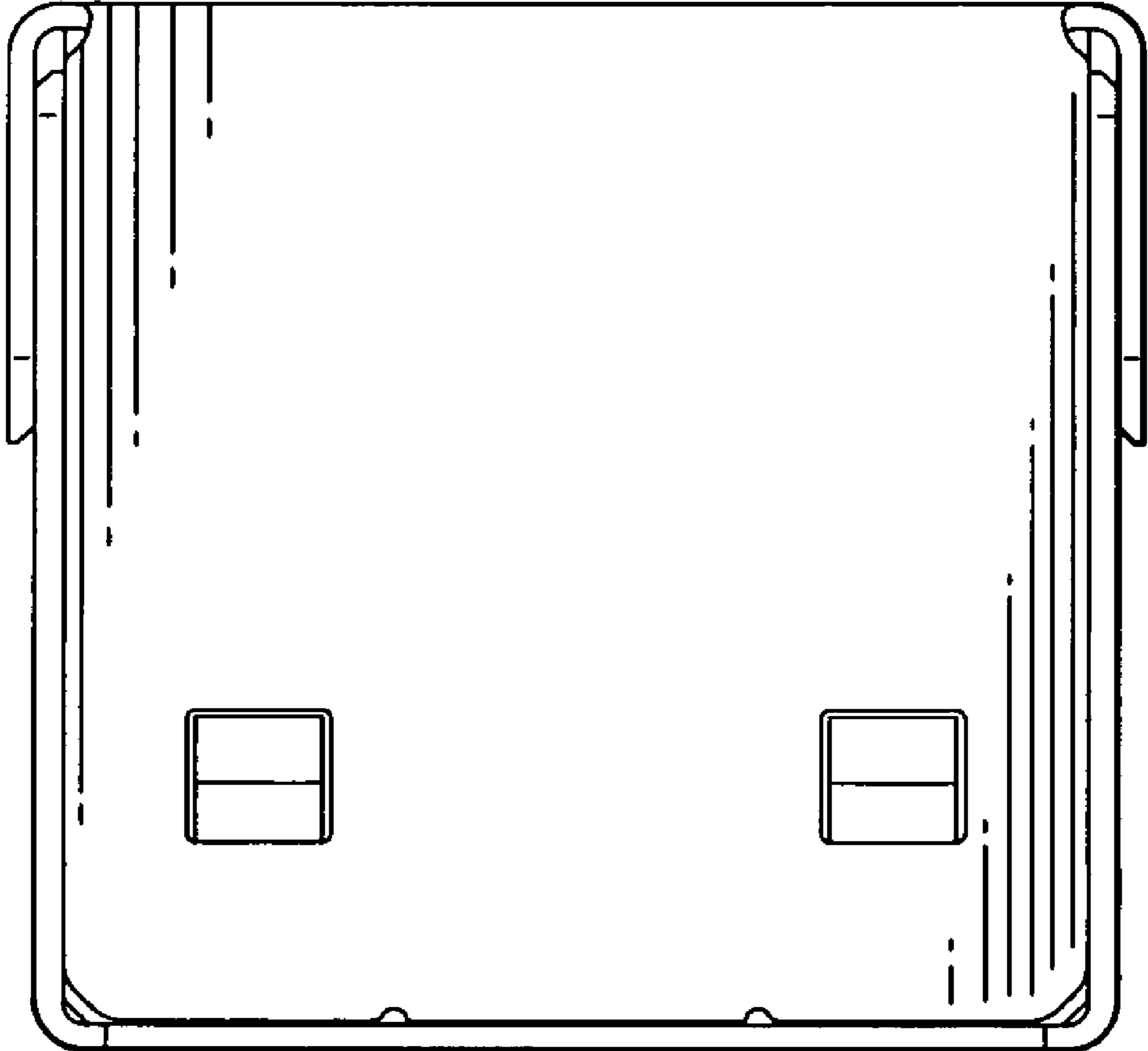


FIG. 6

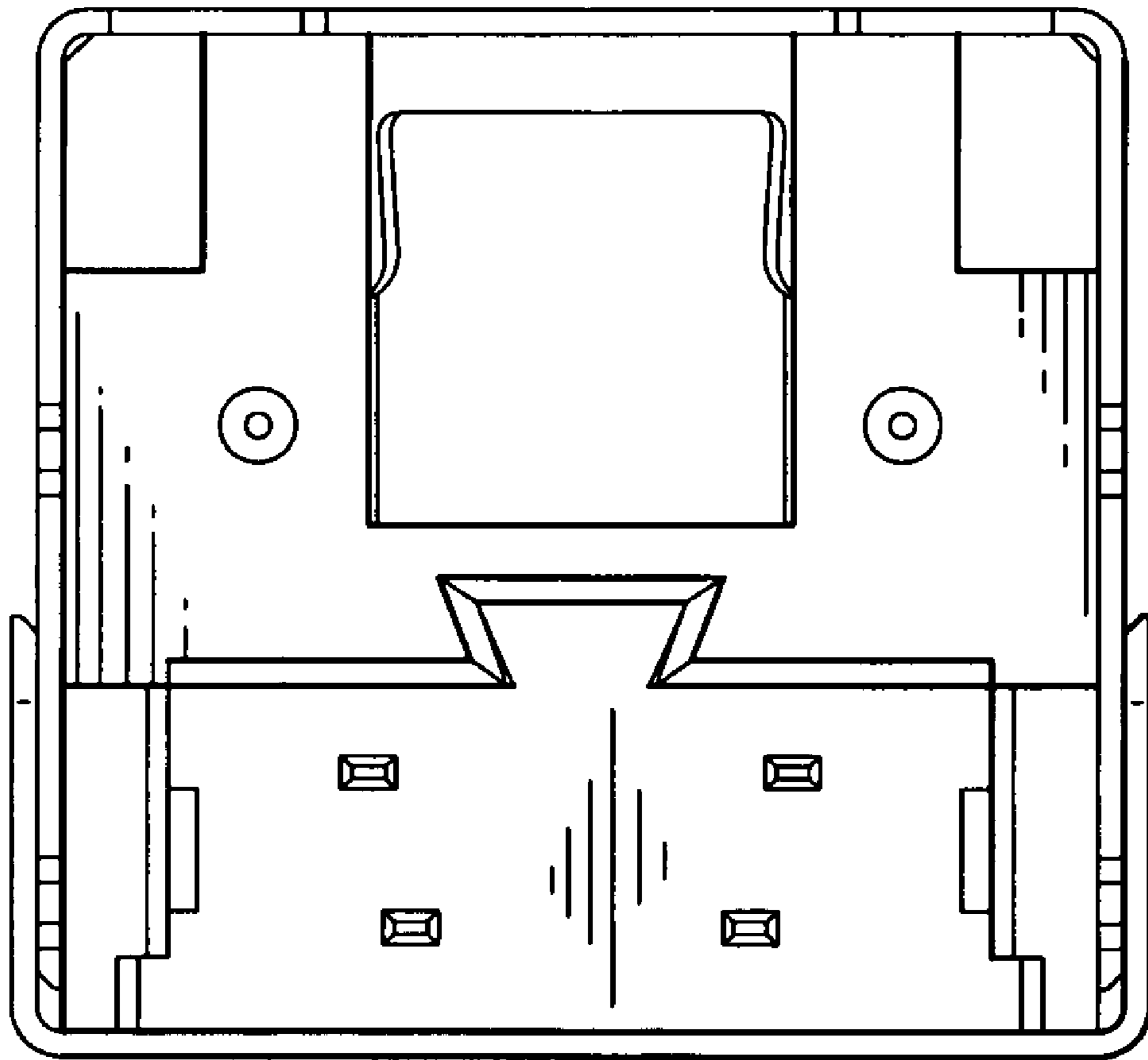


FIG. 7

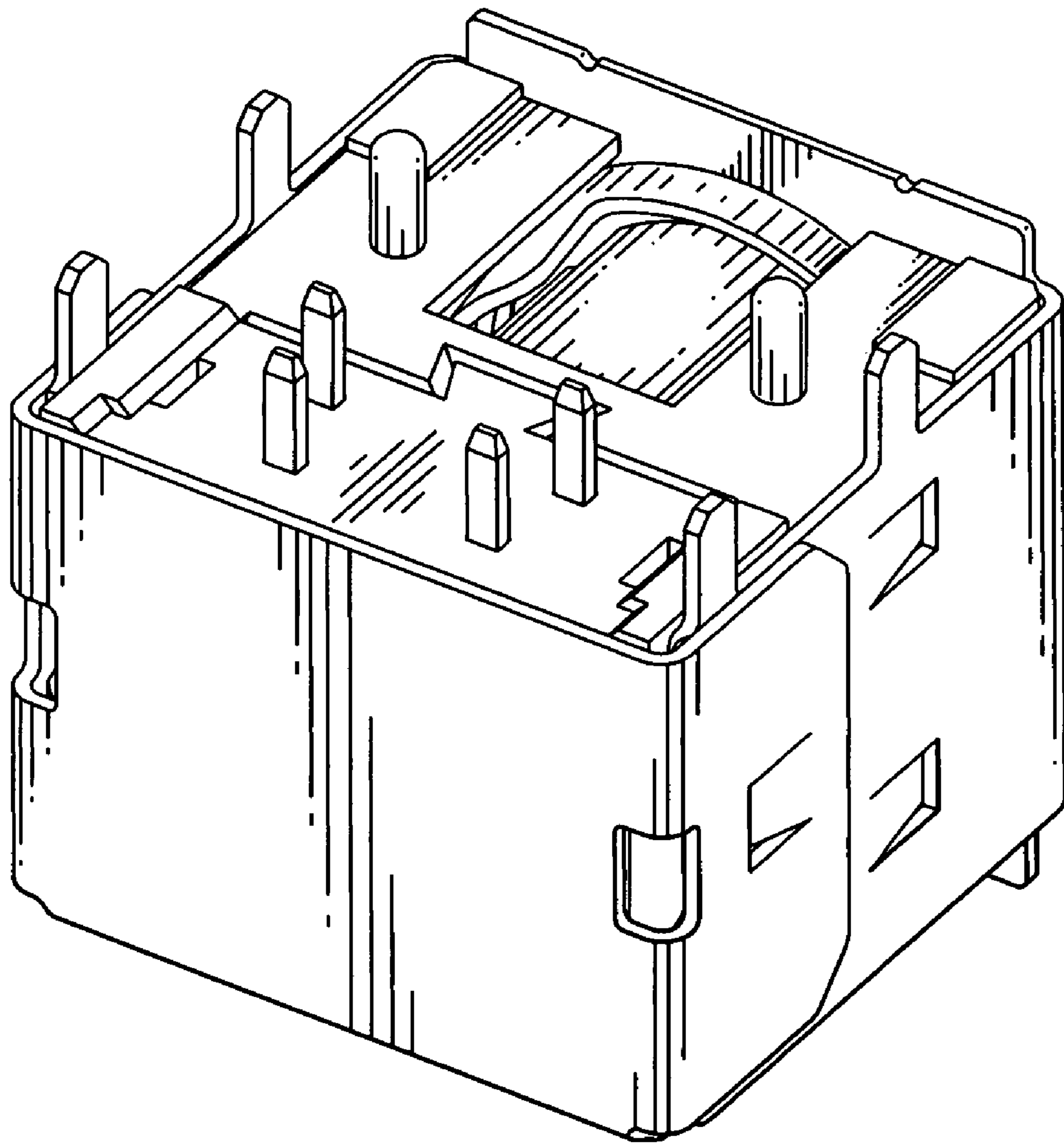


FIG. 8