



US00D576553S

(12) **United States Design Patent**
Lee et al.

(10) **Patent No.:** **US D576,553 S**

(45) **Date of Patent:** **** Sep. 9, 2008**

(54) **POWER CENTER**

(75) Inventors: **Noel Lee**, Las Vegas, NV (US);
Kendrew Lee, Fremont, CA (US)

(73) Assignee: **Monster Cable Products, Inc.**,
Brisbane, CA (US)

(**) Term: **14 Years**

(21) Appl. No.: **29/248,902**

(22) Filed: **Sep. 8, 2006**

(51) **LOC (8) Cl.** **13-03**

(52) **U.S. Cl.** **D13/139.6**

(58) **Field of Classification Search** D13/137.1,
D13/137.3, 137.4, 139.1, 139.4–139.8, 124,
D13/160, 162, 164, 178, 184; 439/106–108,
439/188, 535, 650–654

See application file for complete search history.

(56) **References Cited**

U.S. PATENT DOCUMENTS

D350,939 S *	9/1994	Rossman et al.	D13/139.8
D350,940 S *	9/1994	Rossman et al.	D13/139.8
D368,893 S *	4/1996	Harwood et al.	D13/139.8
D458,225 S *	6/2002	Stekelenburg	D13/139.8
D467,875 S *	12/2002	Barger et al.	D13/139.8
D484,098 S *	12/2003	Lee	D13/139.8
D549,656 S *	8/2007	Hsiao	D13/139.8
D554,064 S *	10/2007	Ng	D13/139.8

* cited by examiner

Primary Examiner—Jennifer Rivard
Assistant Examiner—Rosemary K Tarcza

(74) *Attorney, Agent, or Firm*—LaRiviere, Grubman & Payne, LLP

(57) **CLAIM**

The ornamental design for a power center, as shown and described in the accompanying drawings.

DESCRIPTION

A portion of the disclosure of this patent document contains material which is subject to copyright protection. The copyright owner has no objection to the facsimile reproduction by any one of the patent document or the patent disclosure, as it appears in the Patent and Trademark Office patent file or records, but otherwise reserves all copyright rights whatsoever.

FIG. 1 is a perspective view of a power center, in accordance with the present invention.

FIG. 2 is a top view of a power center in accordance with the present invention.

FIG. 3 is a bottom view of a power center, in accordance with the present invention.

FIG. 4 is a side view of a power center, in accordance with the present invention.

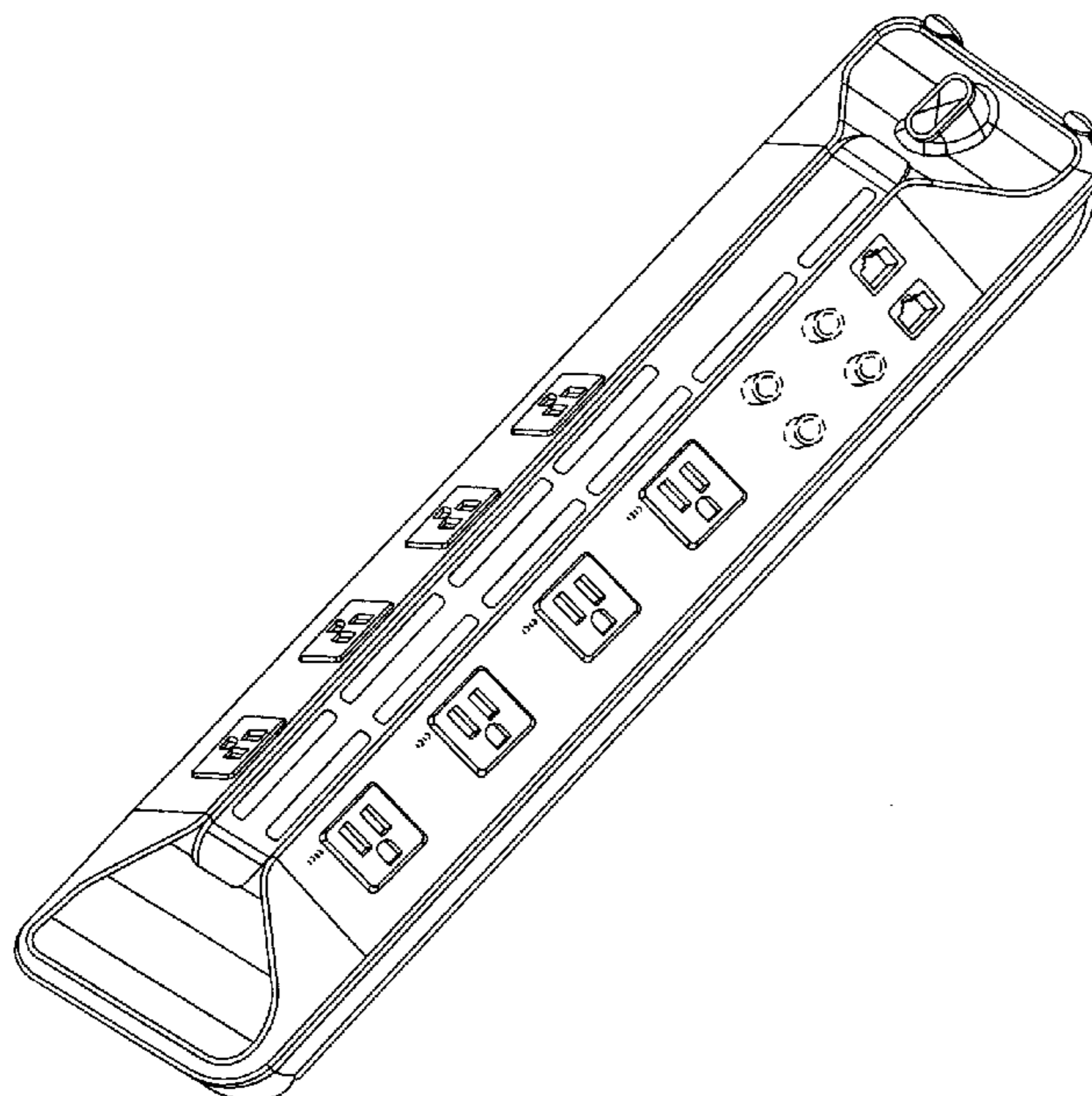
FIG. 5 is an opposing side view of a power center, in accordance with the present invention.

FIG. 6 is an end view of a power center, in accordance with the present invention; and,

FIG. 7 is an opposing end view of a power center, in accordance with the present invention.

The broken lines showing the environment in the Figures are for illustrative purposes only and form no part of the claimed design.

1 Claim, 4 Drawing Sheets



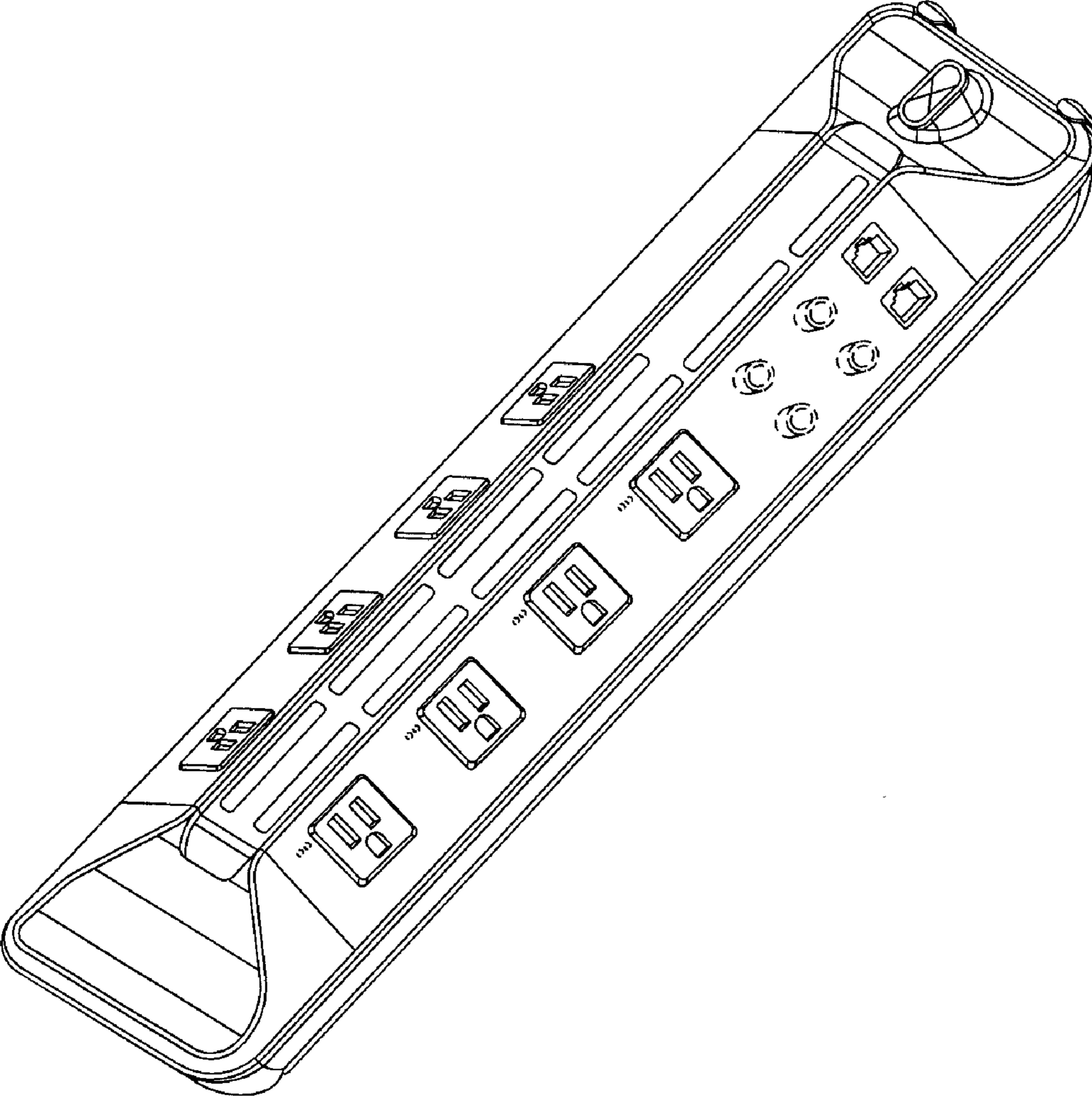


Figure 1

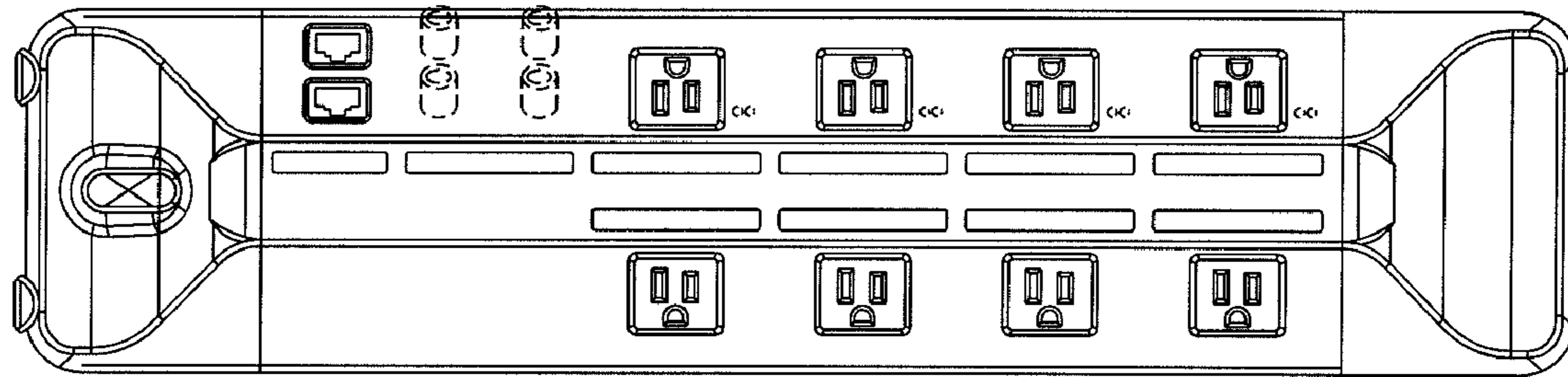


Figure 2

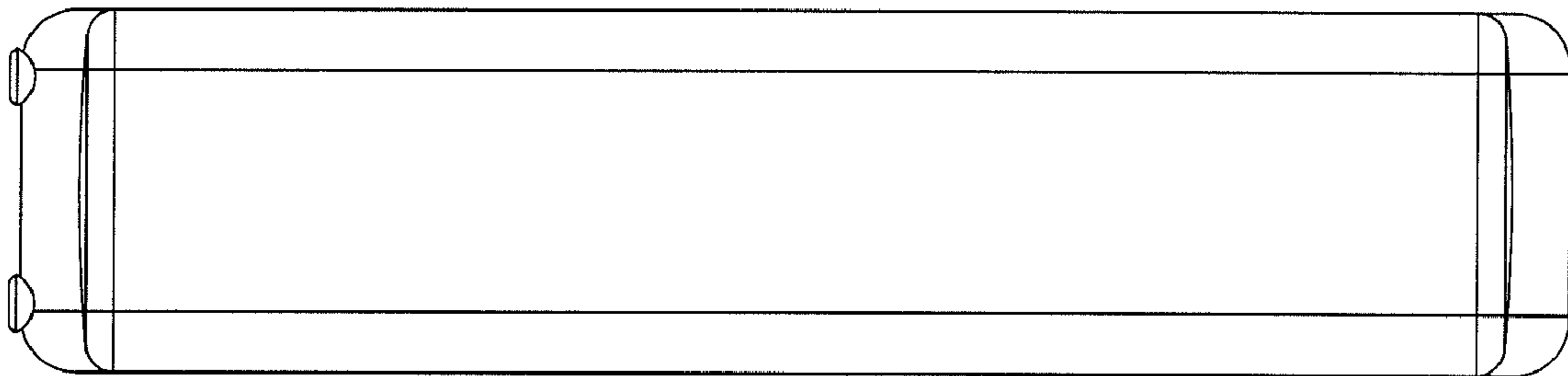


Figure 3

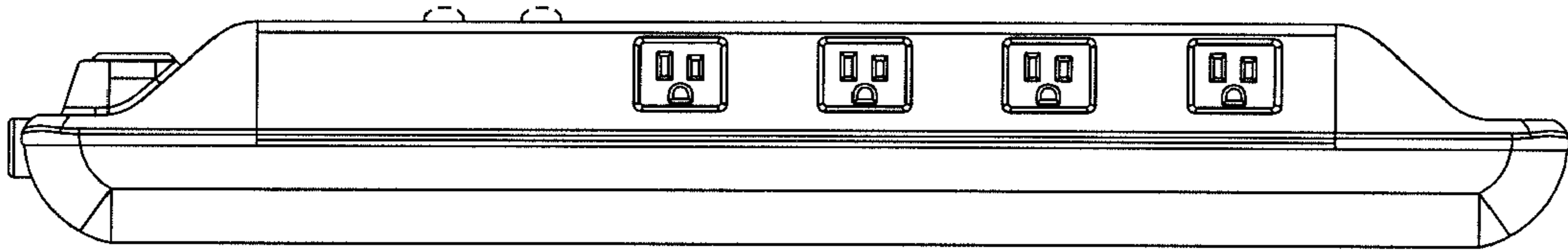


Figure 4

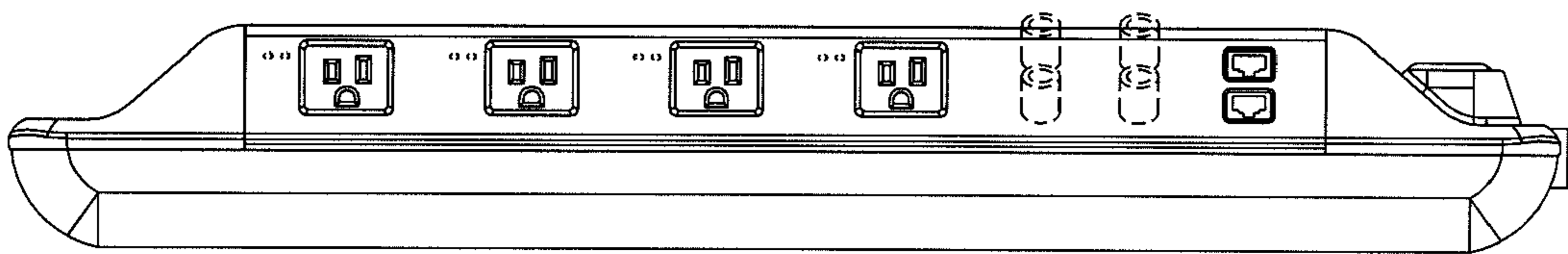


Figure 5

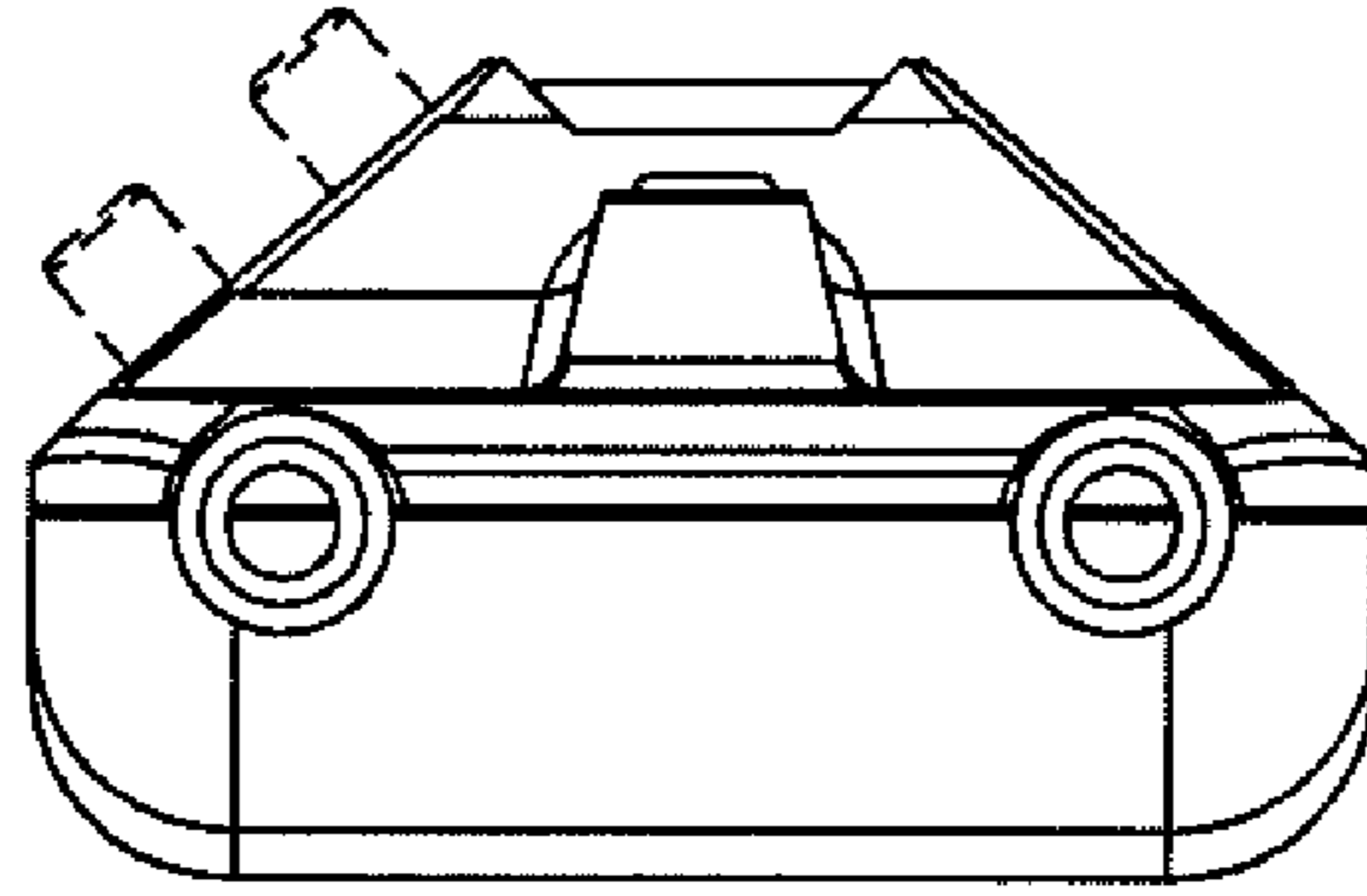


Figure 6

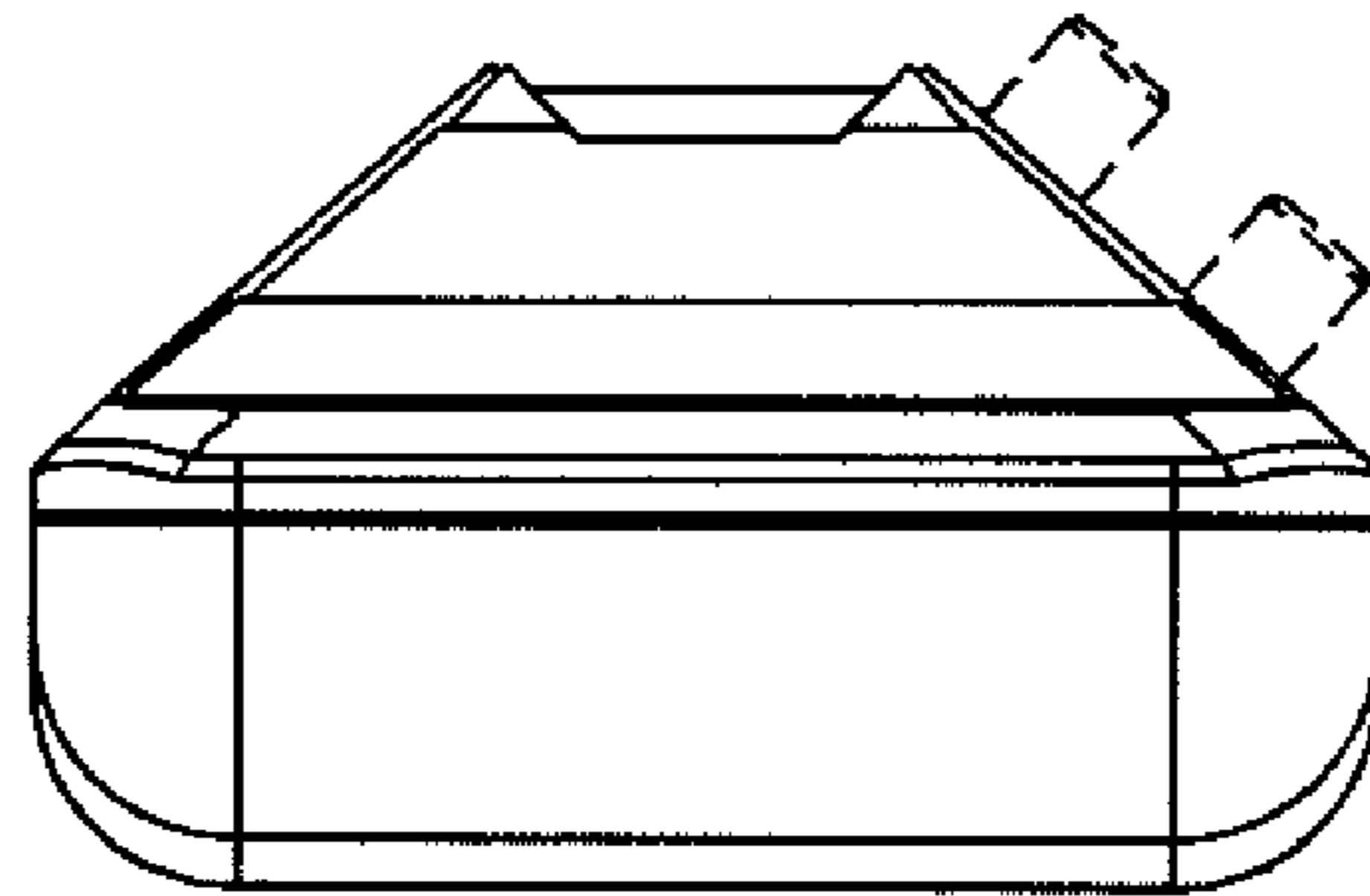


Figure 7