



US00D576552S

(12) **United States Design Patent**
Caine et al.

(10) **Patent No.:** **US D576,552 S**
(45) **Date of Patent:** **** Sep. 9, 2008**

(54) **ELECTRICAL ADAPTER WITH INDICATOR LIGHT**

Reverse Adapter, Cat. # 55-8824, Stagparkway 2001 RV Parts & Accessories, p. 225, Atlanta, GA.

(75) Inventors: **Donald R. Caine**, Greensboro, NC (US);
Jeffrey R. Russell, Winston Salem, NC (US);
Anthony D. Moore, Summerfield, NC (US);
Clay D. Price, Stokesdale, NC (US)

(Continued)

Primary Examiner—Jennifer Rivard
Assistant Examiner—Rosemary K Tarcza

(73) Assignee: **Camco Manufacturing, Inc.**,
Greensboro, NC (US)

(57) **CLAIM**

The ornamental design for an electrical adapter with indicator light, as shown and described.

(**) Term: **14 Years**

DESCRIPTION

(21) Appl. No.: **29/294,470**

FIG. 1 is a top, left front perspective view of an electrical adapter with indicator light showing Embodiment 1 of our design;

(22) Filed: **Jan. 11, 2008**

FIG. 2 is a top, right back perspective view of same electrical adapter with indicator light as in FIG. 1 embodying our design;

Related U.S. Application Data

(62) Division of application No. 29/245,954, filed on Dec. 30, 2005, now Pat. No. Des. 564,964.

FIG. 3 is a top plan view thereof;

(51) **LOC (8) Cl.** **13-03**

FIG. 4 is a bottom plan view thereof;

(52) **U.S. Cl.** **D13/137.2**

FIG. 5 is front side elevational view thereof;

(58) **Field of Classification Search** .. D13/137.1–137.4,
D13/138.1, 138.2, 139.1, 139.6–139.8, 133,
D13/154, 156; 439/171–172, 140, 160, 164,
439/135–138, 446, 131, 606, 105–106, 11,
439/13, 31, 650–655, 628, 476.1, 478, 480,
439/483–484, 696, 692, 645–646; 174/53–58;
337/197–198

FIG. 6 is a back side elevational view thereof;

Fig. 7 is a left side elevational view thereof;

FIG. 8 is a right side elevational view thereof;

FIG. 9 is a top, left front perspective view of an electrical adapter with indicator light showing Embodiment 2 of our design;

See application file for complete search history.

FIG. 10 is a top, right back perspective view of same electrical adapter with indicator light as in FIG. 9 embodying our design;

(56) **References Cited**

U.S. PATENT DOCUMENTS

D80,102 S 12/1929 Muldoon

FIG. 11 is a top plan view thereof;

FIG. 12 is a bottom plan view thereof;

(Continued)

FIG. 13 is a front side elevational view thereof;

OTHER PUBLICATIONS

FIG. 14 is a back side elevational view thereof;

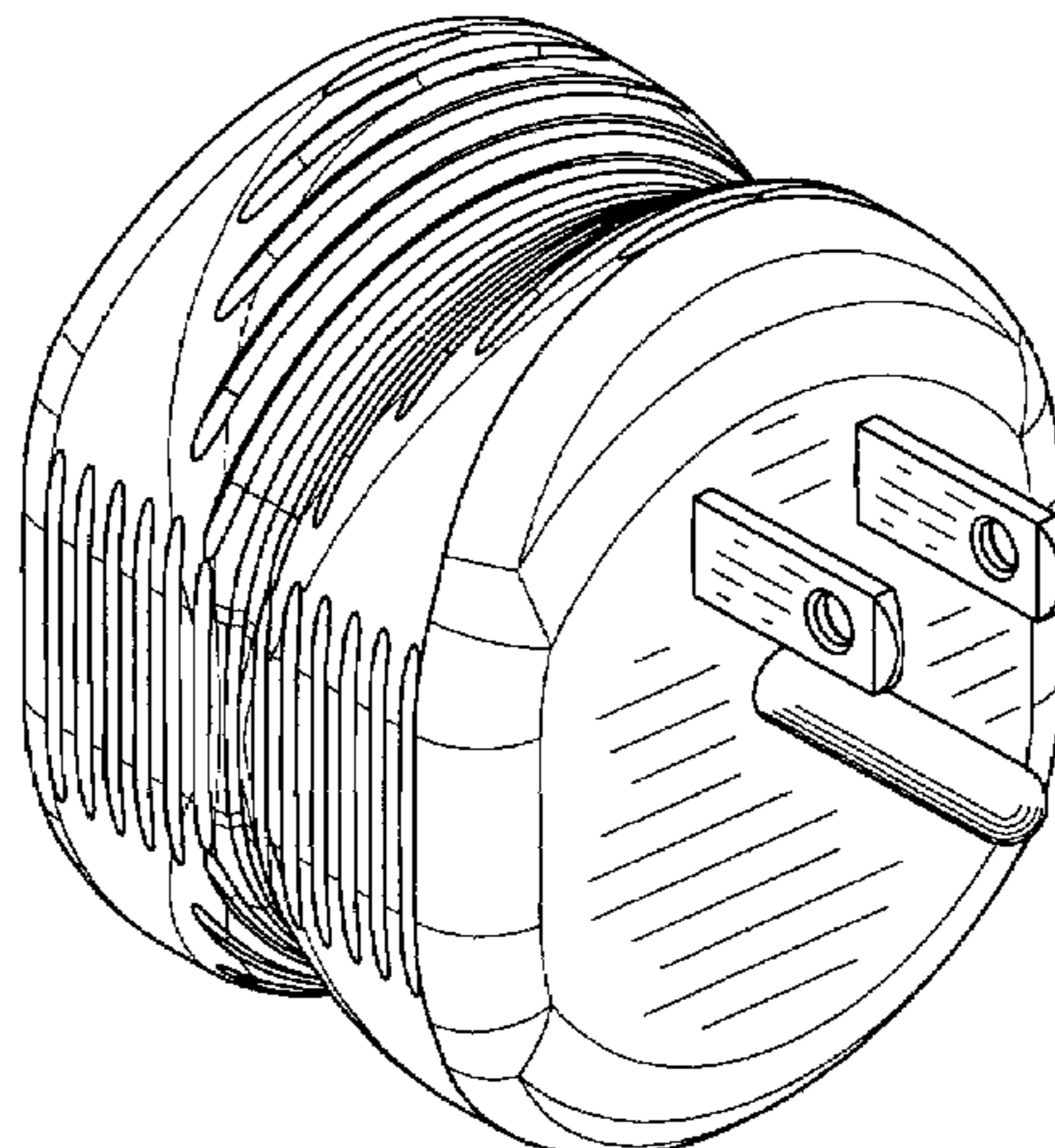
30-15 Adapter, Cat. # 55-8827, Stagparkway 2001 RV Parts & Accessories, p. 225, Atlanta, GA.

FIG. 15 is a left side elevational view thereof; and,

30-15 Adapter, Cat. # 55-9648, Stagparkway 2001 RV Parts & Accessories, p. 225, Atlanta, GA.

FIG. 16 is a right side elevational view thereof.

1 Claim, 8 Drawing Sheets



US D576,552 S

Page 2

U.S. PATENT DOCUMENTS

D86,613 S 3/1932 Lauter
D127,010 S * 5/1941 Judisch D13/137.1
2,500,987 A 3/1950 Harpster
2,636,096 A 4/1953 Di Blasi
D194,105 S 11/1962 More
D251,293 S 3/1979 Trueblood
D277,370 S 1/1985 Gehr et al.
D292,700 S * 11/1987 Rauch D13/137.1
D375,292 S * 11/1996 D'Amato D13/137.1

D376,129 S * 12/1996 Muller et al. D13/137.1
D462,056 S * 8/2002 Chung D13/137.1
D523,811 S * 6/2006 Pinson D13/137.2

OTHER PUBLICATIONS

Reverse Adapter, Cat. # 55-8823, Stagparkway 2001 RV Parts & Accessories, p. 225, Atlanta, GA.
AD 30/20 Adapter, Cat. # 55-8828, Stagparkway 2001 RV Parts & Accessories, p. 225, Atlanta, GA.

* cited by examiner

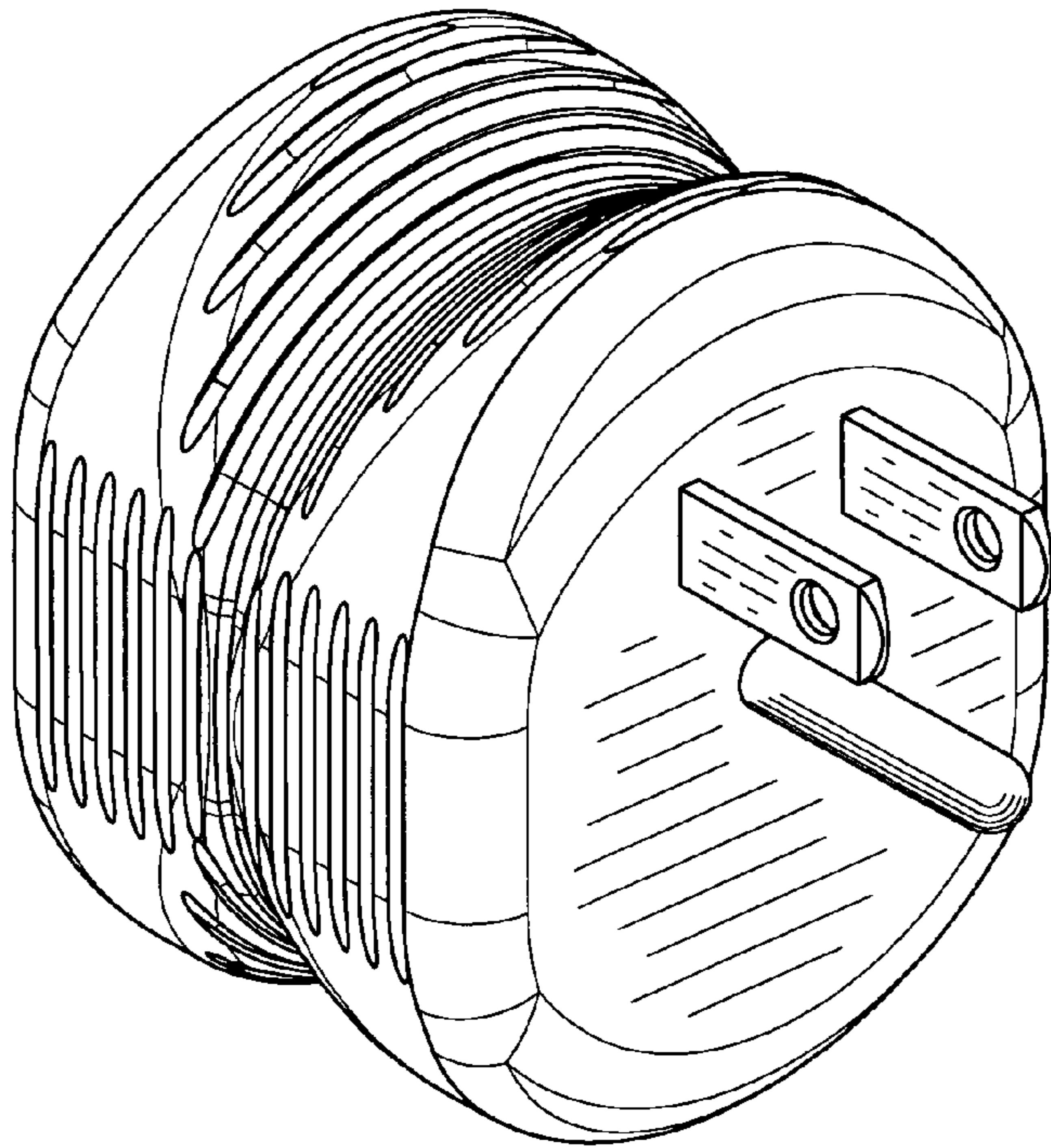


FIG. 1

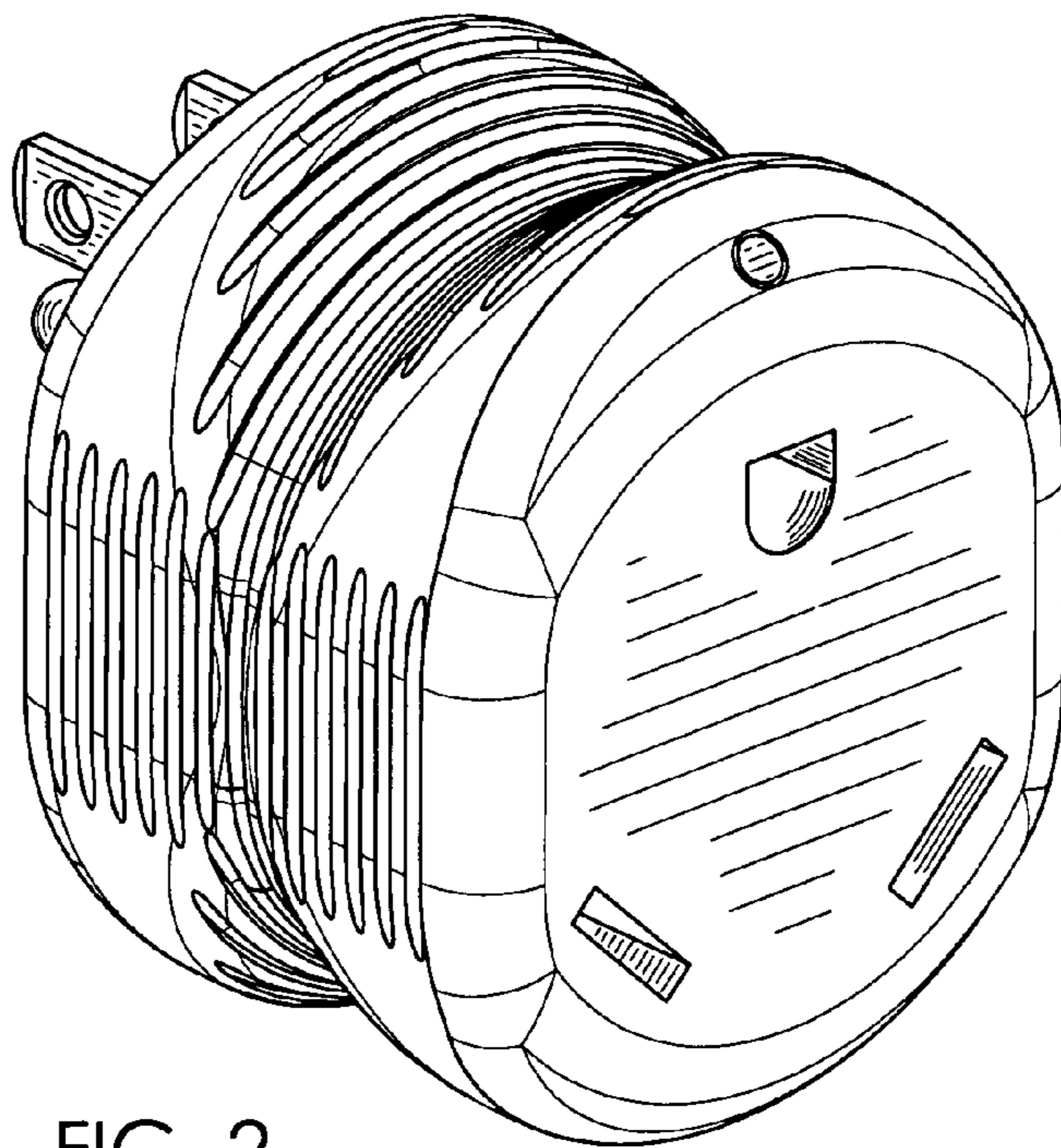


FIG. 2

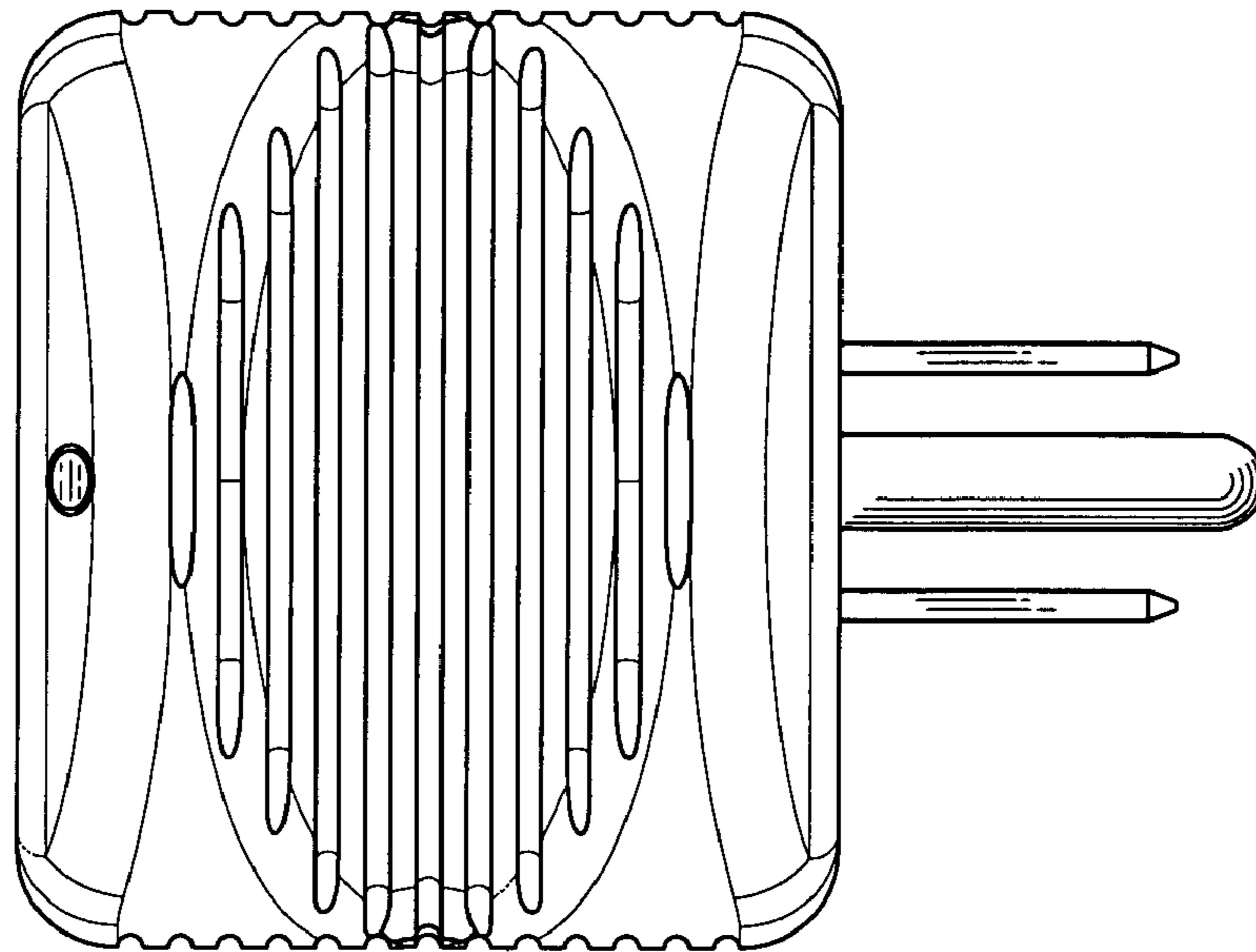


FIG. 3

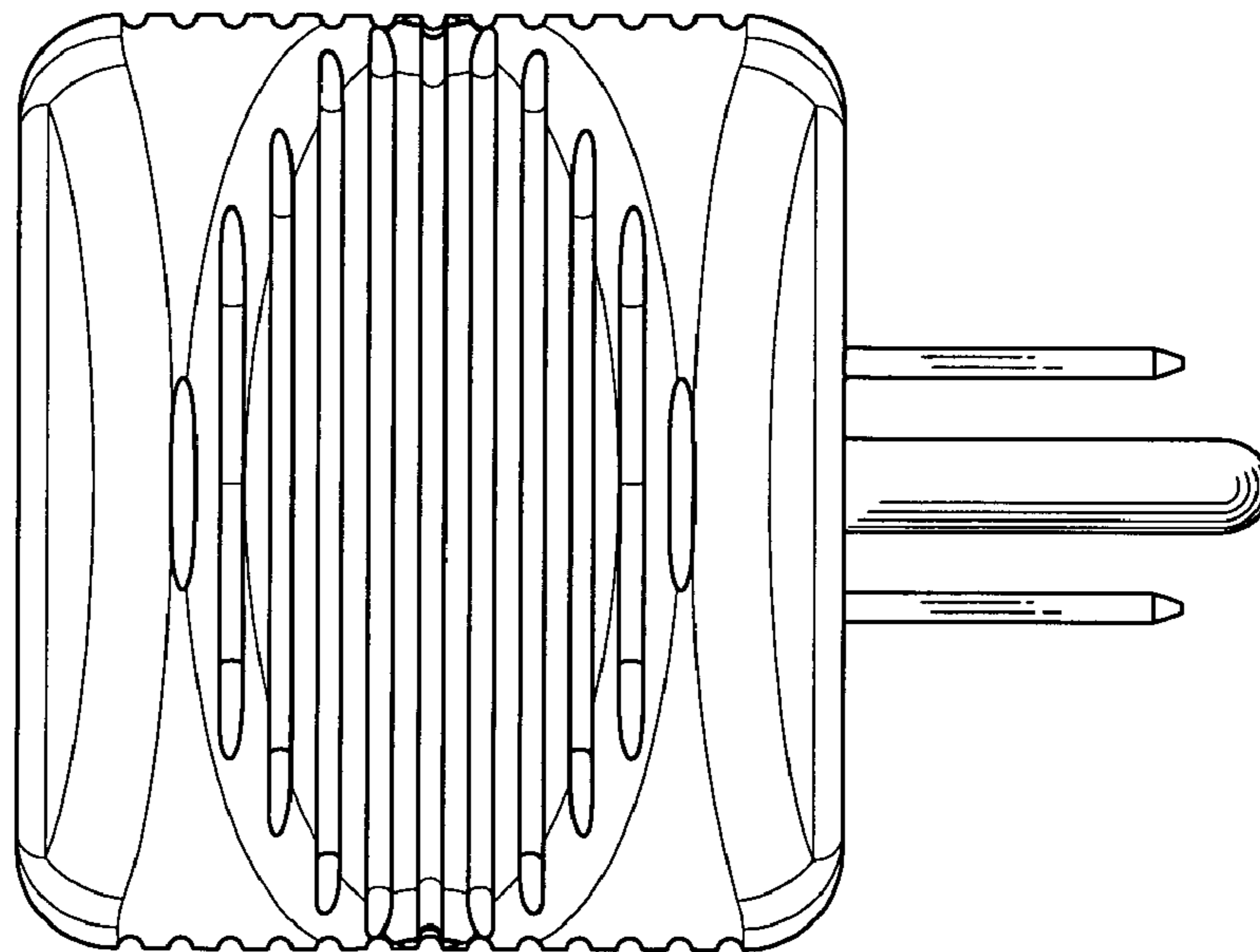


FIG. 4

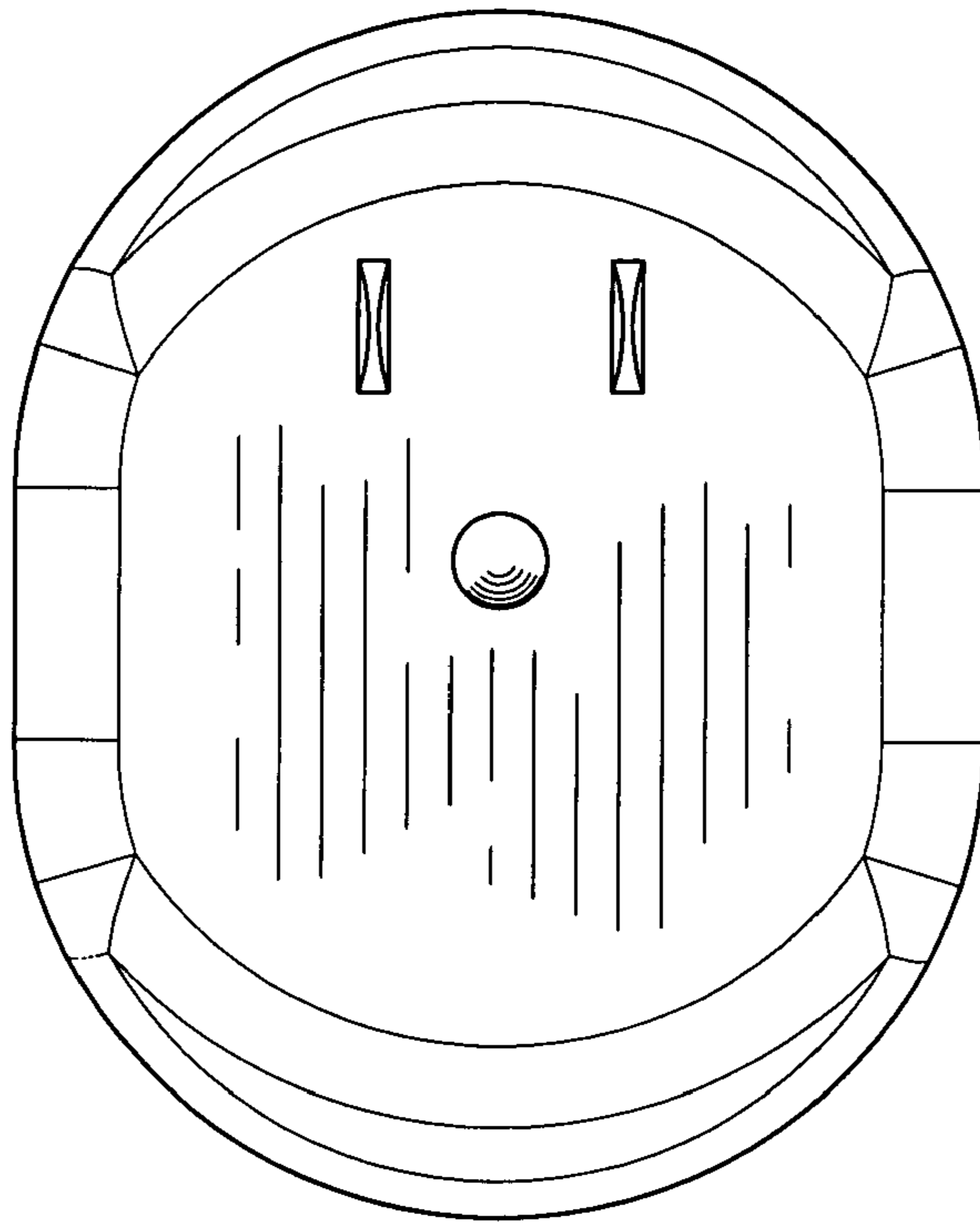


FIG. 5

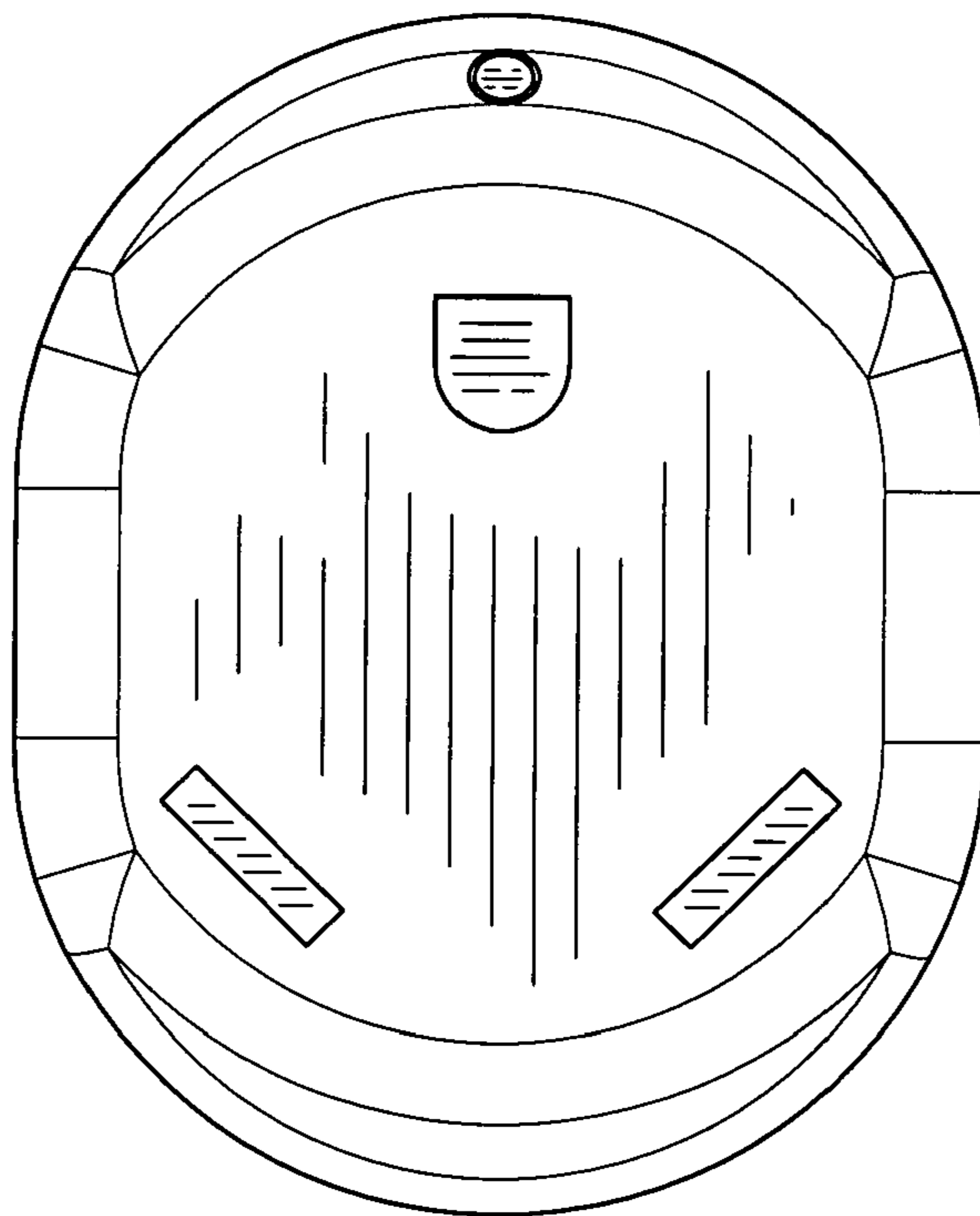


FIG. 6

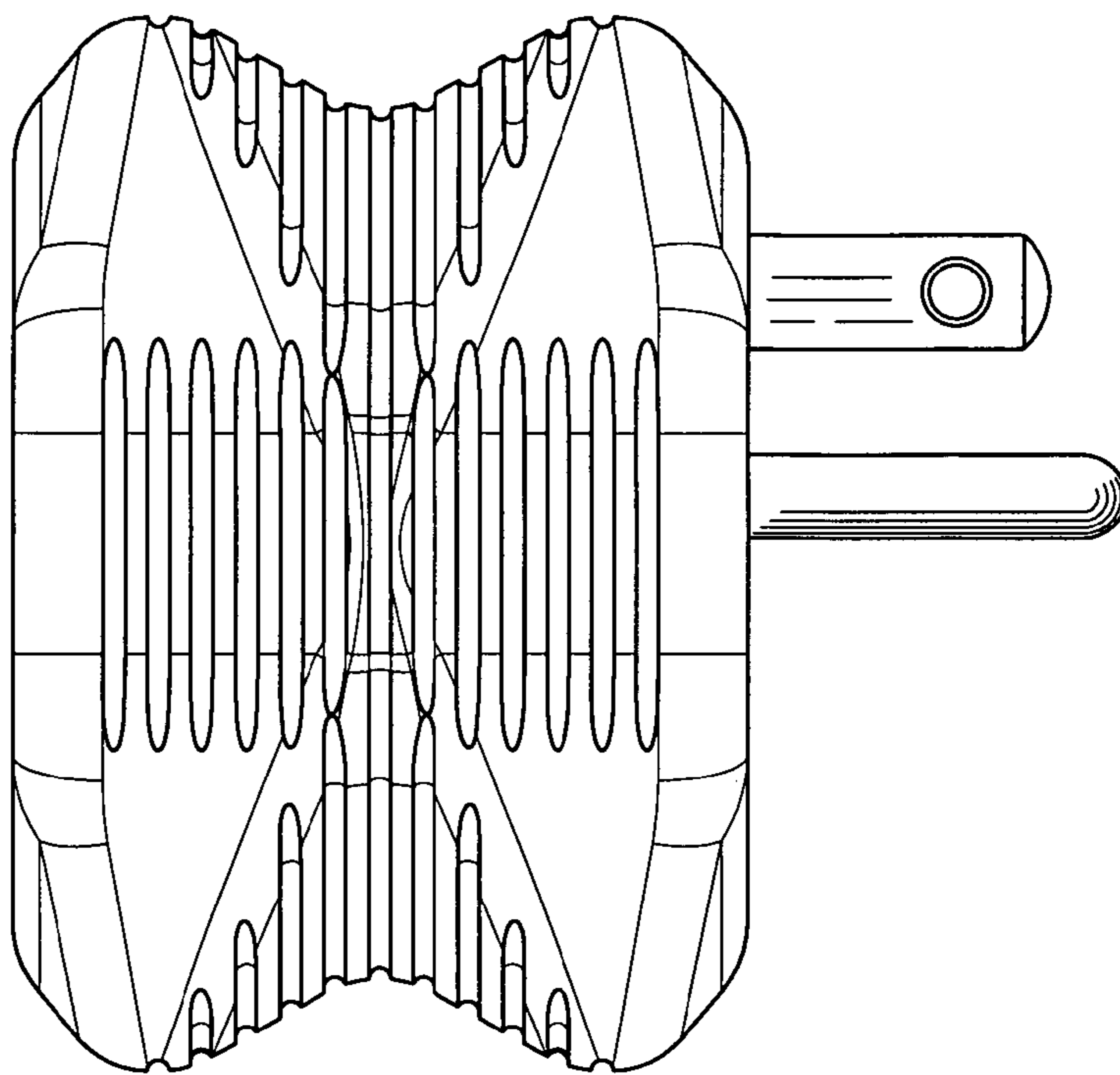


FIG. 7

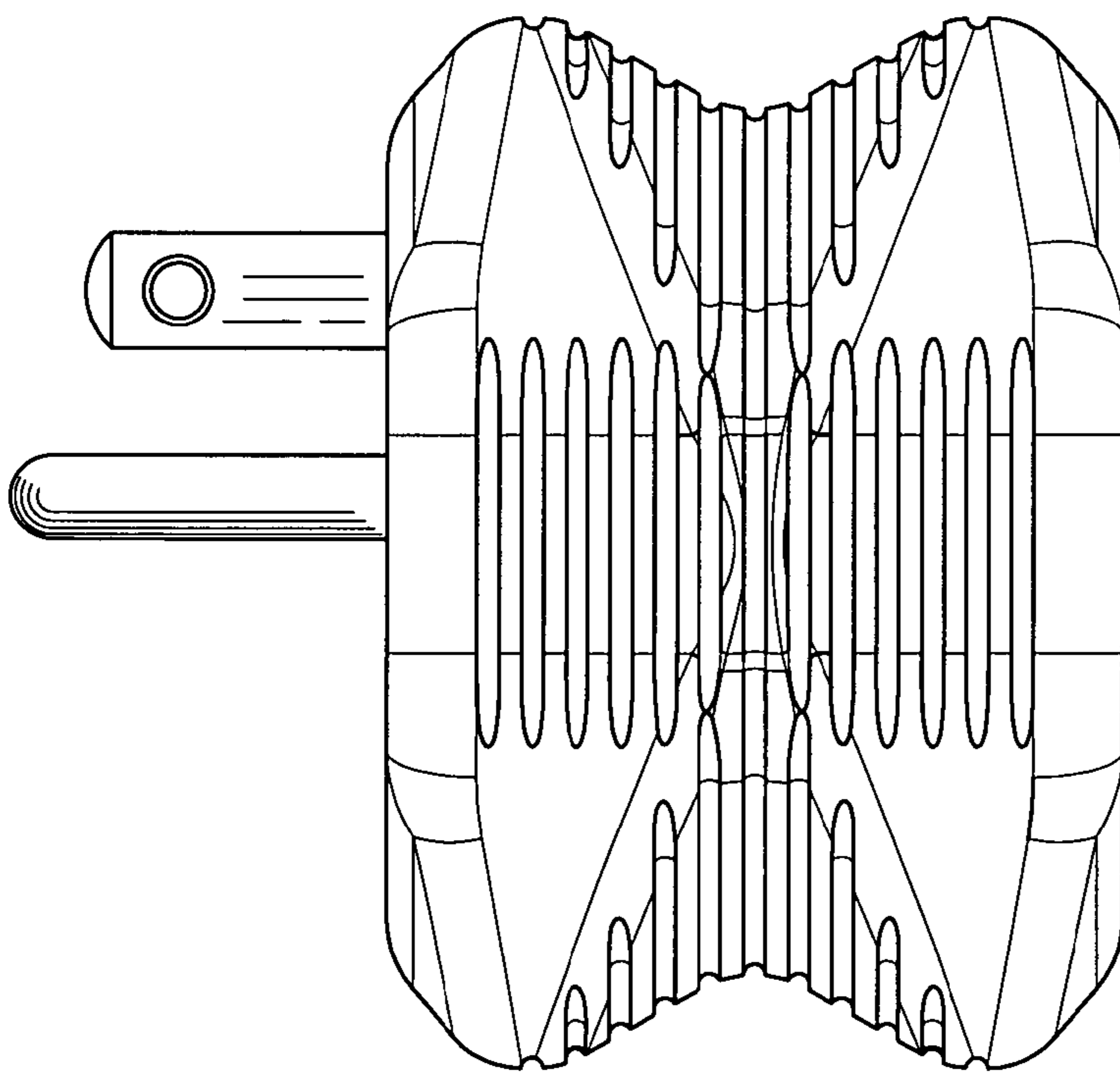


FIG. 8

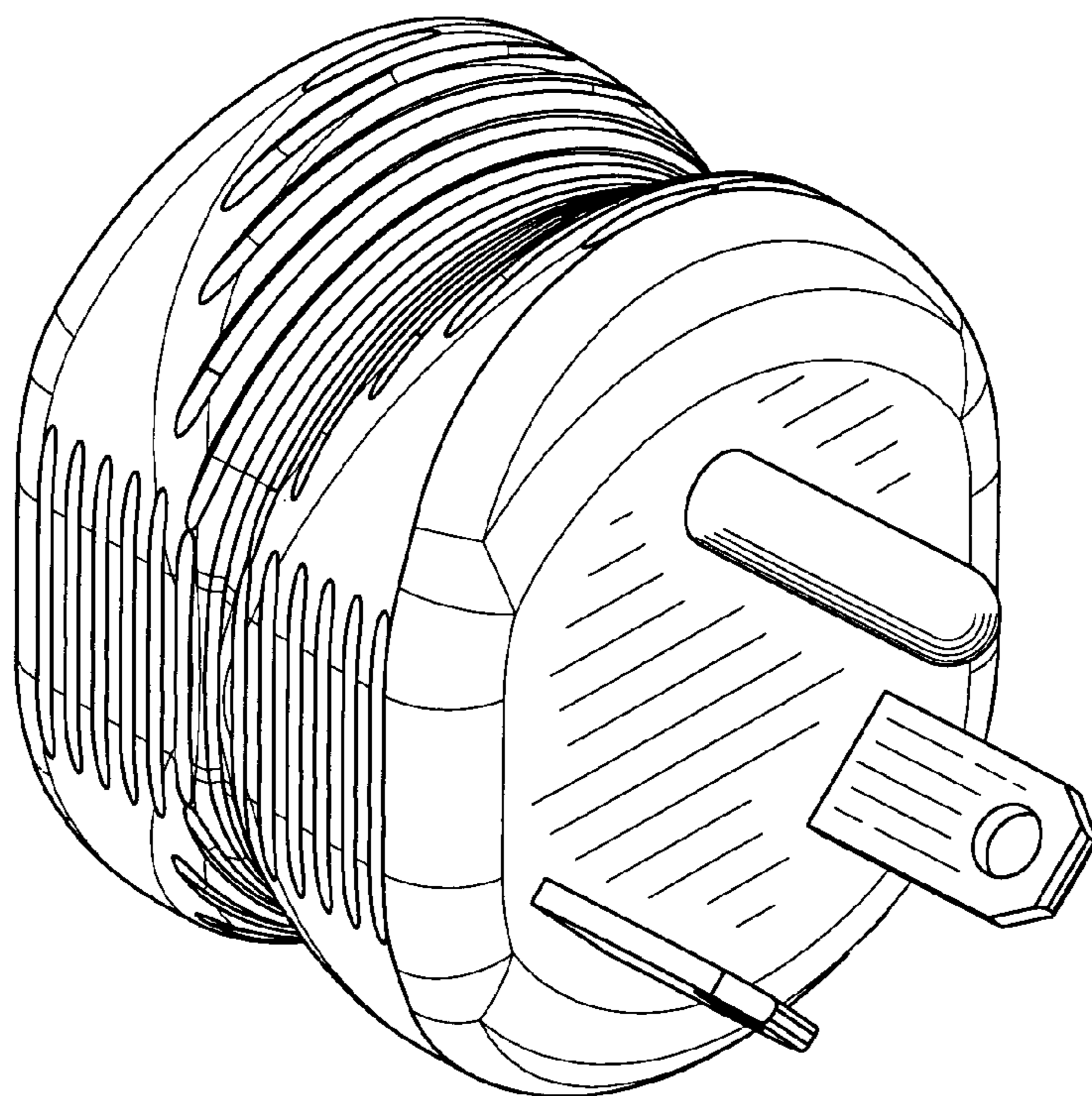


FIG. 9

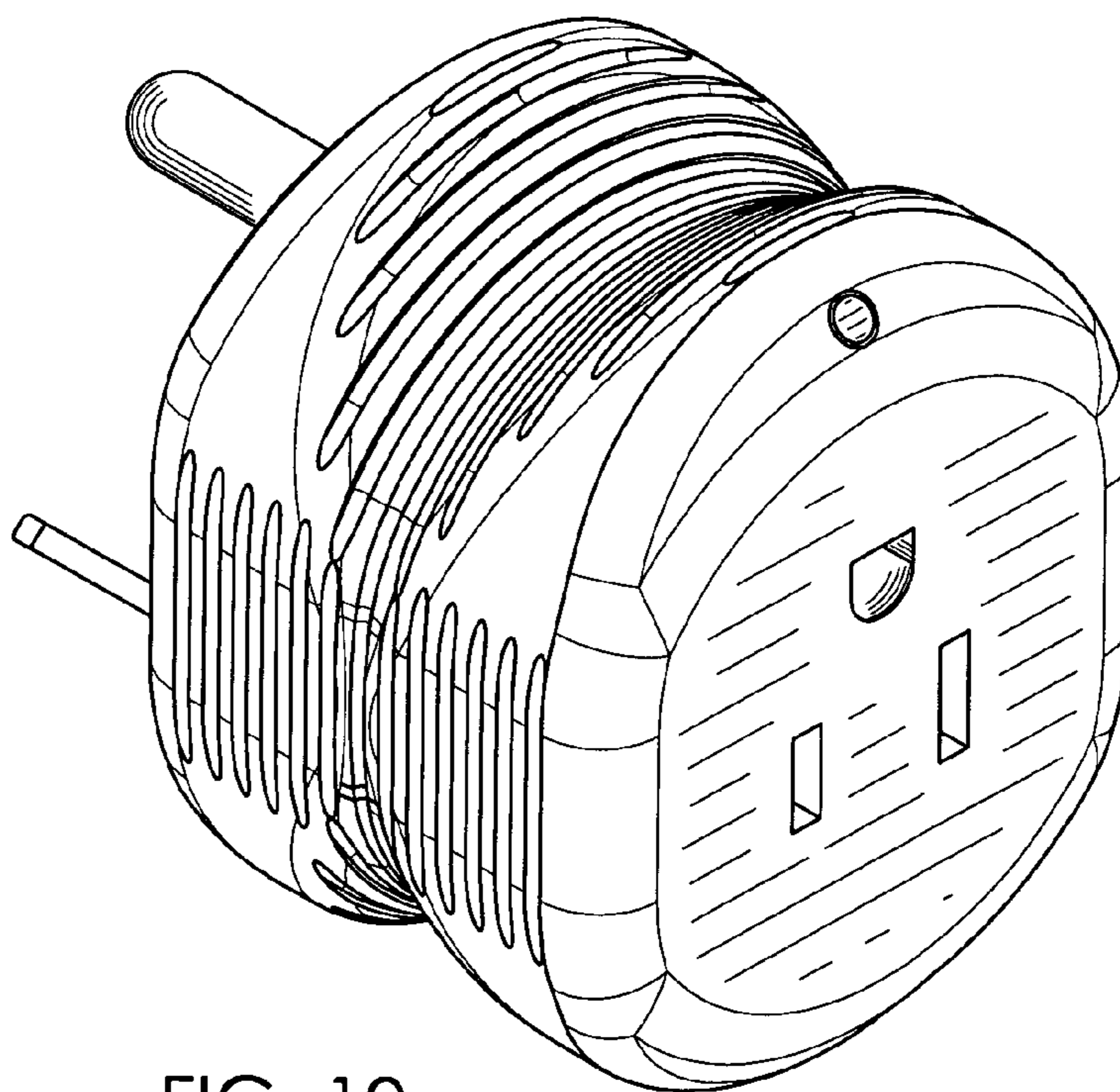


FIG. 10

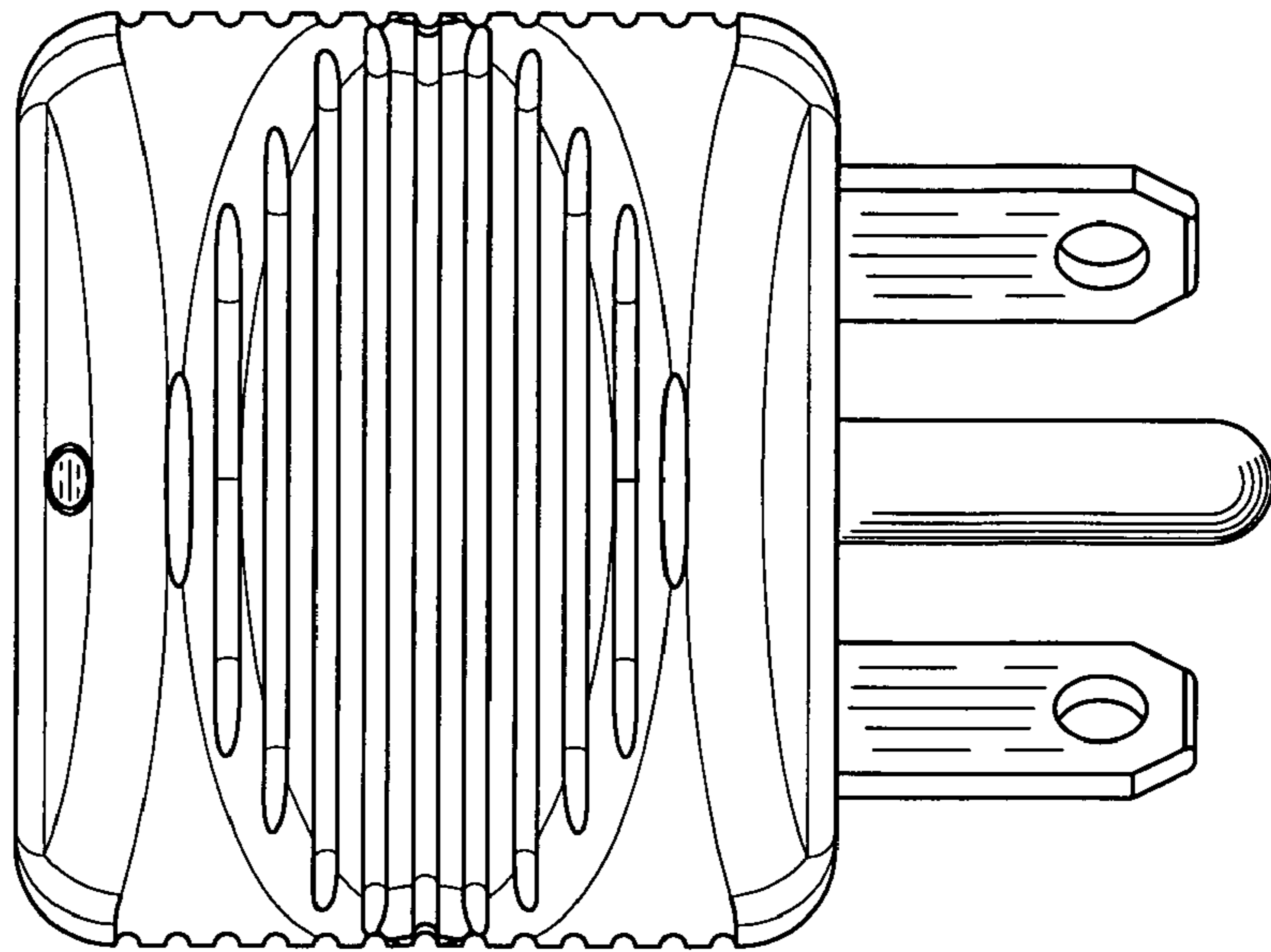


FIG. 11

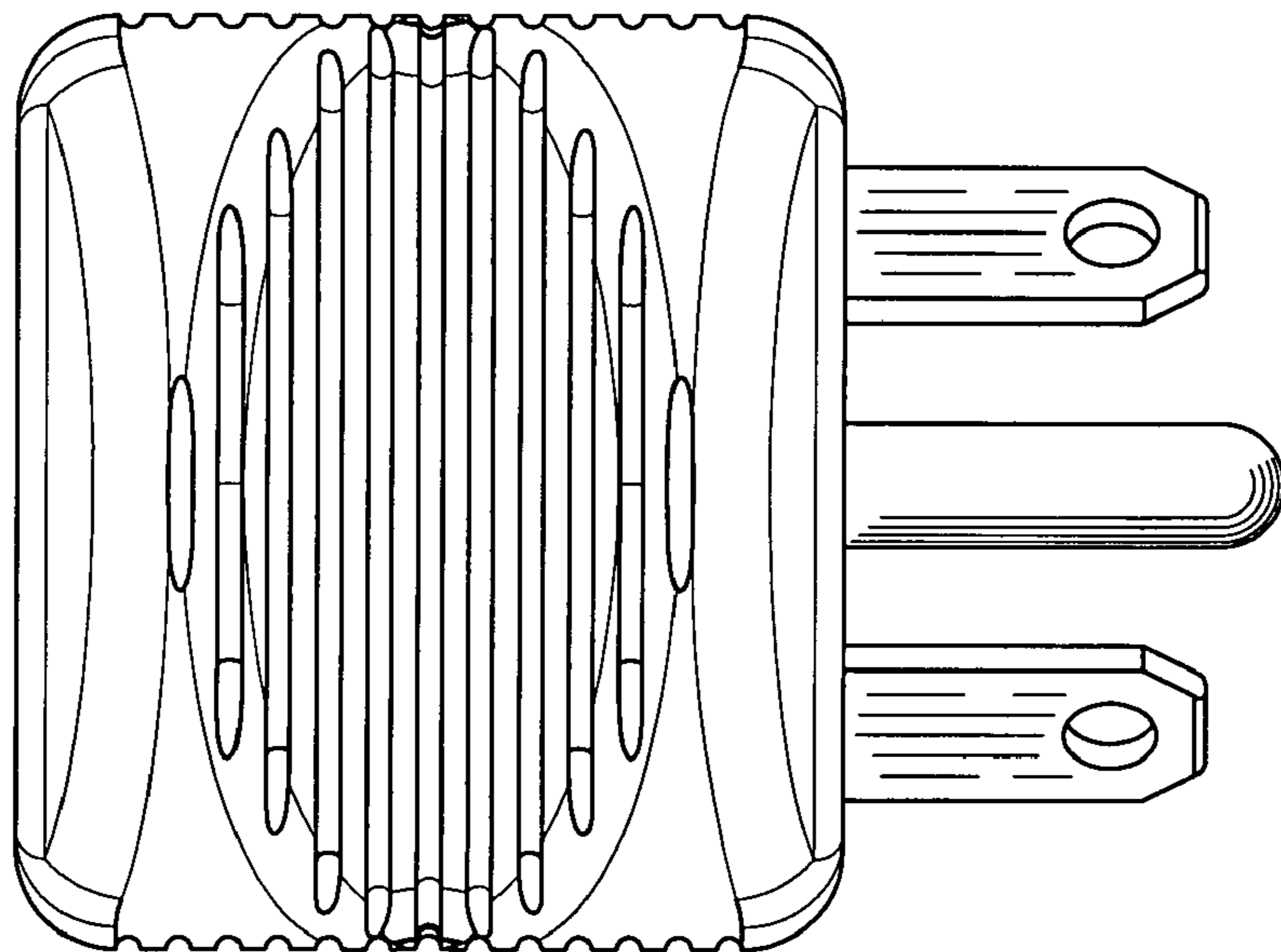


FIG. 12

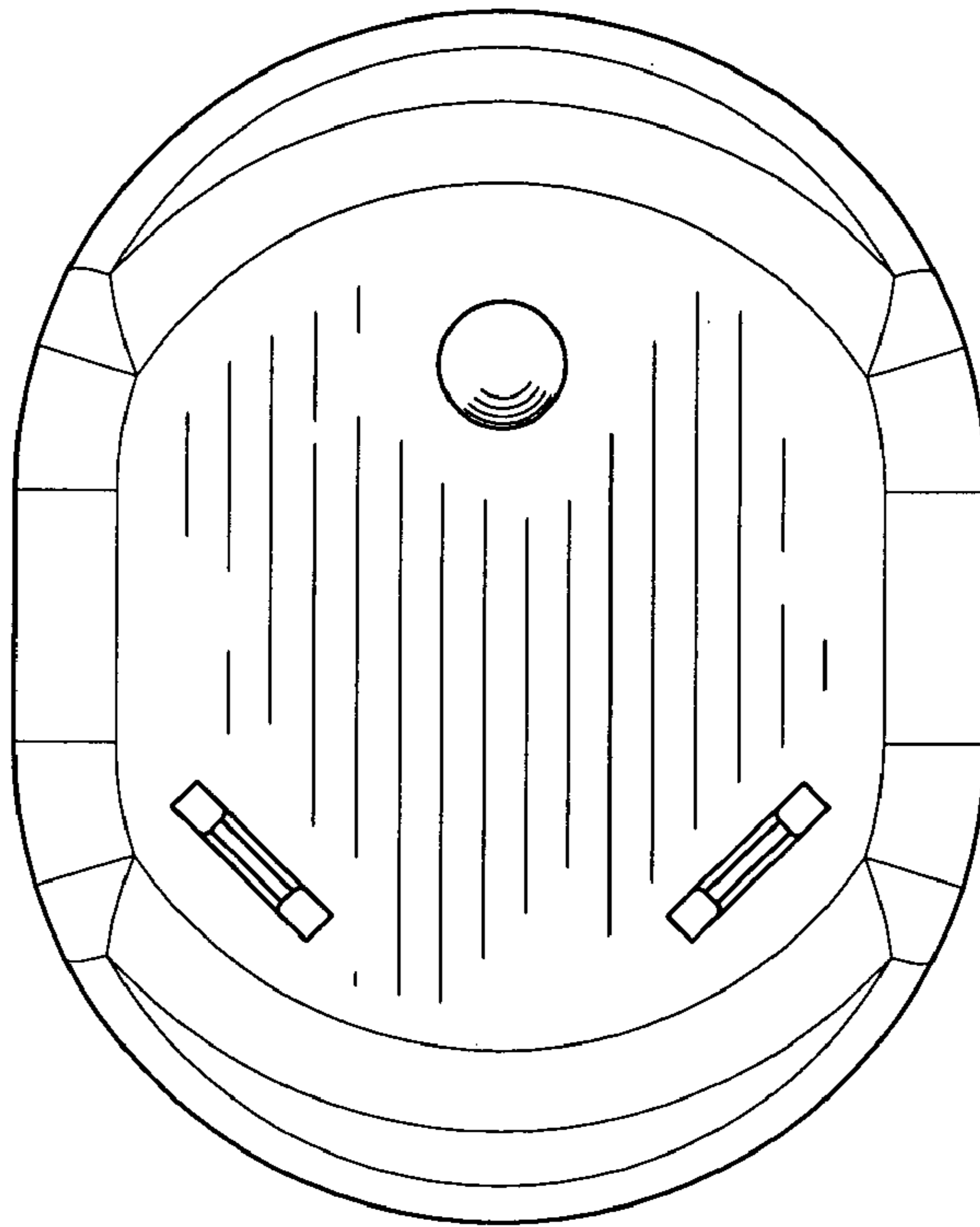


FIG. 13

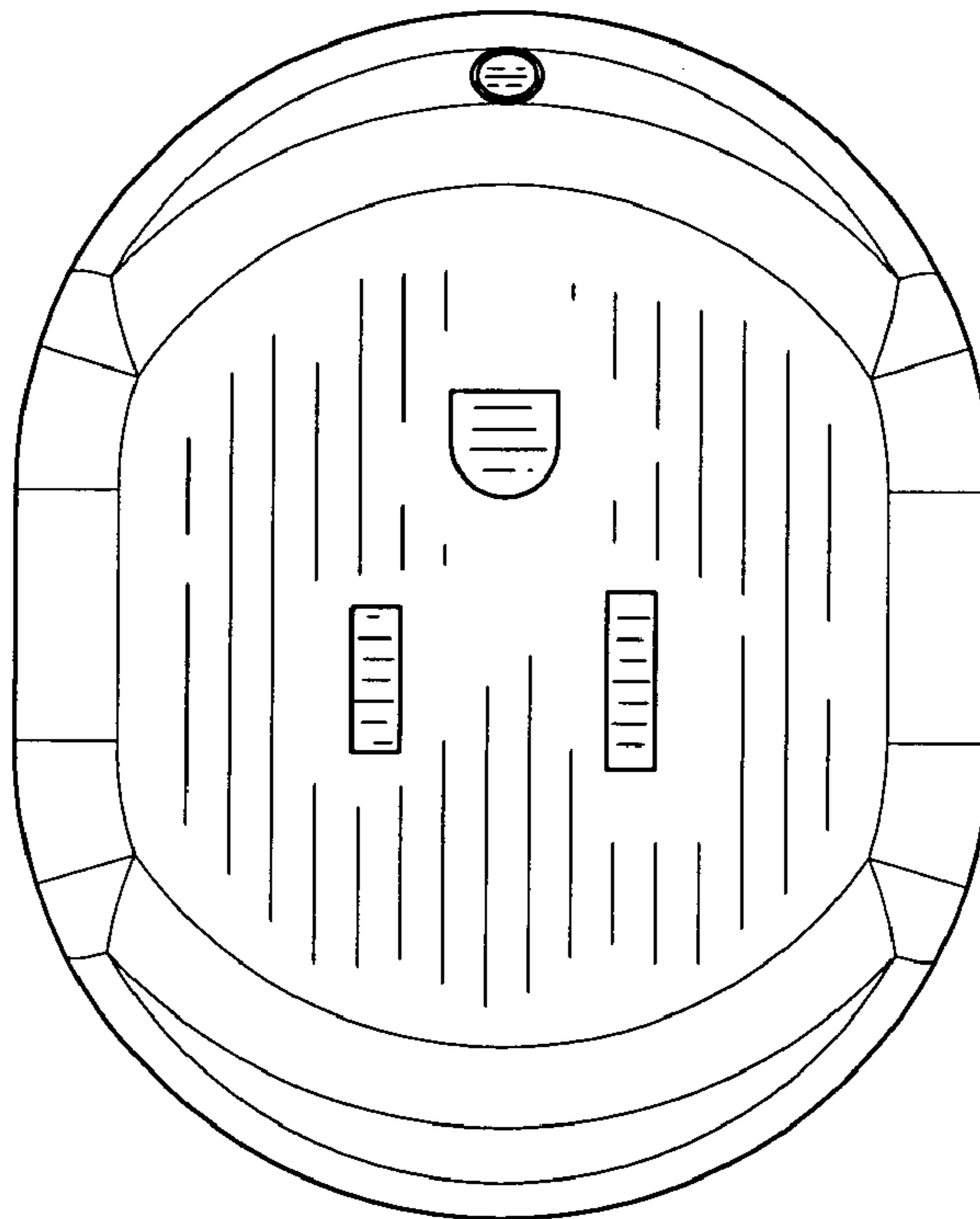


FIG. 14

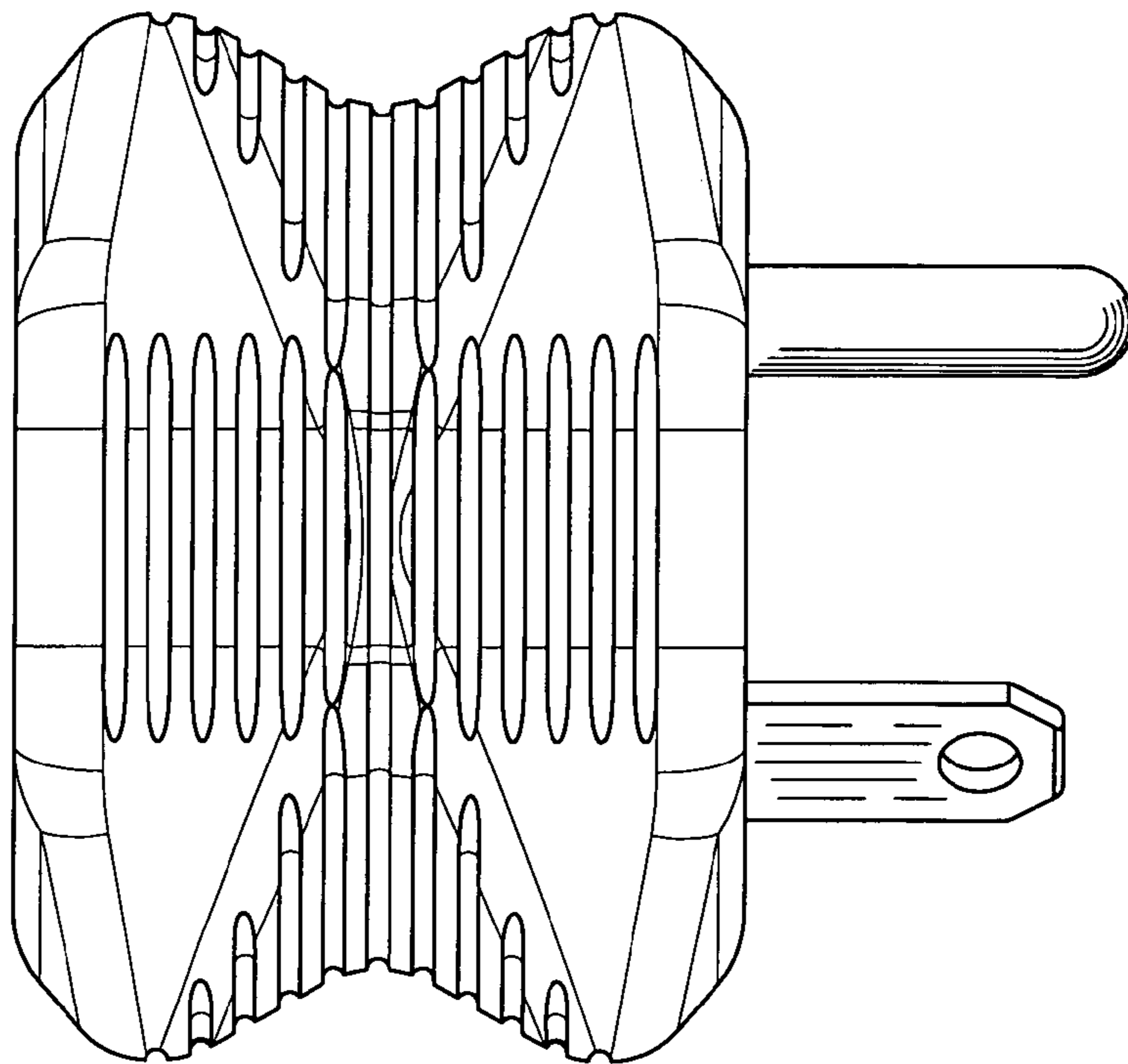


FIG. 15

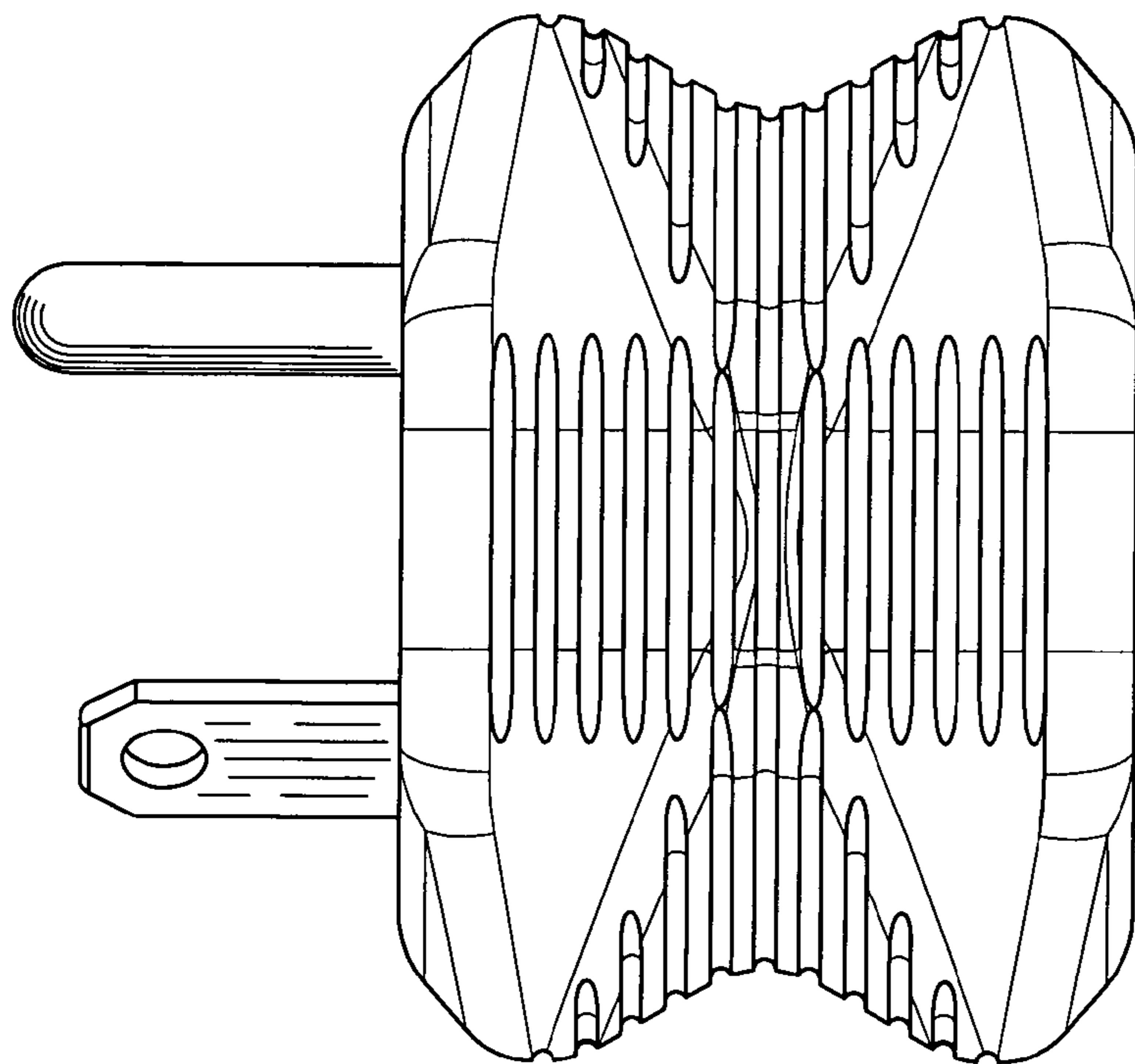


FIG. 16

UNITED STATES PATENT AND TRADEMARK OFFICE
CERTIFICATE OF CORRECTION

PATENT NO. : Des. 576,552 S
APPLICATION NO. : 29/294470
DATED : September 9, 2008
INVENTOR(S) : Donald R. Caine et al.

Page 1 of 10

It is certified that error appears in the above-identified patent and that said Letters Patent is hereby corrected as shown below:

Delete the title page containing an illustrated figure and substitute the attached title page therefor.

Drawings - Delete Drawing Sheets 1-8 and substitute the attached eight (8) sheets which contain sixteen (16) figures of the correct drawings for Design Patent D576,552. We respectfully request that you replace the existing drawings for Design Patent D576,552 with the attached.

Signed and Sealed this

Sixth Day of January, 2009

A handwritten signature in black ink that reads "Jon W. Dudas". The signature is written in a cursive style with a large, stylized initial "J".

JON W. DUDAS

Director of the United States Patent and Trademark Office

(12) **United States Design Patent**
Caine et al.

(10) **Patent No.:** US D576,552 S
(45) **Date of Patent:** ** Sep. 9, 2008

(54) **ELECTRICAL ADAPTER WITH INDICATOR LIGHT**

Reverse Adapter, Cat. # 55-8828, Stagparkway 2001 RV Parts & Accessories, p. 225, Atlanta, GA.

(75) **Inventors:** Donald R. Caine, Greensboro, NC (US); Jeffrey R. Russell, Winston Salem, NC (US); Anthony B. Moore, Summerfield, NC (US); Clay D. Price, Stokesdale, NC (US)

(Continued)

Primary Examiner—Jennifer Rivard
Assistant Examiner—Rosemary K Tarcza

(73) **Assignee:** Camco Manufacturing, Inc., Greensboro, NC (US)

(57) **CLAIM**

The ornamental design for an electrical adapter with indicator light, as shown and described.

(**)**Term:** 14 Years

DESCRIPTION

(21) **Appl. No.:** 29/294,470

FIG. 1 is a top, left front perspective view of an electrical adapter with indicator light showing Embodiment 1 of our design;

(22) **Filed:** Jan. 11, 2008

FIG. 2 is a top, right back perspective view of same electrical adapter with indicator light as in FIG. 1 embodying our design;

Related U.S. Application Data

(62) Division of application No. 29/245,954, filed on Dec. 30, 2005, now Pat. No. Des. 564,964.

FIG. 3 is a top plan view thereof;

(51) **LOC (8) Cl.** 13-03

FIG. 4 is a bottom plan view thereof;

(52) **U.S. Cl.** D13/137.2

FIG. 5 is front side elevational view thereof;

(58) **Field of Classification Search** .. D13/137.1-137.4, D13/138.1, 138.2, 139.1, 139.6-139.8, 133, D13/154, 156; 439/171-172, 140, 160, 164, 439/135-138, 446, 131, 606, 105-106, 11, 439/13, 31, 650-655, 628, 476.1, 478, 480, 439/483-484, 696, 692, 645-646; 174/53-58; 337/197-198

FIG. 6 is a back side elevational view thereof;

FIG. 7 is a left side elevational view thereof;

FIG. 8 is a right side elevational view thereof;

FIG. 9 is a top, left front perspective view of an electrical adapter with indicator light showing Embodiment 2 of our design;

See application file for complete search history.

FIG. 10 is a top, right back perspective view of same electrical adapter with indicator light as in FIG. 9 embodying our design;

(56) **References Cited**

U.S. PATENT DOCUMENTS

D80,102 S 12/1929 Muldoon

(Continued)

OTHER PUBLICATIONS

30-15 Adapter, Cat. # 55-8827, Stagparkway 2001 RV Parts & Accessories, p. 225, Atlanta, GA.

FIG. 11 is a top plan view thereof;

FIG. 12 is a bottom plan view thereof;

FIG. 13 is a front side elevational view thereof;

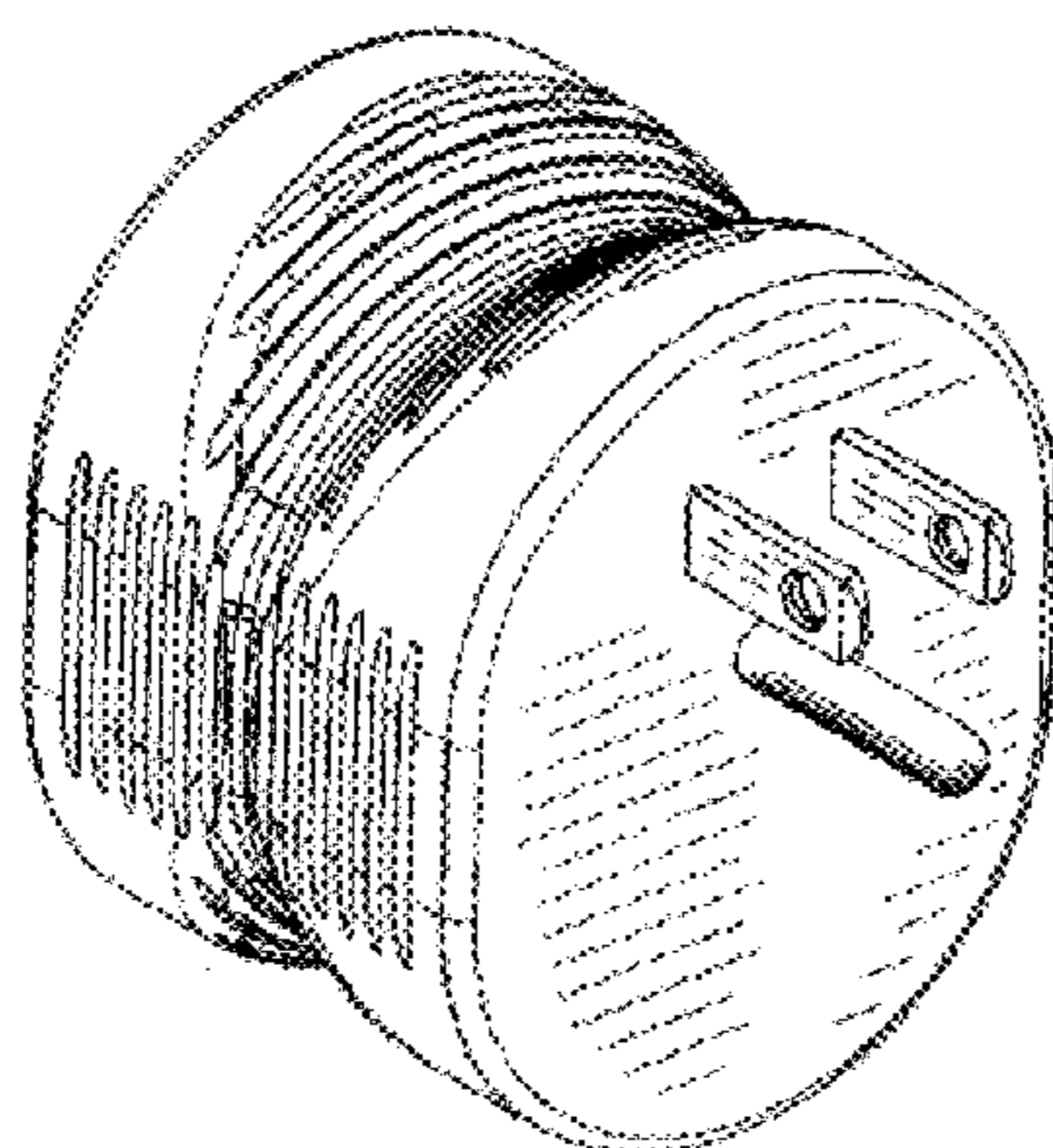
FIG. 14 is a back side elevational view thereof;

FIG. 15 is a left side elevational view thereof; and,

FIG. 16 is a right side elevational view thereof.

30-15 Adapter, Cat. # 55-9648, Stagparkway 2001 RV Parts & Accessories, p. 225, Atlanta, GA.

1 Claim, 8 Drawing Sheets



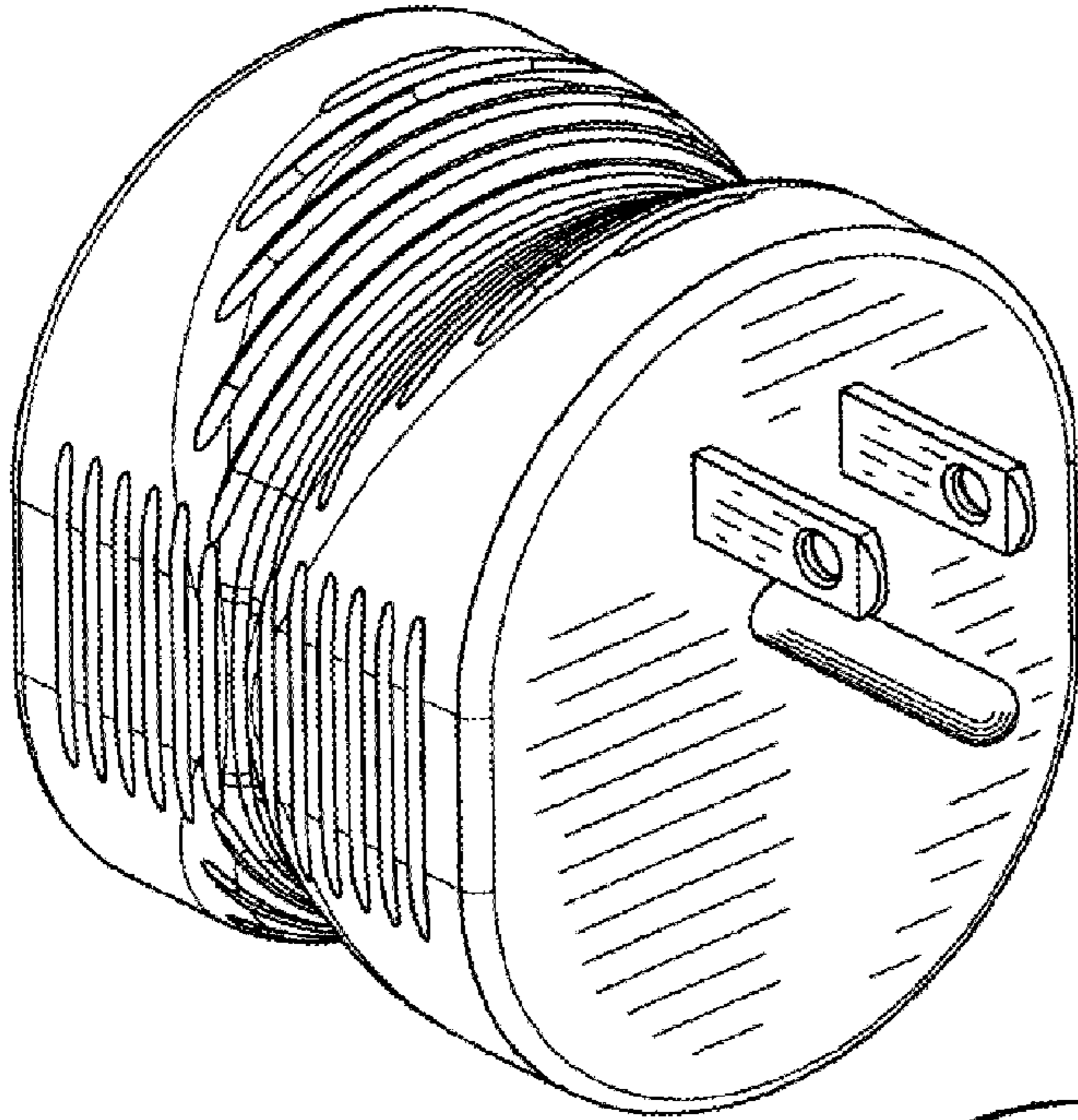


FIG. 1

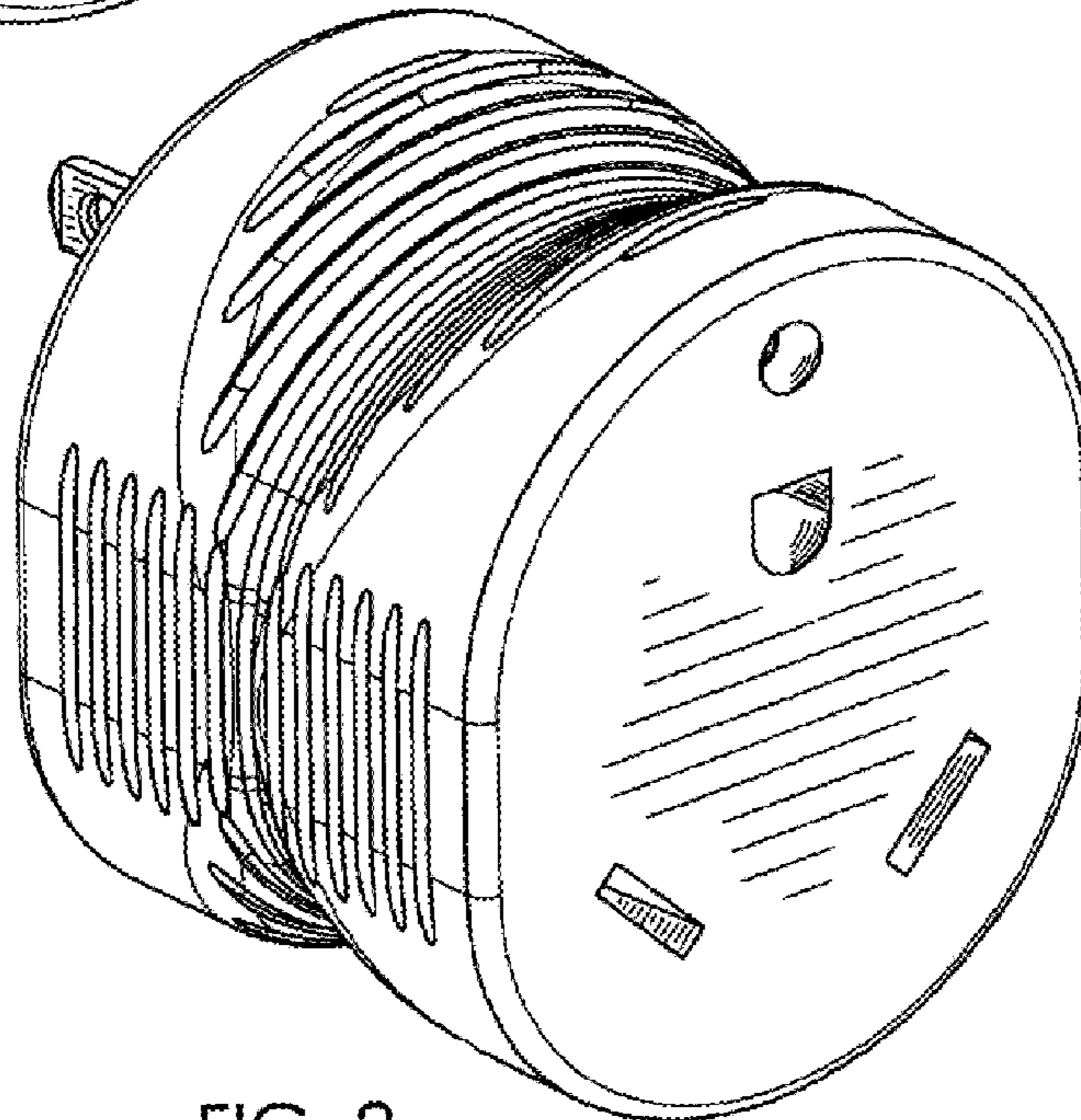


FIG. 2

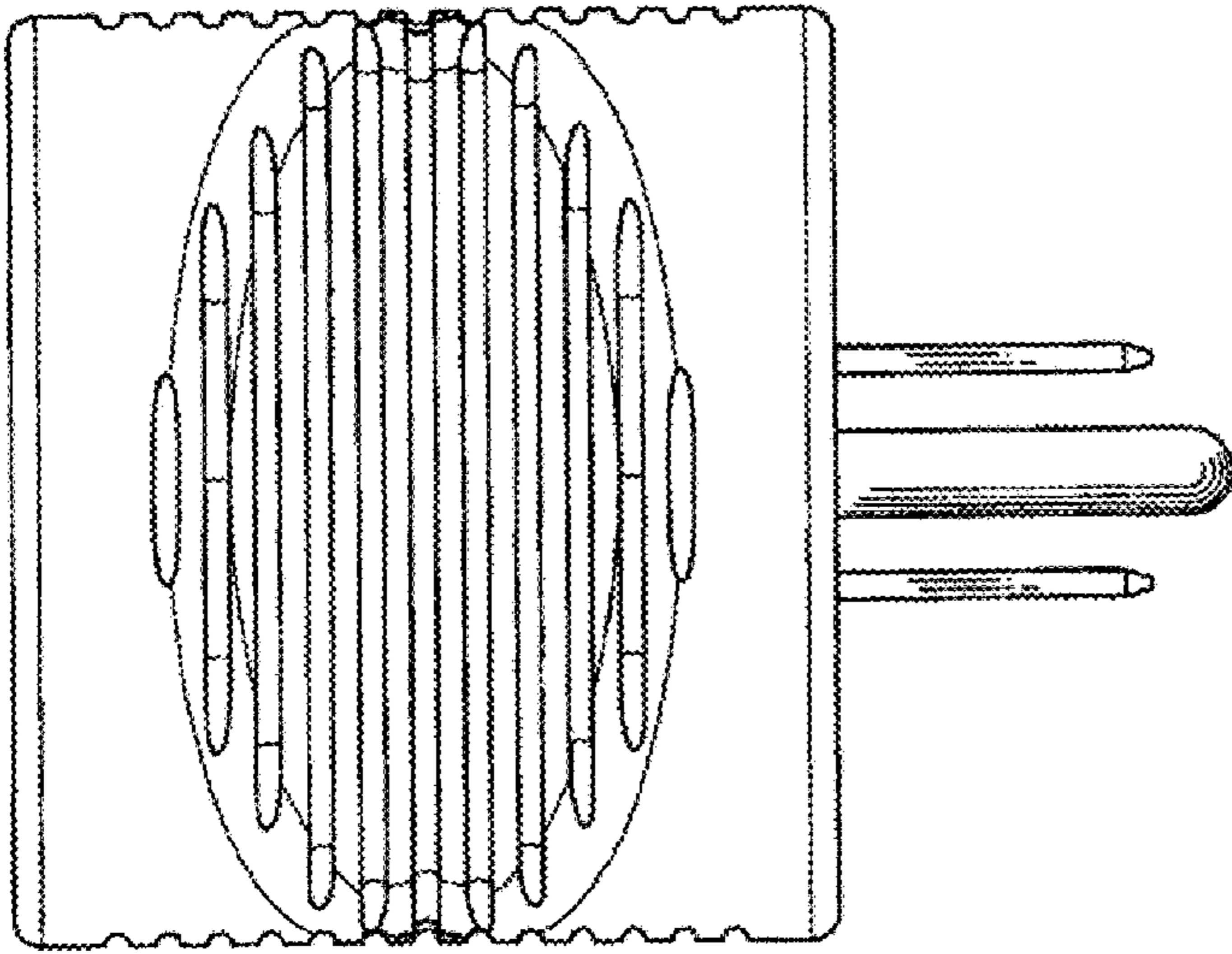


FIG. 3

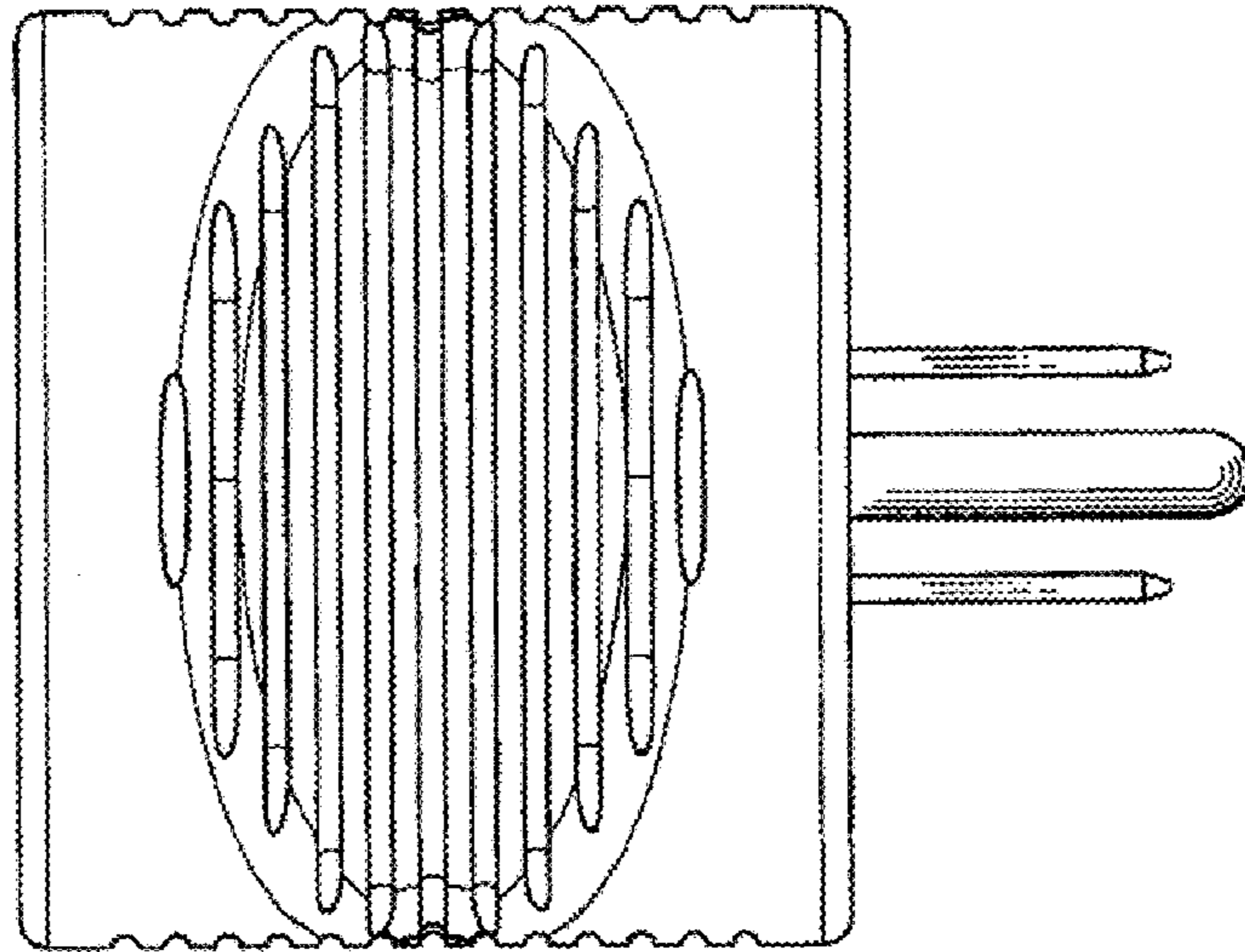


FIG. 4

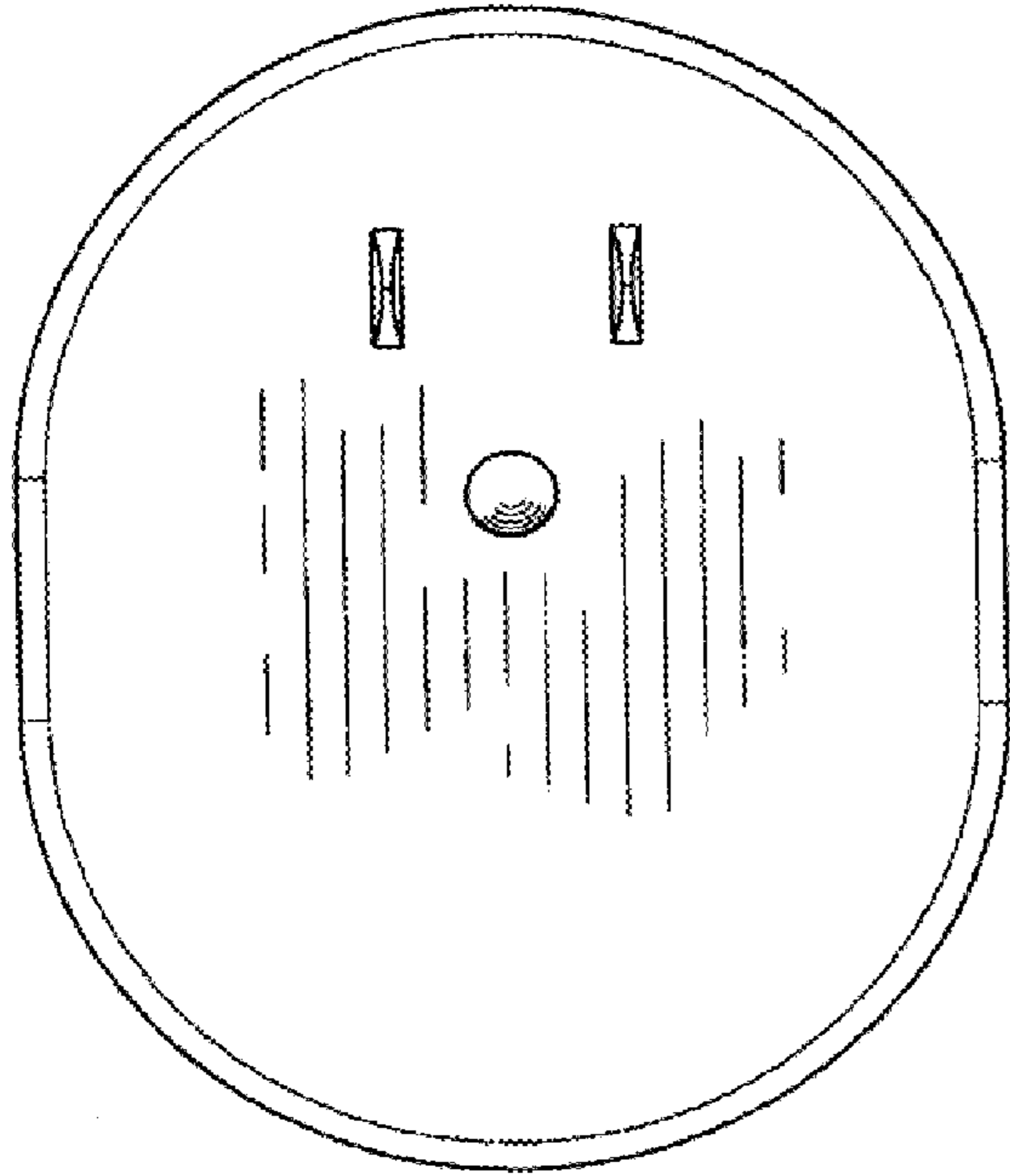


FIG. 5

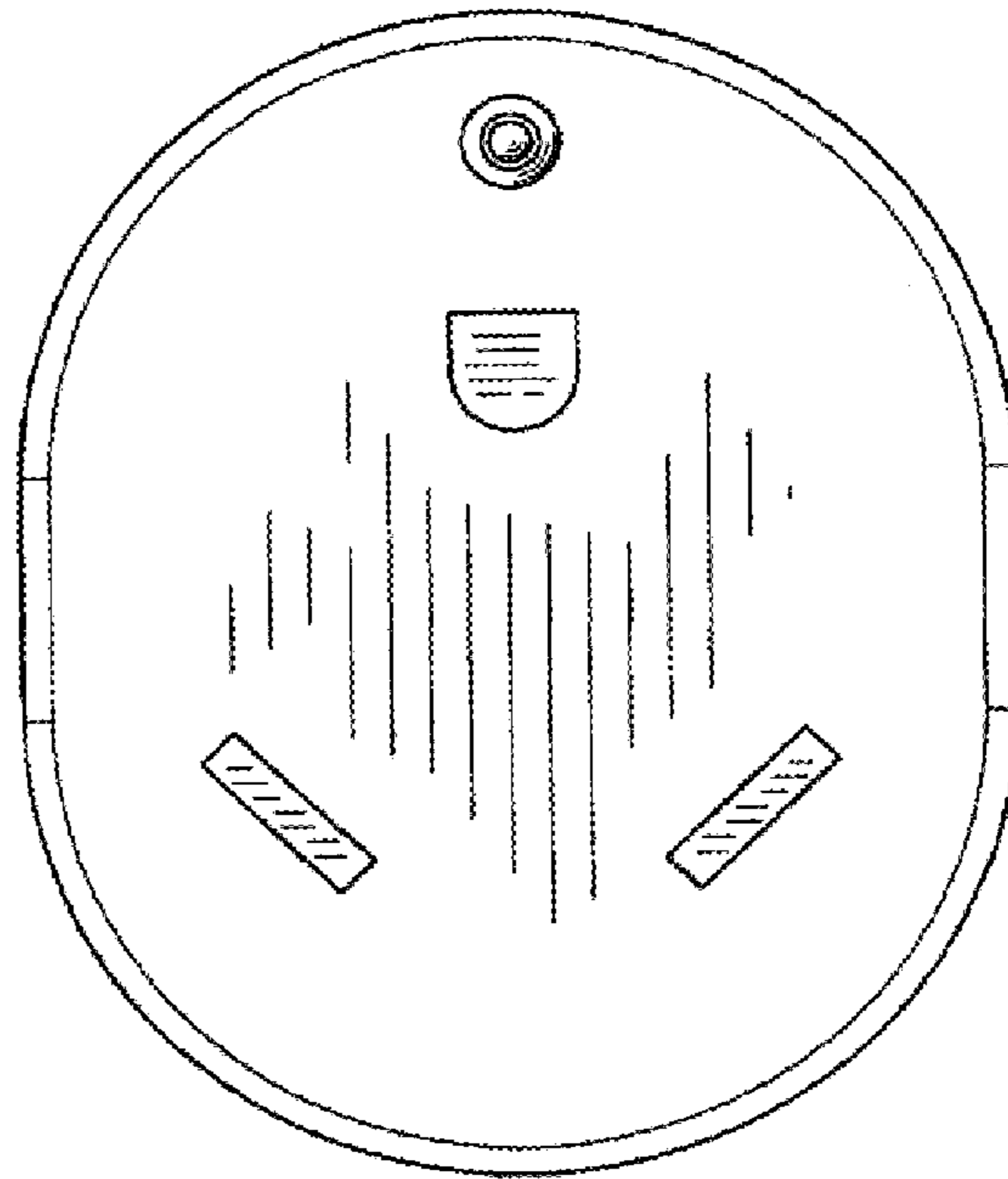


FIG. 6

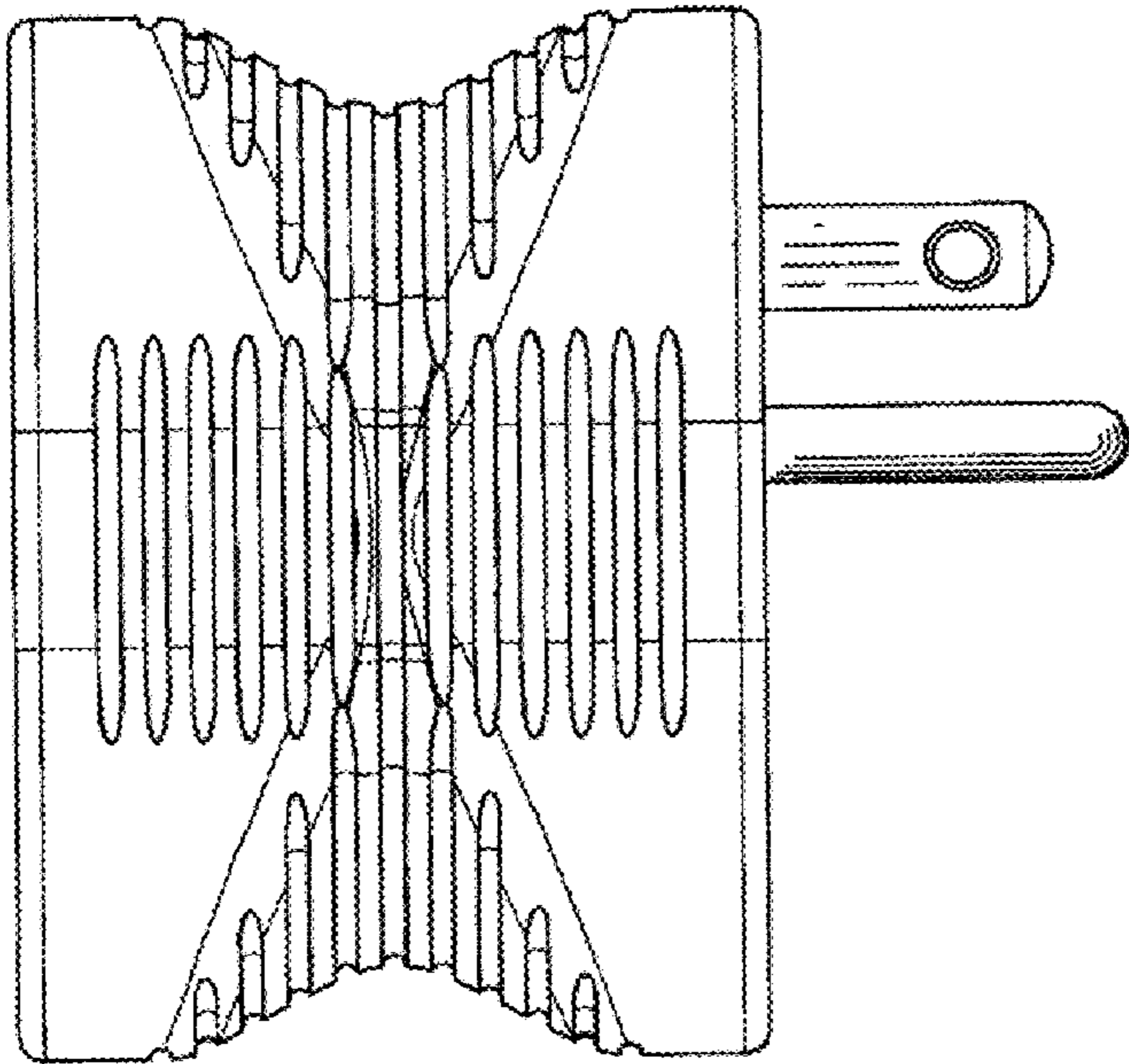


FIG. 7

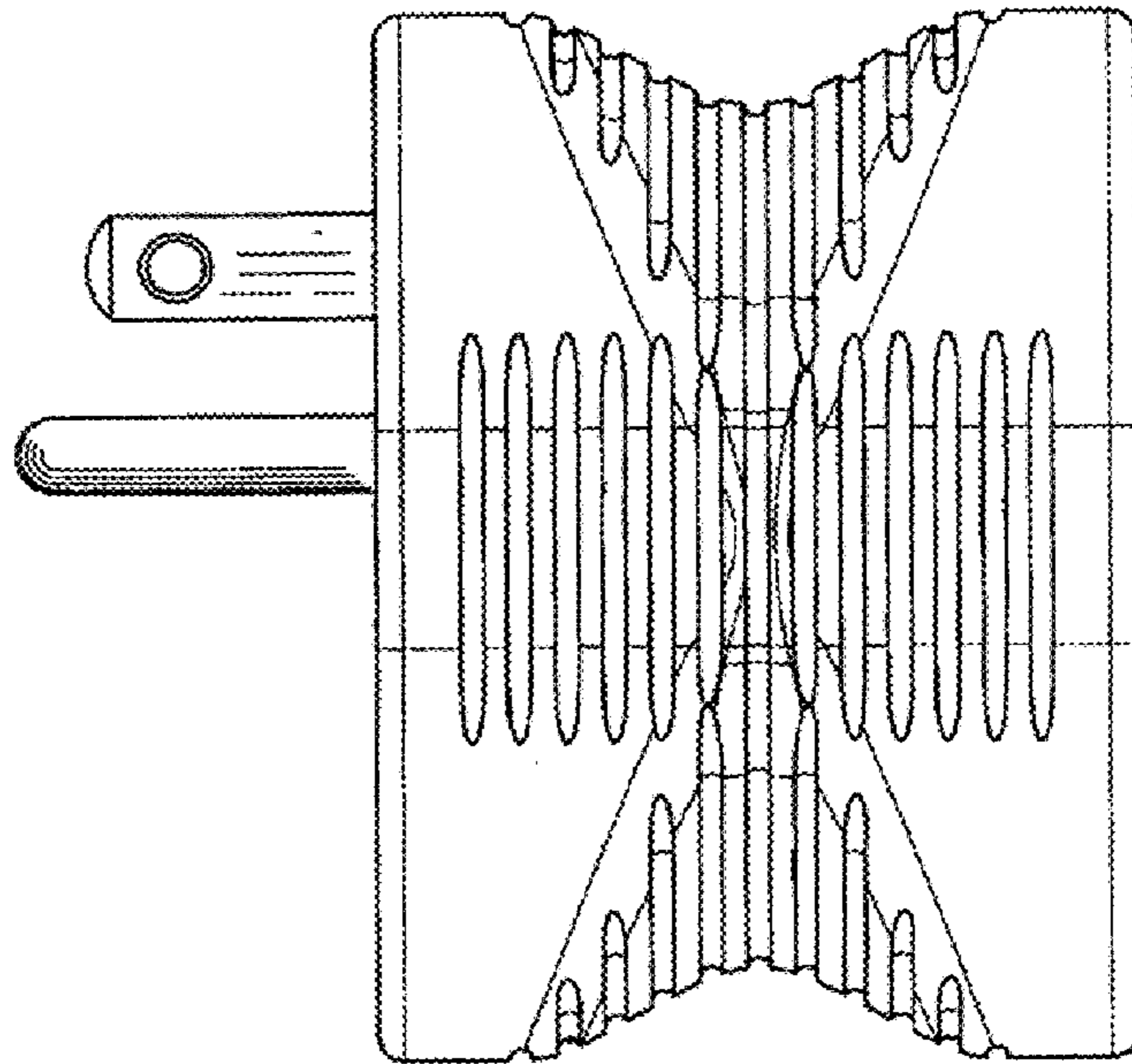


FIG. 8

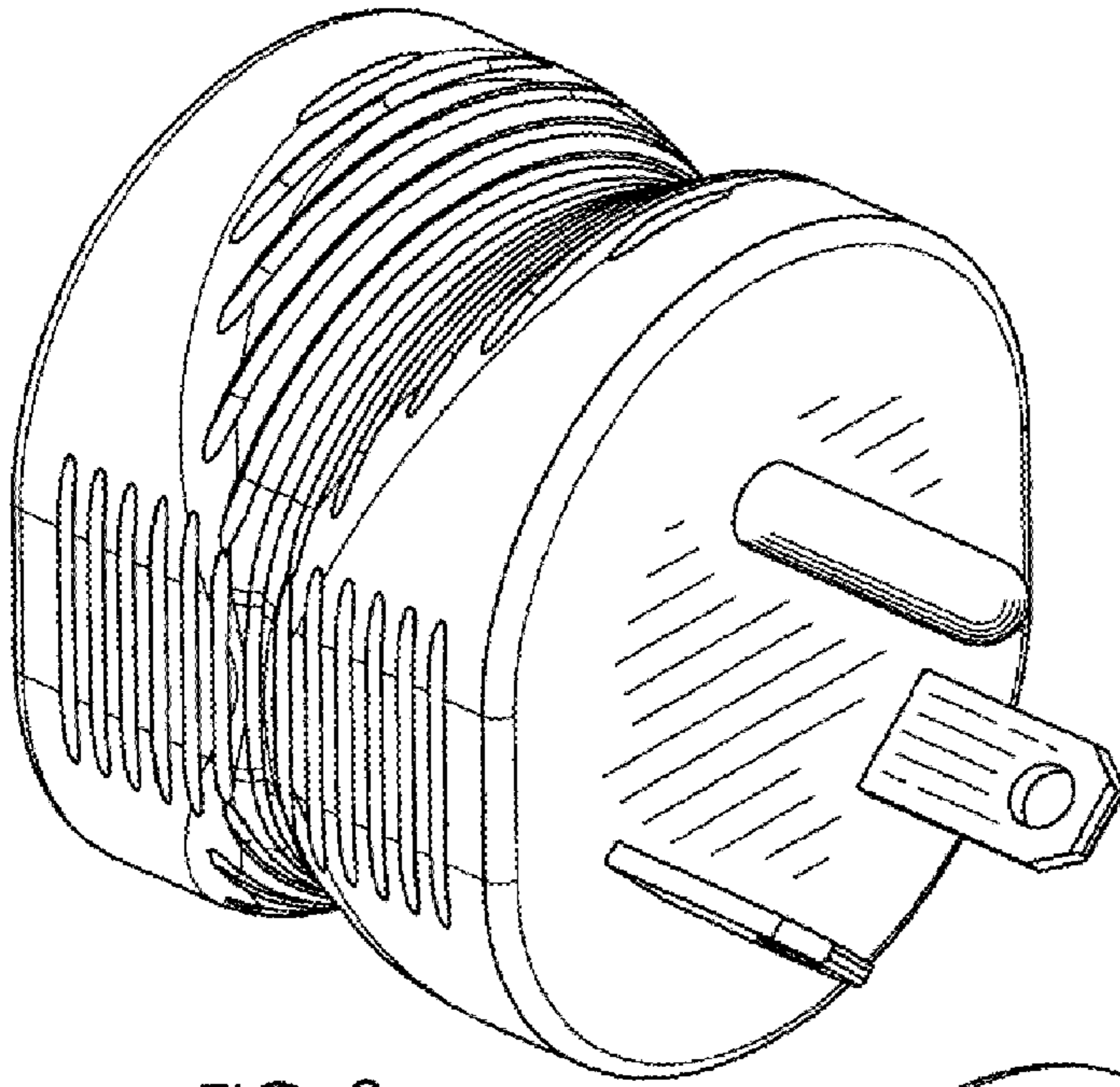


FIG. 9

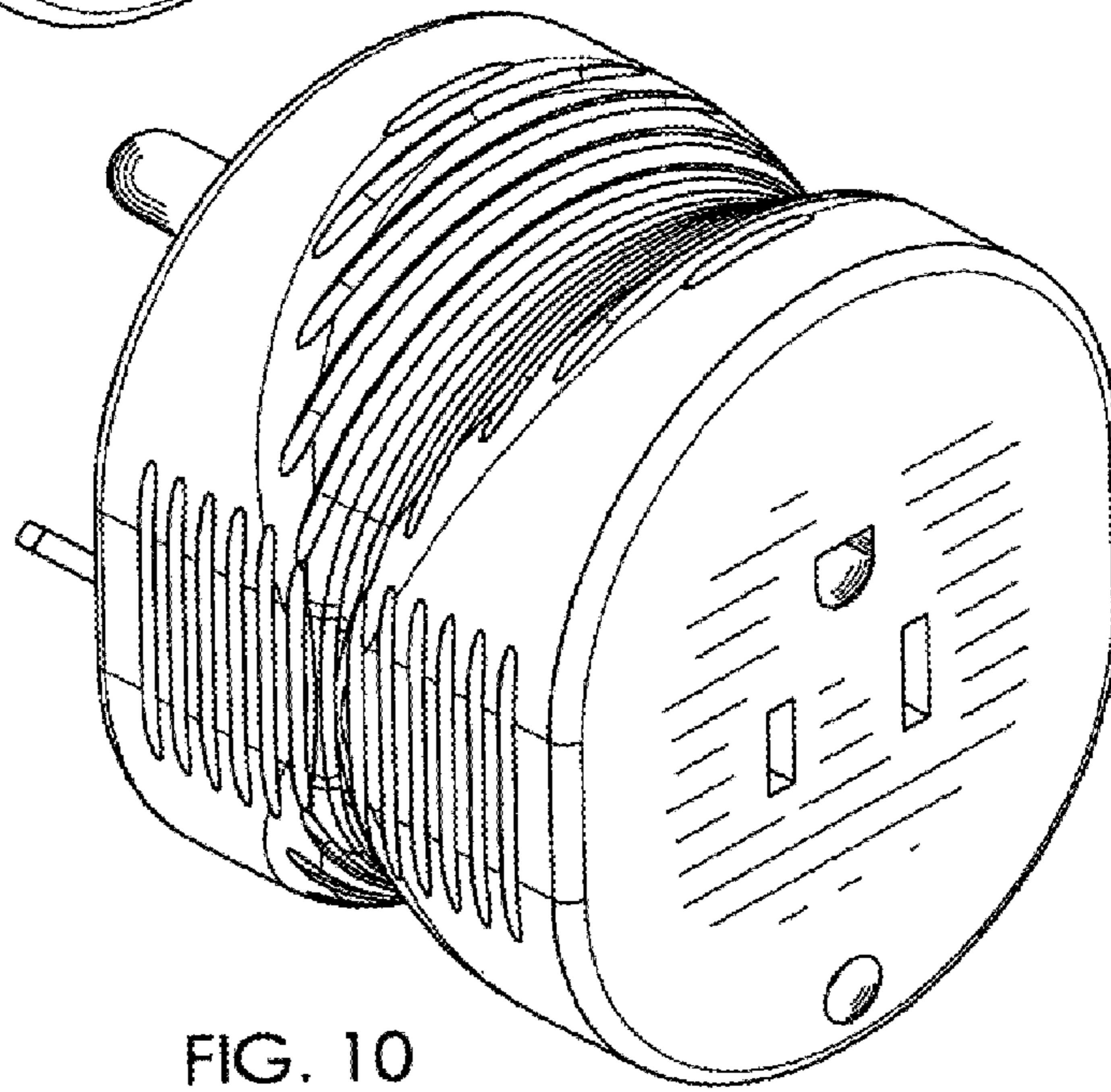


FIG. 10

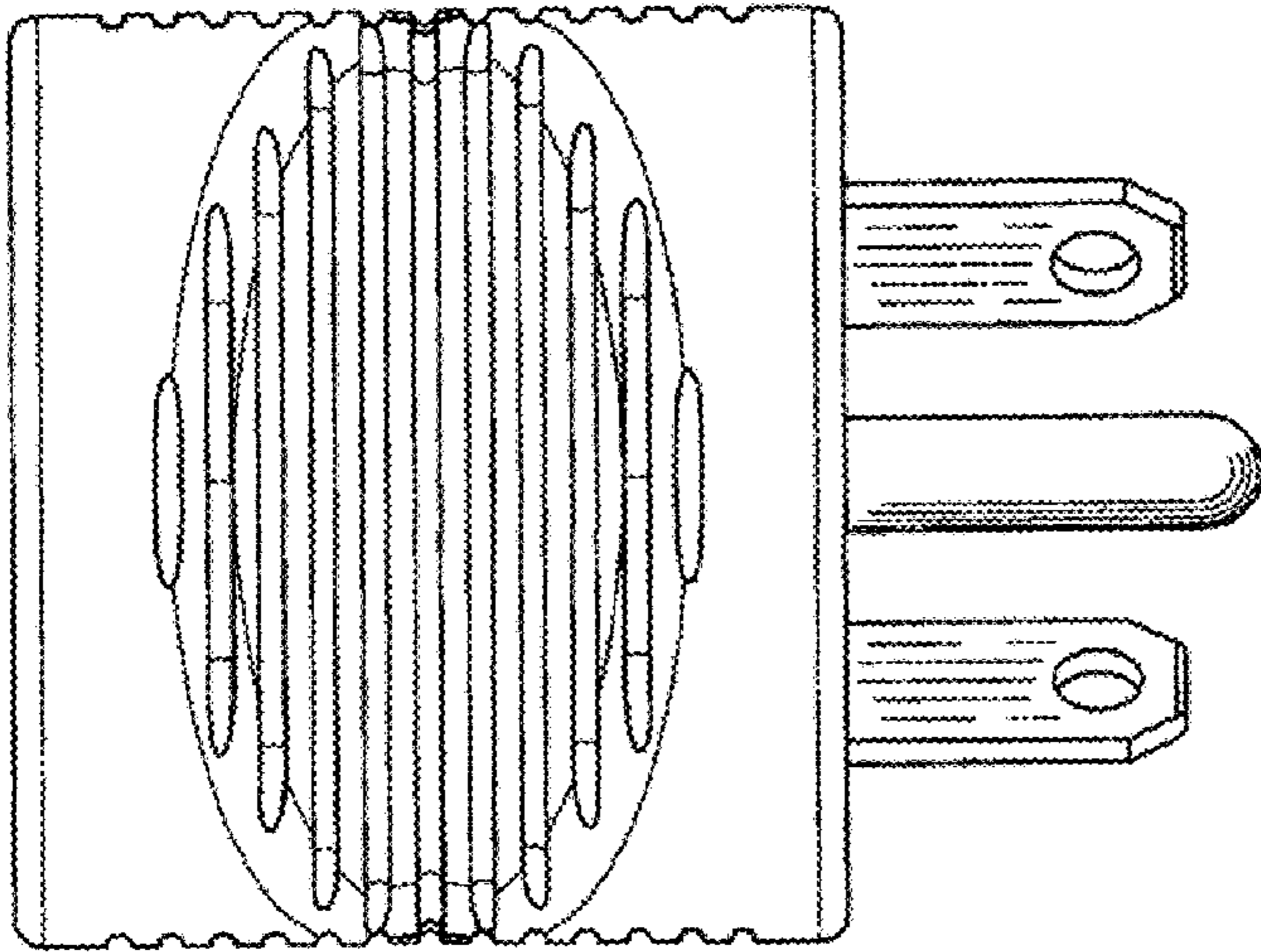


FIG. 11

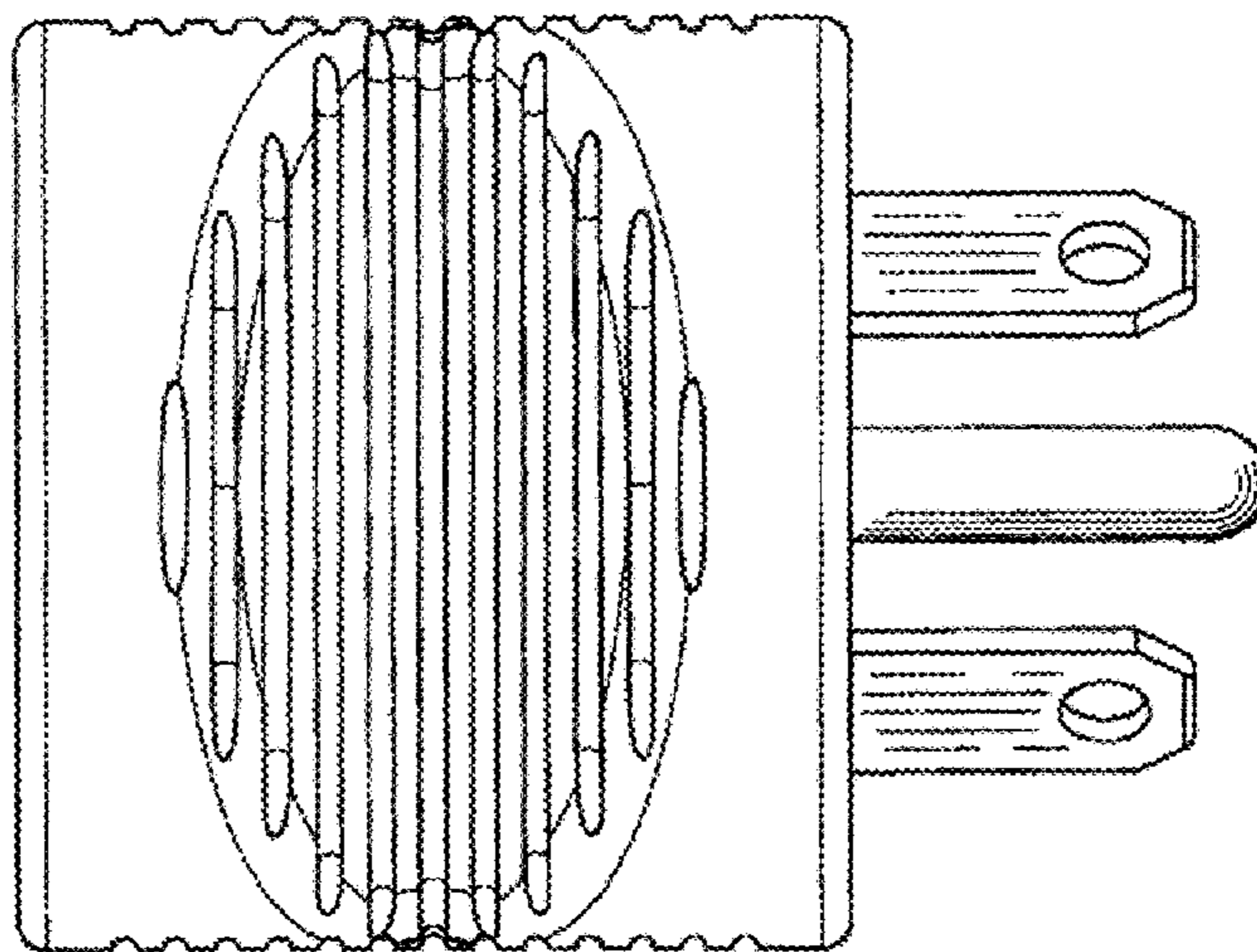


FIG. 12

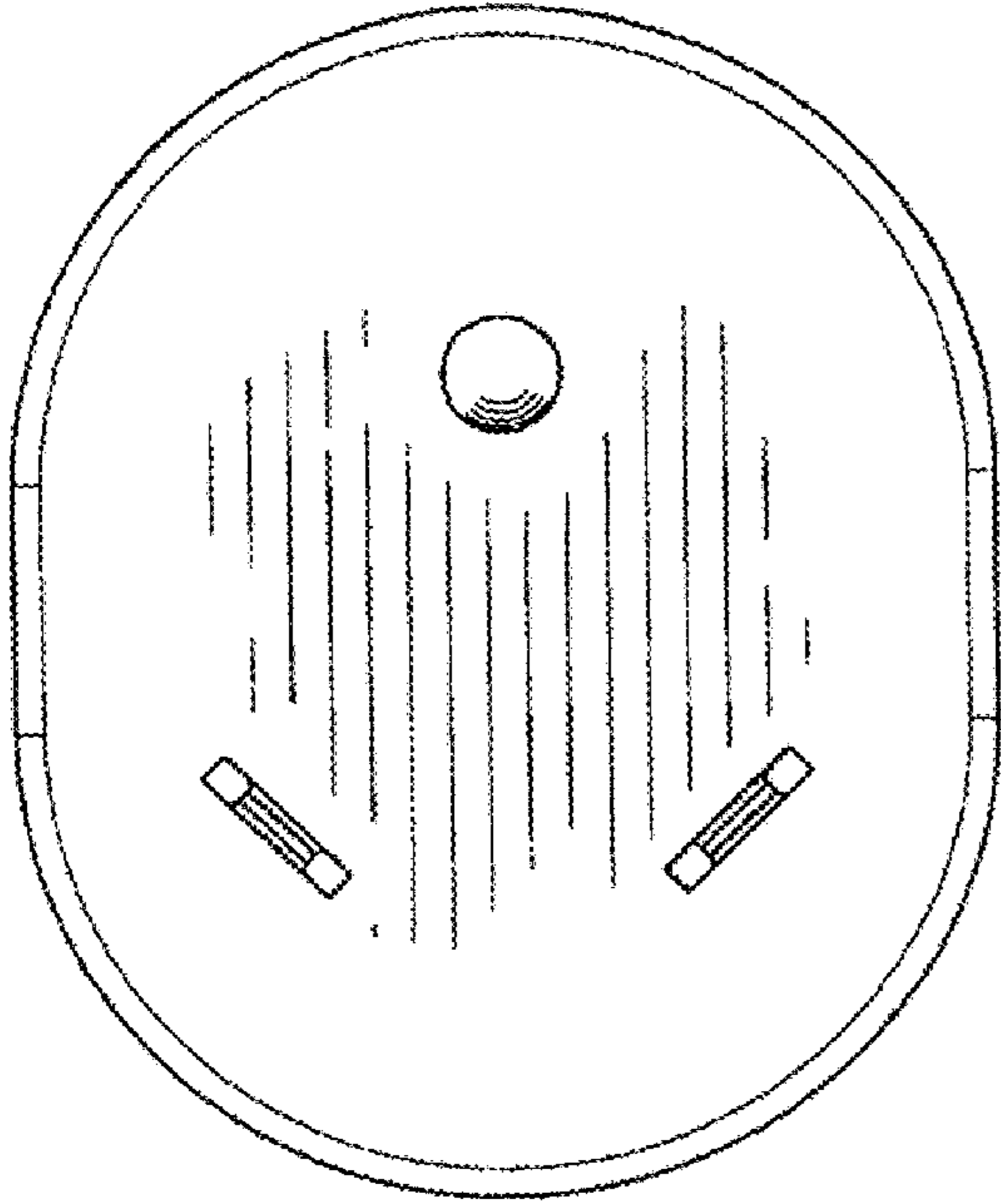


FIG. 13

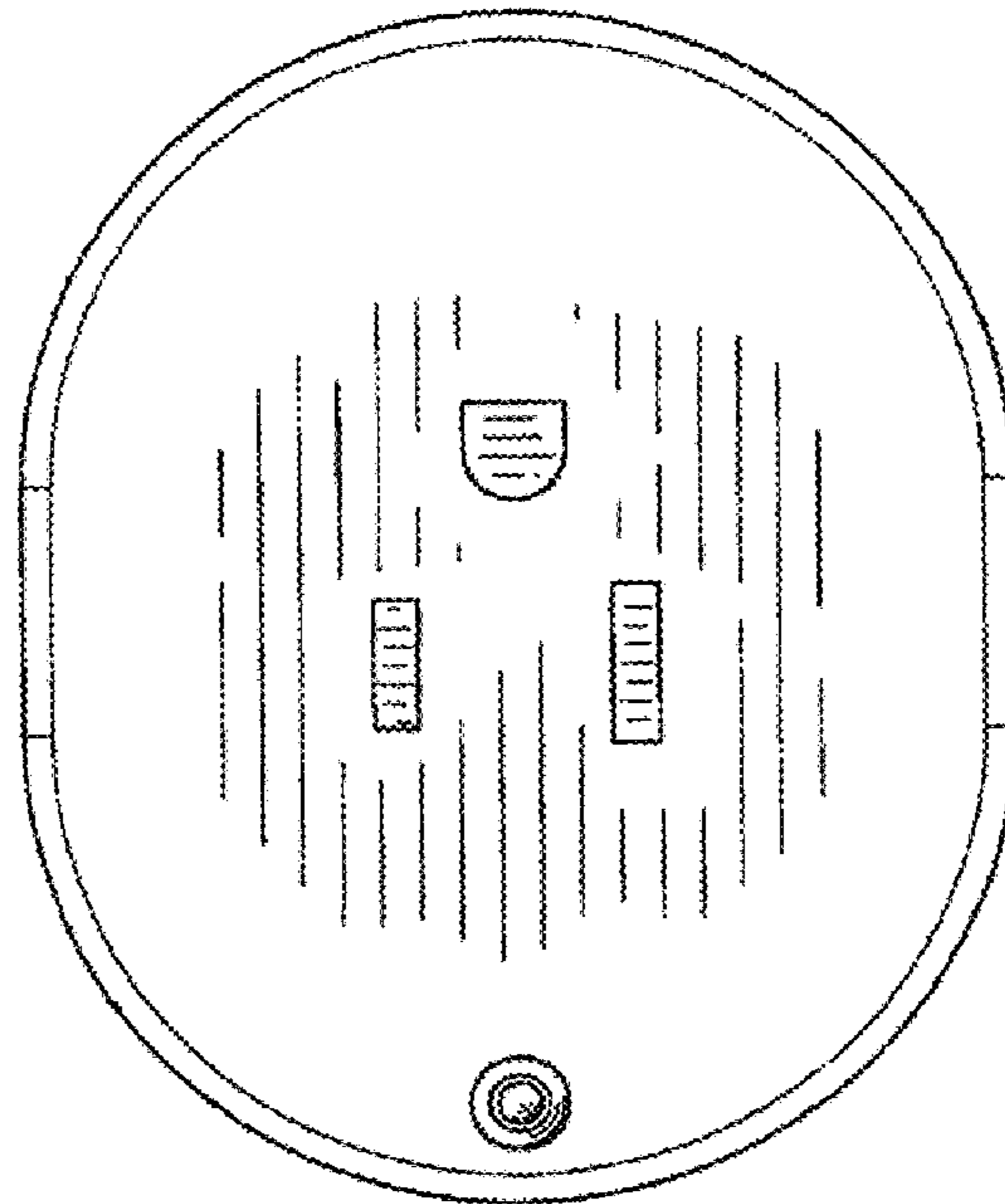


FIG. 14

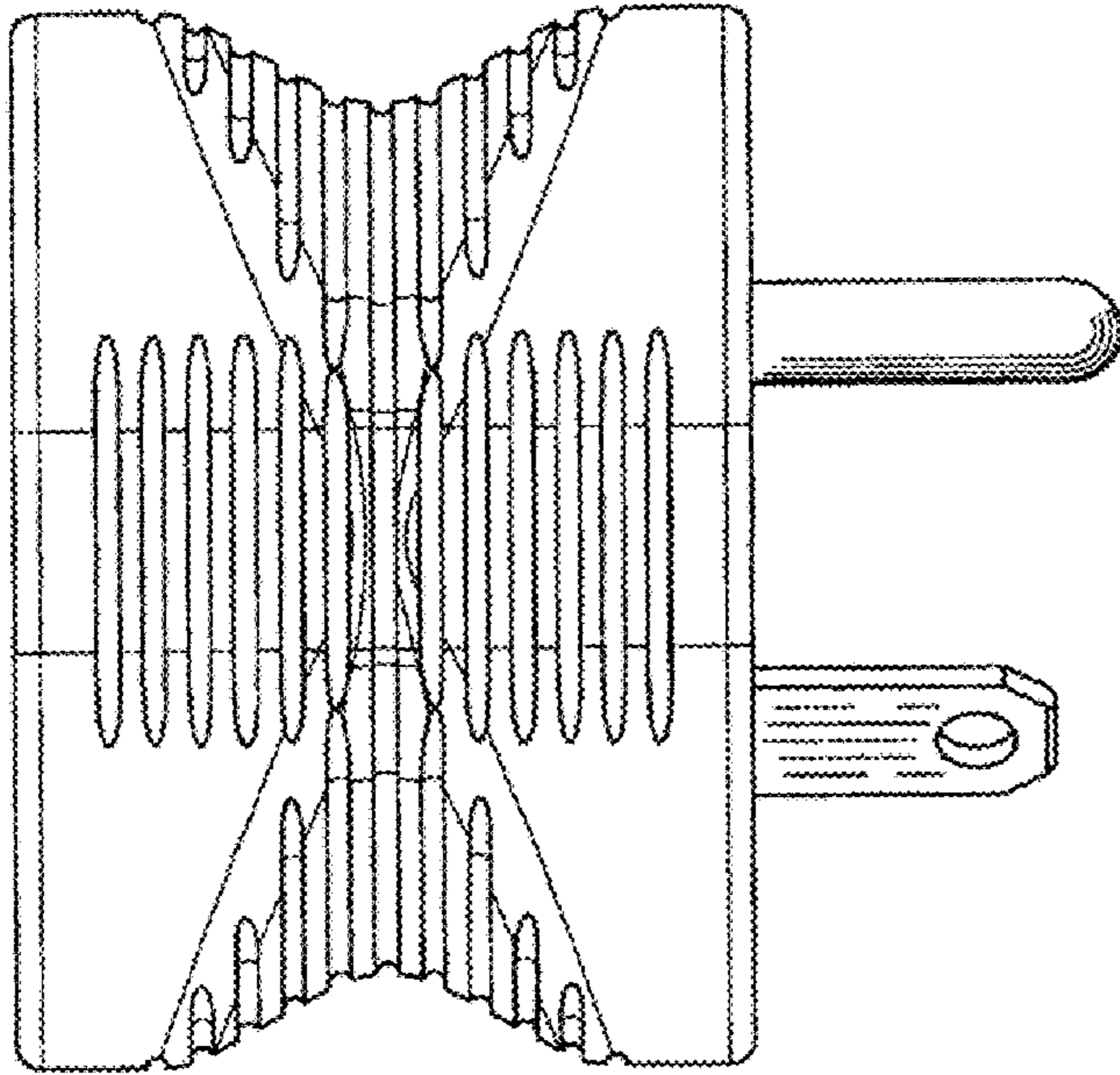


FIG. 15

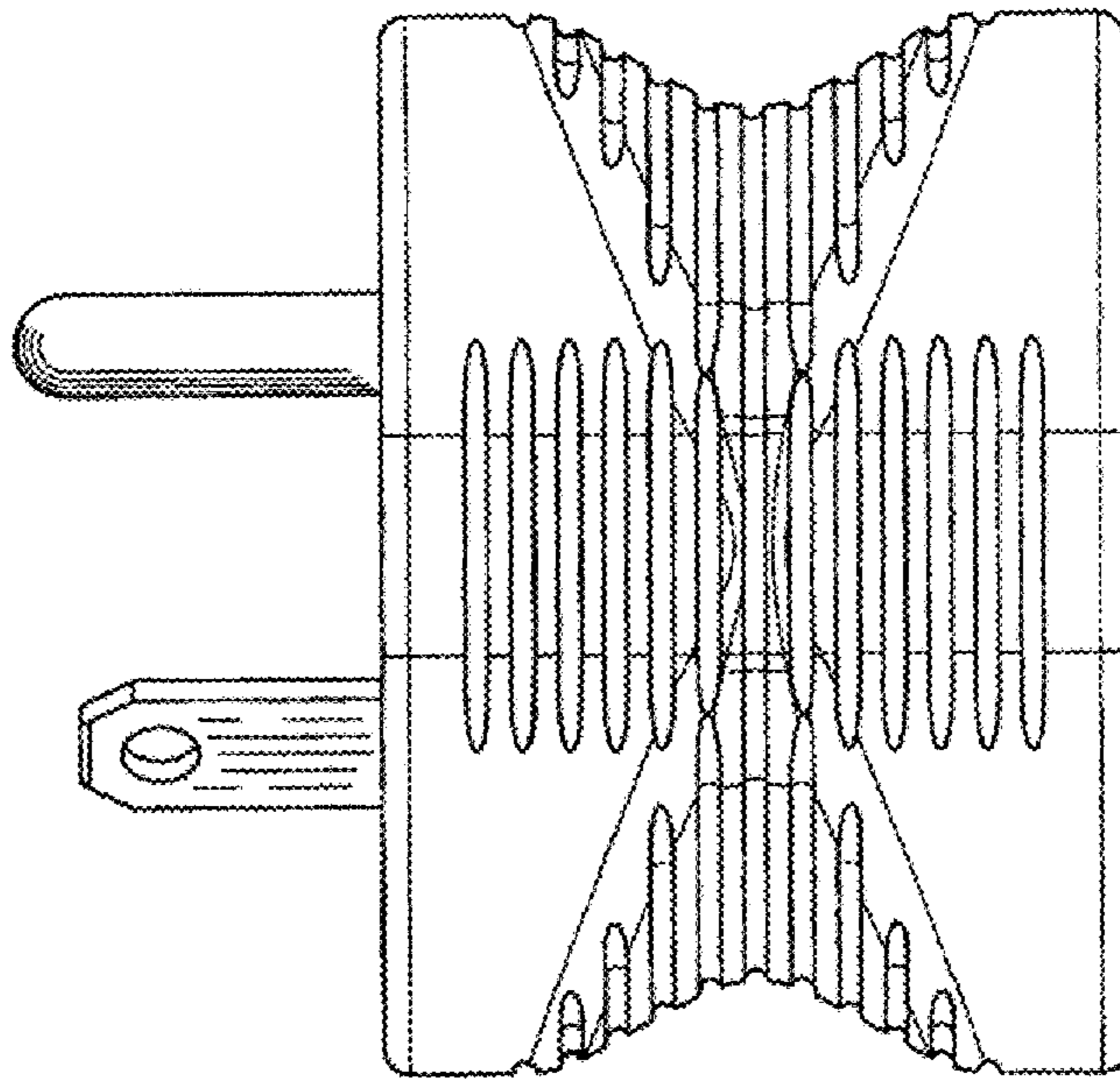


FIG. 16