



US00D576551S

(12) **United States Design Patent**
Chien et al.

(10) **Patent No.:** **US D576,551 S**

(45) **Date of Patent:** **** Sep. 9, 2008**

(54) **AUDIO JACK**

D556,137 S * 11/2007 Lin et al. D13/133
D558,674 S * 1/2008 Lin et al. D13/133

(75) Inventors: **Min-Lung Chien**, Hsin-Tien (TW);
Kai-Ray Cheng, Hsin-Tien (TW);
Sheng-Shun Chin, Hsin-Tien (TW);
Jian Cheng, Hsin-Tien (TW); **Jia Liu**,
Hsin-Tien (TW)

* cited by examiner

Primary Examiner—Daniel D Bui
(74) *Attorney, Agent, or Firm*—Jackson Walker, LLP

(73) Assignee: **Advanced Connectek, Inc.** (TW)

(57) **CLAIM**

The ornamental design for an audio jack, as shown.

(**) Term: **14 Years**

(21) Appl. No.: **29/294,194**

DESCRIPTION

(22) Filed: **Dec. 27, 2007**

FIG. 1 is a top, front and right side perspective view of an audio jack showing our new design;

(51) **LOC (8) Cl.** **13-03**

FIG. 2 is a front view thereof;

(52) **U.S. Cl.** **D13/133**

FIG. 3 is a rear view thereof;

(58) **Field of Classification Search** D13/133,
D13/146, 147, 154, 184; 439/607–610, 660,
439/668, 892, 894

FIG. 4 is a left side view thereof;

FIG. 5 is a right side view thereof;

See application file for complete search history.

FIG. 6 is top view thereof;

FIG. 7 is a bottom view thereof;

(56) **References Cited**

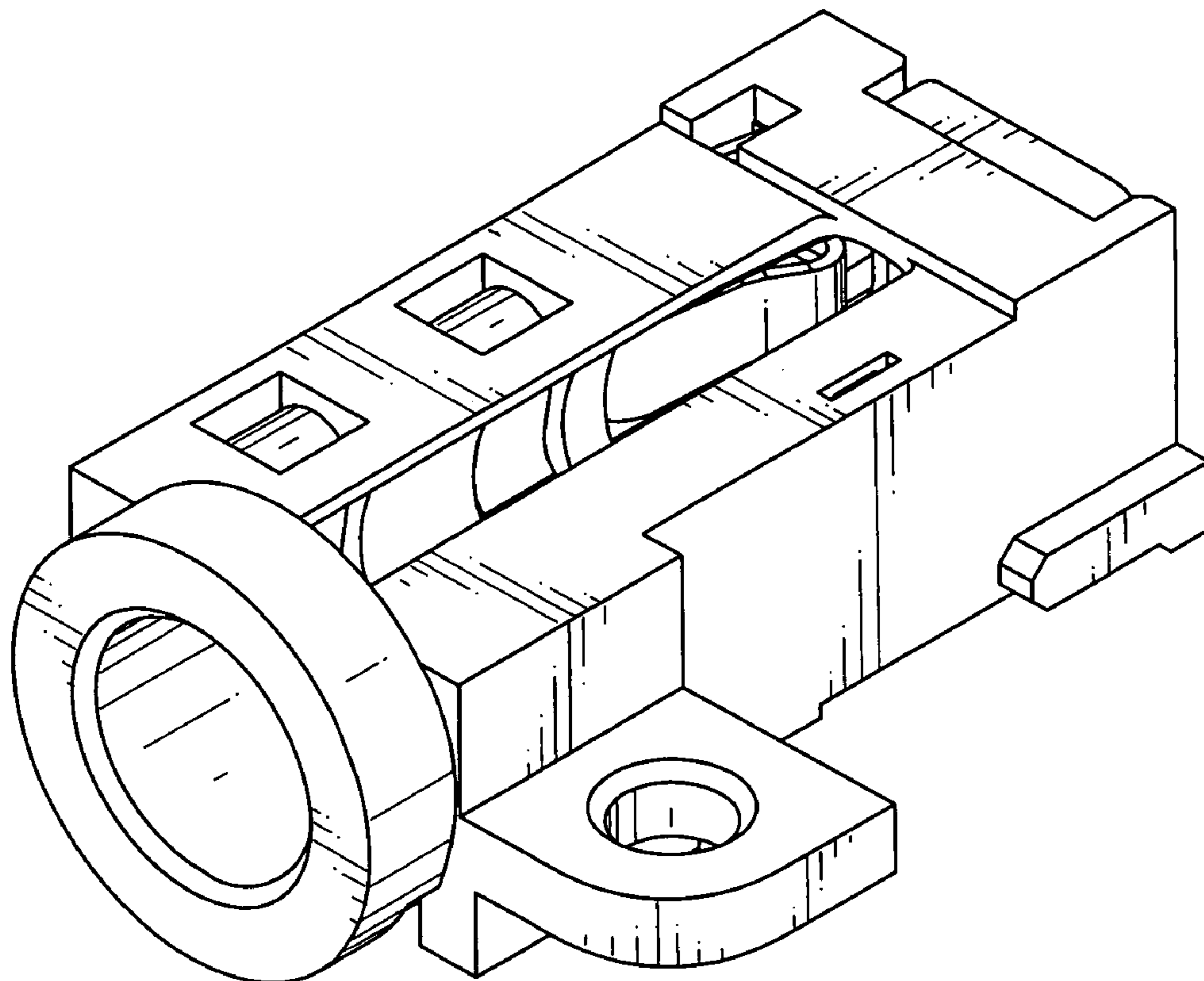
U.S. PATENT DOCUMENTS

D451,472 S * 12/2001 Suzuki D13/133
D533,835 S * 12/2006 Lee D13/133
D534,868 S * 1/2007 Lee D13/133
D552,032 S * 10/2007 Peng D13/133

FIG. 8 is a bottom, rear and left side perspective view thereof;
and,

FIG. 9 is a bottom, front and right side perspective view thereof.

1 Claim, 9 Drawing Sheets



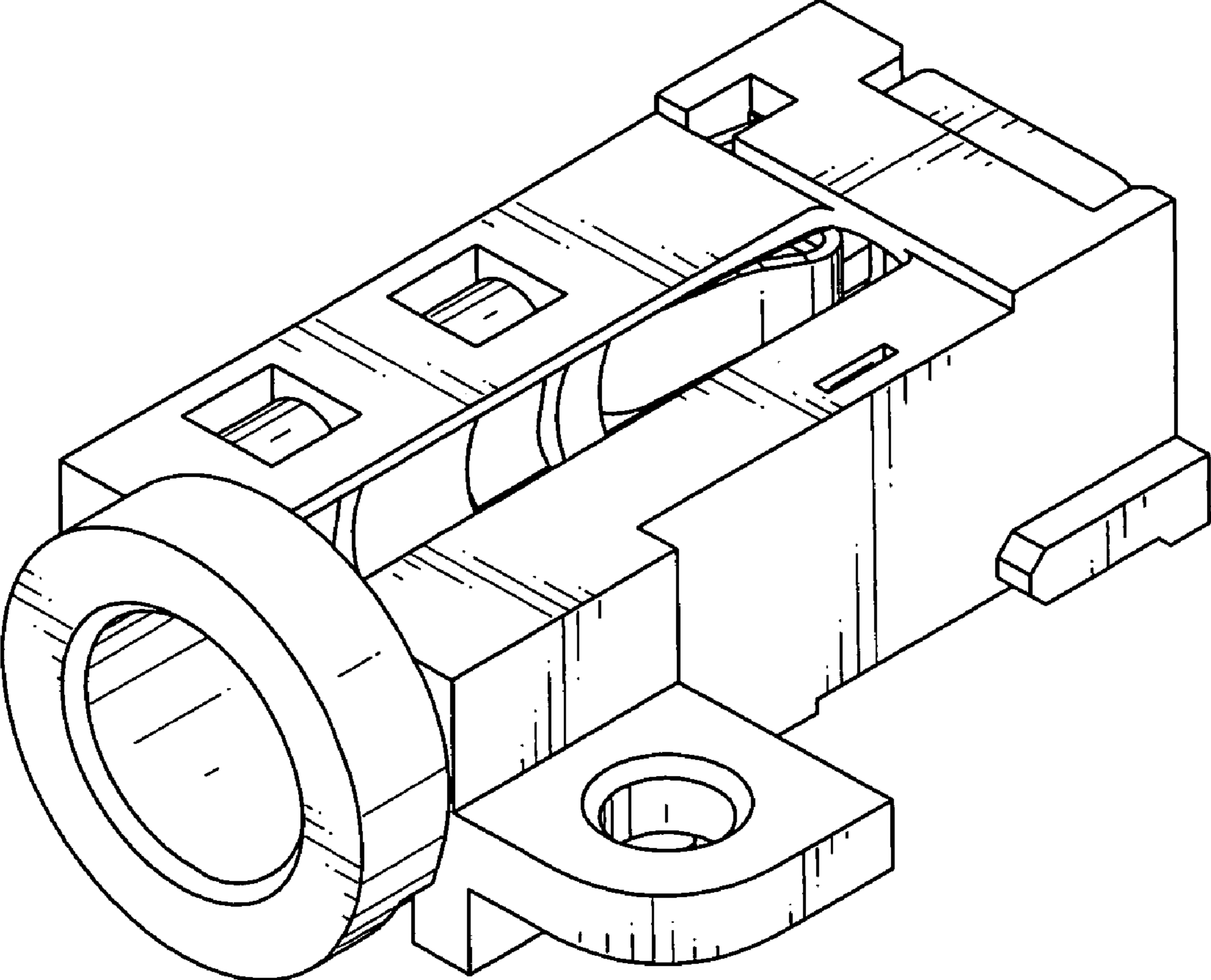


FIG. 1

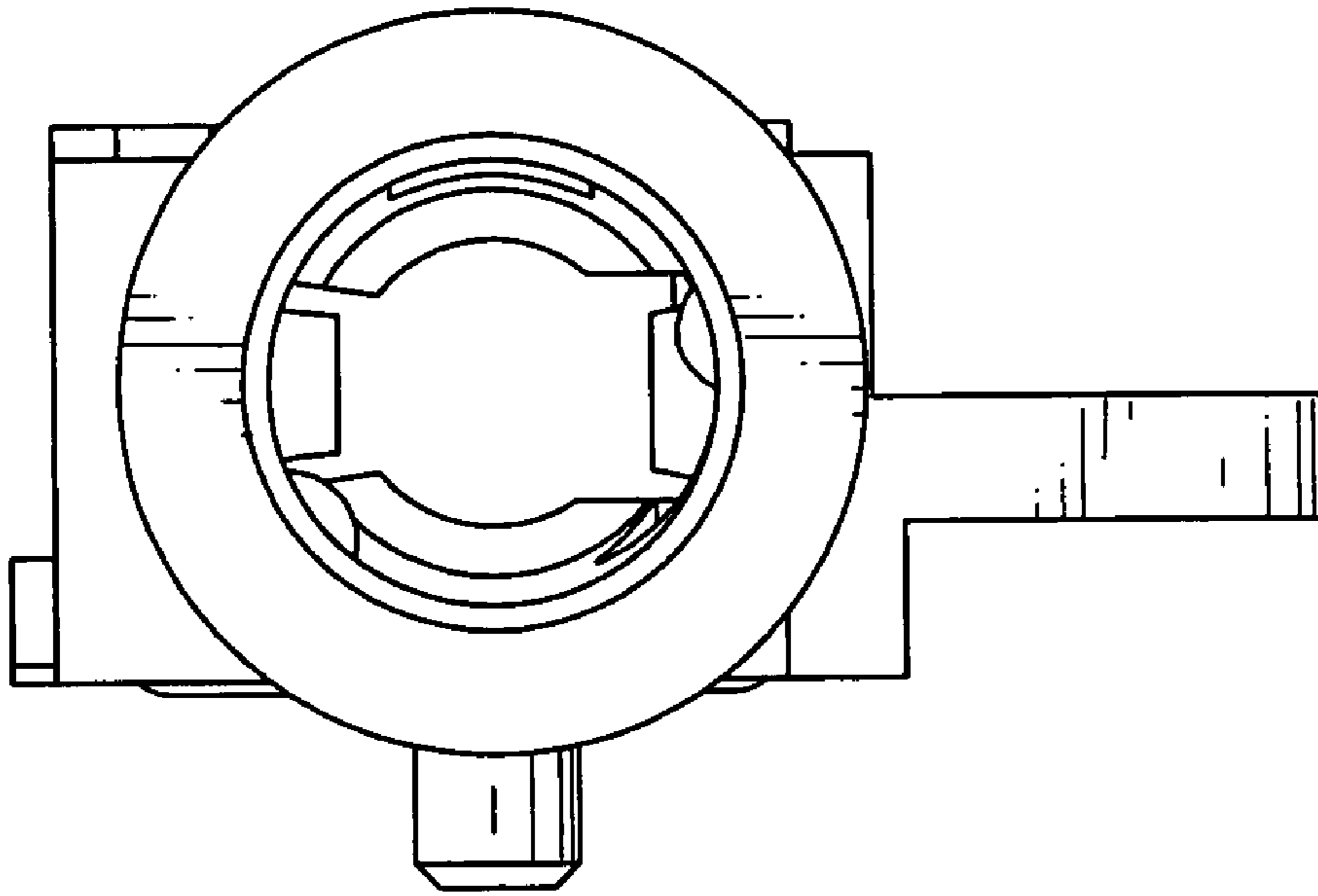


FIG.2

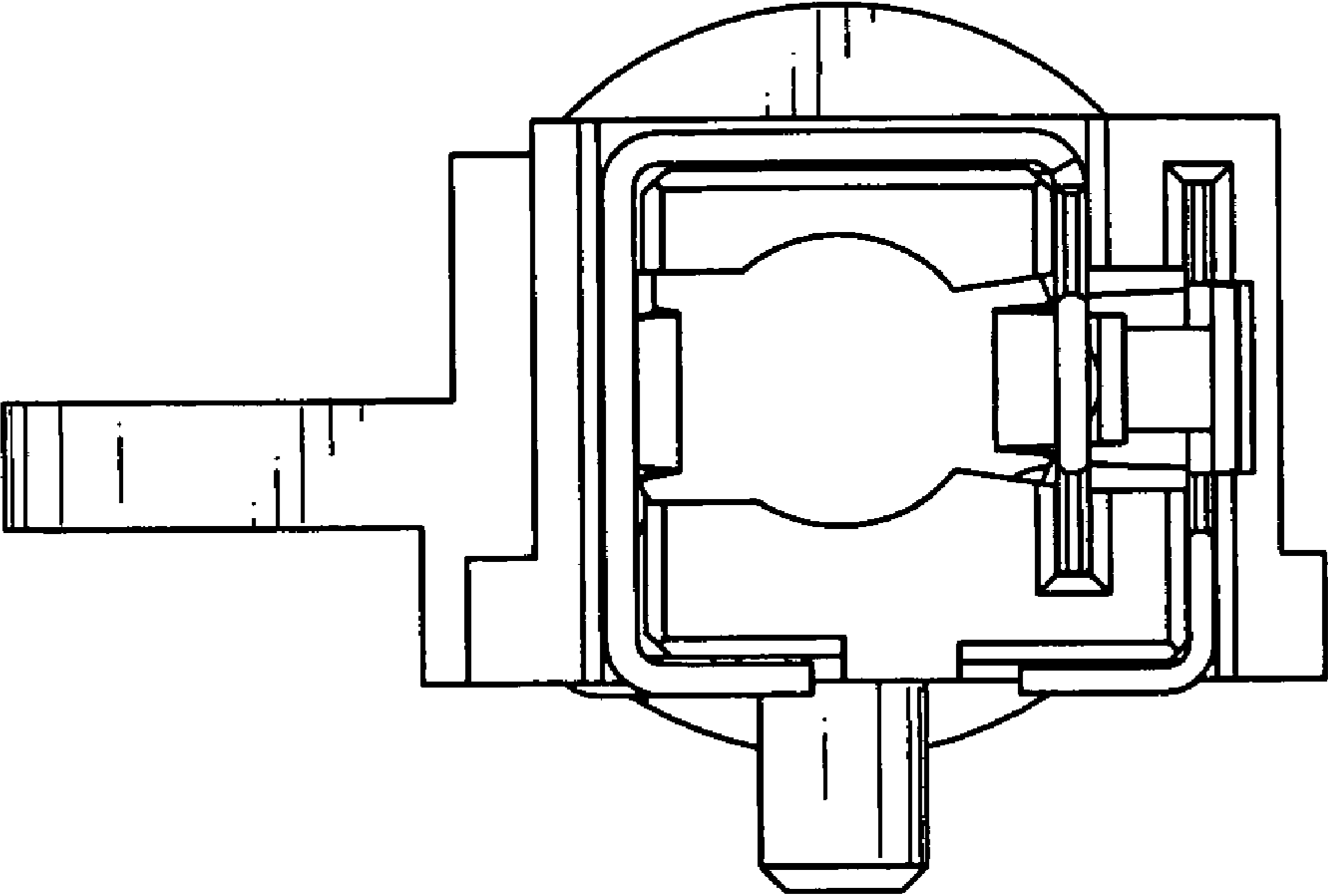


FIG.3

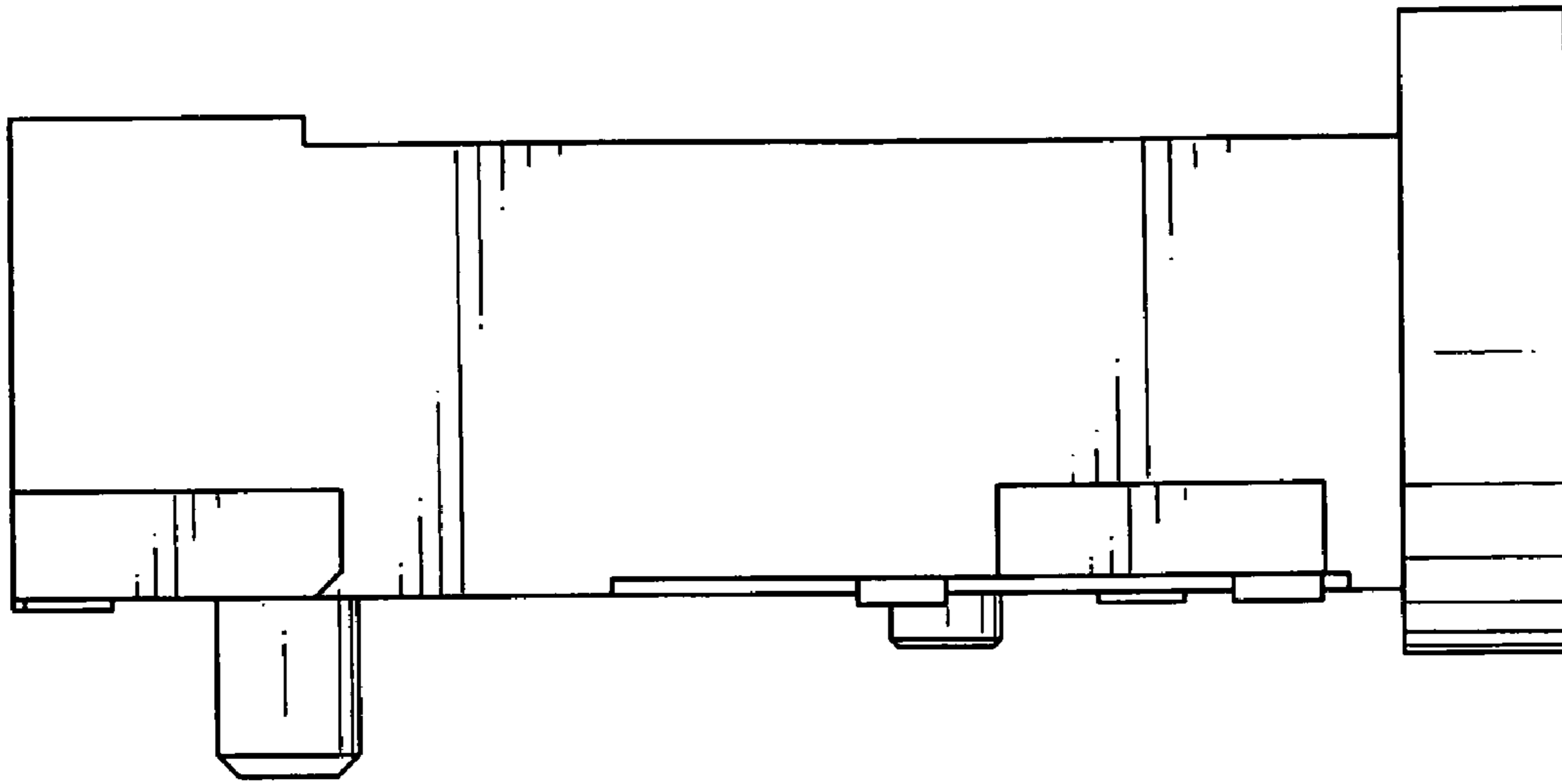


FIG.4

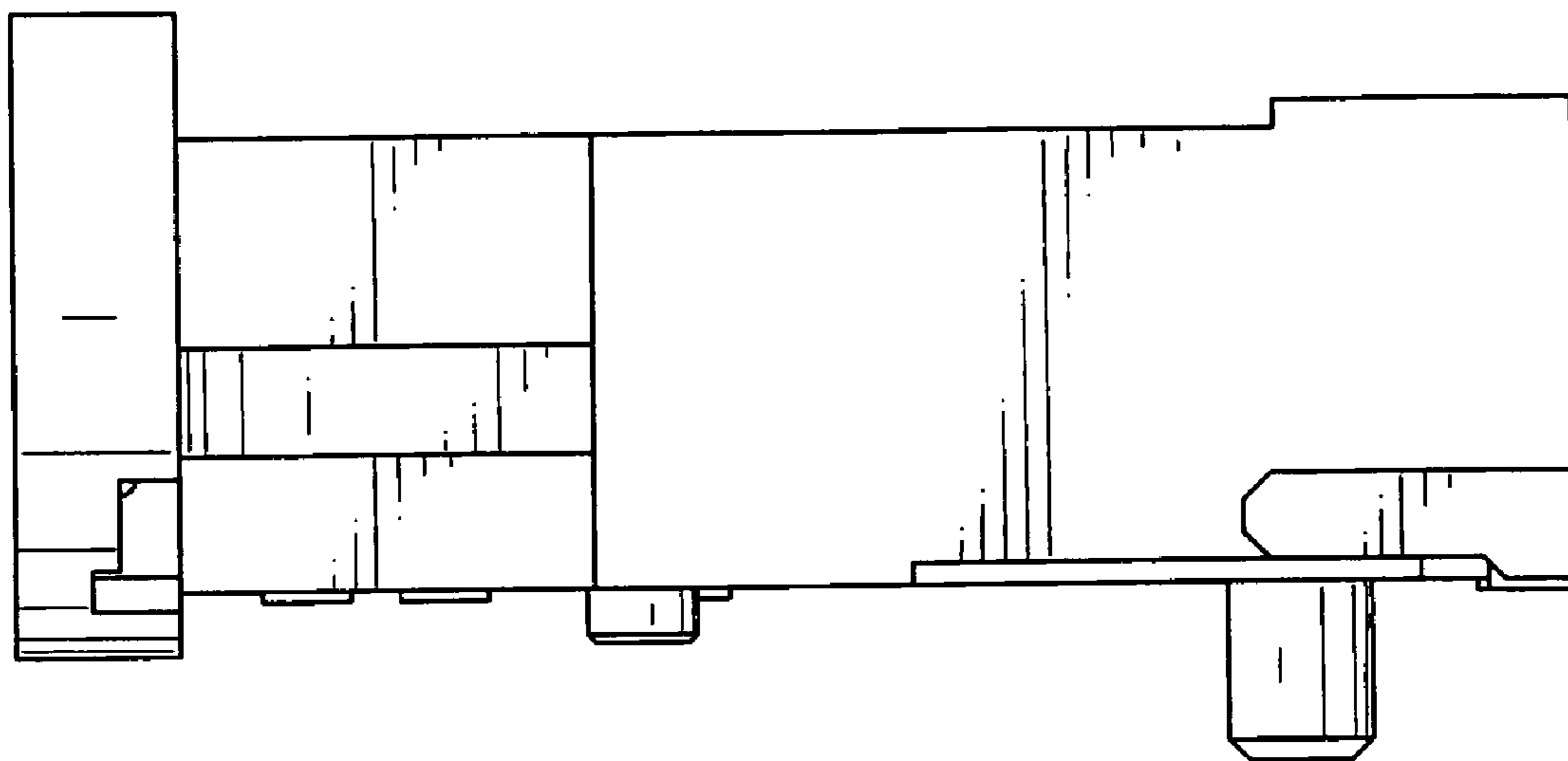


FIG.5

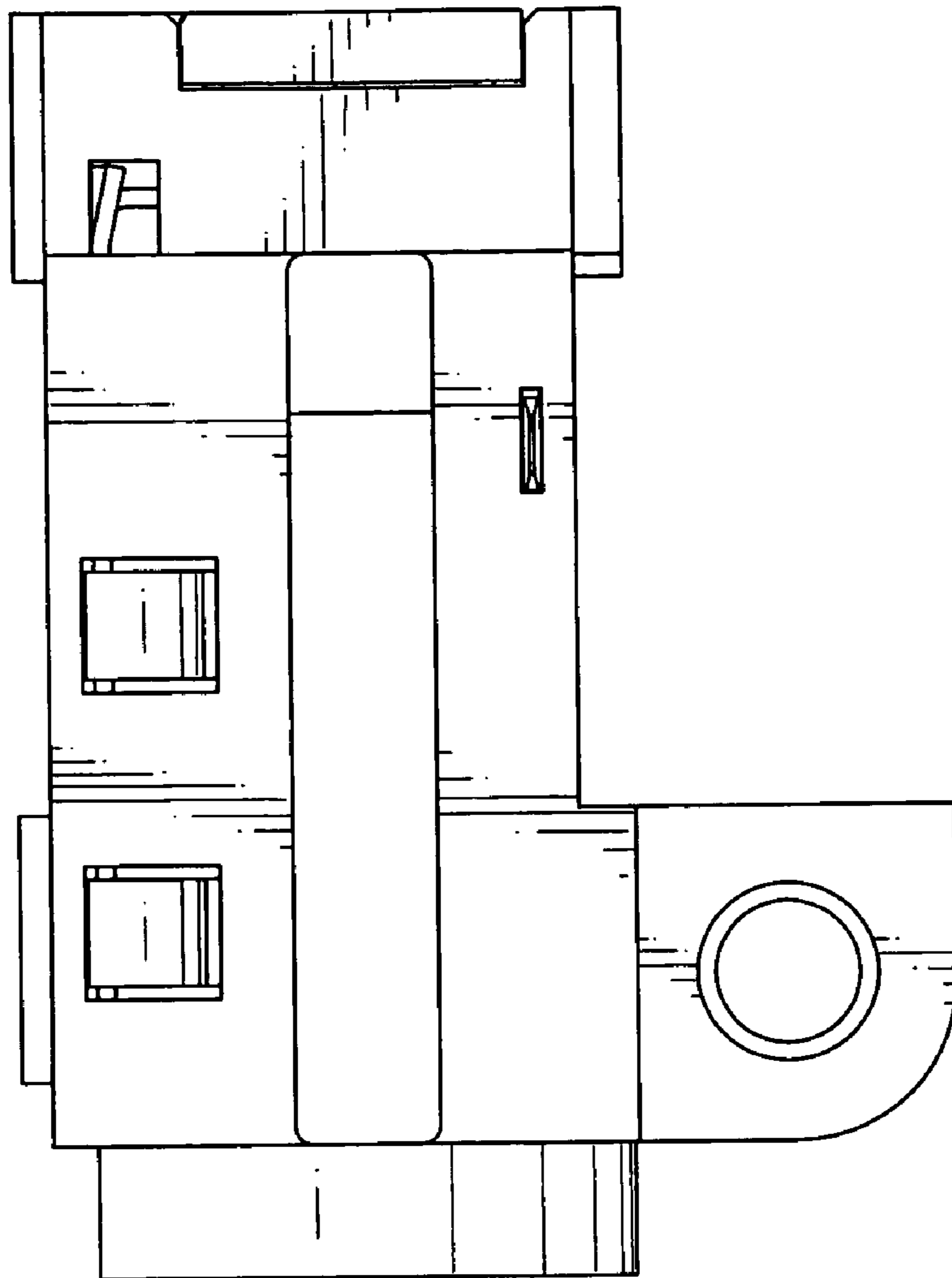


FIG.6

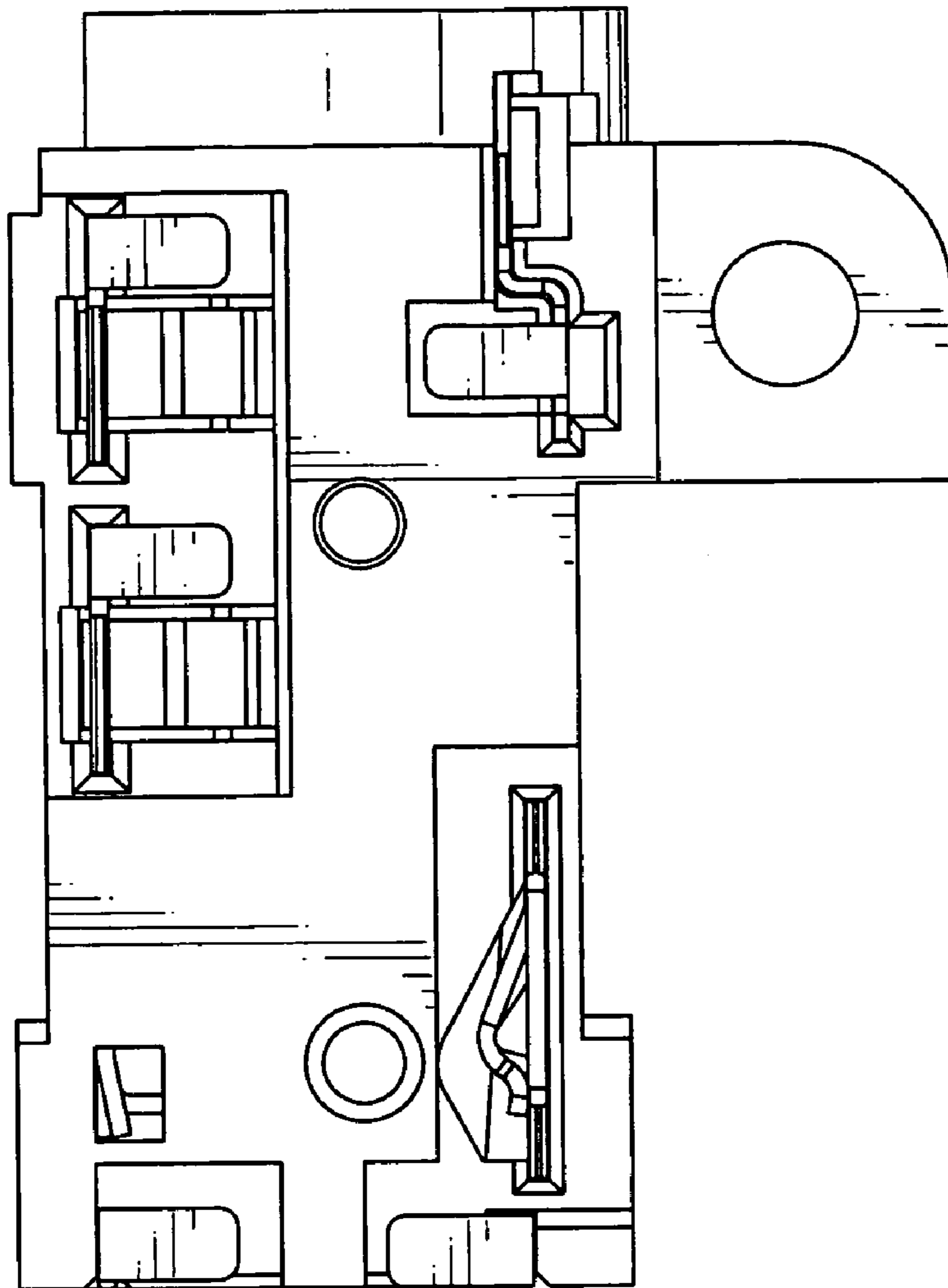


FIG. 7

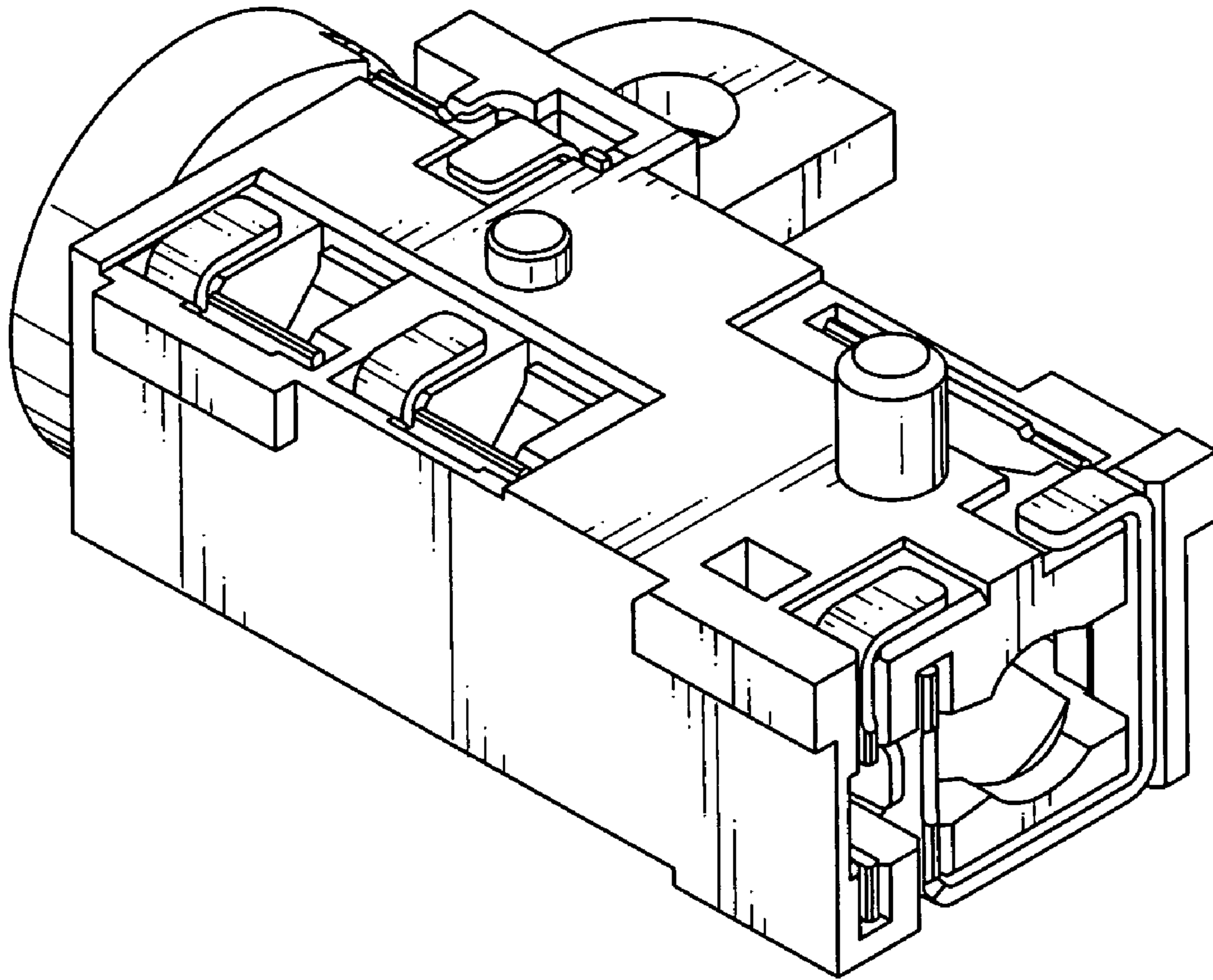


FIG.8

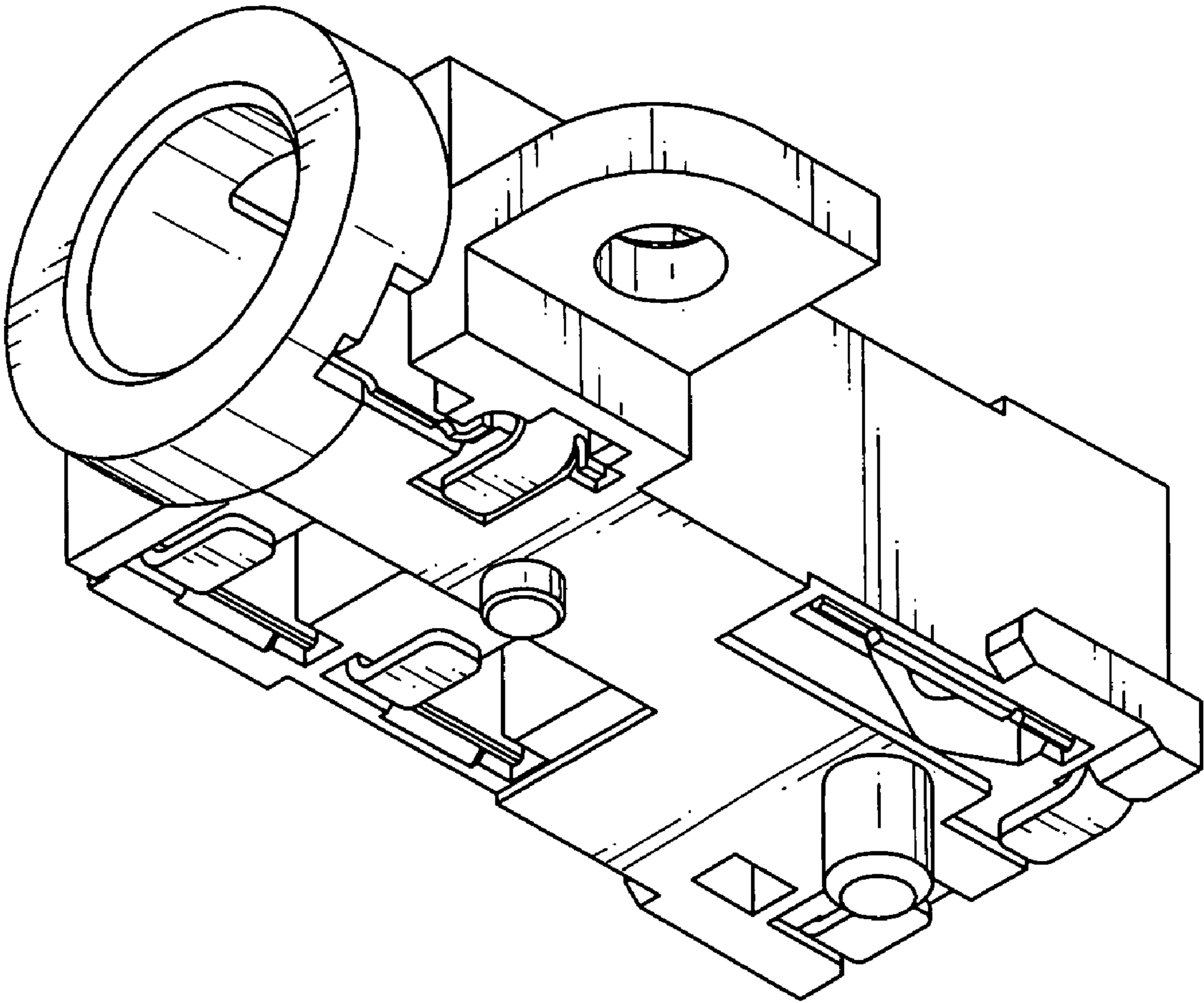


FIG.9