



US00D576550S

(12) **United States Design Patent**
Chen et al.

(10) **Patent No.:** **US D576,550 S**

(45) **Date of Patent:** **** Sep. 9, 2008**

(54) **SPEAKER CONNECTOR**

(75) Inventors: **Ming Chiang Chen**, Tu-Cheng (TW);
Ping Chih Chen, Tu-Cheng (TW); **Feng Xiang Li**, Tu-Cheng (TW)

(73) Assignee: **Cheng Uei Precision Industry Co., Ltd.**, Taipei Hsien (TW)

(**) Term: **14 Years**

(21) Appl. No.: **29/287,817**

(22) Filed: **Sep. 24, 2007**

(51) **LOC (8) Cl.** **13-03**

(52) **U.S. Cl.** **D13/133**

(58) **Field of Classification Search** D13/133,
D13/146, 147, 151, 154, 184, 199; 439/63,
439/350, 581, 582, 585, 732, 842, 852, 854-857
See application file for complete search history.

(56) **References Cited**

U.S. PATENT DOCUMENTS

D355,408 S *	2/1995	Geis et al.	D13/138.1
D383,727 S *	9/1997	Caruso et al.	D13/156
D447,117 S *	8/2001	Ko	D13/133
6,435,908 B1 *	8/2002	Ko	439/585
D511,748 S *	11/2005	Caine et al.	D13/154
2002/0160645 A1 *	10/2002	Nagamine et al.	439/352

2006/0084314 A1 *	4/2006	Takizawa	439/352
2007/0217631 A1 *	9/2007	Ho	381/122
2008/0096420 A1 *	4/2008	Zeng	439/582

* cited by examiner

Primary Examiner—Daniel D Bui

Assistant Examiner—Thomas J Johannes

(74) *Attorney, Agent, or Firm*—Rosenberg, Klein & Lee

(57) **CLAIM**

The ornamental design for a speaker connector, as shown and described.

DESCRIPTION

FIG. 1 is a perspective view of a speaker connector showing our new design;

FIG. 2 is a front elevational view thereof;

FIG. 3 is a rear elevational view thereof;

FIG. 4 is a left side elevational view thereof;

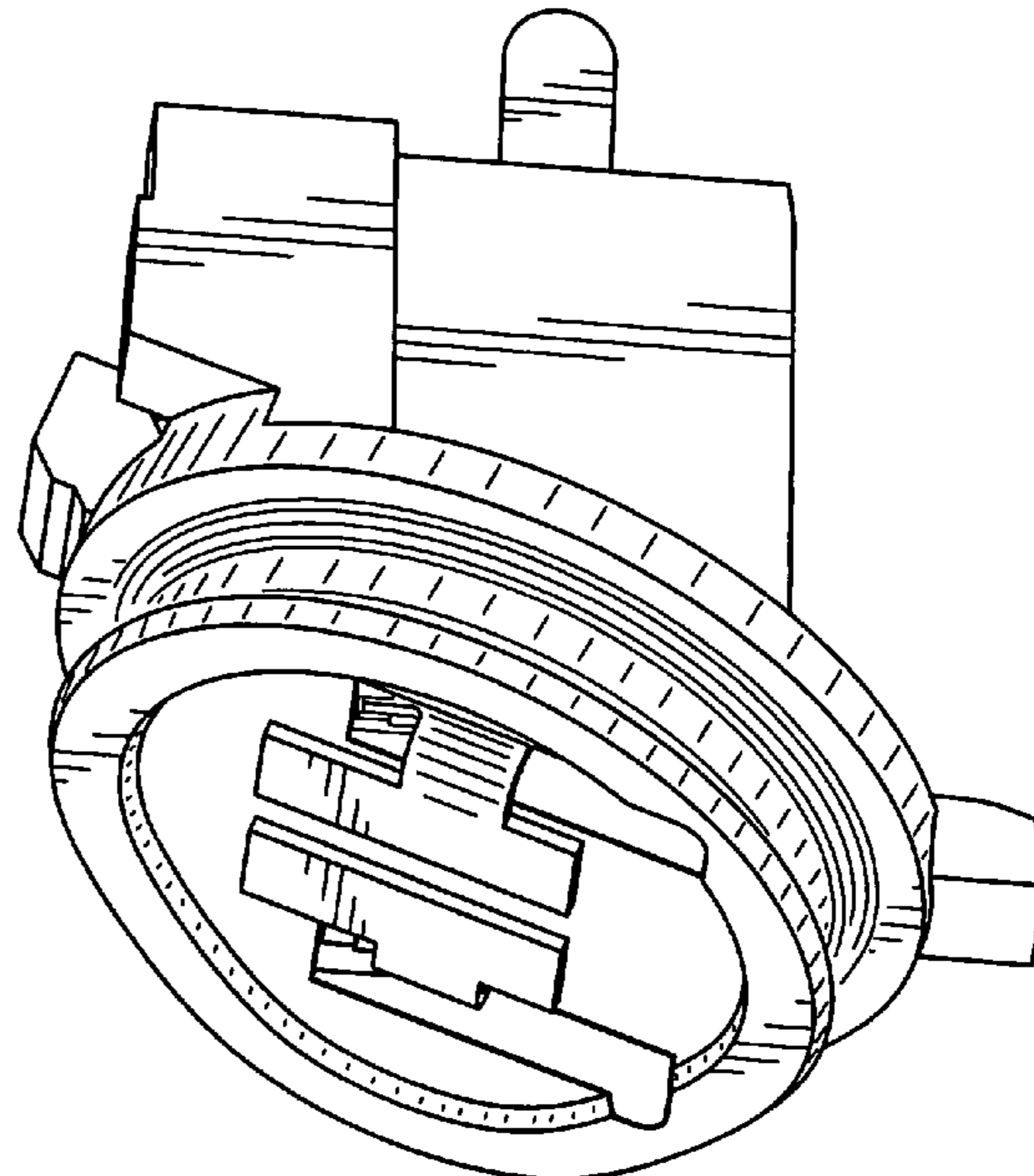
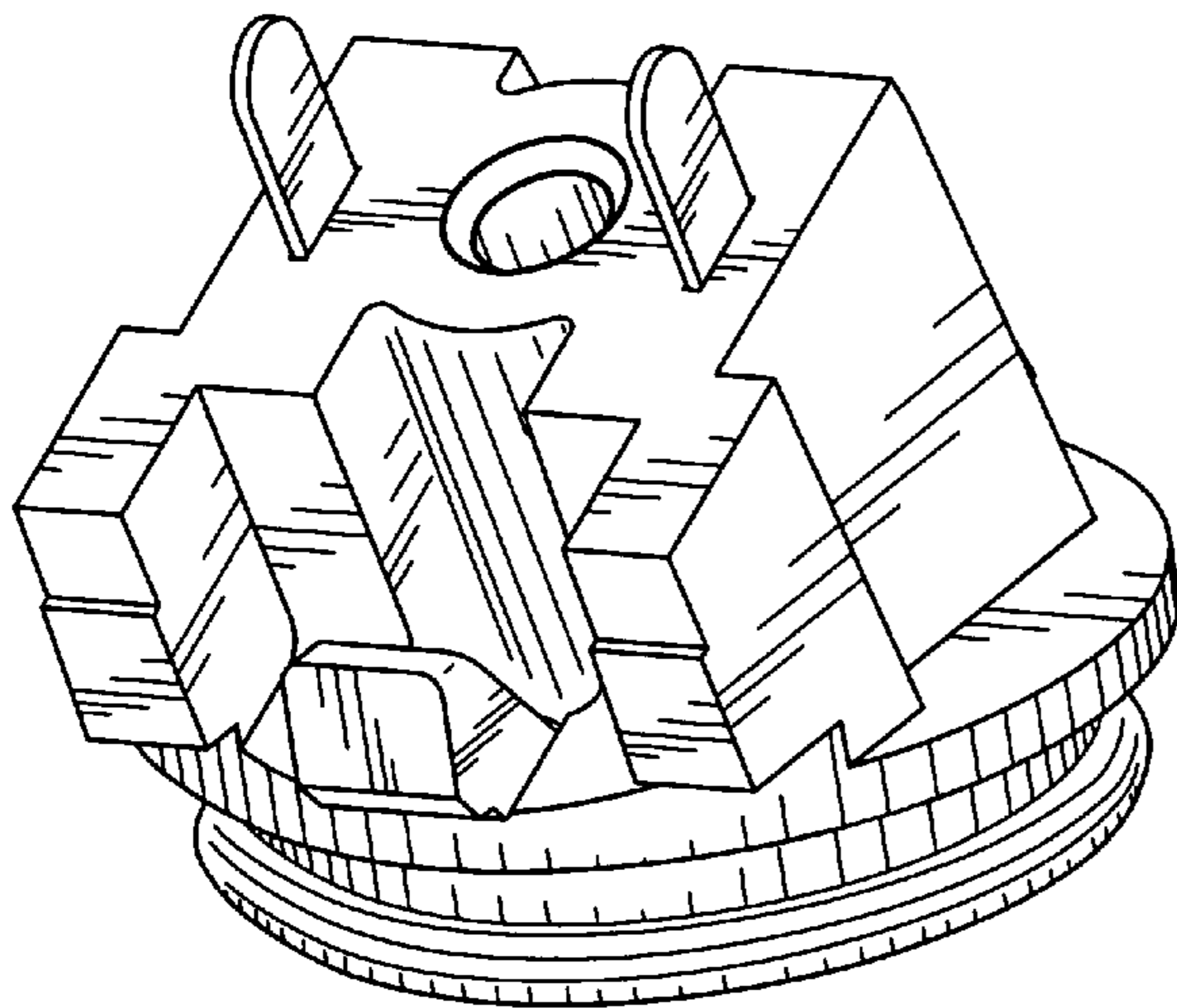
FIG. 5 is a right side elevational view thereof;

FIG. 6 is a top plan view thereof;

FIG. 7 is a bottom plan view thereof; and,

FIG. 8 is another perspective view of the speaker connector showing our new design.

1 Claim, 8 Drawing Sheets



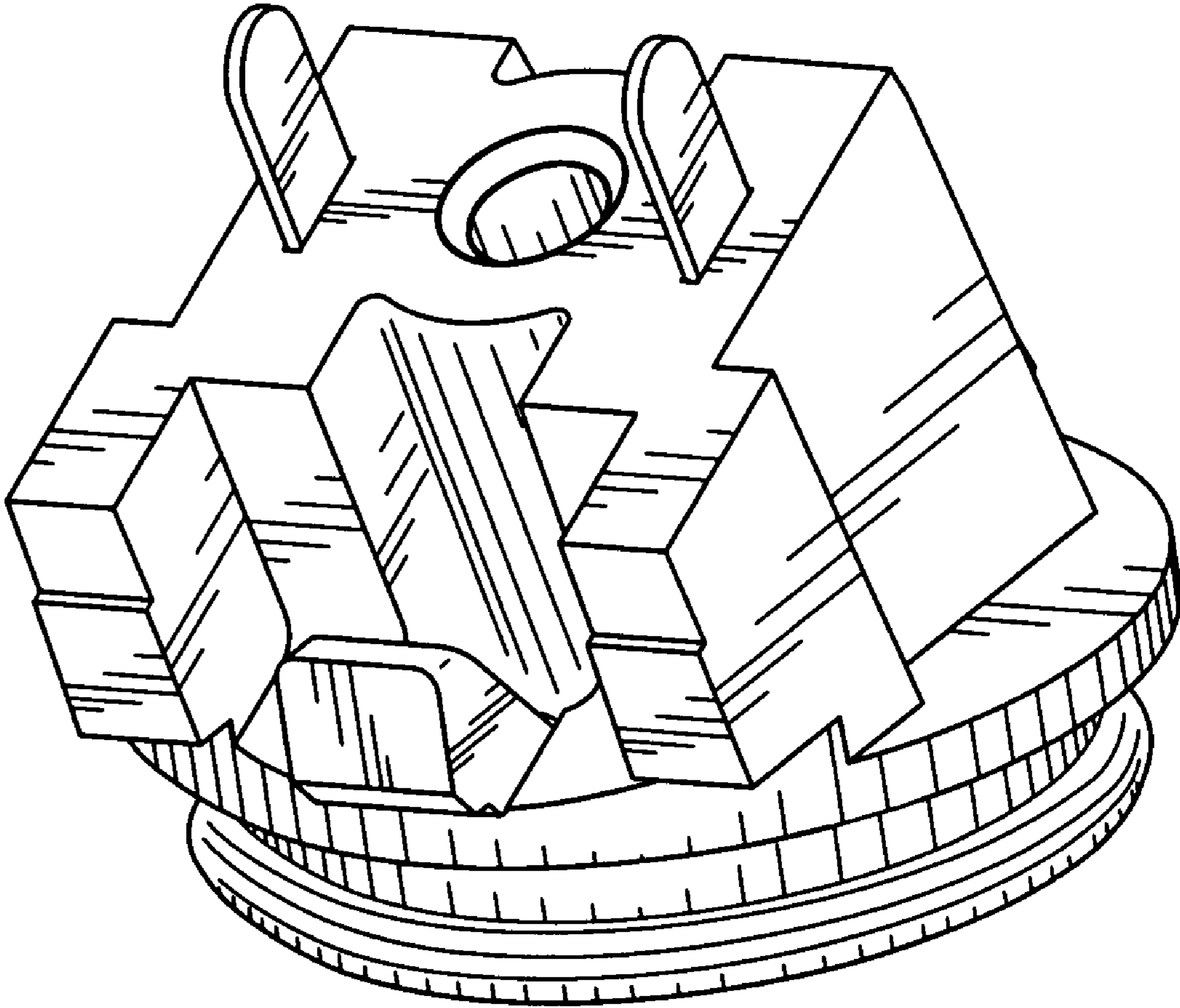


FIG. 1

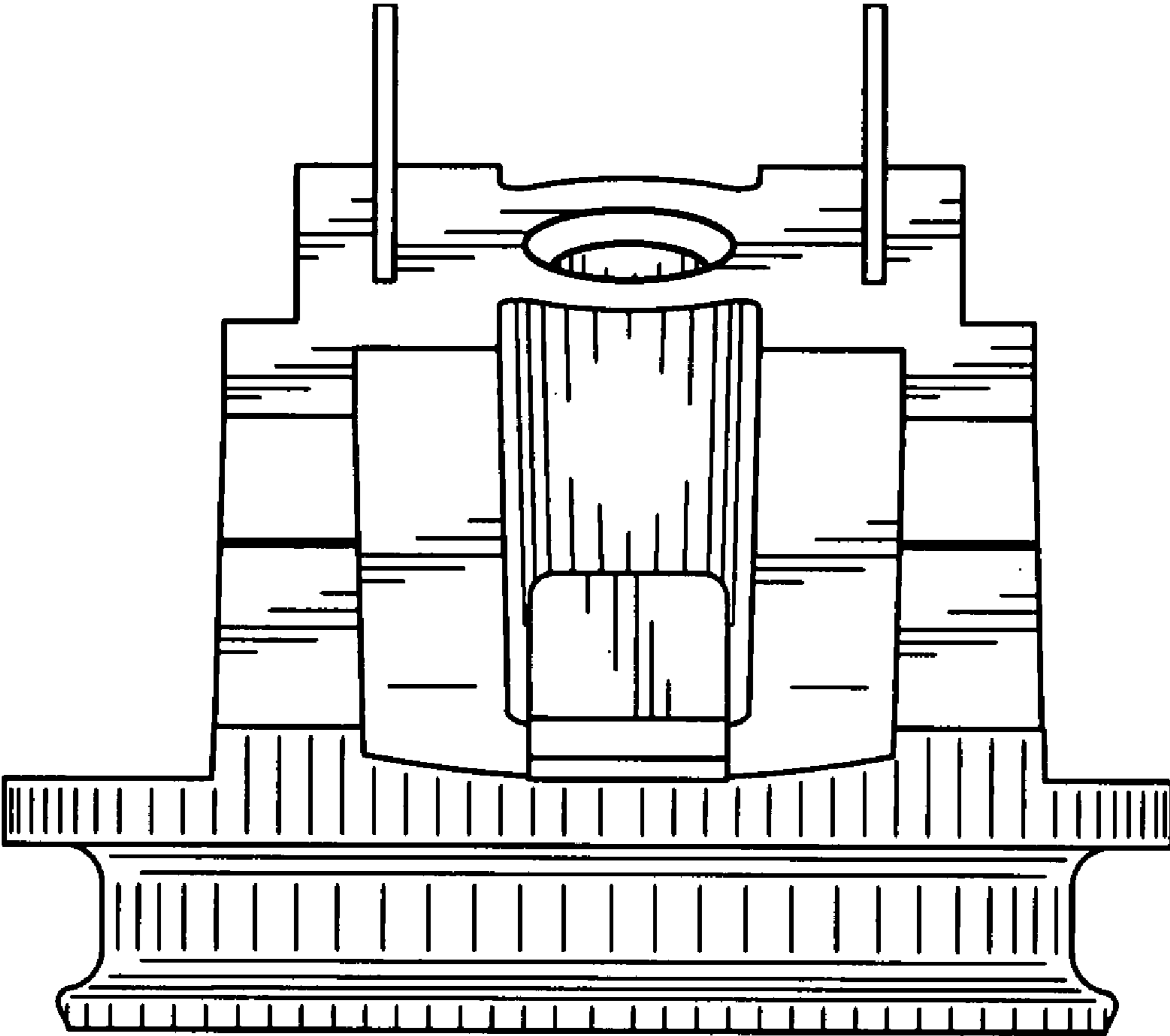


FIG. 2

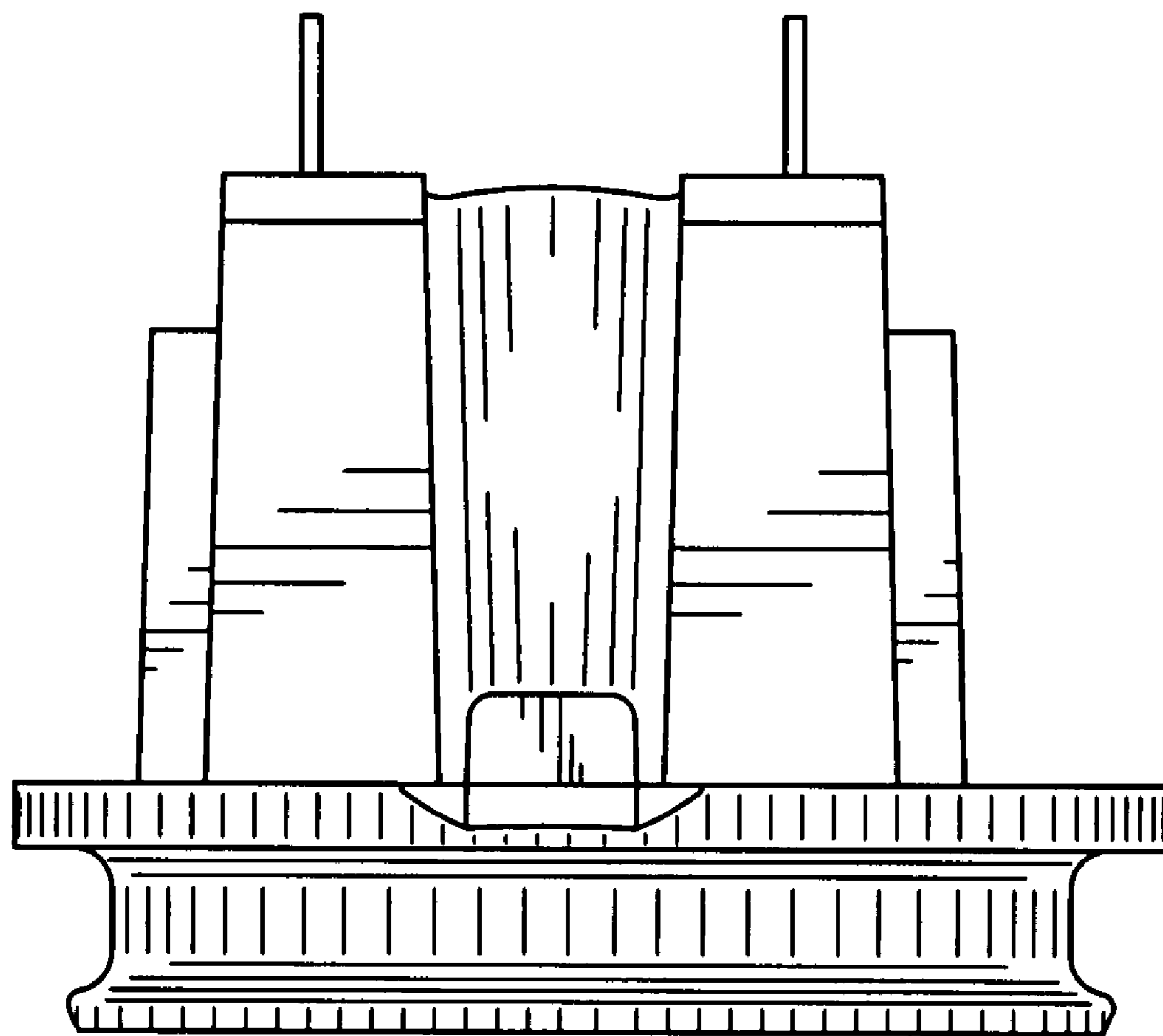


FIG. 3

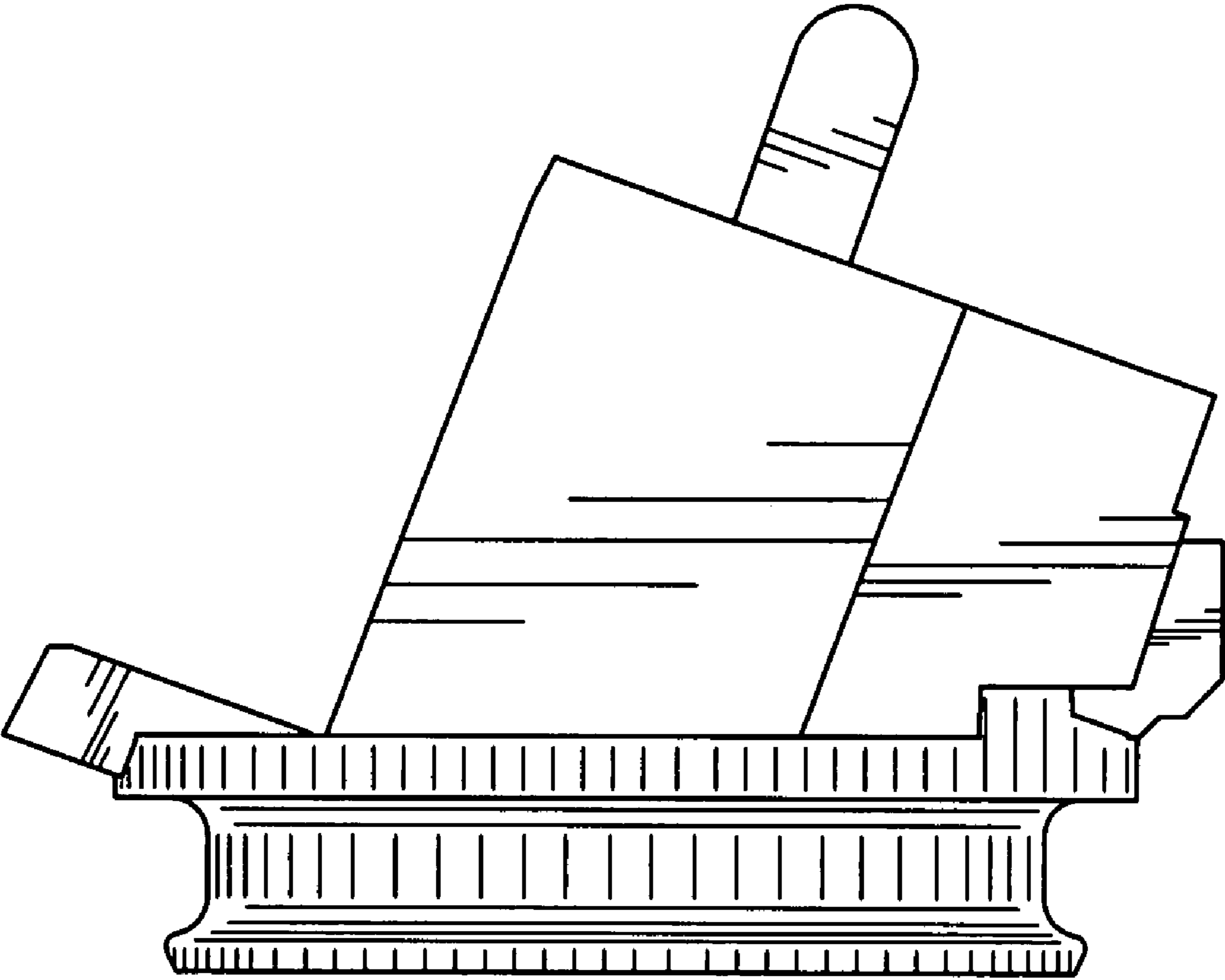


FIG. 4

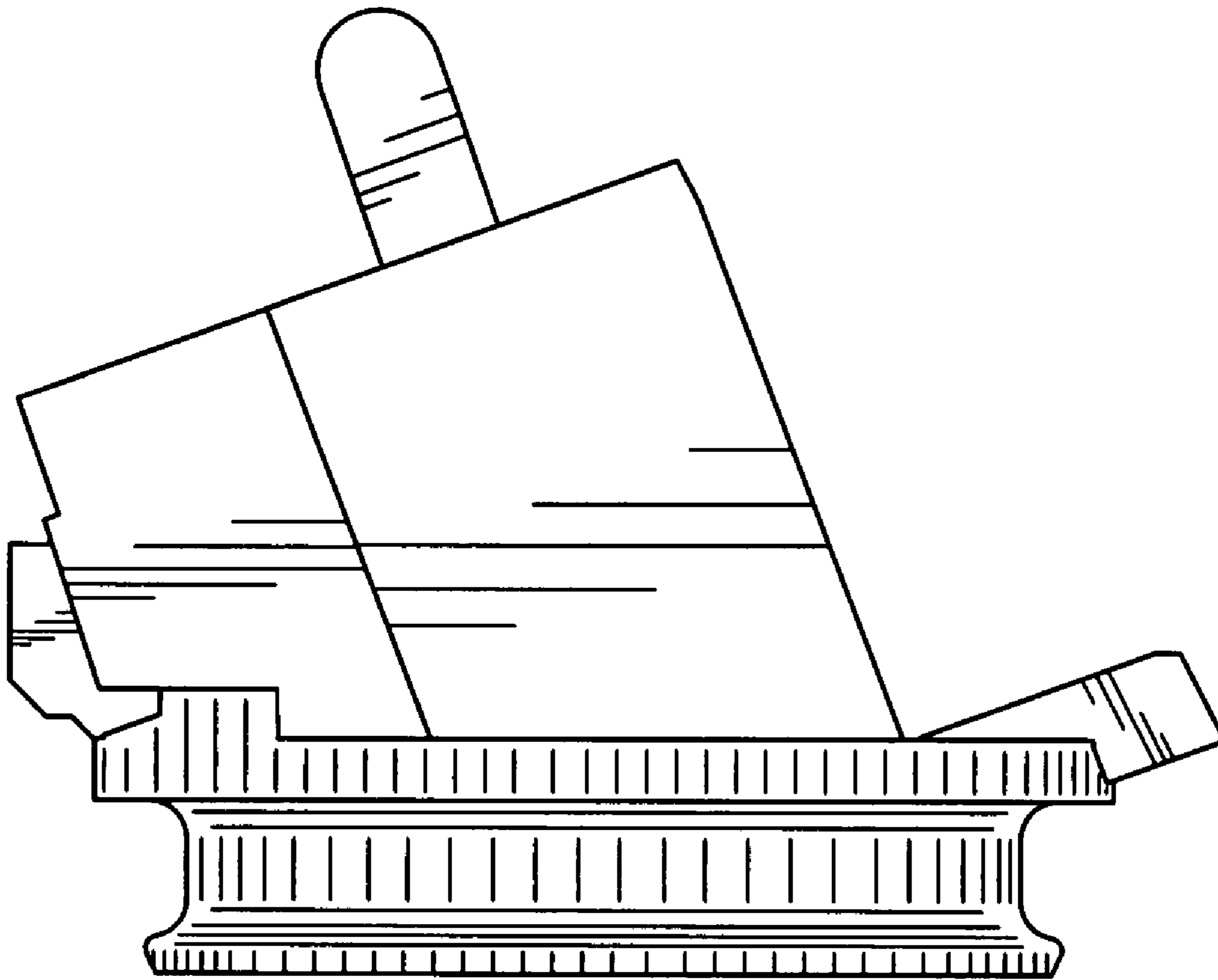


FIG. 5

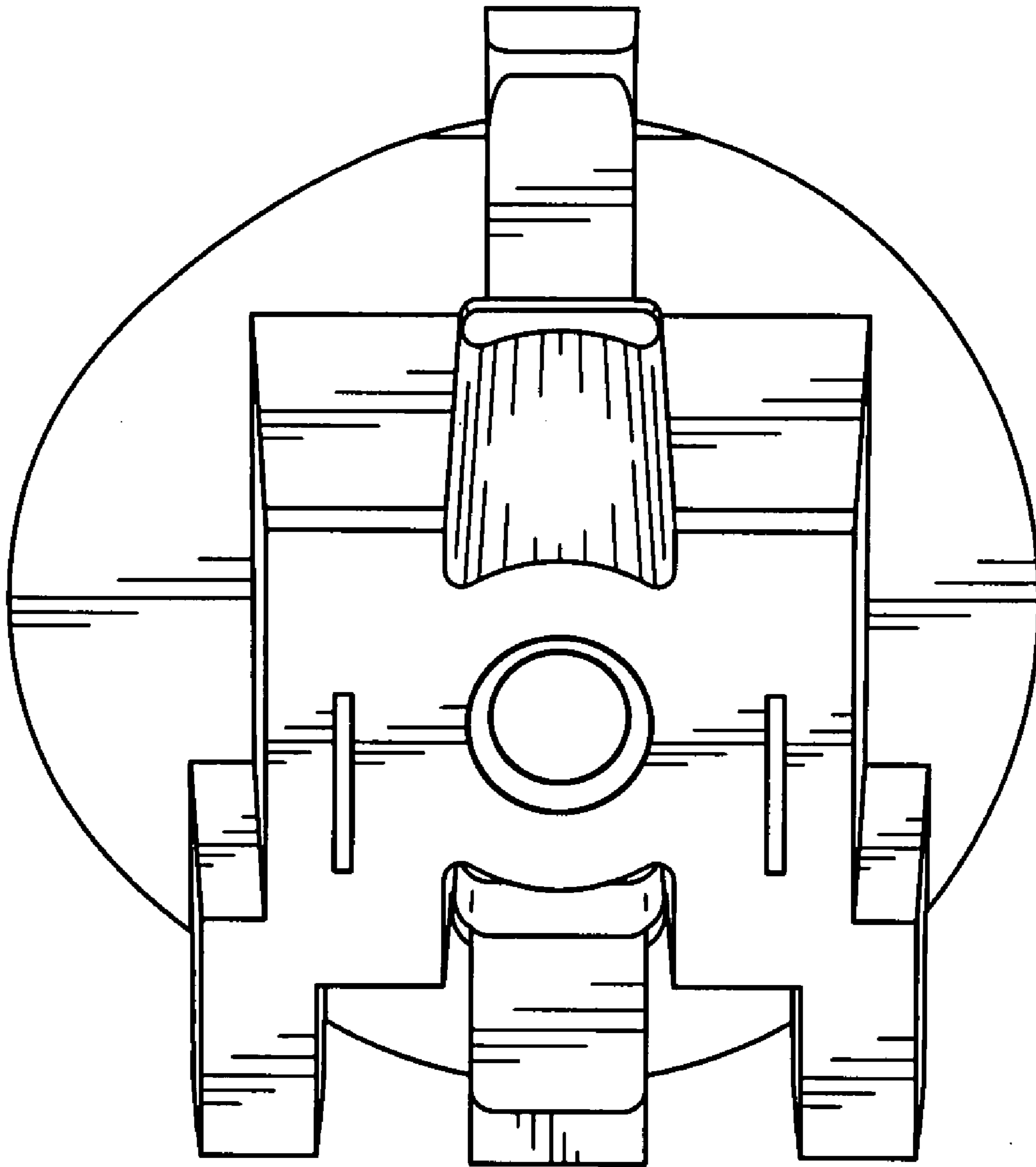


FIG. 6

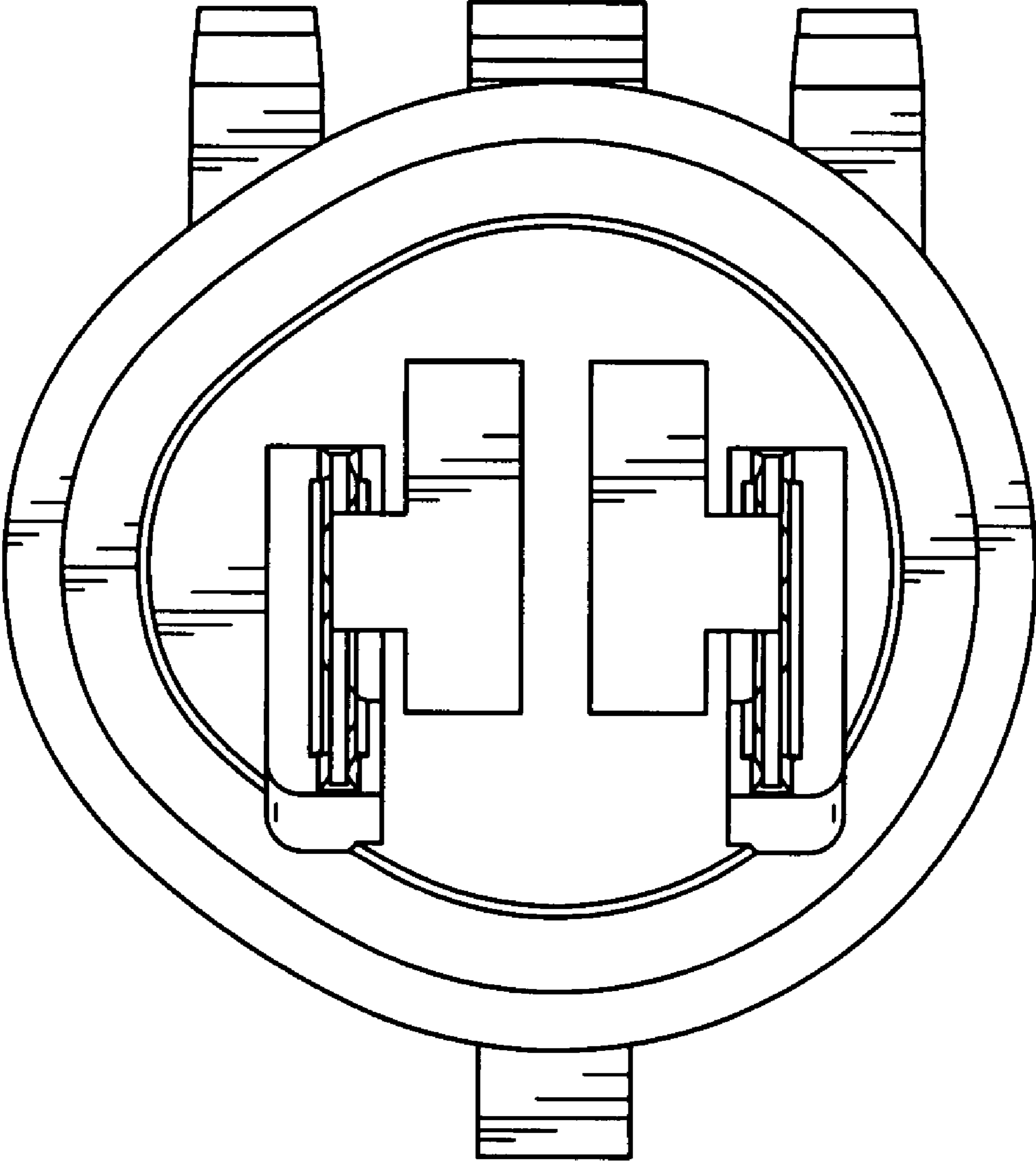


FIG. 7

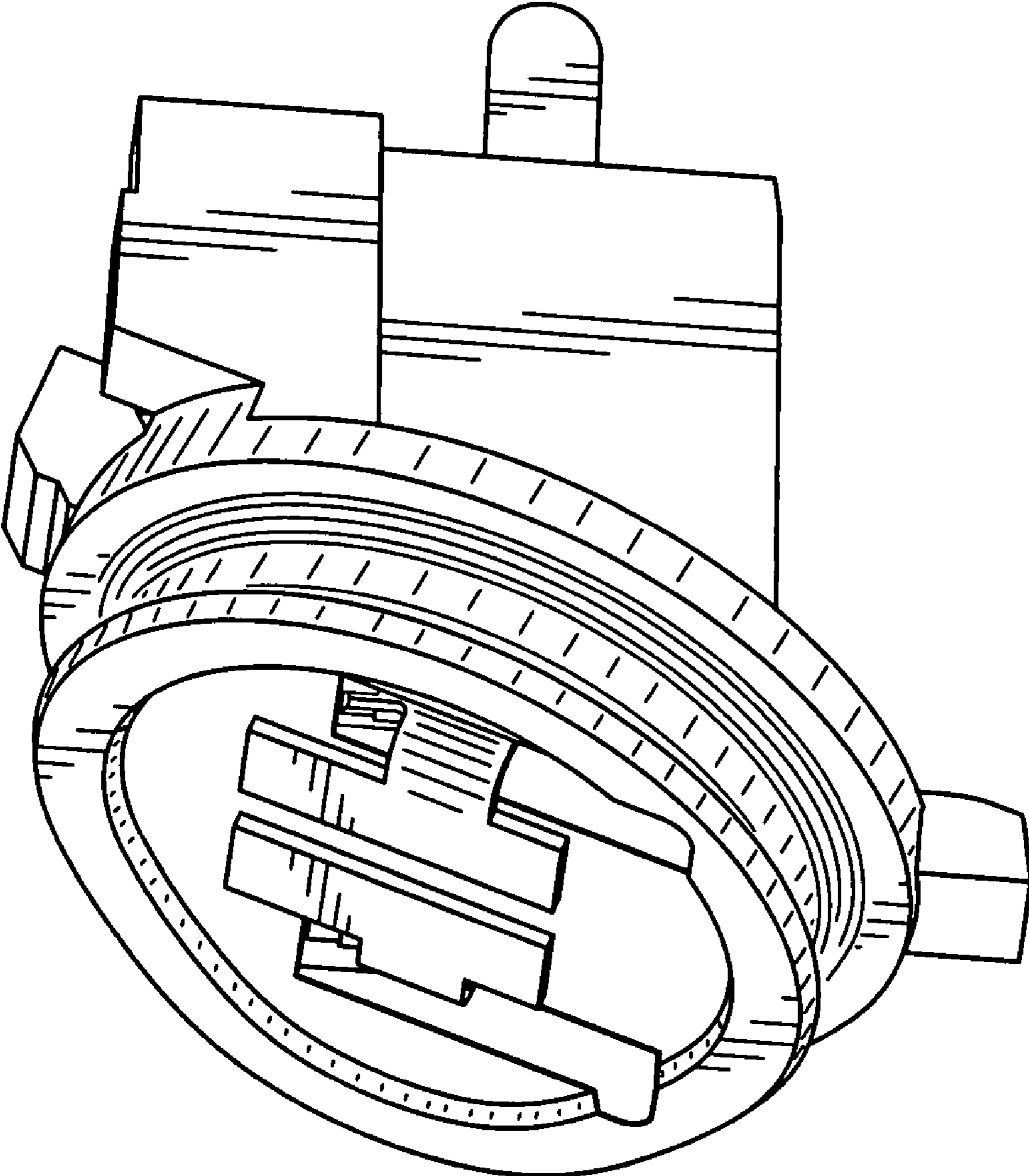


FIG. 8