



US00D576546S

(12) **United States Design Patent**  
**Yang**

(10) **Patent No.:** **US D576,546 S**

(45) **Date of Patent:** **\*\* Sep. 9, 2008**

(54) **BATTERY CHARGER**

(75) Inventor: **Fu-I Yang**, Taoyuan (TW)

(73) Assignee: **Samya Technology Co., Ltd.**, Taoyuan County (TW)

(\*\*) Term: **14 Years**

(21) Appl. No.: **29/287,291**

(22) Filed: **Jul. 19, 2007**

(51) **LOC (8) Cl.** ..... **13-02**

(52) **U.S. Cl.** ..... **D13/107**

(58) **Field of Classification Search** ..... D13/107-110,  
D13/118-119, 184; D14/251, 253, 432,  
D14/434; 320/107-115

See application file for complete search history.

(56) **References Cited**

**U.S. PATENT DOCUMENTS**

D268,341 S *	3/1983	Mallon	.....	D13/119
D358,821 S *	5/1995	Hellier et al.	.....	D14/253
D361,069 S *	8/1995	Hellier et al.	.....	D14/253
D417,189 S *	11/1999	Amero et al.	.....	D13/107
D443,856 S *	6/2001	Lehtovaara	.....	D13/107
D467,867 S *	12/2002	Hsiao	.....	D13/107
6,583,600 B2 *	6/2003	Haga et al.	.....	320/110
6,710,576 B1 *	3/2004	Kaufman et al.	.....	320/107
D532,370 S *	11/2006	Shimizu	.....	D13/108

D534,862 S *	1/2007	Aguilar	.....	D13/108
2003/0085685 A1 *	5/2003	Usui et al.	.....	320/112
2003/0085686 A1 *	5/2003	Haga et al.	.....	320/112
2004/0056636 A1 *	3/2004	Hsu	.....	320/107

\* cited by examiner

*Primary Examiner*—Jennifer Rivard

*Assistant Examiner*—Rosemary K Tarcza

(74) *Attorney, Agent, or Firm*—Rosenberg, Klein & Lee

(57) **CLAIM**

The ornamental design for a battery charger, as shown and described.

**DESCRIPTION**

FIG. 1 is a right perspective view of a battery charger showing my new design;

FIG. 2 is a front elevational view thereof;

FIG. 3 is a rear elevational view thereof;

FIG. 4 is a left side elevational view thereof;

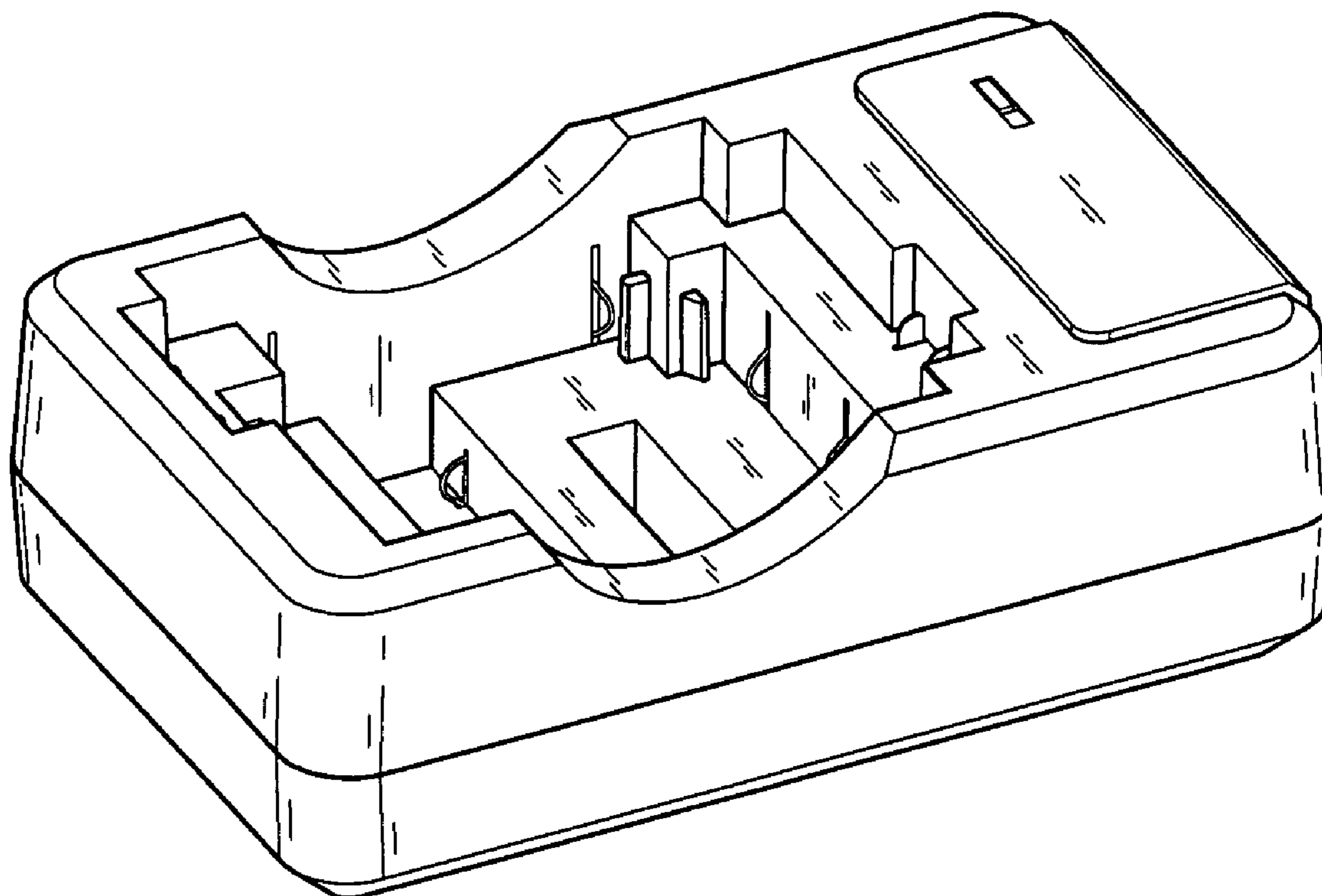
FIG. 5 is a right side elevational view thereof;

FIG. 6 is a top plan view thereof; and,

FIG. 7 is a bottom plan view thereof.

Features shown in broken lines are included for illustrative purposes and do not form a part of the claimed design.

**1 Claim, 5 Drawing Sheets**



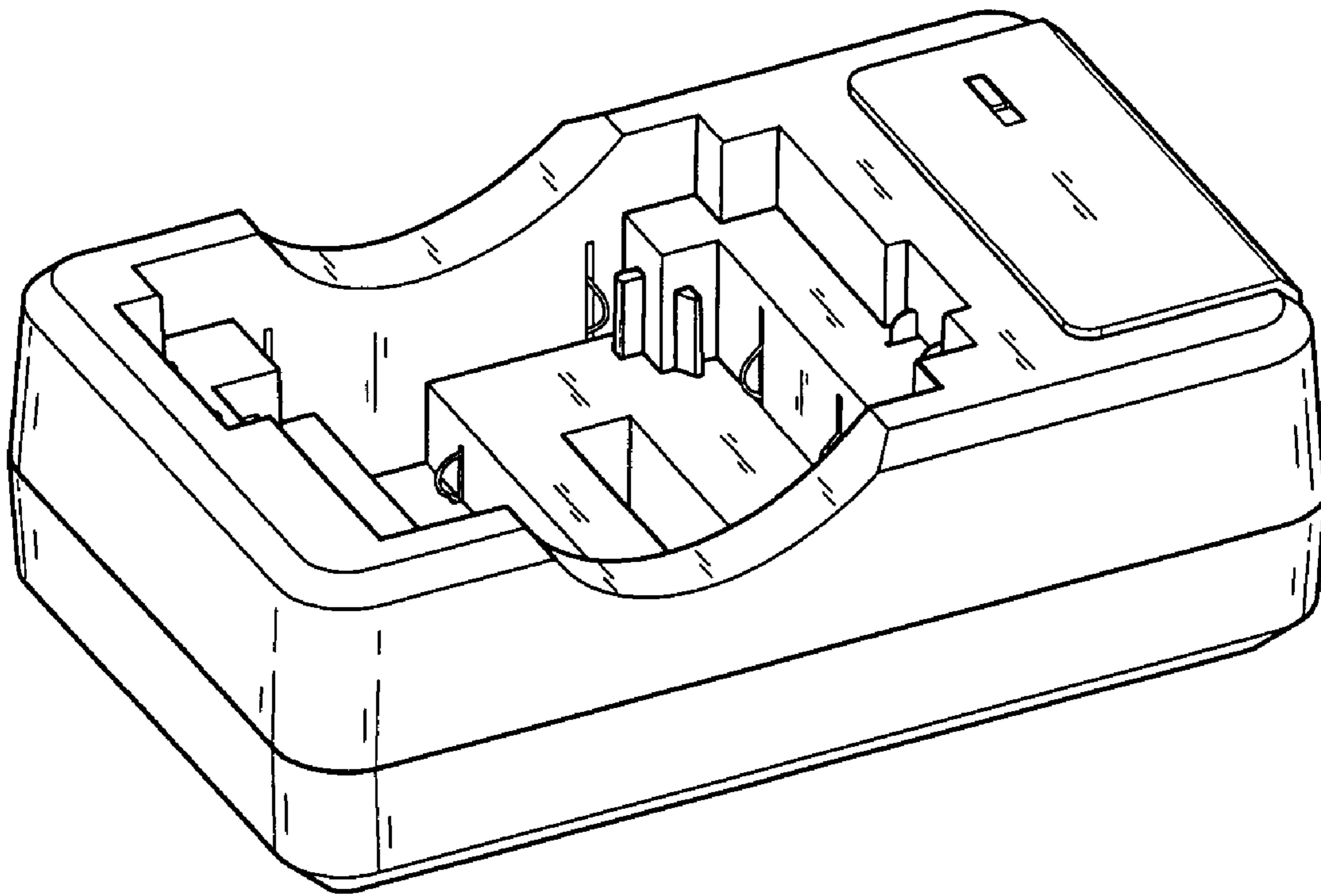


FIG.1

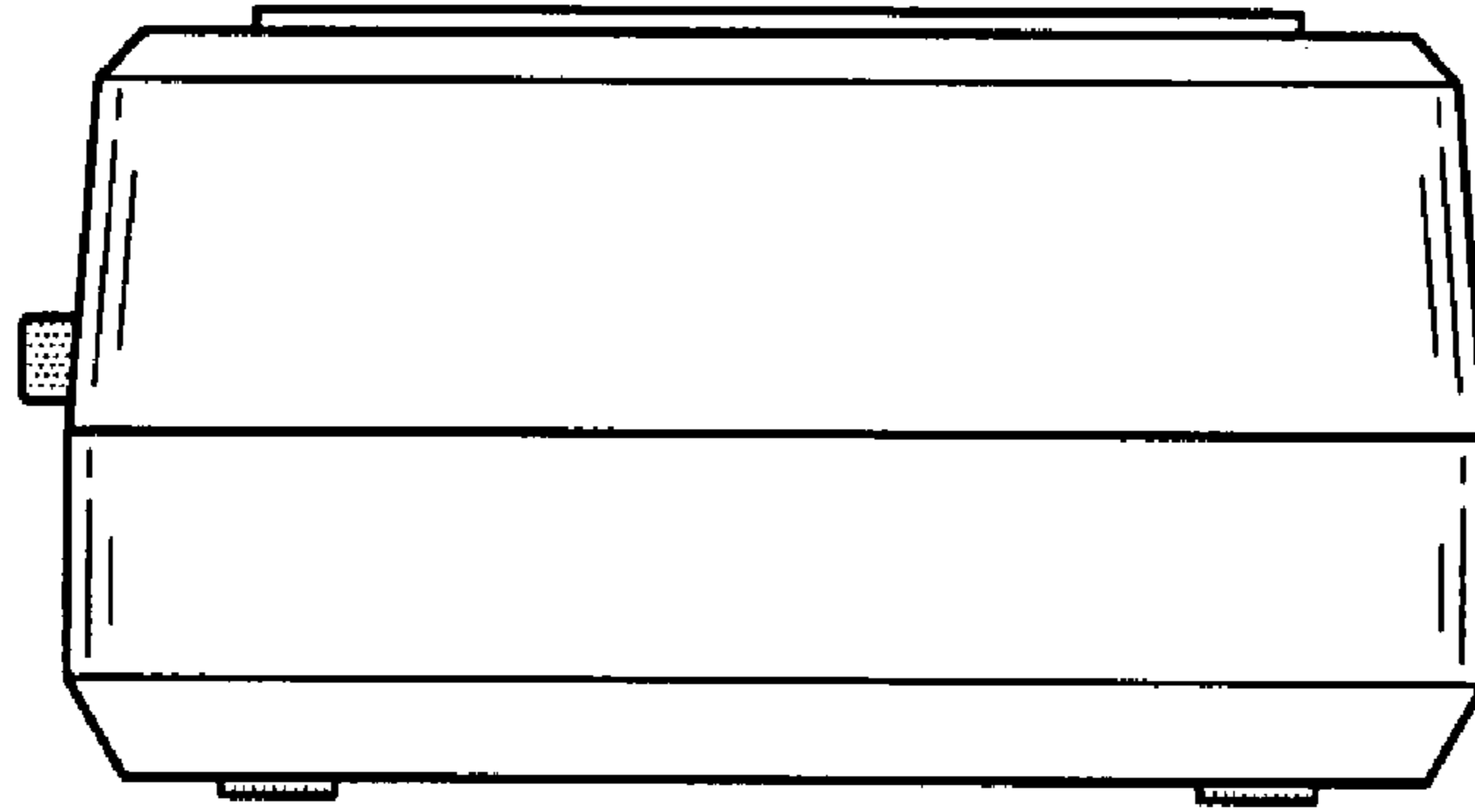


FIG. 2

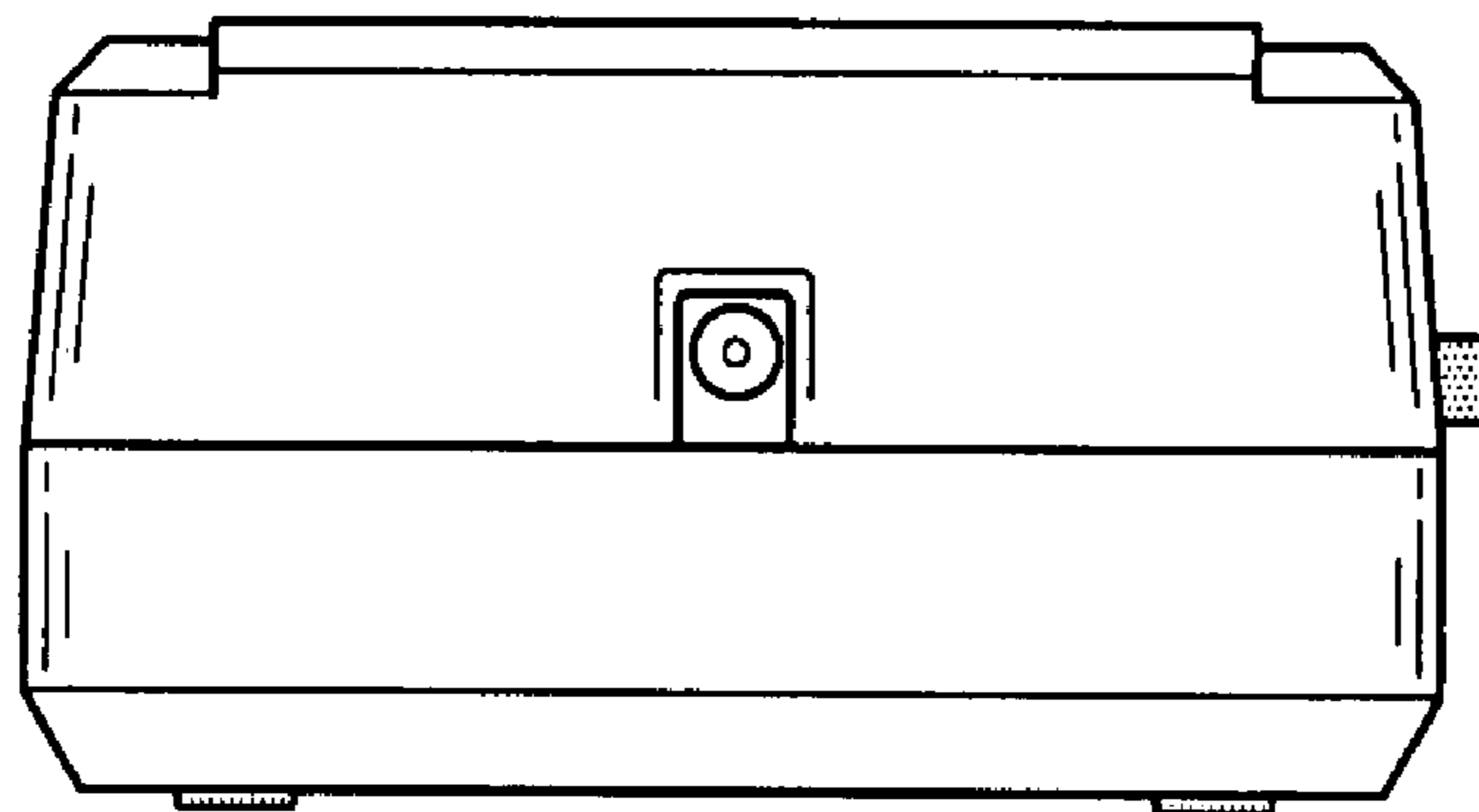


FIG. 3

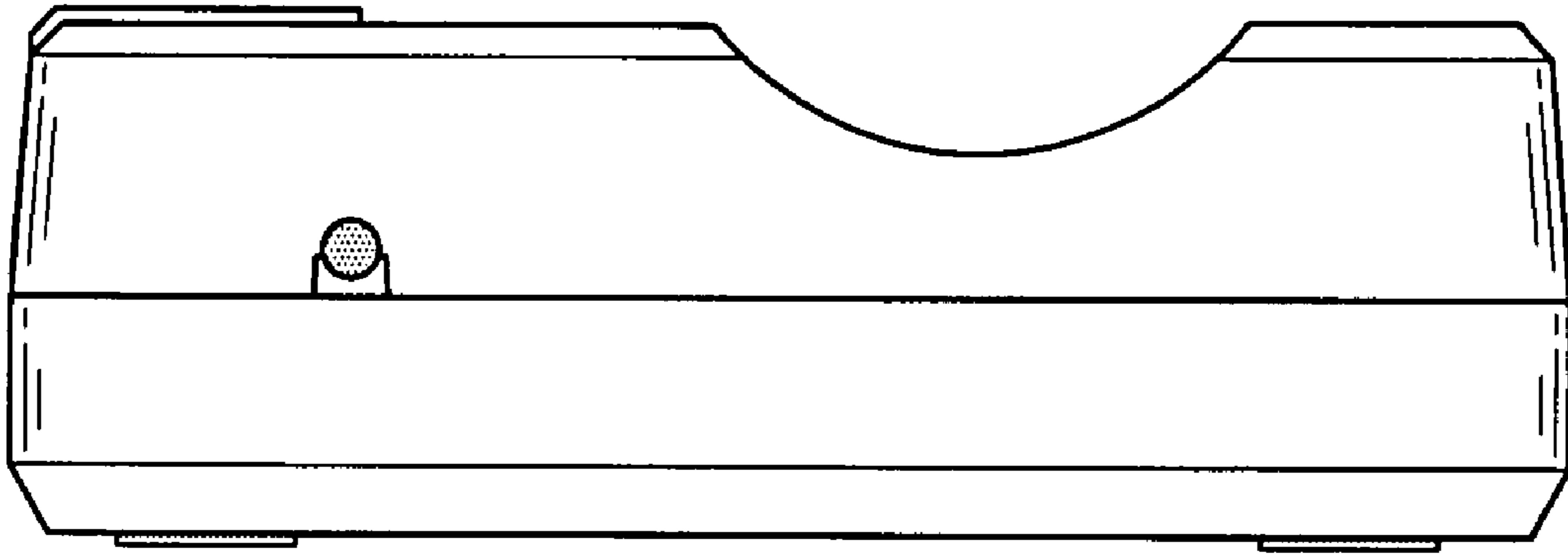


FIG.4

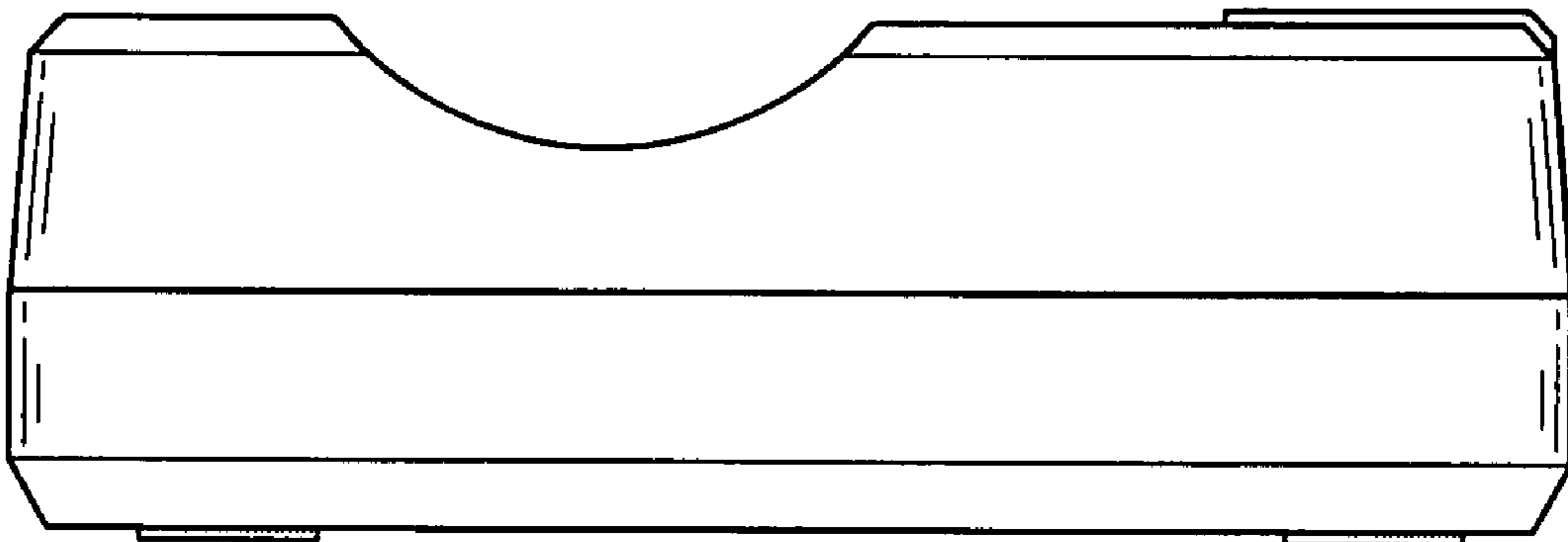


FIG.5

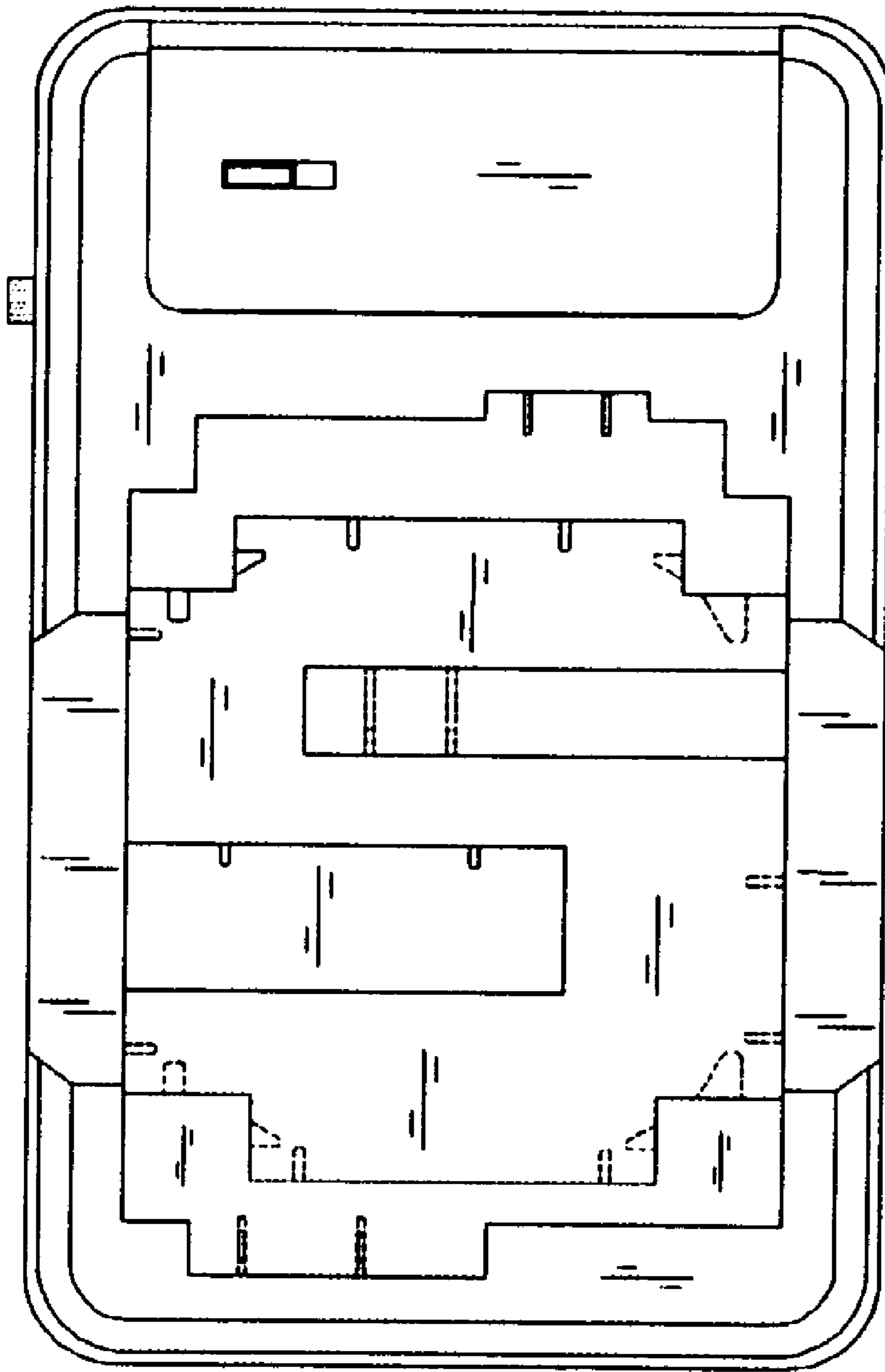


FIG.6

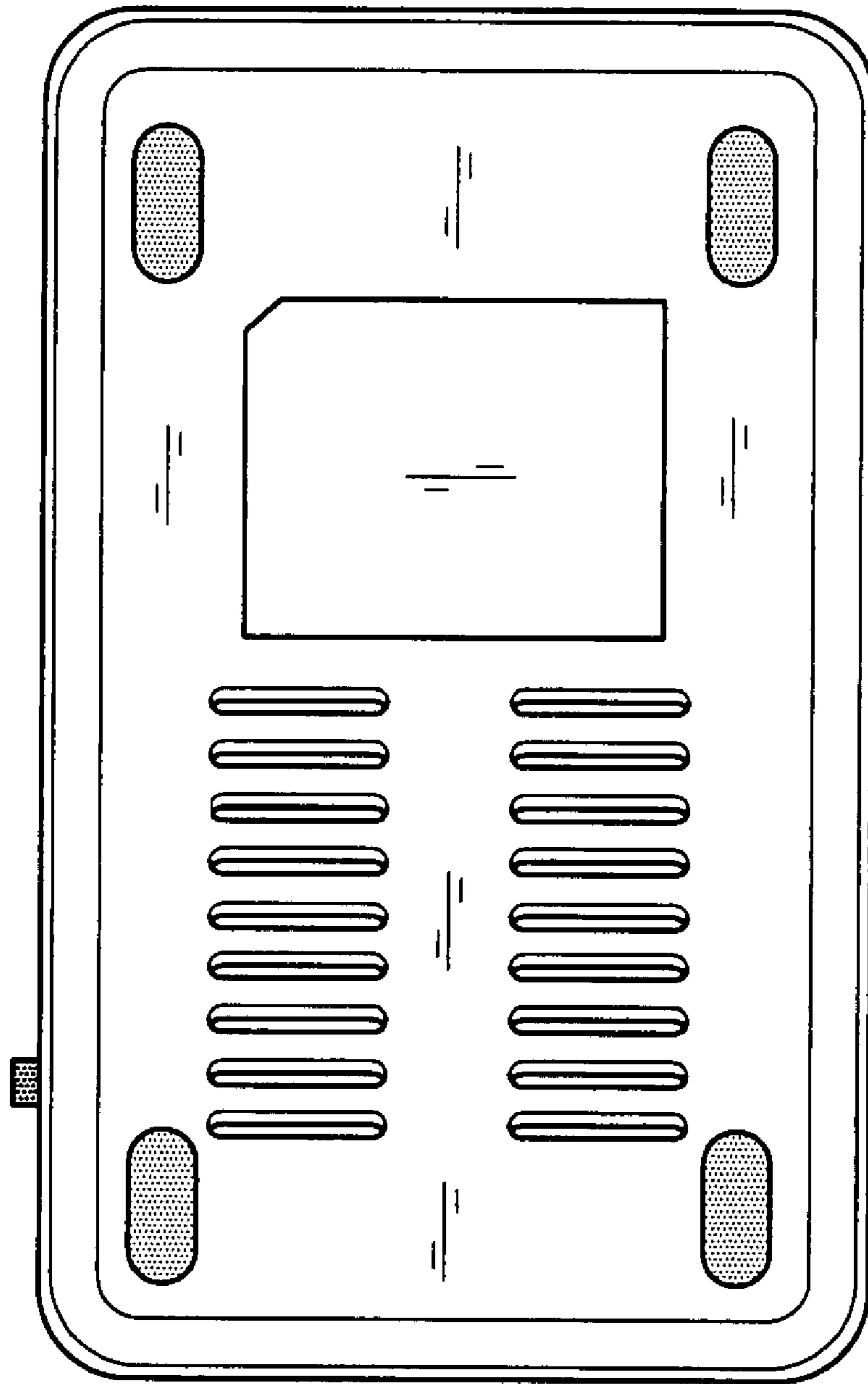


FIG.7