



US00D576545S

(12) **United States Design Patent**  
**Mandel et al.**

(10) **Patent No.:** **US D576,545 S**  
(45) **Date of Patent:** **\*\* Sep. 9, 2008**

(54) **RECHARGEABLE BATTERY**

(75) Inventors: **Steven J. Mandel**, New York, NY (US);  
**Paul Metaxatos**, Swampscott, MA (US);  
**Jesse Perreault**, Cambridge, MA (US);  
**Eric Nichols**, Cambridge, MA (US)

(73) Assignee: **Arrow Fastener Co., Inc.**, Saddle Brook, NJ (US)

(\*\*) Term: **14 Years**

(21) Appl. No.: **29/297,851**

(22) Filed: **Nov. 20, 2007**

(51) **LOC (8) Cl.** ..... **13-02**

(52) **U.S. Cl.** ..... **D13/103**

(58) **Field of Classification Search** ..... D13/102–106,  
D13/110, 118–119, 184; 429/96–100, 163,  
429/176

See application file for complete search history.

(56) **References Cited**

**U.S. PATENT DOCUMENTS**

D345,341 S *	3/1994	Tattari et al.	.....	D13/119
D435,827 S *	1/2001	Rausch et al.	.....	D13/103
D475,679 S *	6/2003	Cooper et al.	.....	D13/103
D514,060 S *	1/2006	Wong et al.	.....	D13/103
D516,020 S *	2/2006	Wong et al.	.....	D13/103
D535,250 S *	1/2007	Watson	.....	D13/103
D550,152 S *	9/2007	Okuda et al.	.....	D13/103
D553,561 S *	10/2007	Maggert	.....	D13/103

D555,086 S *	11/2007	Zhang	.....	D13/103
D557,203 S *	12/2007	Grunow et al.	.....	D13/103
D564,444 S *	3/2008	Johnson et al.	.....	D13/103
D569,794 S *	5/2008	Zhang et al.	.....	D13/103

\* cited by examiner

*Primary Examiner*—Jennifer Rivard

*Assistant Examiner*—Rosemary K Tarcza

(74) *Attorney, Agent, or Firm*—Leon E. Redman; Lloyd D. Doigan

(57) **CLAIM**

The ornamental design for a rechargeable battery, as shown and described.

**DESCRIPTION**

FIG. 1 is a perspective view of a rechargeable battery showing our design;

FIG. 2 is a right side elevational view thereof;

FIG. 3 is a left side elevational view thereof;

FIG. 4 is a front elevational view thereof;

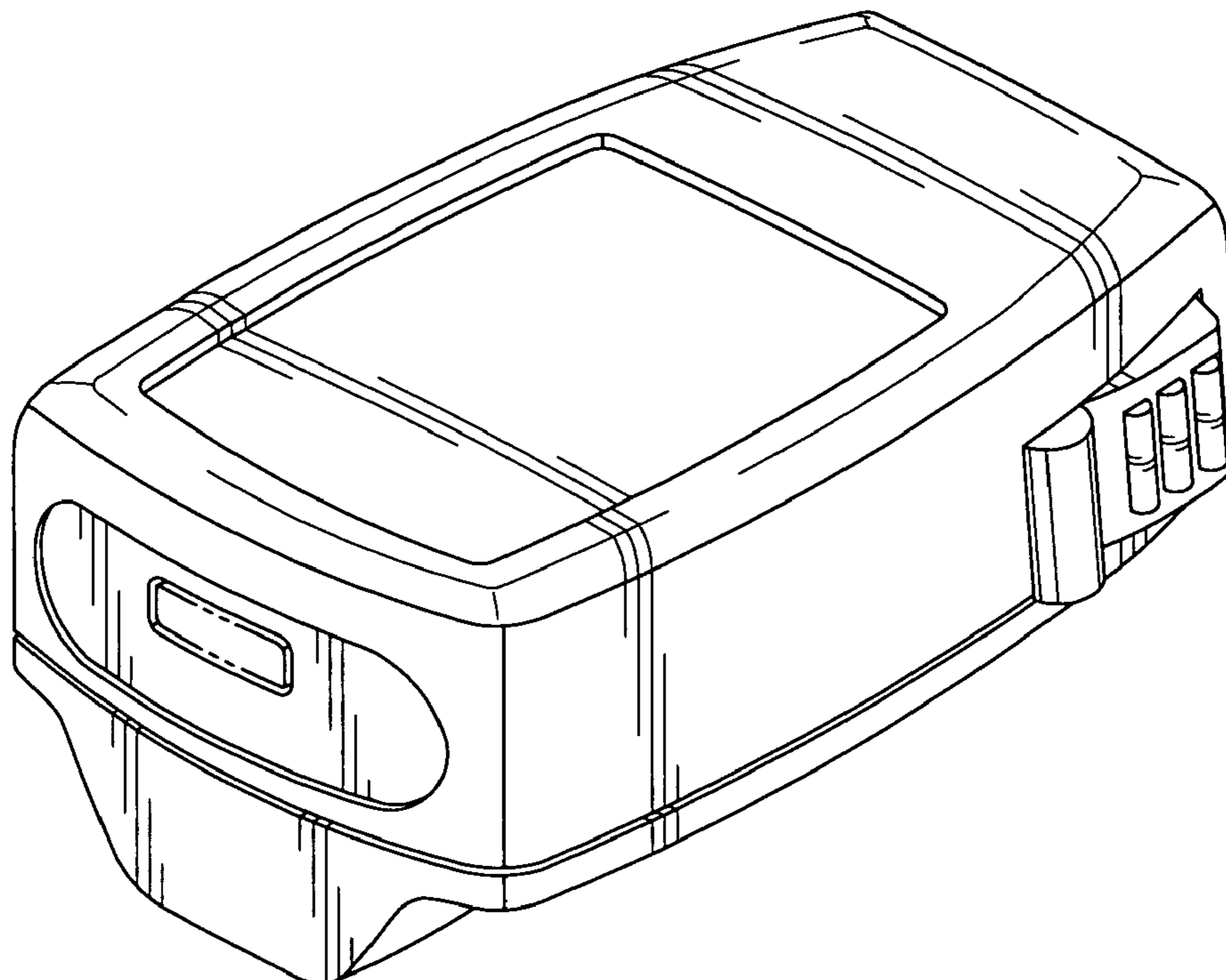
FIG. 5 is a rear elevational view thereof;

FIG. 6 is a top plan view thereof; and,

FIG. 7 is a bottom plan view thereof.

The broken lines are included for the purpose of illustrating environmental structure and form no part of the claimed design.

**1 Claim, 2 Drawing Sheets**



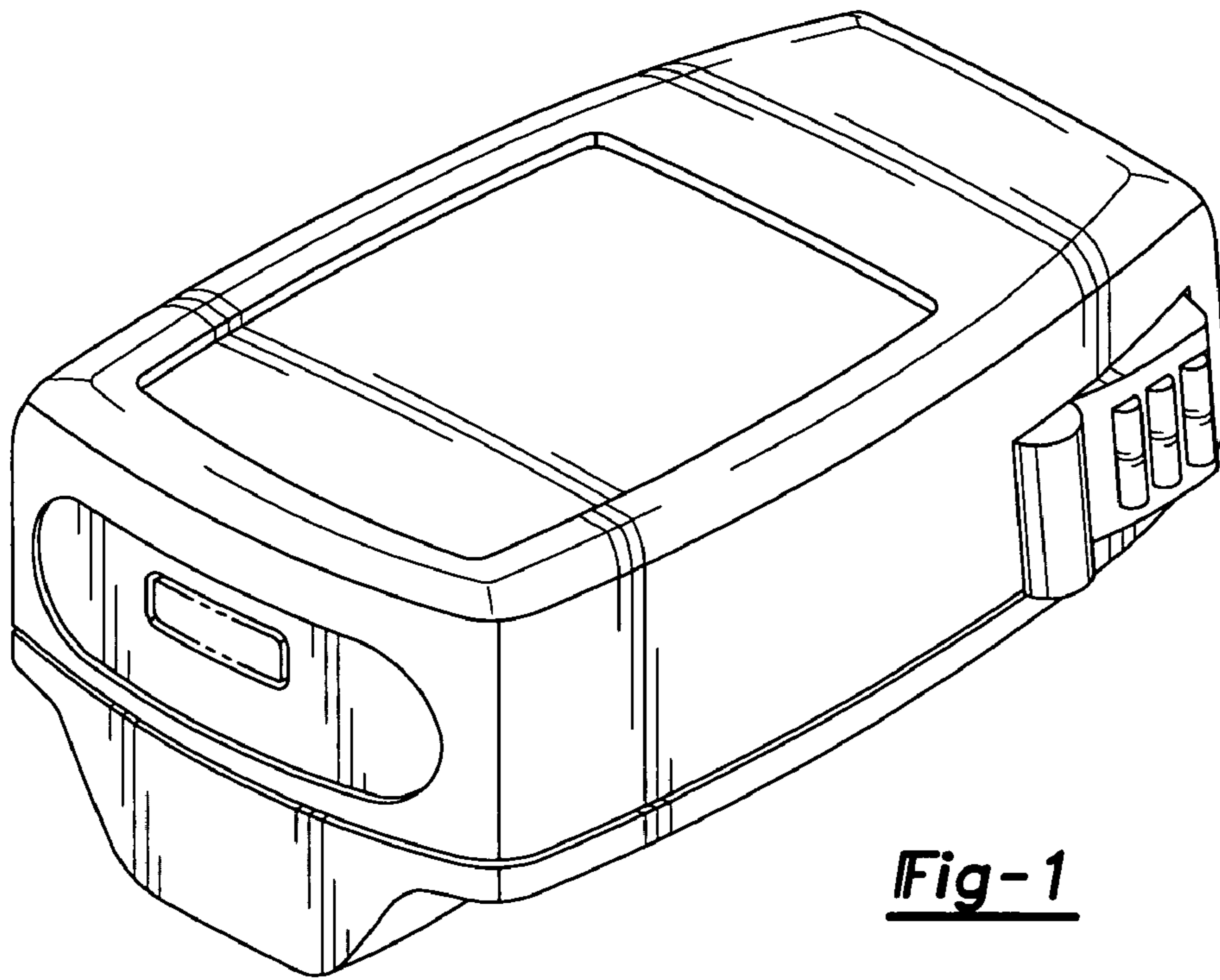


Fig-1

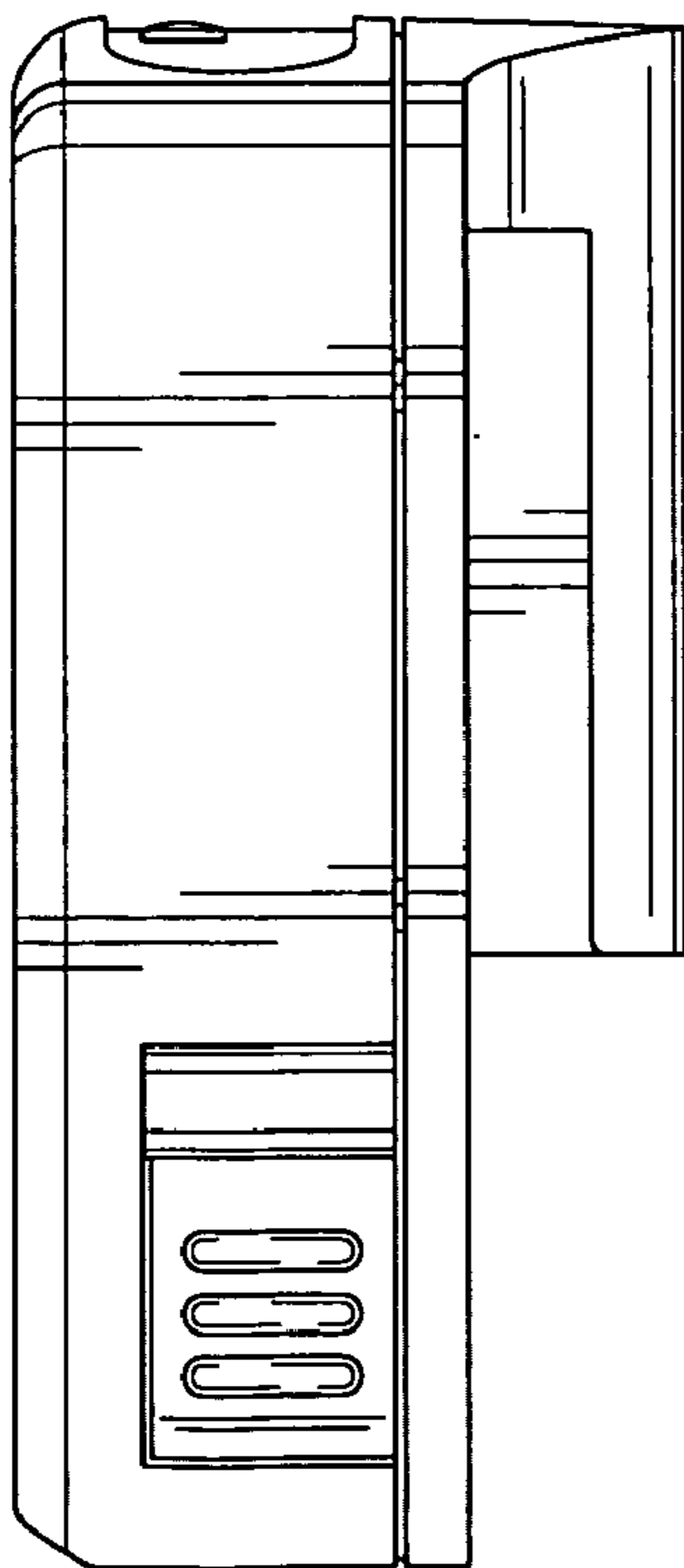


Fig-2

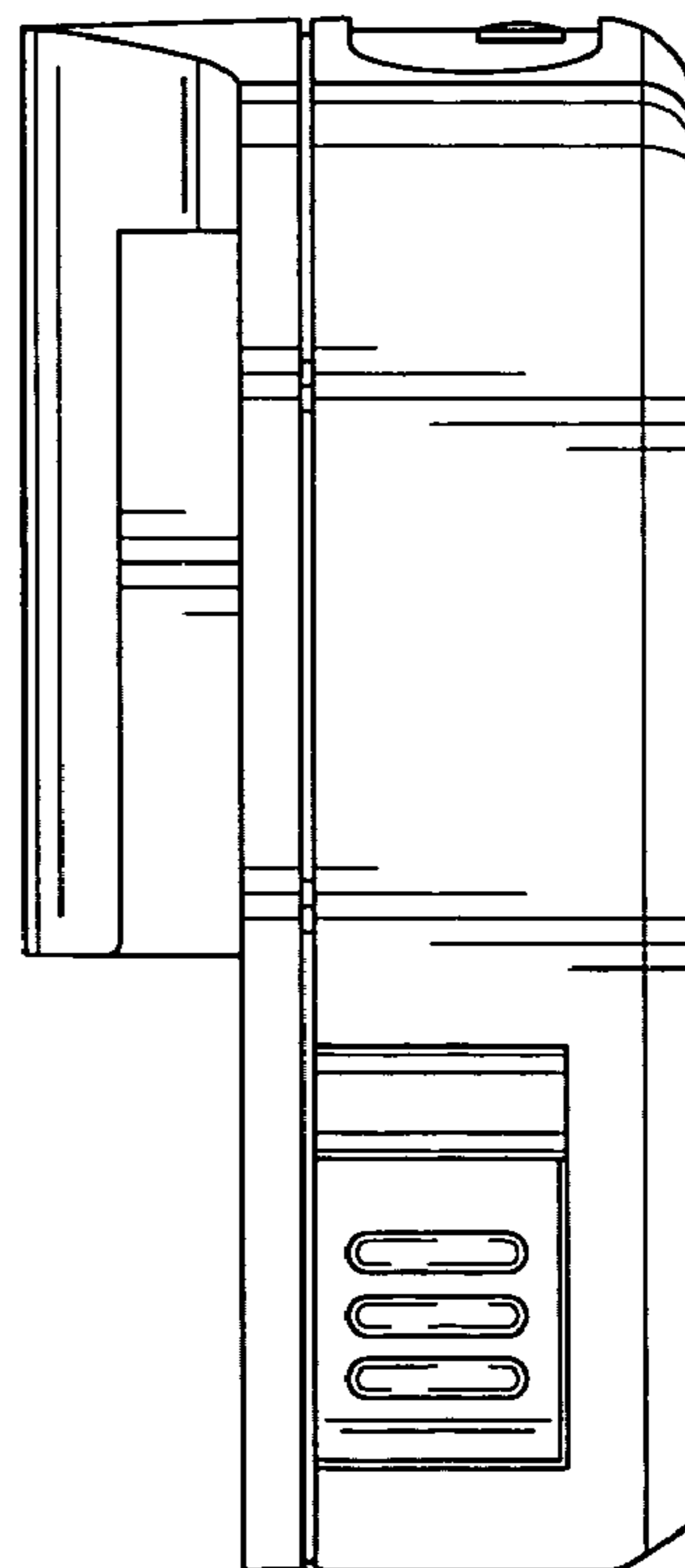


Fig-3

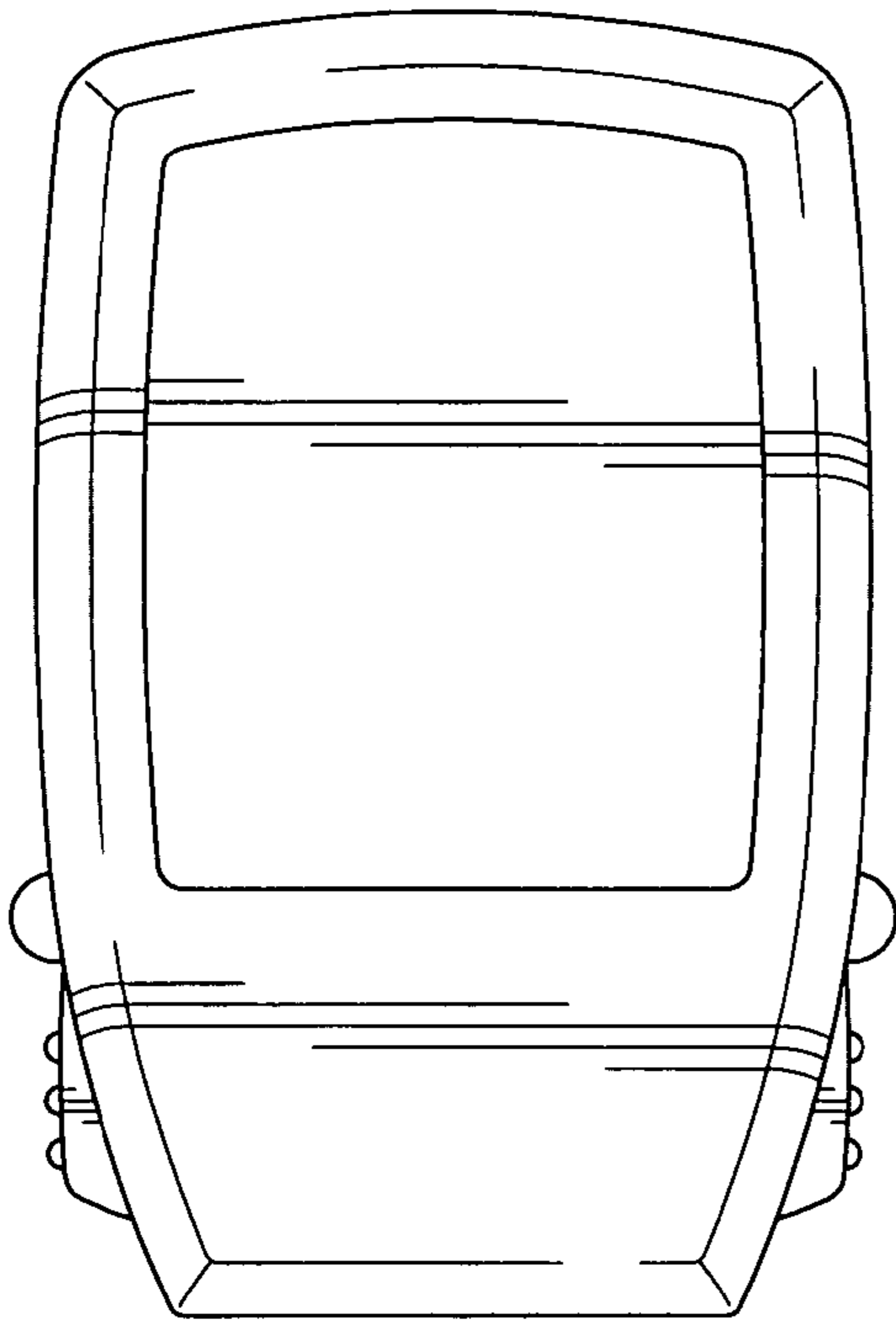


Fig-4

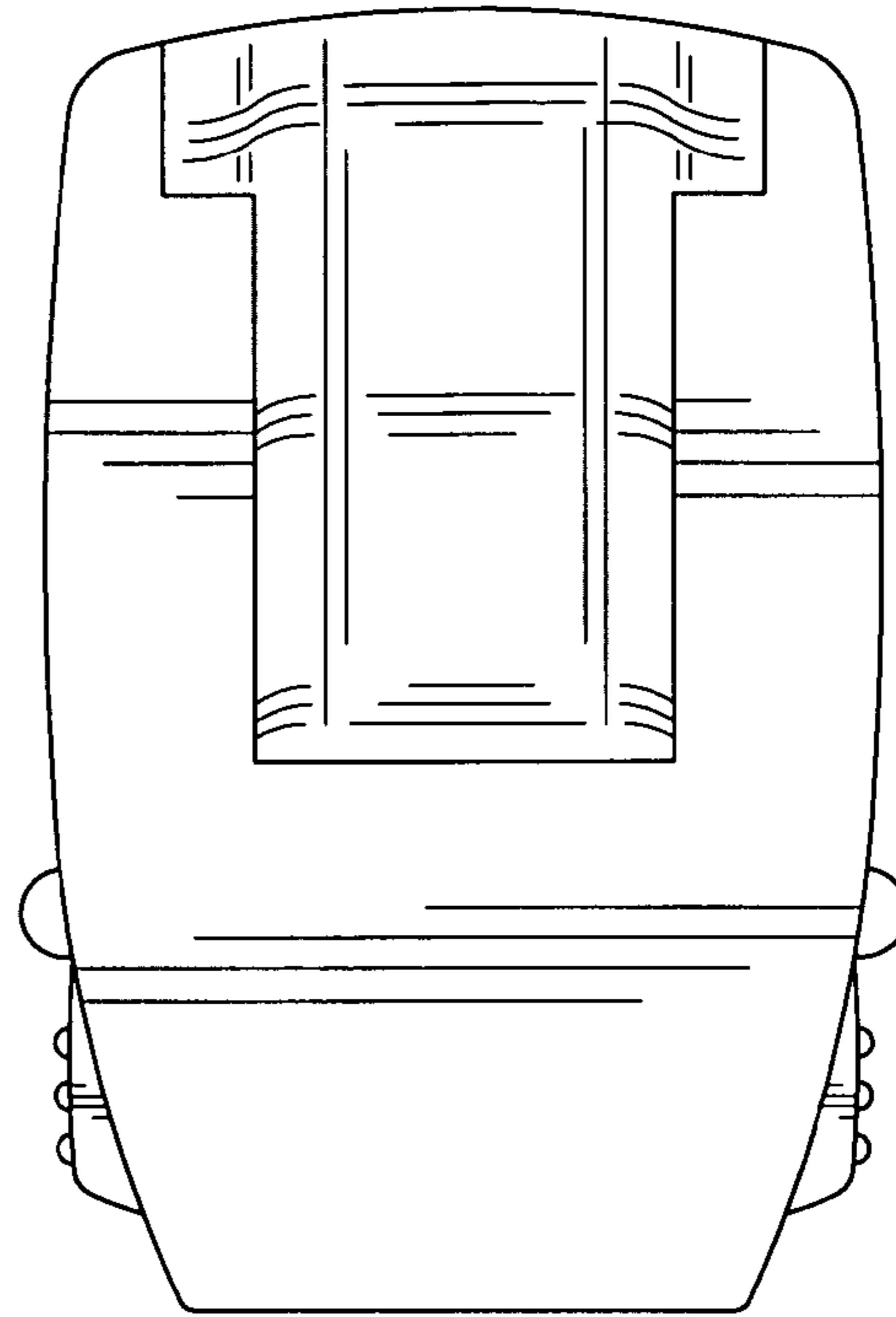


Fig-5

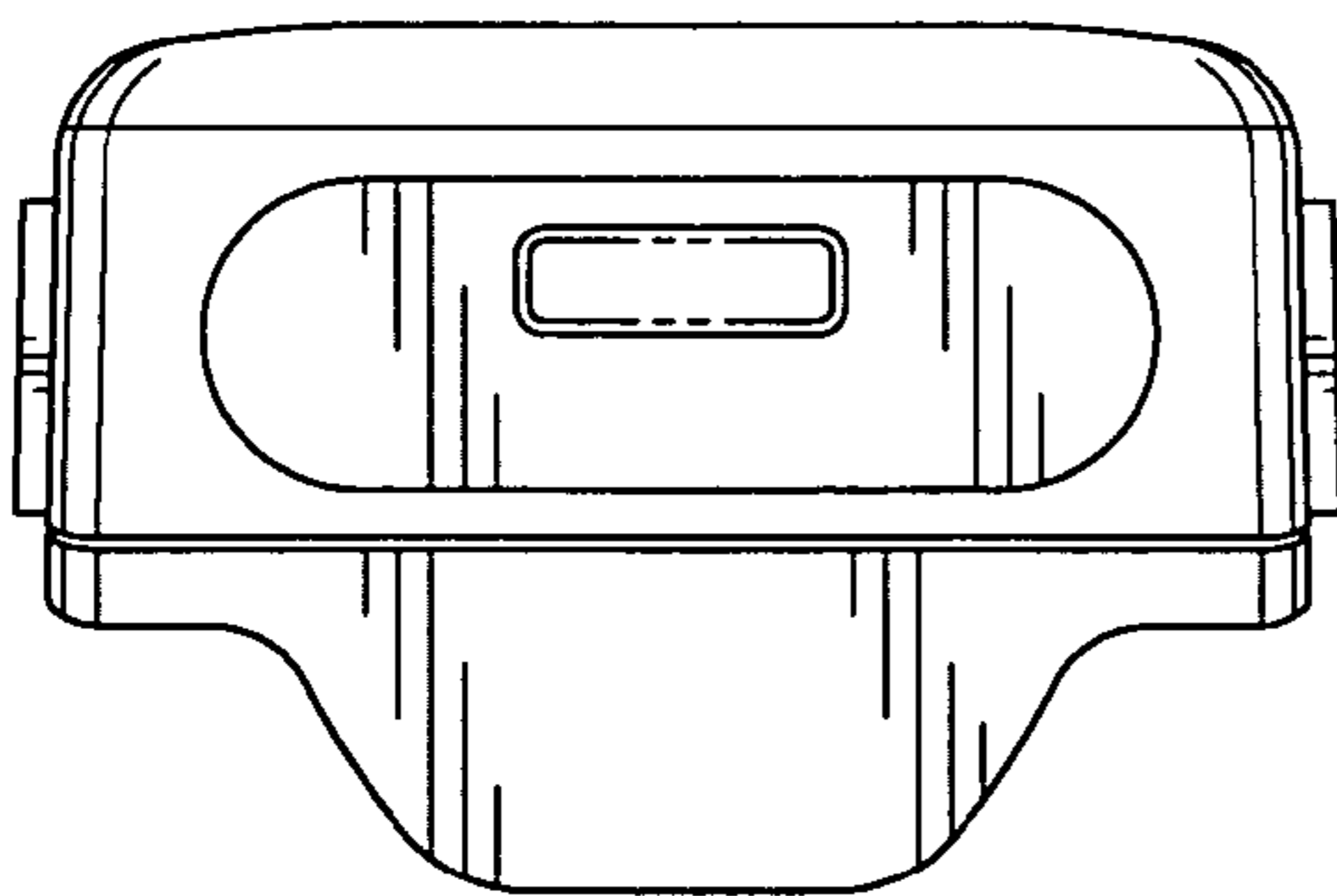


Fig-6

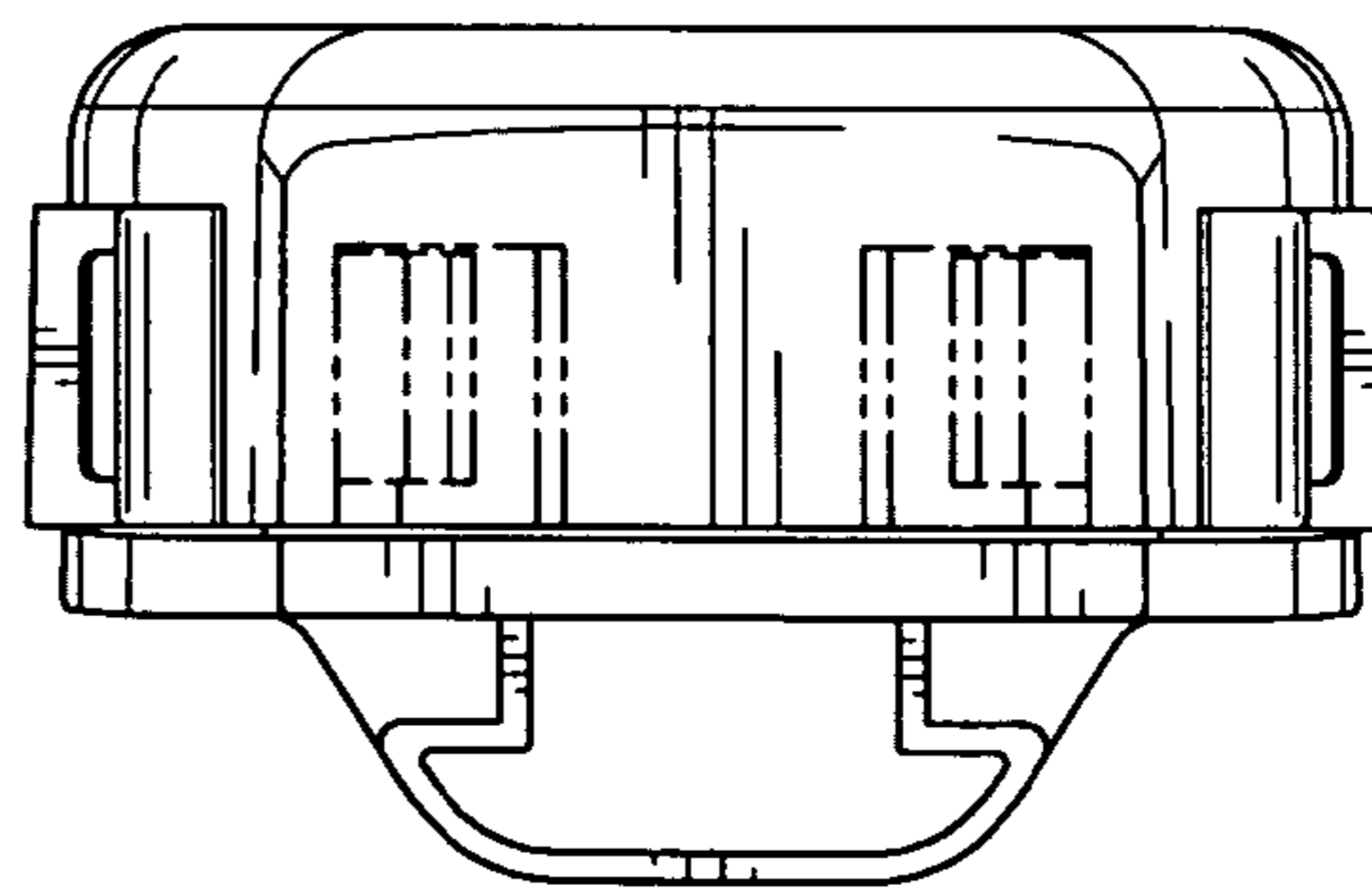


Fig-7