



US00D576539S

(12) **United States Design Patent**
Tymark et al.

(10) **Patent No.:** **US D576,539 S**
(45) **Date of Patent:** **** Sep. 9, 2008**

(54) **SCREW PROPELLER**

(75) Inventors: **Tatjana Tymark**, Spånga (SE); **Anna Vågman**, Stockholm (SE); **Per Strinning**, Spånga (SE)

(73) Assignee: **ITT Manufacturing Enterprises Inc.**,
Wilmington, DE (US)

(**) Term: **14 Years**

(21) Appl. No.: **29/297,770**

(22) Filed: **Nov. 16, 2007**

(51) **LOC (8) Cl.** **12-16**

(52) **U.S. Cl.** **D12/214**

(58) **Field of Classification Search** D12/214,
D12/317, 379; 416/228, 223 R, 204 R, 235;
415/203; 440/73, 89; 114/274

See application file for complete search history.

(56) **References Cited**

U.S. PATENT DOCUMENTS

1,418,991 A * 6/1922 Thompson et al. 416/228
2,905,131 A * 9/1959 Costa 440/82
D459,285 S * 6/2002 Rietsch D12/214

* cited by examiner

Primary Examiner—Lisa P Lichtenstein
(74) *Attorney, Agent, or Firm*—Foley & Lardner LLP

(57) **CLAIM**

We claim the ornamental design for a screw propeller, as shown and described.

DESCRIPTION

FIG. 1 is a top, front perspective view of a screw propeller showing our invention;

FIG. 2 is a bottom, front perspective view of the screw propeller of FIG. 1;

FIG. 3 is a front view of the screw propeller of FIG. 1;

FIG. 4 is a rear view of the screw propeller of FIG. 1;

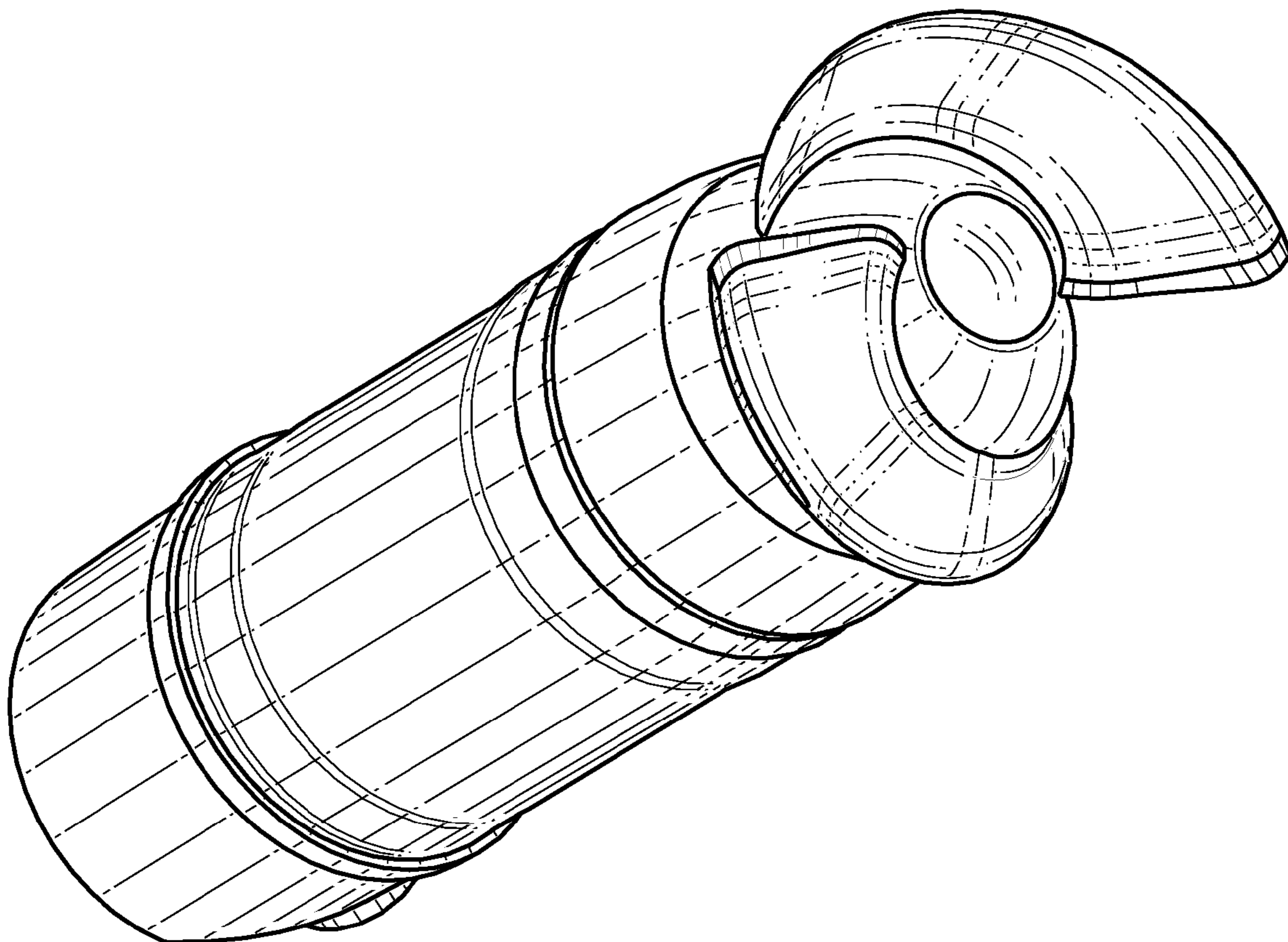
FIG. 5 is an enlarged right side view of the screw propeller of FIG. 1;

FIG. 6 is a left side view of the screw propeller of FIG. 1;

FIG. 7 is a greatly enlarged top view of the screw propeller of FIG. 1; and,

FIG. 8 is a greatly enlarged bottom view of the screw propeller of FIG. 1;

1 Claim, 8 Drawing Sheets



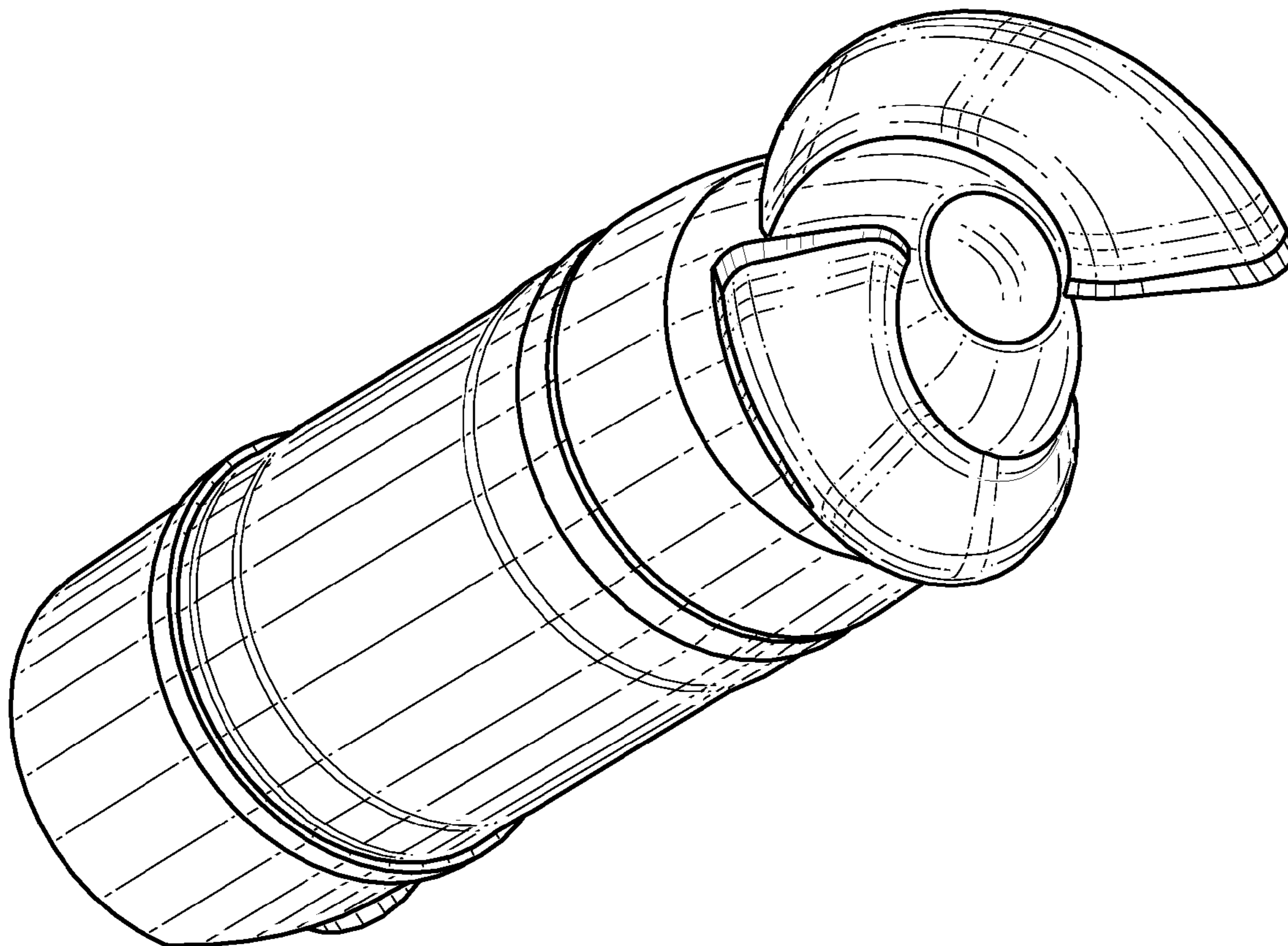


FIGURE 1

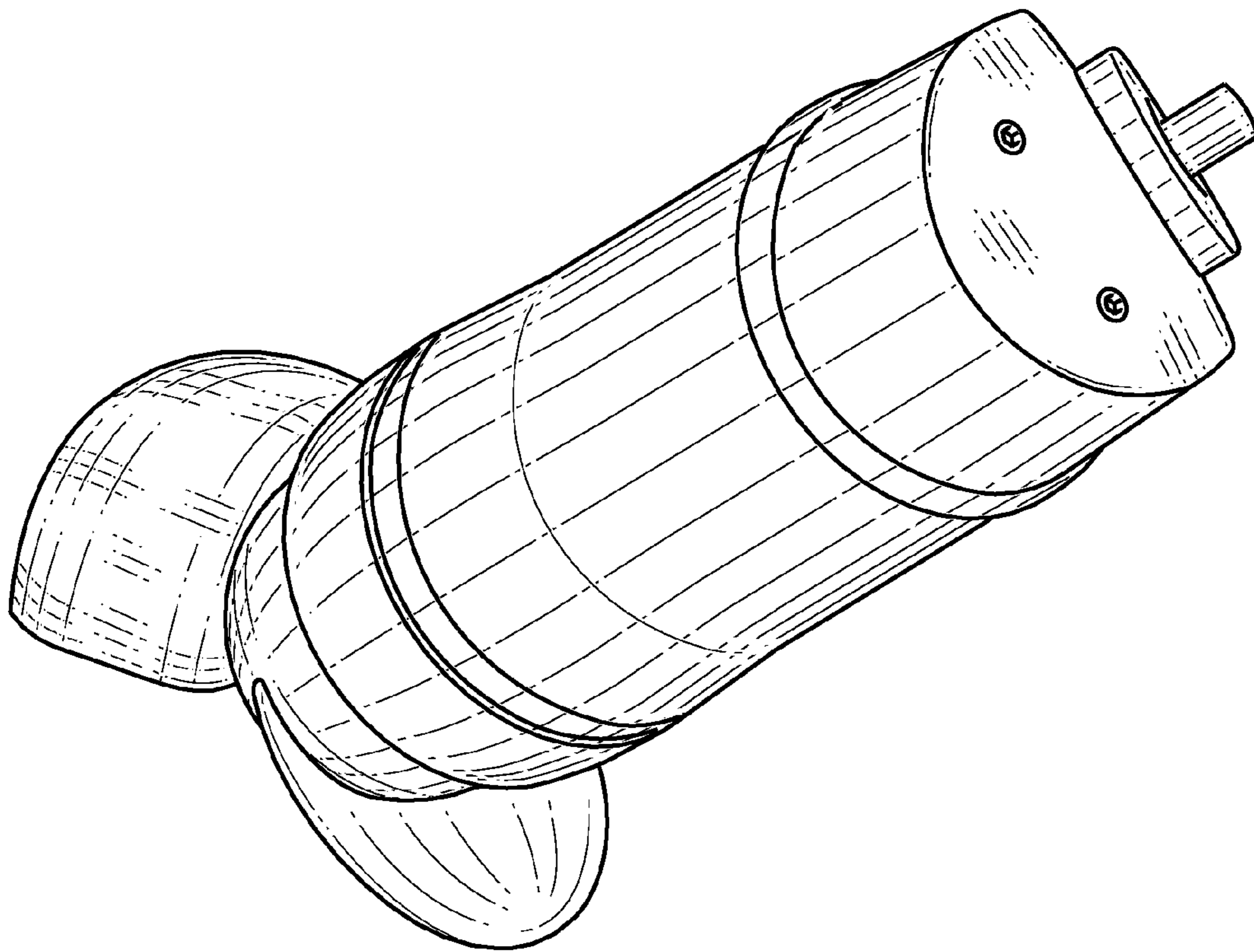


FIGURE 2

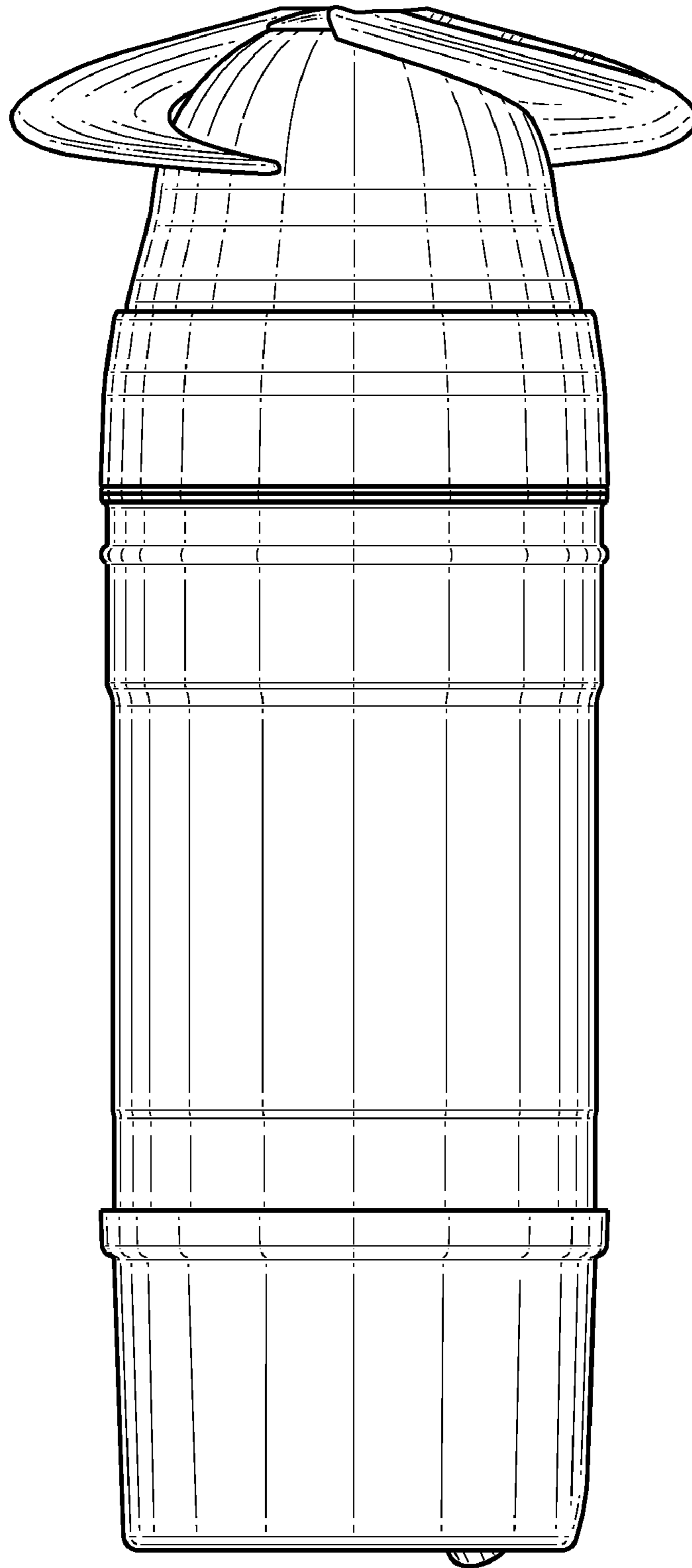


FIGURE 3

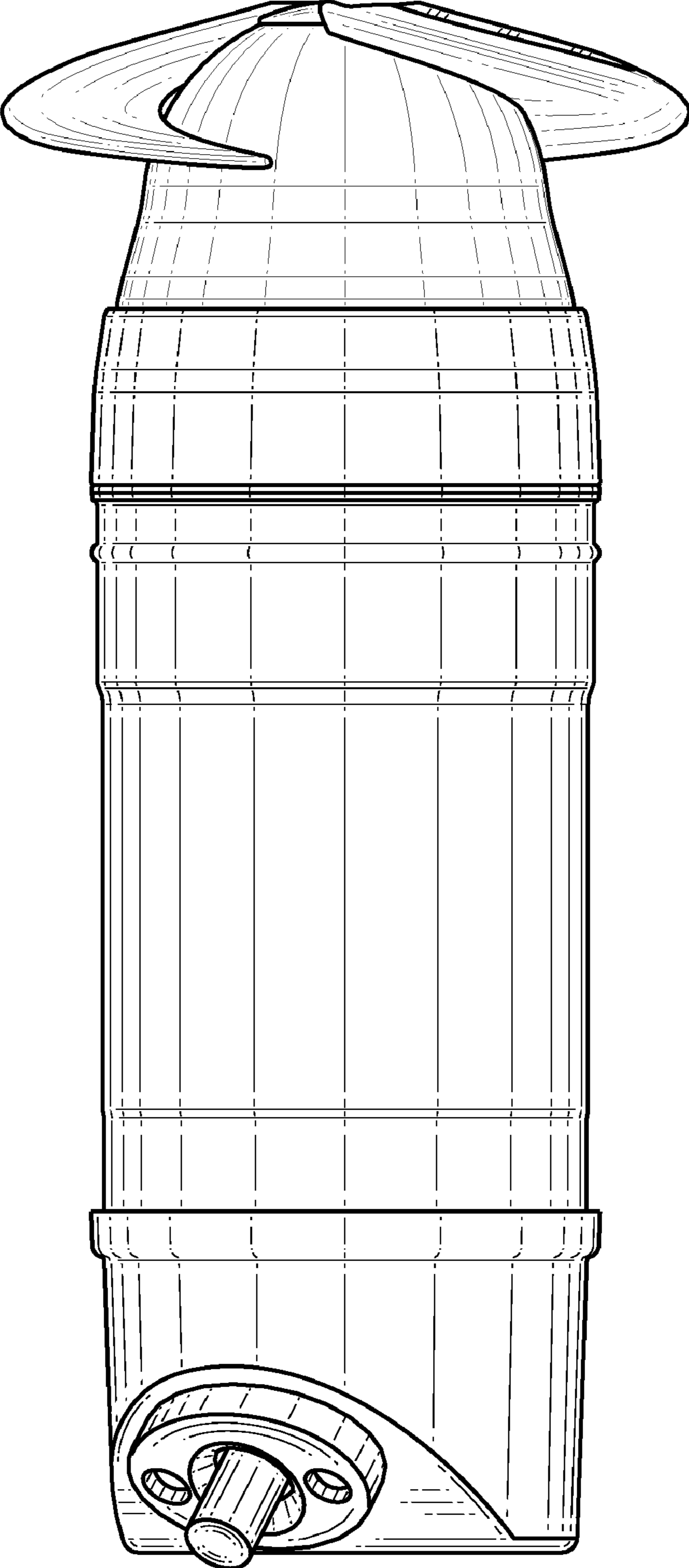


FIGURE 4

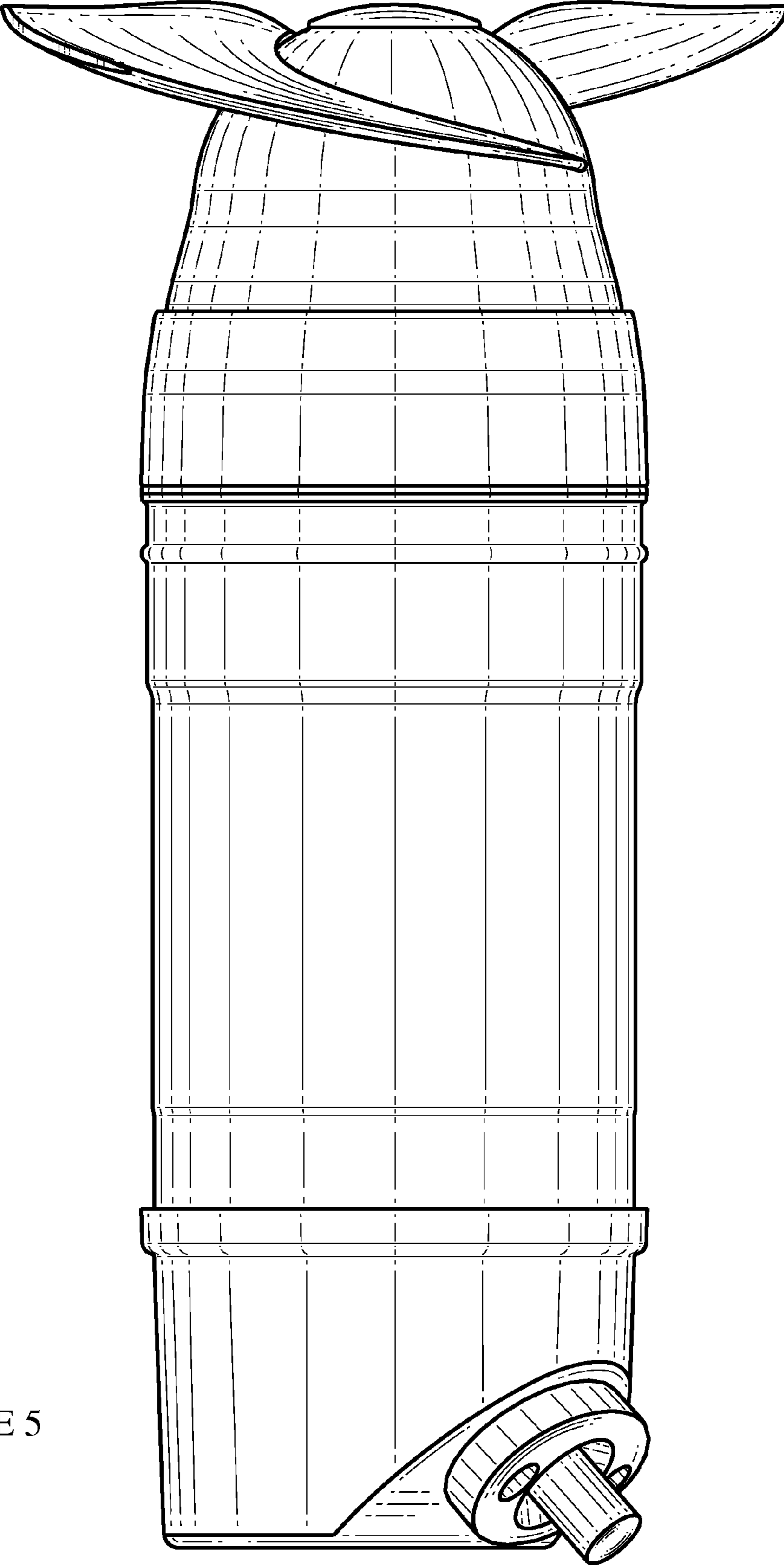


FIGURE 5

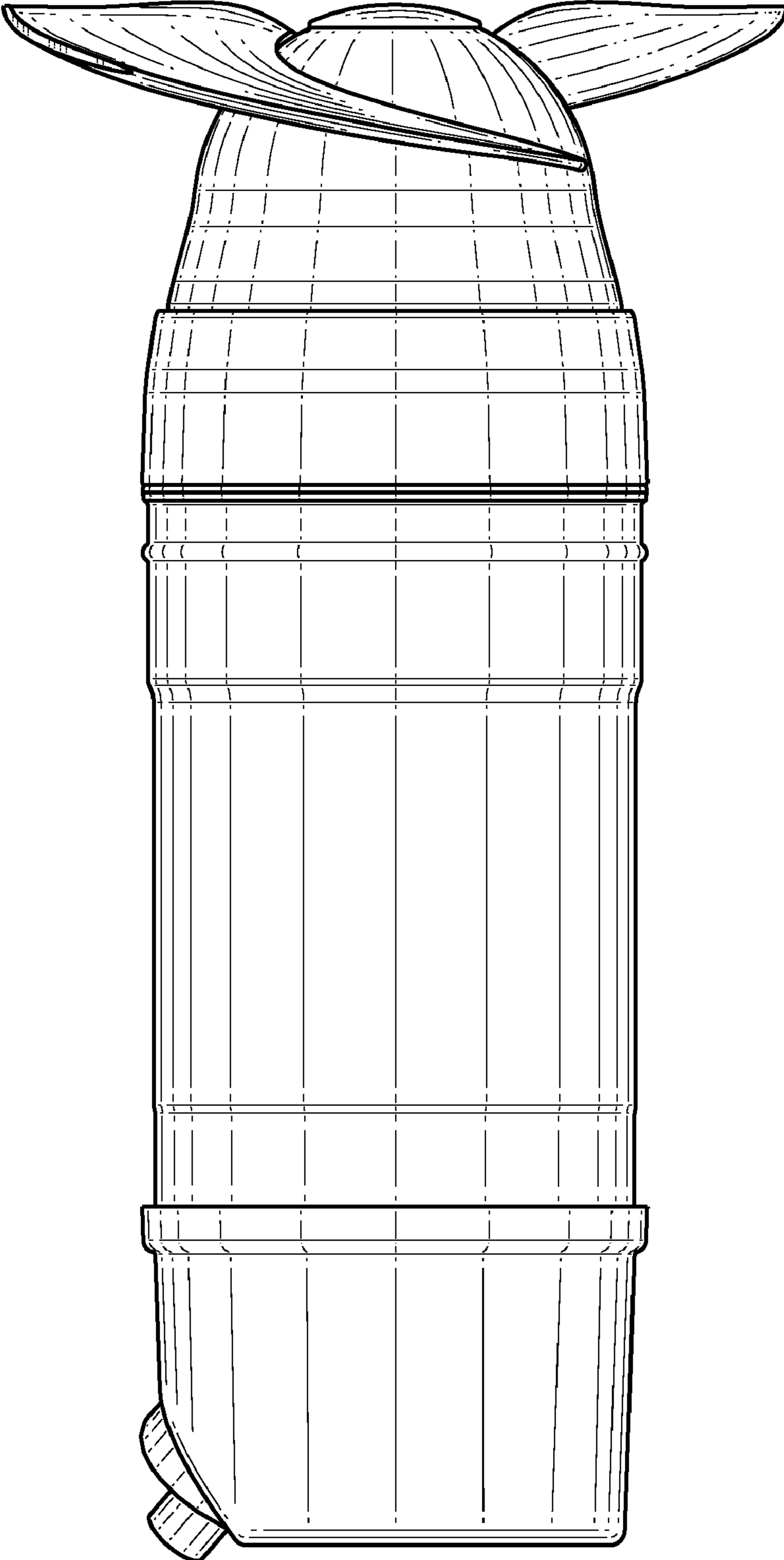


FIGURE 6

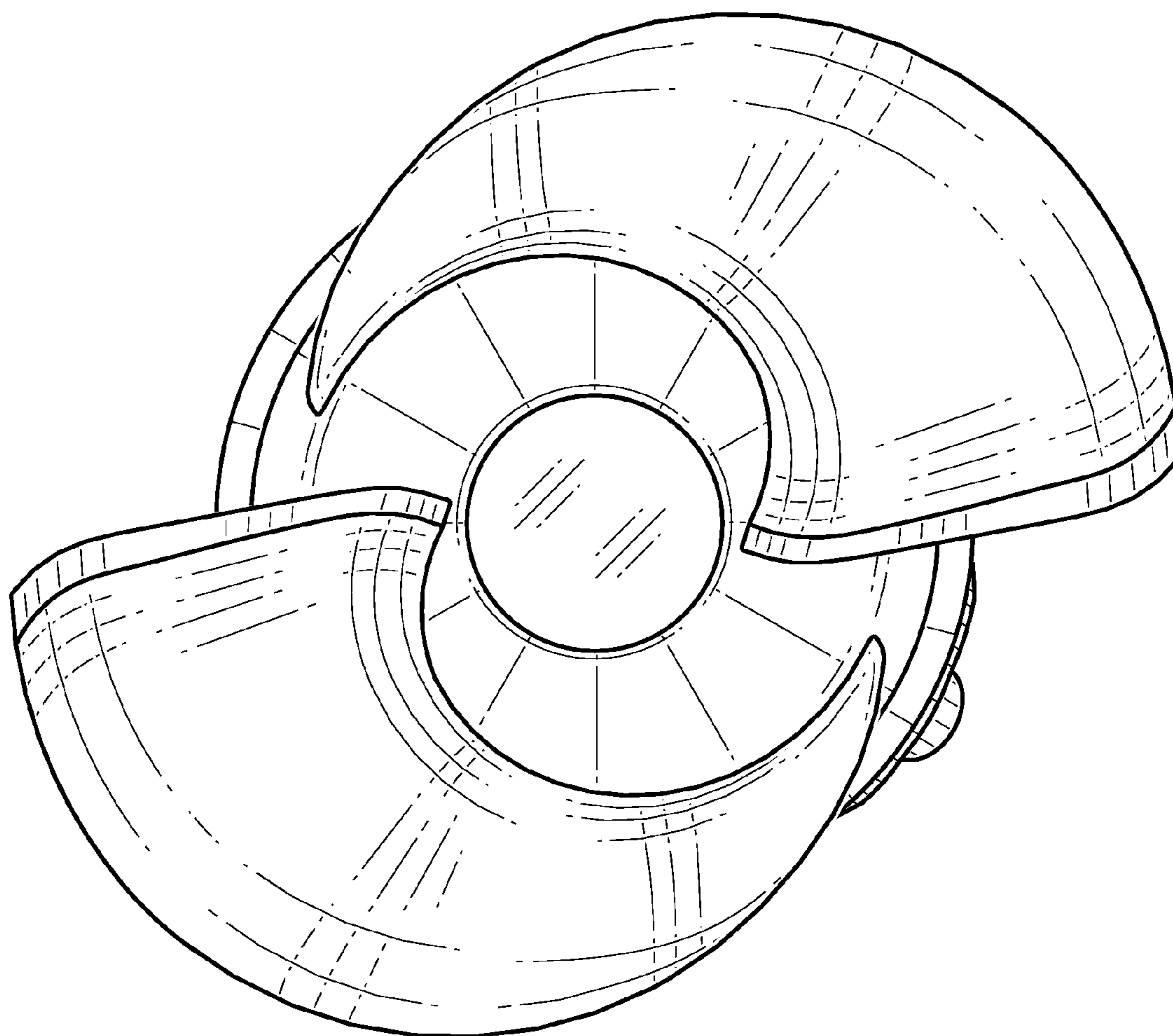


FIGURE 7

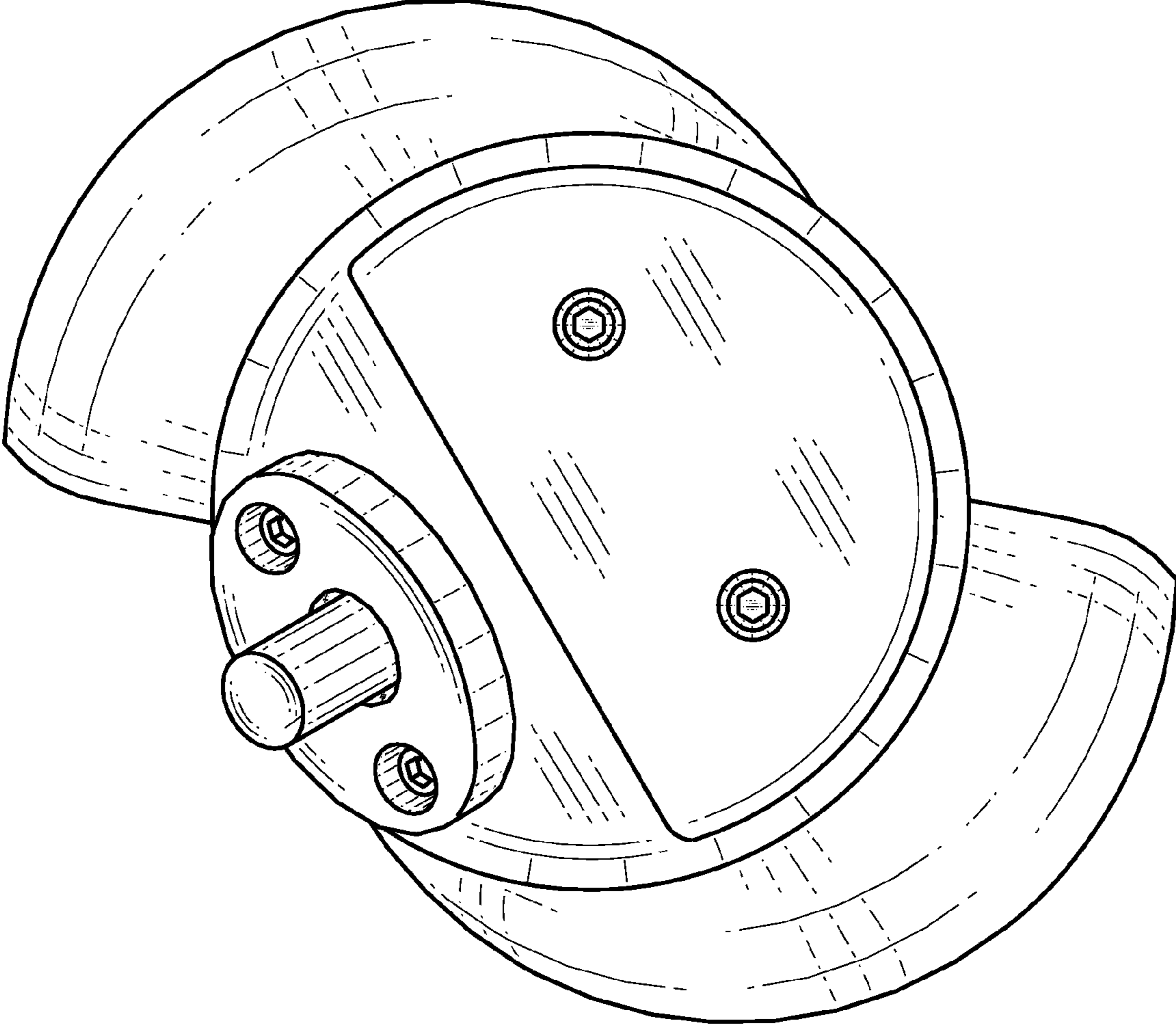


FIGURE 8