



US00D576534S

(12) **United States Design Patent**
Pfeiffer

(10) **Patent No.:** **US D576,534 S**

(45) **Date of Patent:** **** Sep. 9, 2008**

(54) **FRONT FACE OF A VEHICLE WHEEL**

(75) Inventor: **Peter Pfeiffer**, Boeblingen (DE)

(73) Assignee: **Daimler AG**, Stuttgart (DE)

(**) Term: **14 Years**

(21) Appl. No.: **29/290,506**

(22) Filed: **Dec. 11, 2007**

(30) **Foreign Application Priority Data**

Jun. 12, 2007 (EM) 000738075-0004
Jun. 12, 2007 (EM) 000738075-0005

(51) **LOC (8) Cl.** **12-16**

(52) **U.S. Cl.** **D12/209**

(58) **Field of Classification Search** D12/204-213;
301/37.101, 64.101, 65, 64.201

See application file for complete search history.

(56) **References Cited**

U.S. PATENT DOCUMENTS

D448,715 S * 10/2001 Hartl D12/211
D457,847 S * 5/2002 Neeper D12/209
D466,065 S * 11/2002 Lee D12/209
D493,405 S * 7/2004 Boyer D12/211
D497,132 S * 10/2004 Lee D12/209
D503,915 S * 4/2005 Markefka D12/209
D504,650 S * 5/2005 Ishiwata D12/209
D510,719 S * 10/2005 Noble D12/211
D516,490 S * 3/2006 Baer D12/211
D520,929 S * 5/2006 Matei et al. D12/209
D521,435 S * 5/2006 Fitzgerald D12/209

D525,577 S * 7/2006 Laengerer D12/211
D527,329 S * 8/2006 Pfeiffer D12/211
D529,429 S * 10/2006 Hsu D12/209
D538,215 S * 3/2007 Laengerer et al. D12/209
D549,633 S * 8/2007 Sycha D12/209
D554,034 S * 10/2007 Madden D12/209

* cited by examiner

Primary Examiner—Stacia Cadmus

(74) *Attorney, Agent, or Firm*—Crowell & Moring LLP

(57) **CLAIM**

The ornamental design for a front face of a vehicle wheel, as shown and described.

DESCRIPTION

FIG. 1 is a front view of a first embodiment of a front face of a vehicle wheel according to my novel design; and

FIG. 2 is a perspective view thereof.

FIG. 3 is a front view of a second embodiment of the front face of a vehicle wheel according to my novel design; and

FIG. 4 is a perspective view thereof.

FIG. 5 is a front view of a third embodiment of the front face of a vehicle wheel according to my novel design; and

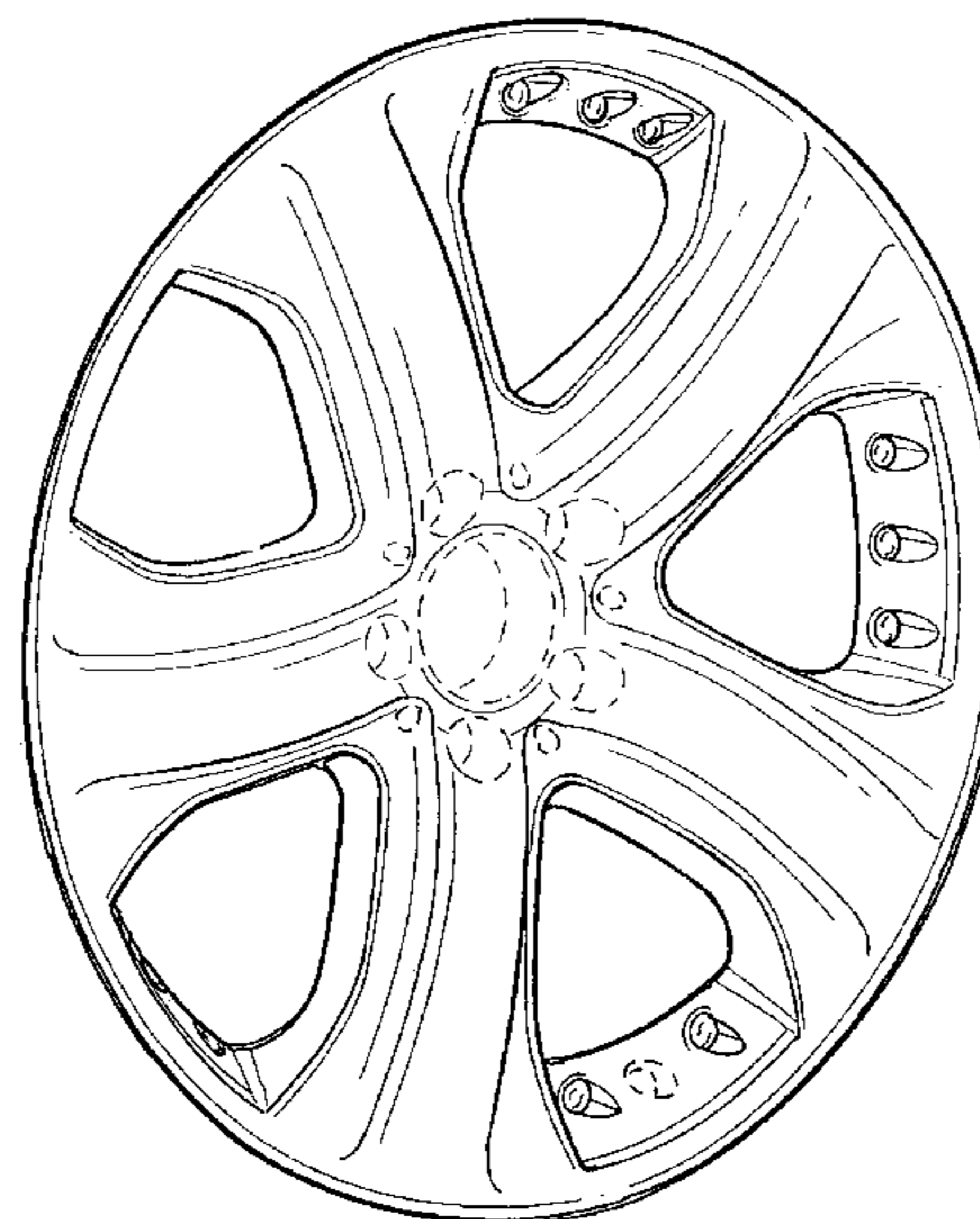
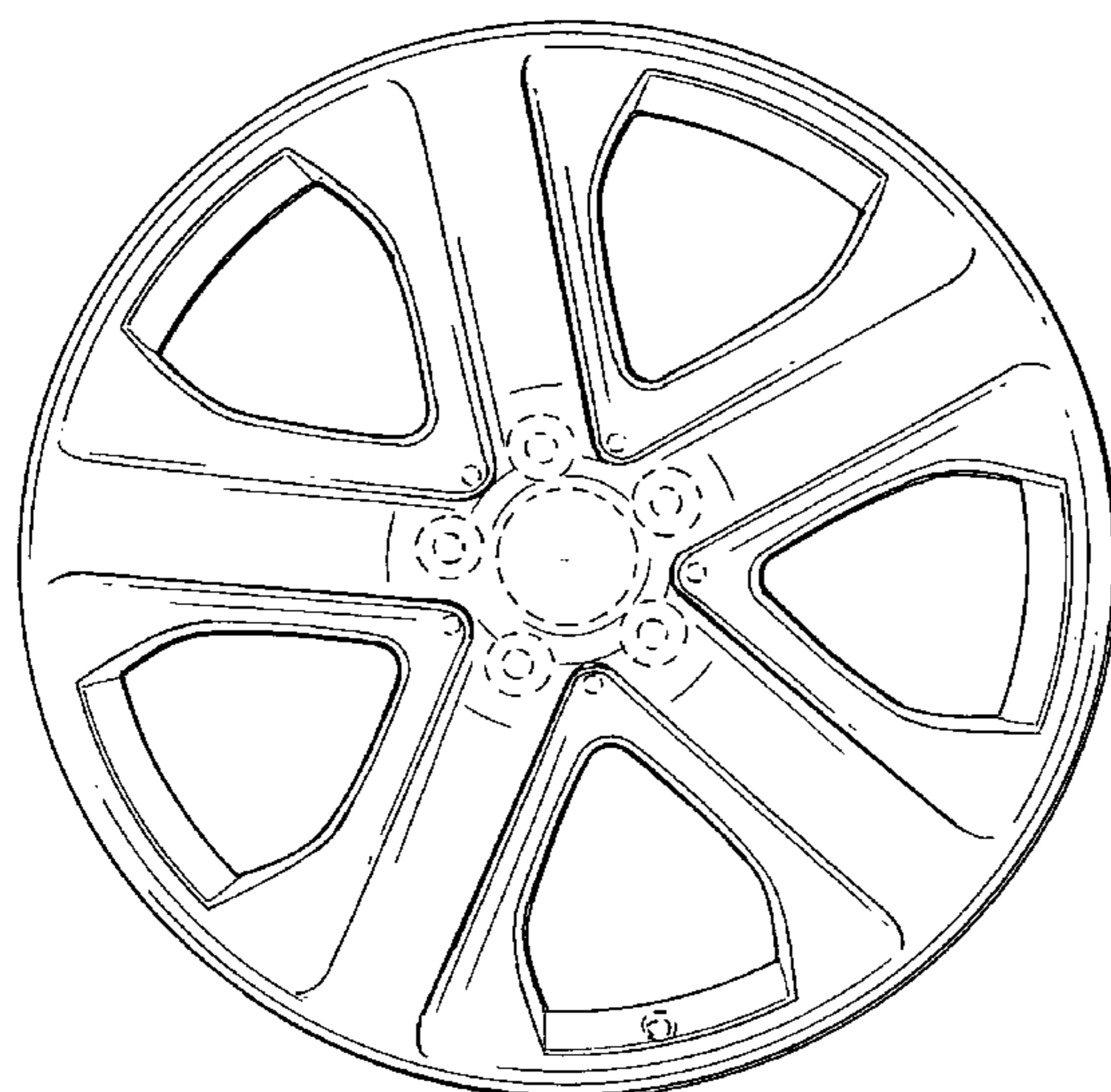
FIG. 6 is a perspective view thereof.

FIG. 7 is a front view of a fourth embodiment of the front face of a vehicle wheel according to my novel design; and,

FIG. 8 is a perspective view thereof.

The broken lines are for illustrative purposes only and form no part of the claimed design.

1 Claim, 4 Drawing Sheets



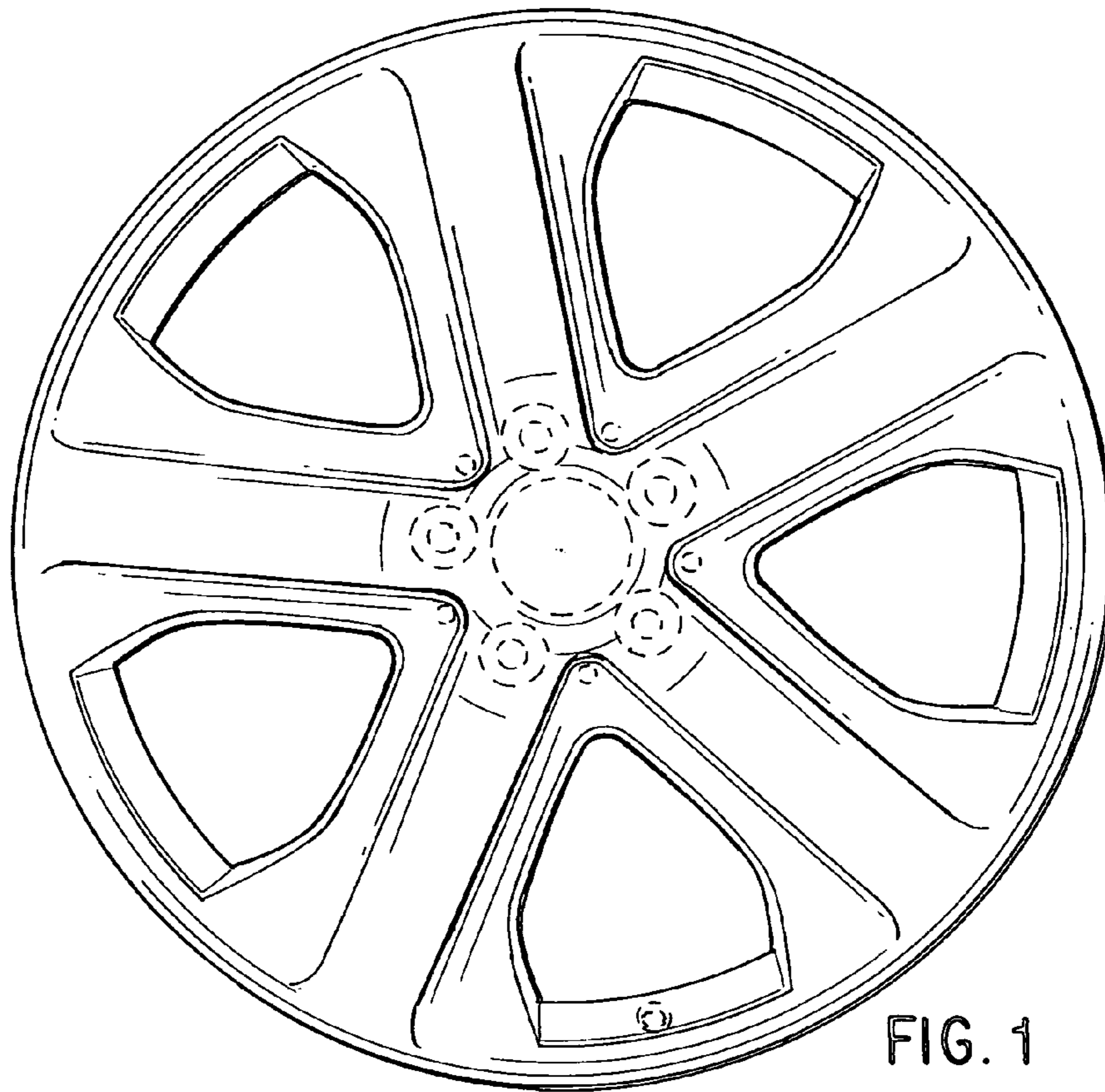


FIG. 1

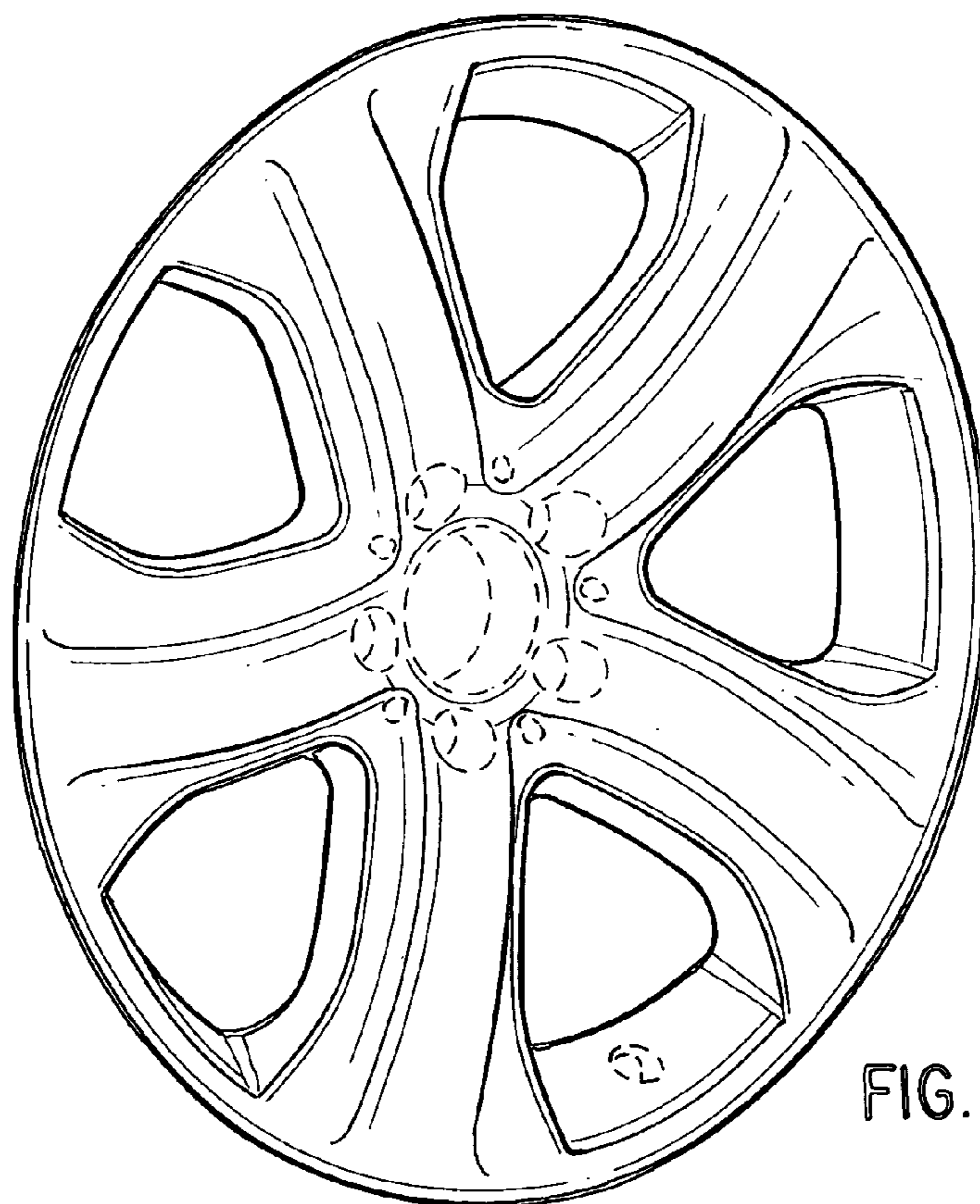


FIG. 2

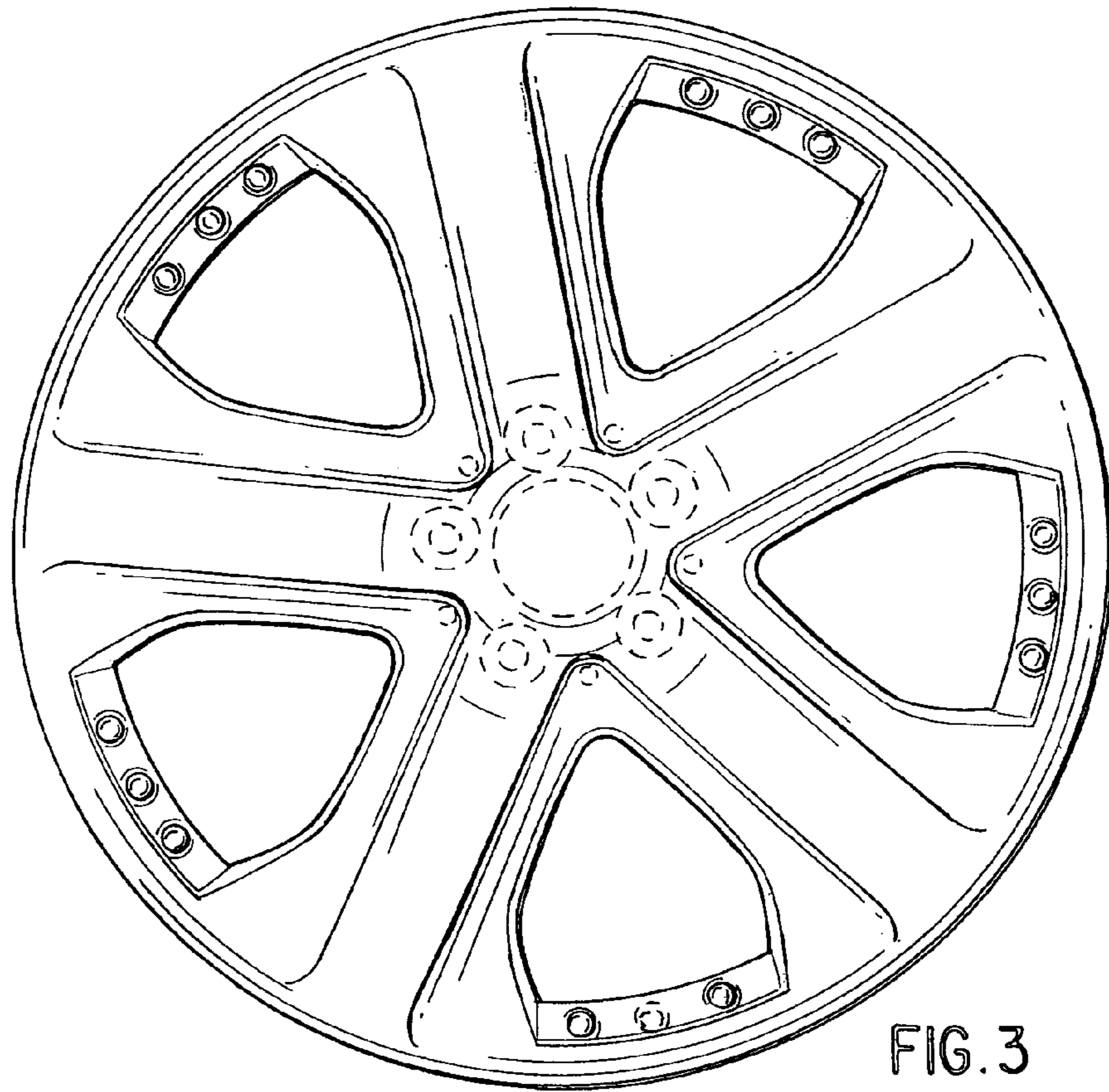


FIG. 3

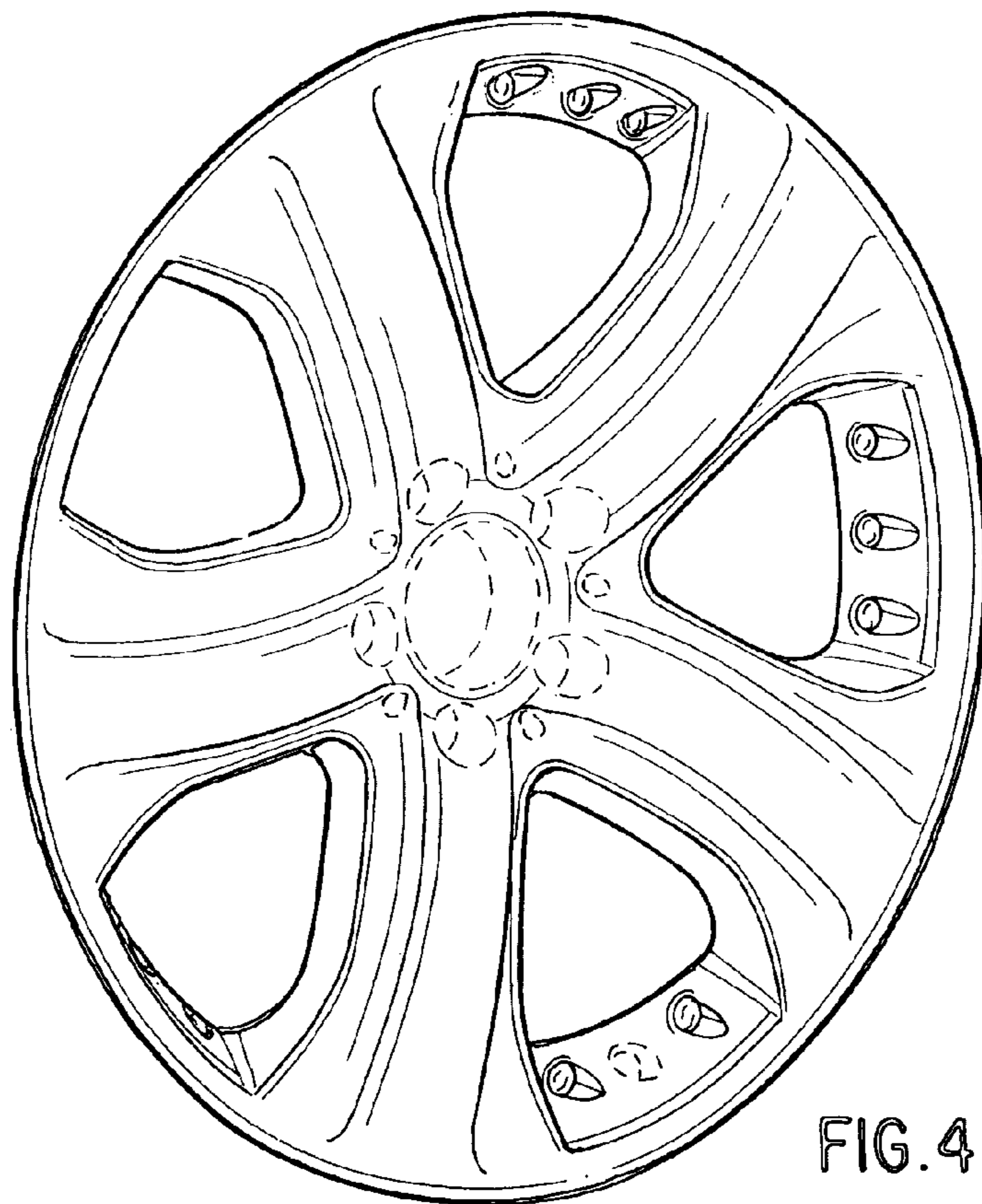


FIG. 4

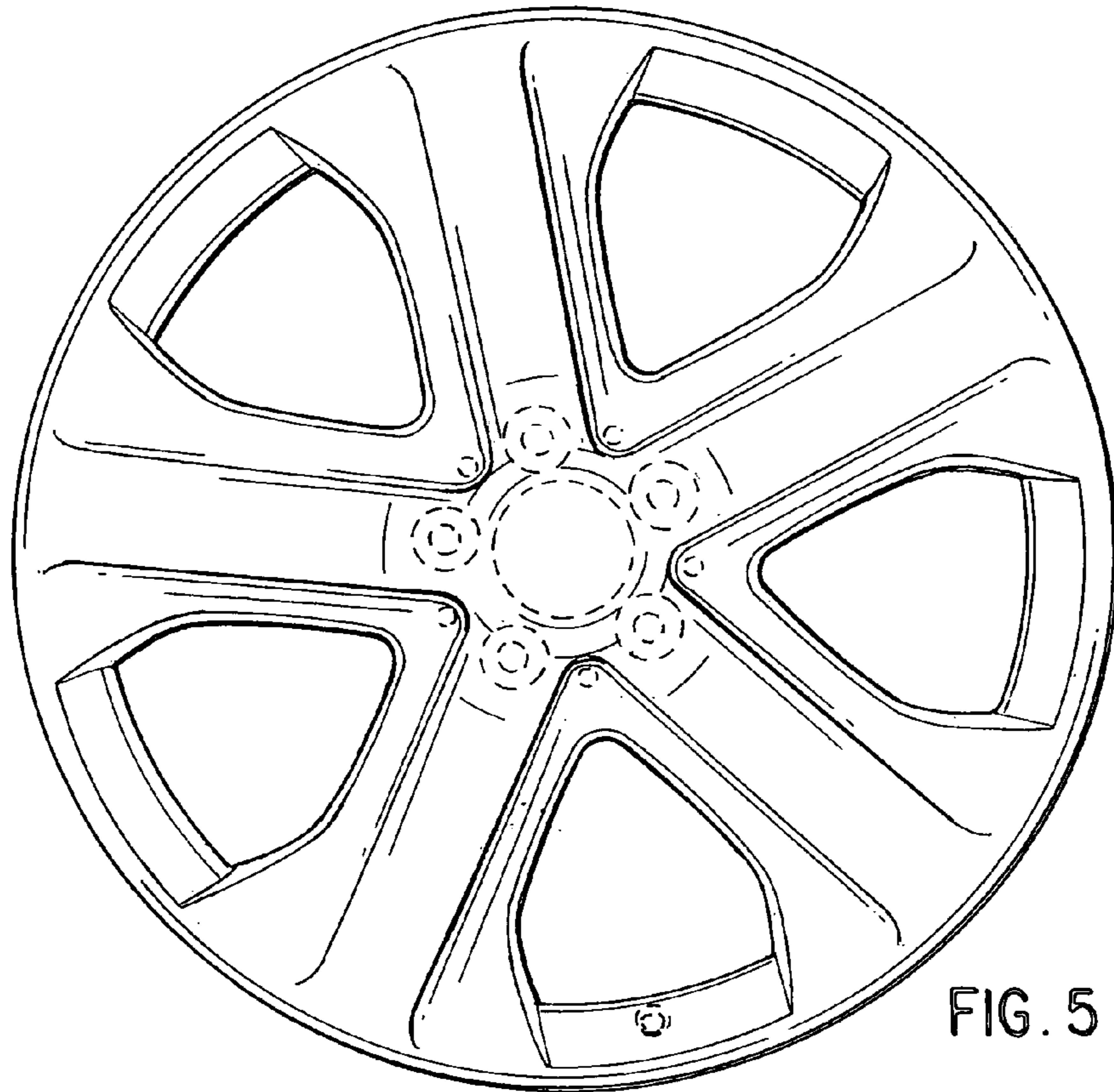


FIG. 5

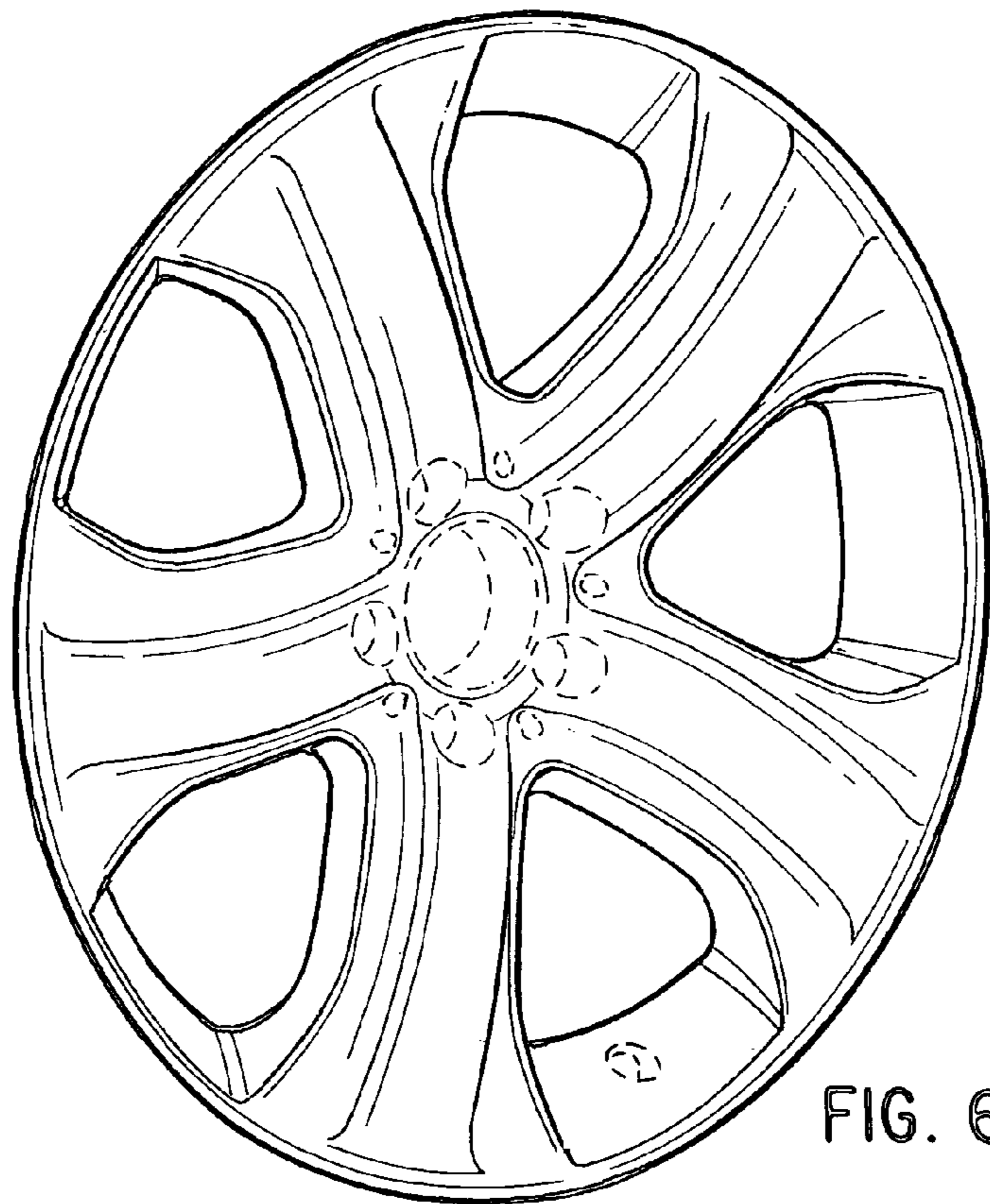


FIG. 6

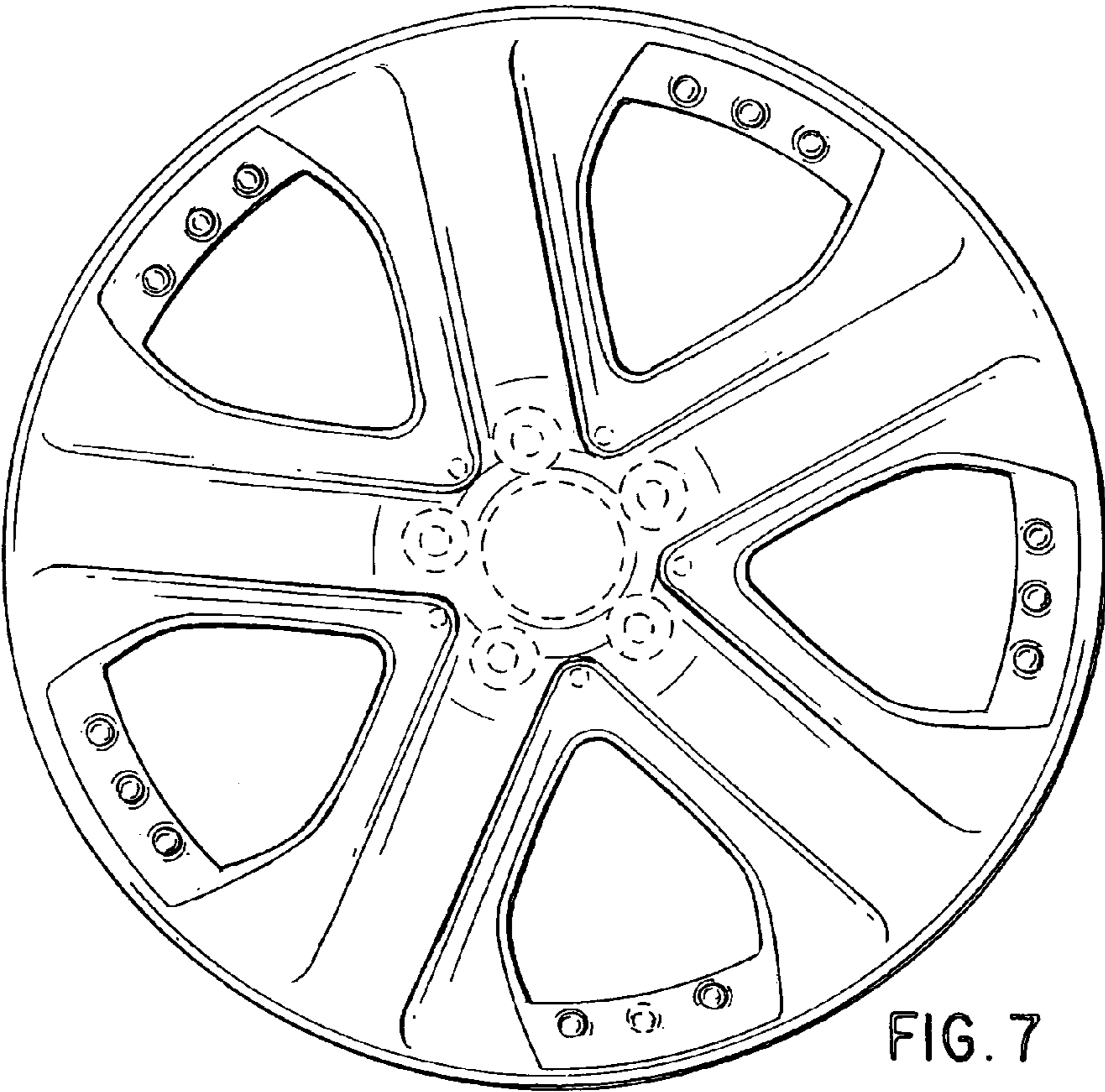


FIG. 7

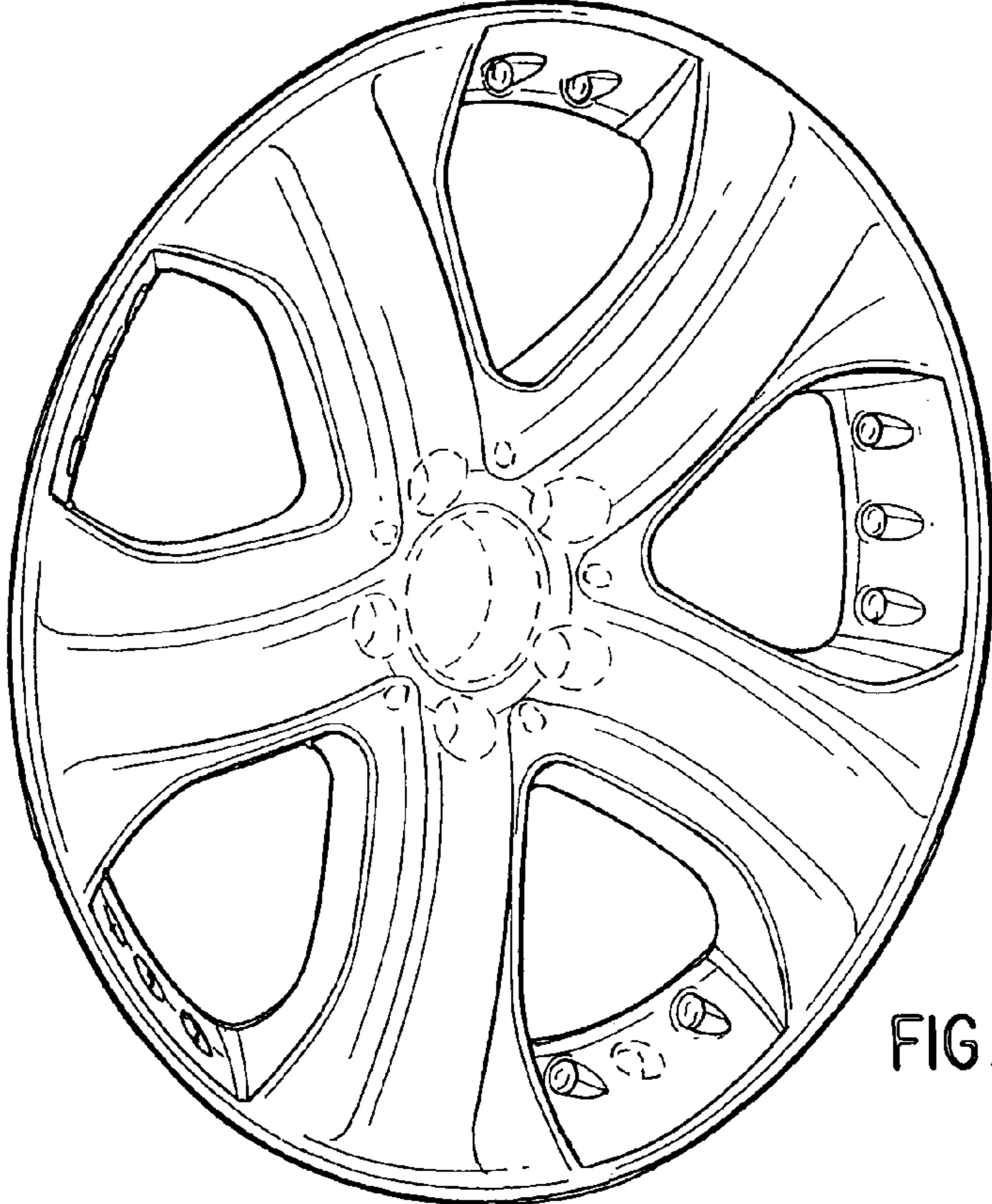


FIG. 8