



US00D576532S

(12) **United States Design Patent**
Hildebrand et al.

(10) **Patent No.:** **US D576,532 S**
(45) **Date of Patent:** **** Sep. 9, 2008**

(54) **DOOR FOR A VEHICLE**

(75) Inventors: **Gert Hildebrand**, Munich (DE);
Marcus Syring, Munich (DE)

(73) Assignee: **Bayerische Motoren Werke**
Aktiengesellschaft, Munich (DE)

(**) Term: **14 Years**

(21) Appl. No.: **29/287,944**

(22) Filed: **Oct. 3, 2007**

(30) **Foreign Application Priority Data**

Apr. 4, 2007 (DE) 40701920

(51) **LOC (8) Cl.** **12-16**

(52) **U.S. Cl.** **D12/196**

(58) **Field of Classification Search** D12/196,
D12/90-92, 86; 296/181.1, 181.5
See application file for complete search history.

(56) **References Cited**

U.S. PATENT DOCUMENTS

D409,262 S	5/1999	Stephenson	
D468,675 S *	1/2003	Murkett	D12/196
D491,859 S *	6/2004	Velazco	D12/196
D501,168 S *	1/2005	Otto et al.	D12/196
D511,128 S *	11/2005	Nagashima	D12/196
D540,714 S	4/2007	Mueller-Stolz	
D558,113 S *	12/2007	Leclercq	D12/196

FOREIGN PATENT DOCUMENTS

EM 000482419-0005 10/2006

* cited by examiner

Primary Examiner—Melody N Brown
(74) *Attorney, Agent, or Firm*—Crowell & Moring LLP

(57) **CLAIM**

The ornamental design for a door for a vehicle, as shown and described.

DESCRIPTION

This application is related to the following co-pending application, of the inventors, filed on even date herewith: application Ser. No. 29/287,949, entitled "Vehicle, Toy, and/or Other Replicas".

FIG. 1 is a right perspective view of a door for a vehicle according to our novel design;

FIG. 2 is a left perspective view thereof;

FIG. 3 is a front view thereof;

FIG. 4 is a top view thereof; and

FIG. 5 is a left side view thereof

FIG. 6 is a left perspective view of a second embodiment of the door for a vehicle according to our novel design;

FIG. 7 is a right perspective view of FIG. 6;

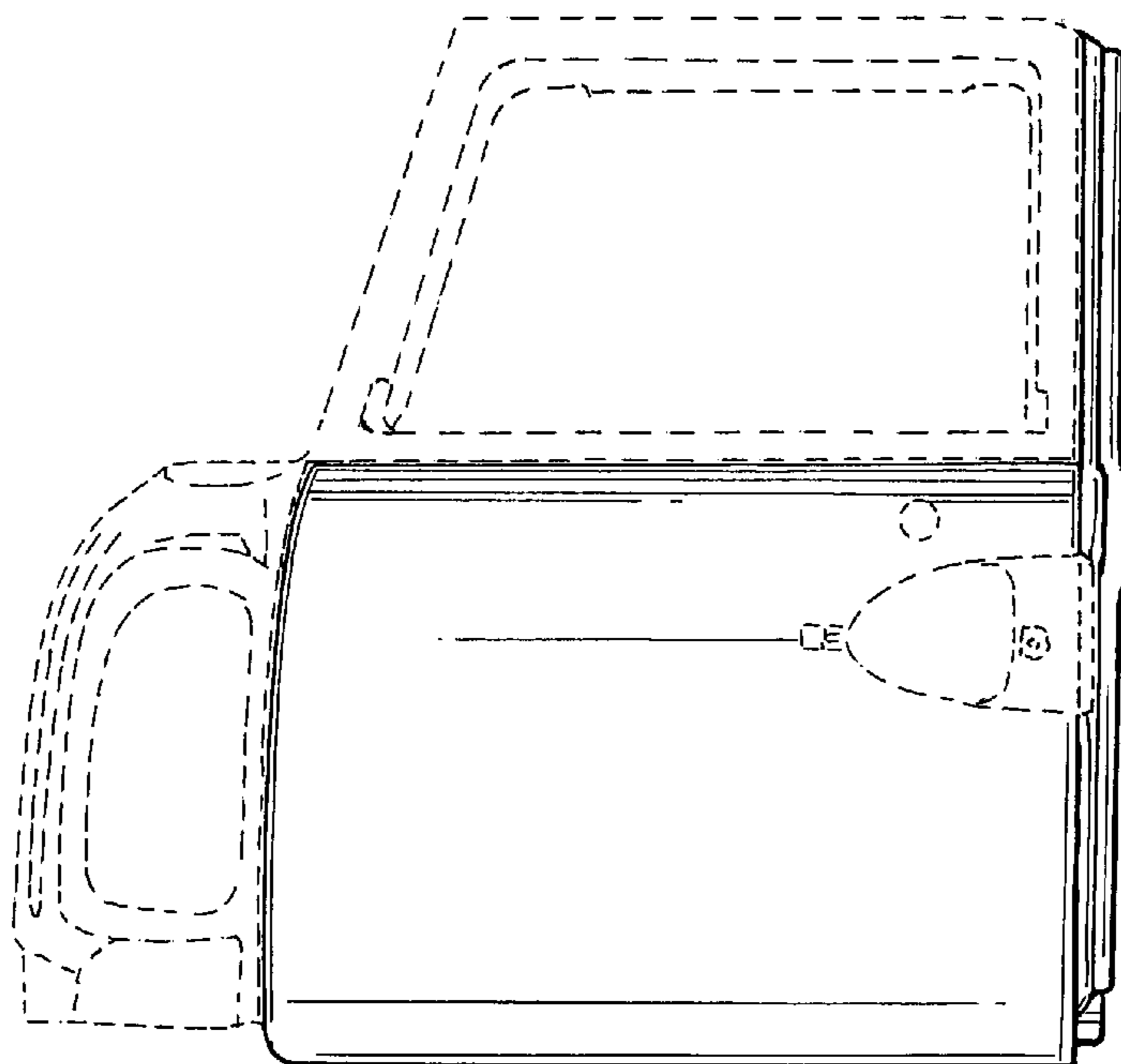
FIG. 8 is a front view of FIG. 6;

FIG. 9 is a top view of FIG. 6; and,

FIG. 10 is a right side view of FIG. 6.

The broken lines are for illustrative purposes only and form no part of the claimed design.

1 Claim, 4 Drawing Sheets



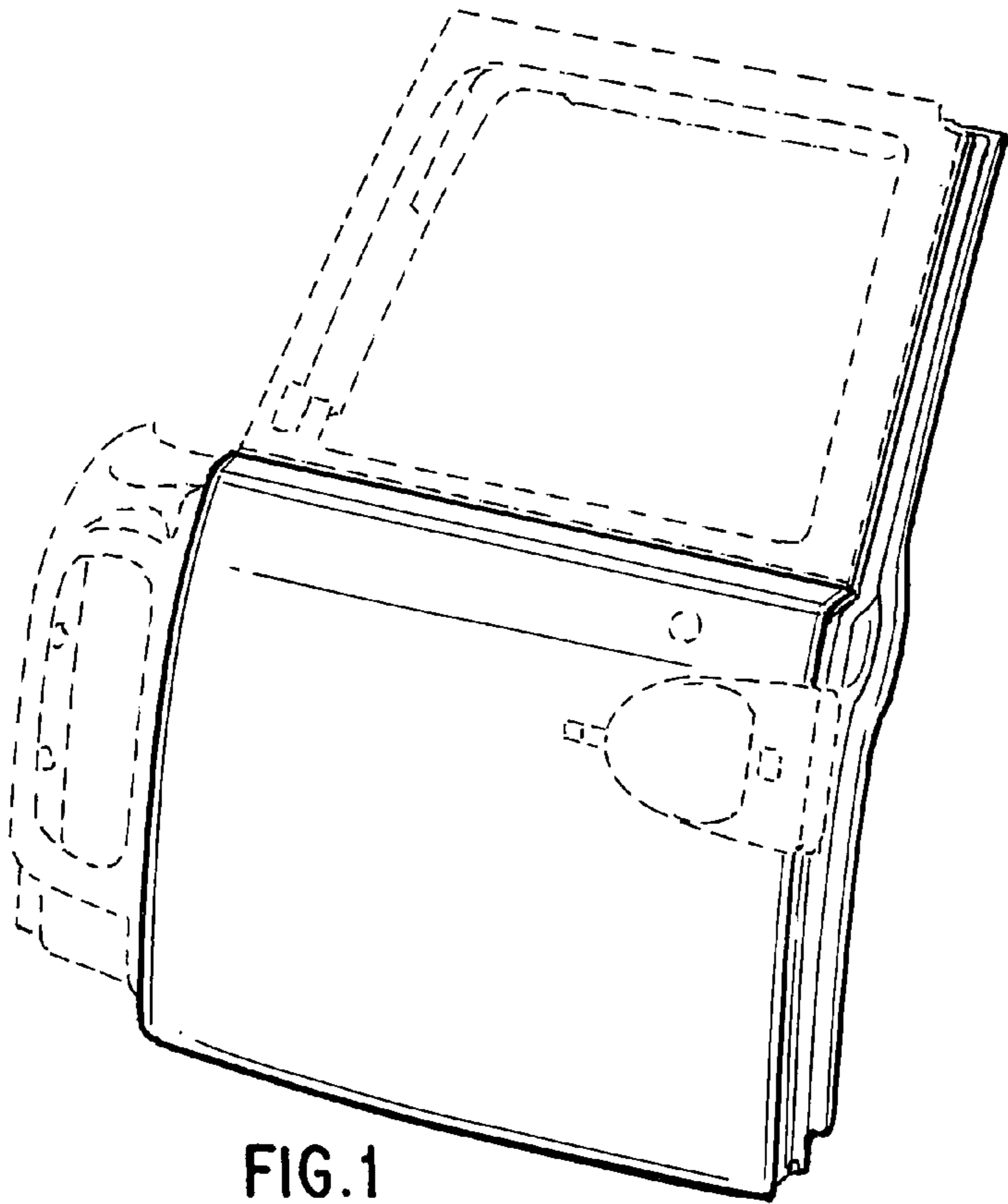


FIG. 1

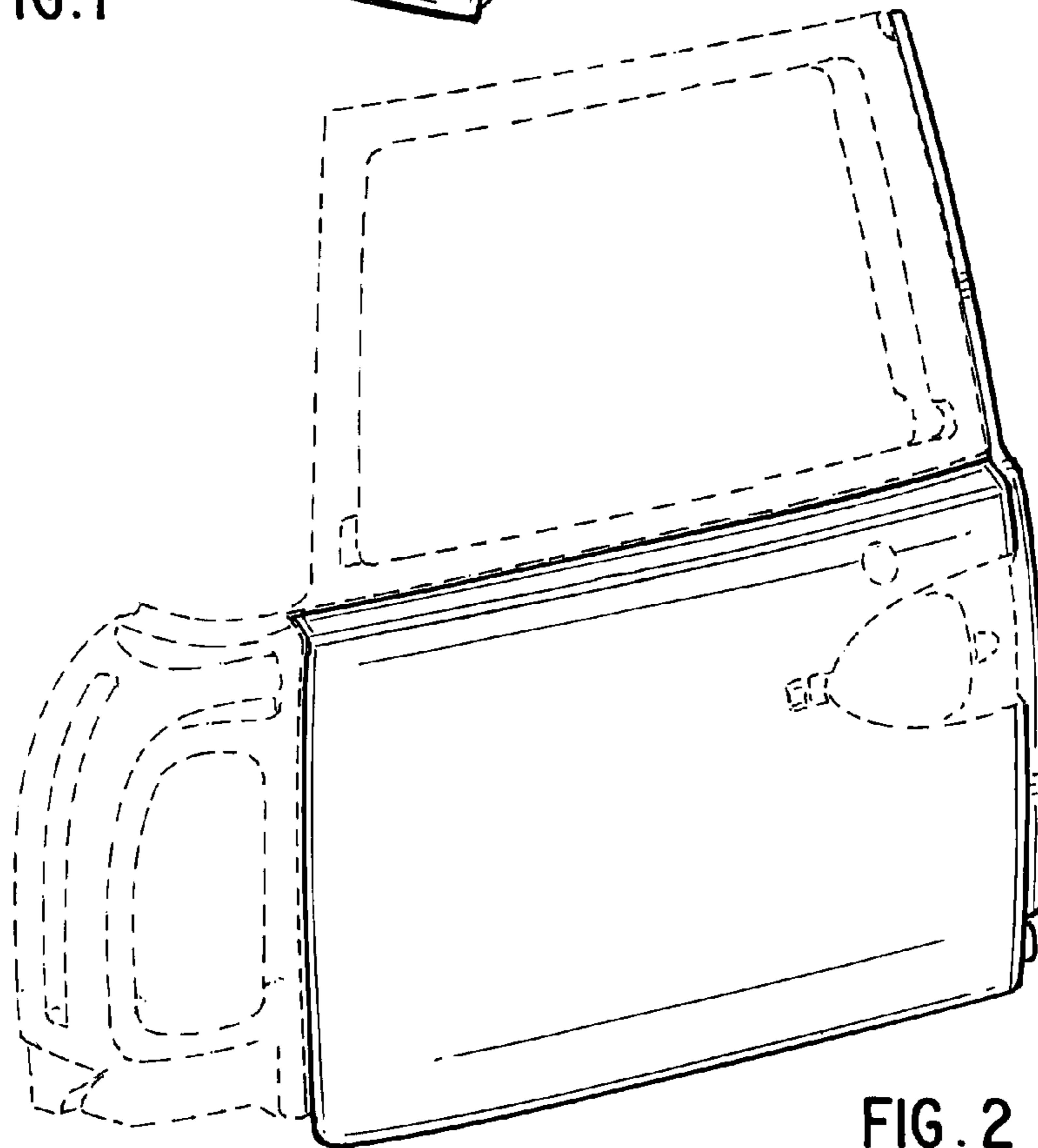


FIG. 2

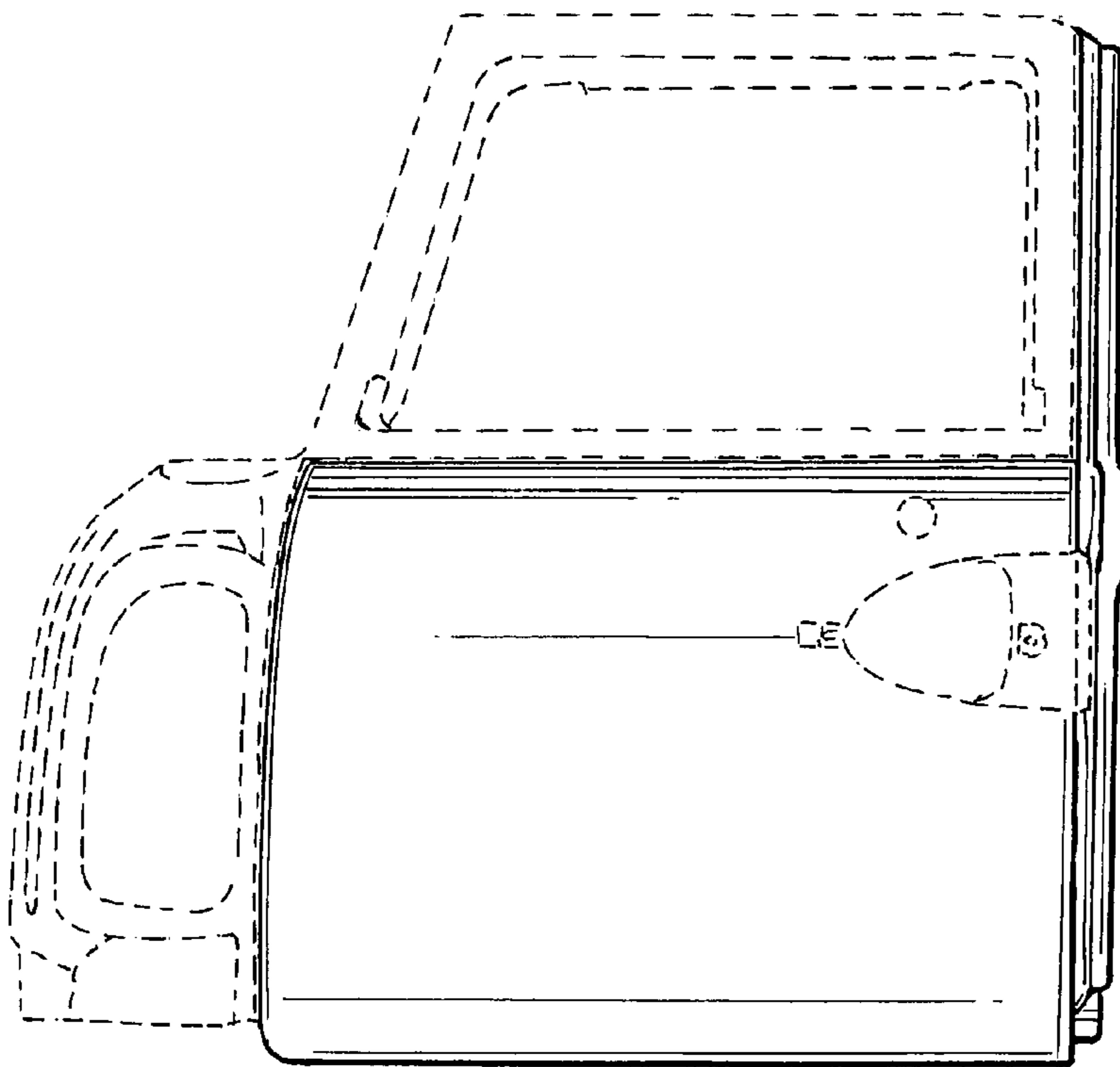


FIG. 3

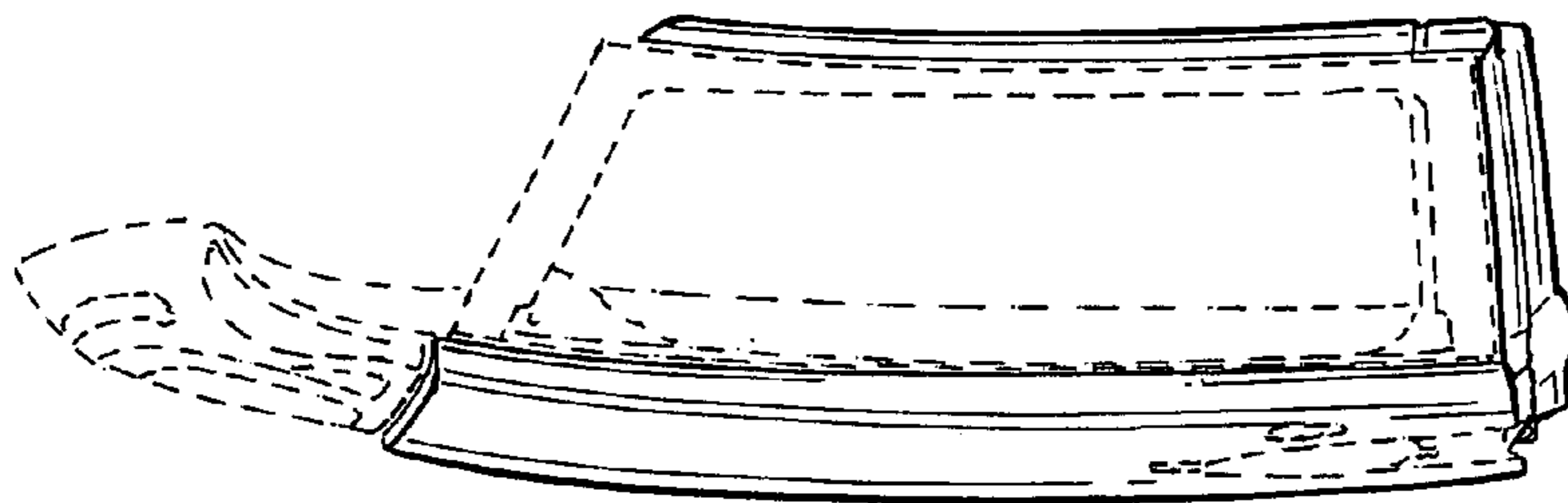


FIG. 4

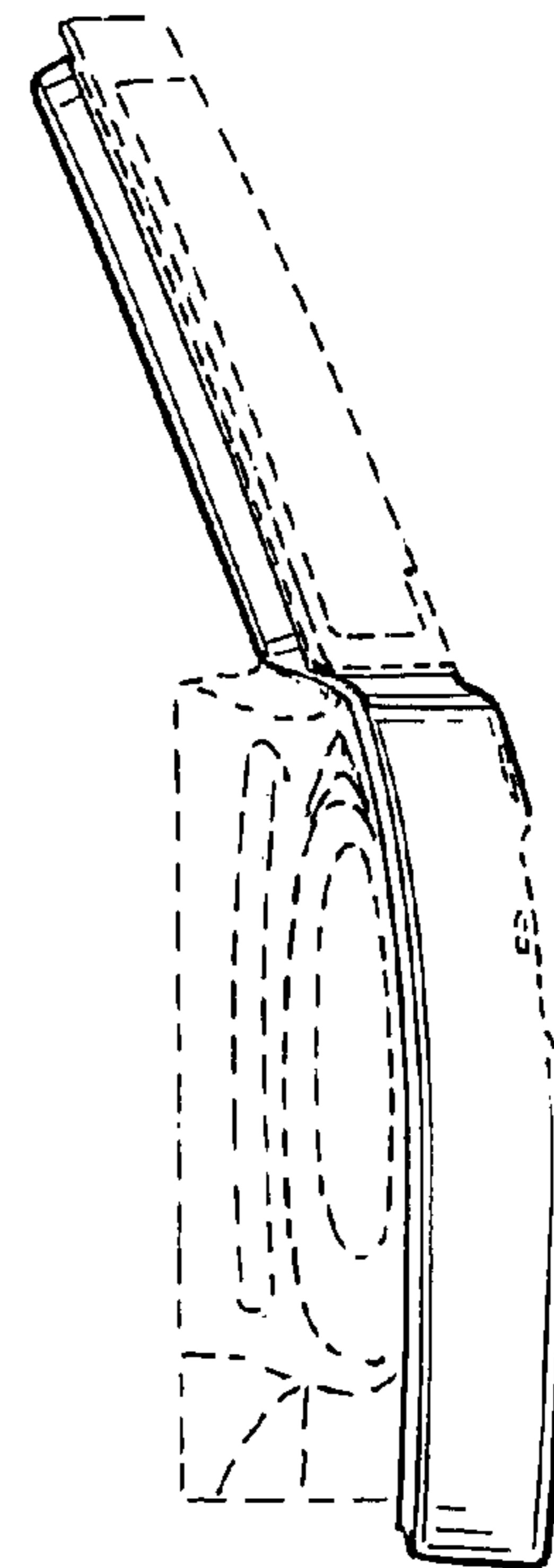


FIG. 5

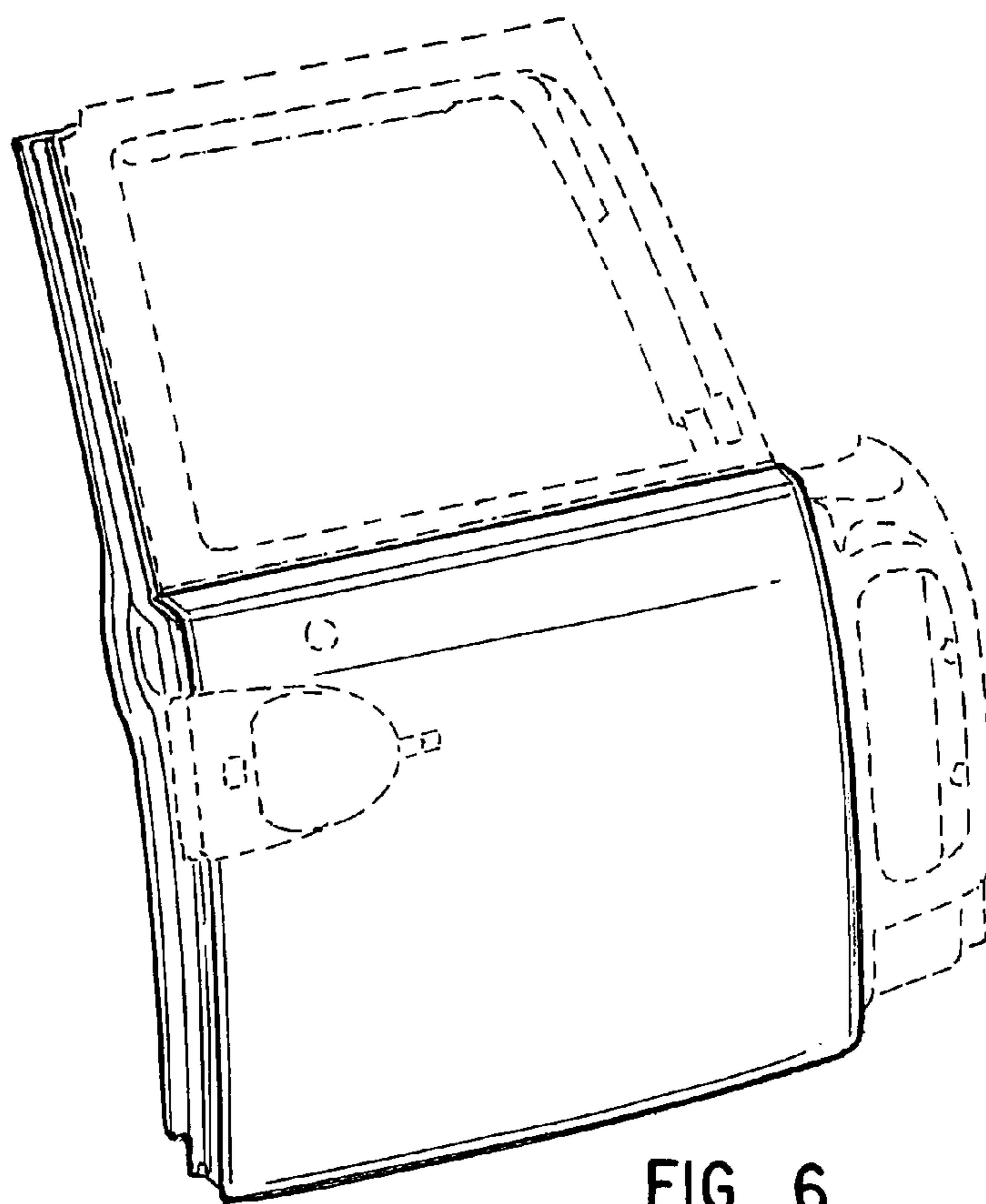


FIG. 6

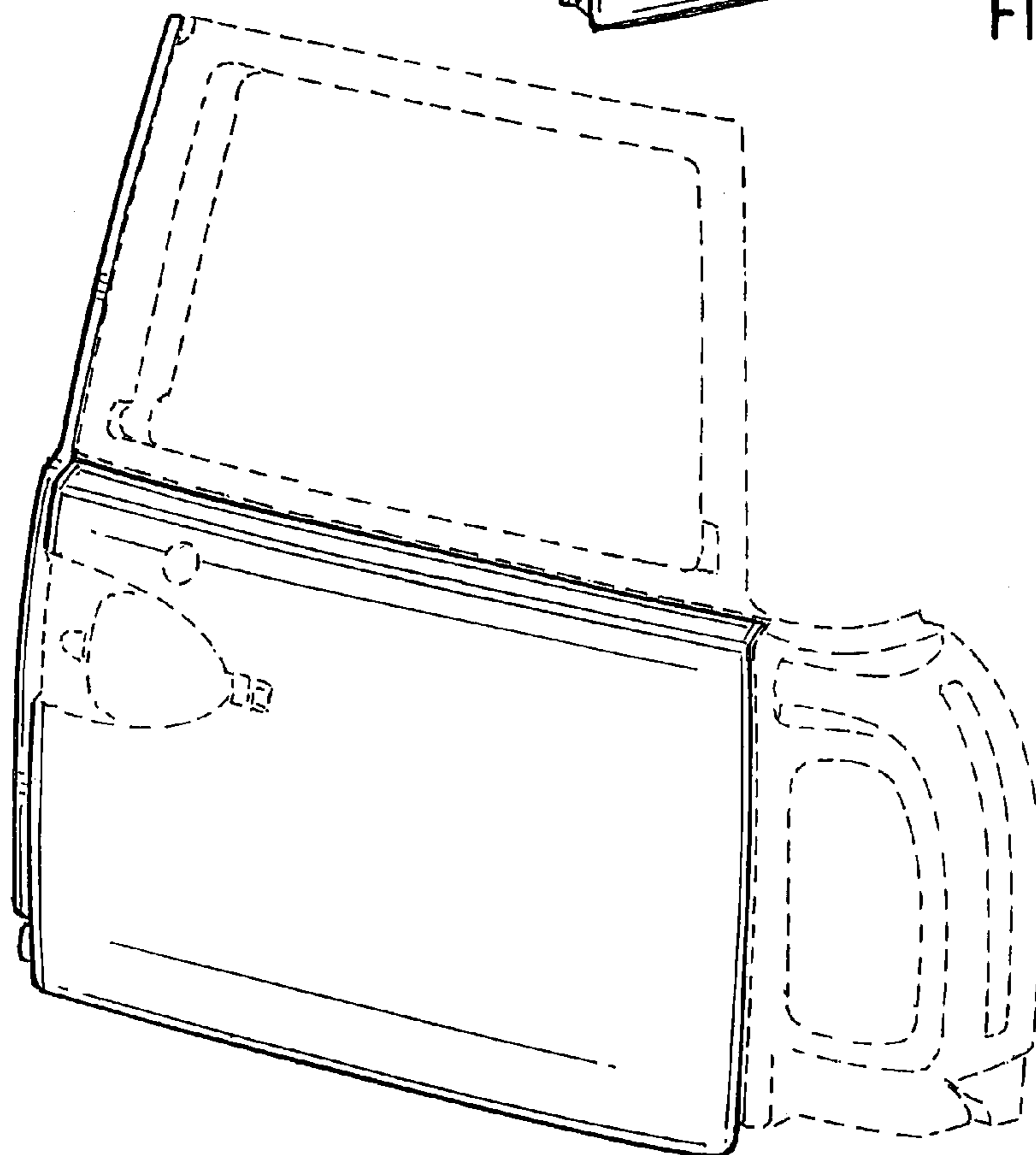


FIG. 7

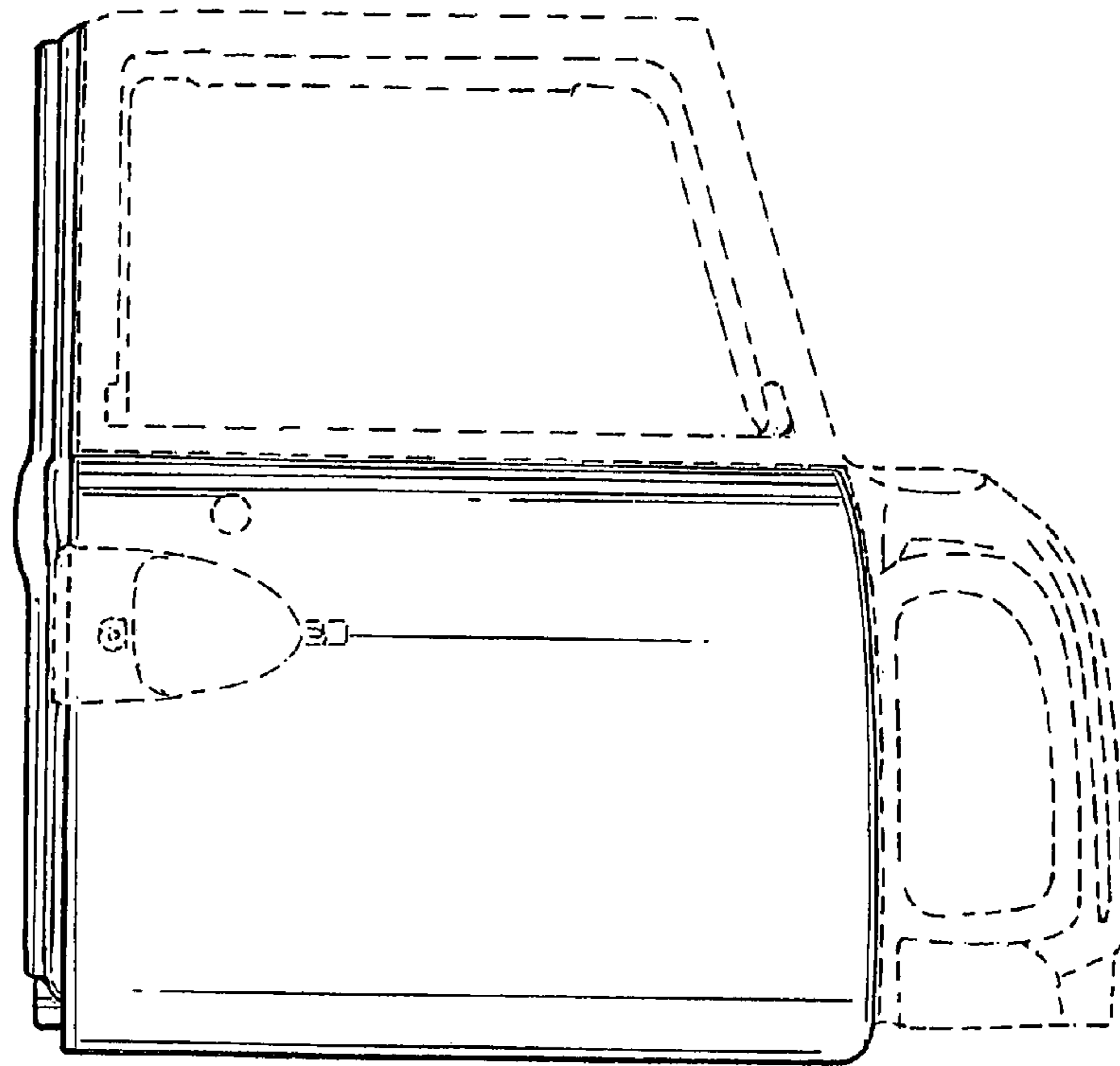


FIG. 8

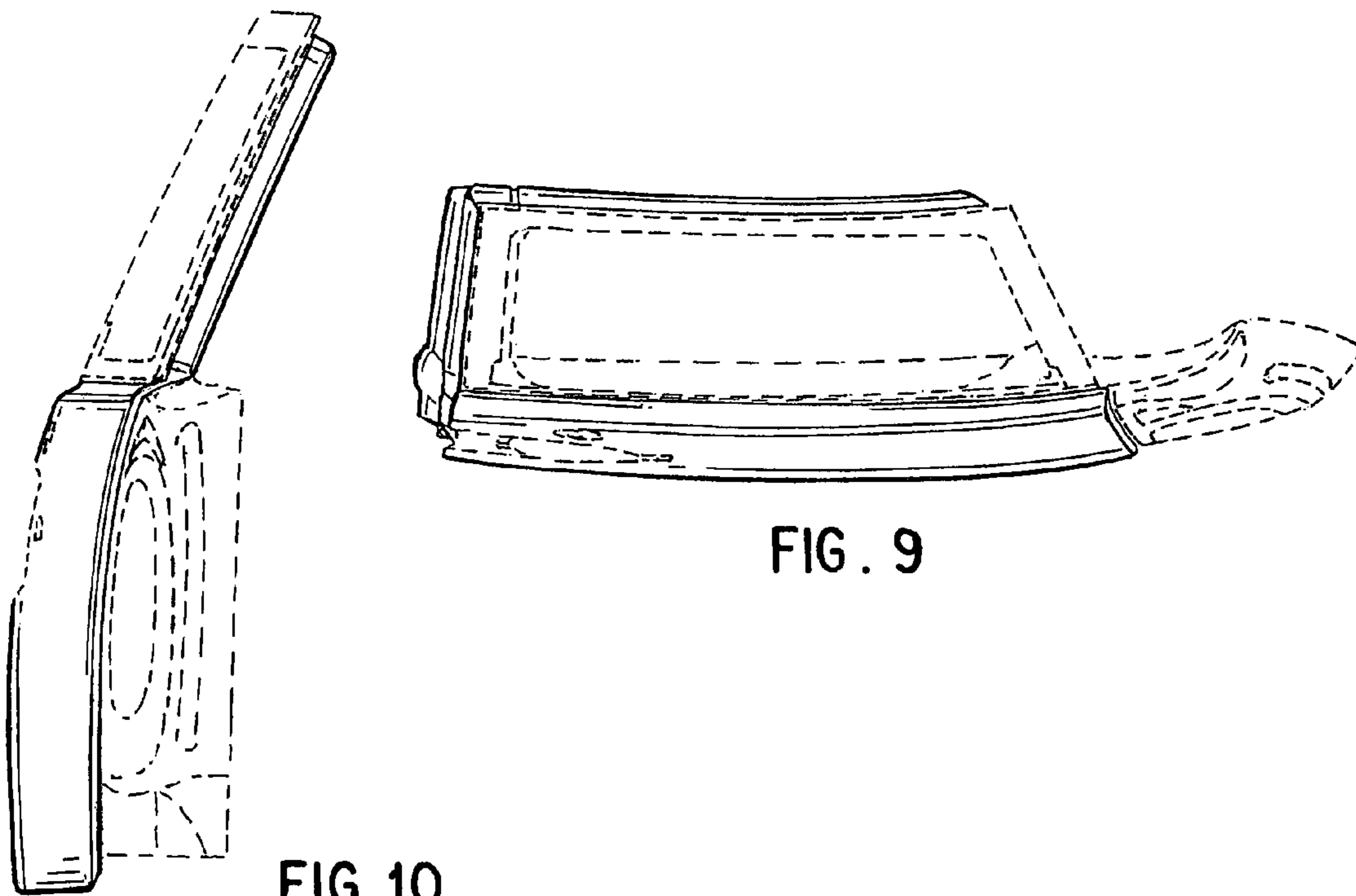


FIG. 9

FIG. 10