



US00D576531S

(12) **United States Design Patent**
Block et al.

(10) **Patent No.:** **US D576,531 S**
(45) **Date of Patent:** **** Sep. 9, 2008**

(54) **PALM TREE LICENSE PLATE FRAME**

D566,637 S * 4/2008 Hu D12/193

(76) Inventors: **Lance Block**, 3231-C Business Park Dr., Suite 111, Vista, CA (US) 92081; **Todd Spencer**, 19475 Beacon Lite Rd., Monument, CO (US) 80132; **Eldon Goates**, 1630 Vasquez Cir., Colorado Springs, CO (US) 80915

* cited by examiner

Primary Examiner—Stacia Cadmus
(74) *Attorney, Agent, or Firm*—Linda Flewellen Gould

(**) **Term:** **14 Years**

(57) **CLAIM**

The ornamental design for a palm tree license plate frame, as shown and described.

(21) **Appl. No.:** **29/301,455**

DESCRIPTION

(22) **Filed:** **Feb. 29, 2008**

FIG. 1 is a perspective front and right view of the palm tree license plate frame of the present invention, showing our new design.

(51) **LOC (8) Cl.** **12-16**

(52) **U.S. Cl.** **D12/193**

(58) **Field of Classification Search** D12/193;
D6/300–303, 310–314, 306; 40/200–204,
40/207–214; 362/497, 473, 327, 604
See application file for complete search history.

FIG. 2 is a front elevational view of the license plate frame of the present invention.

FIG. 3 is a top plan view of the license plate frame of the present invention, the bottom plan view being the mirror image thereof.

(56) **References Cited**

U.S. PATENT DOCUMENTS

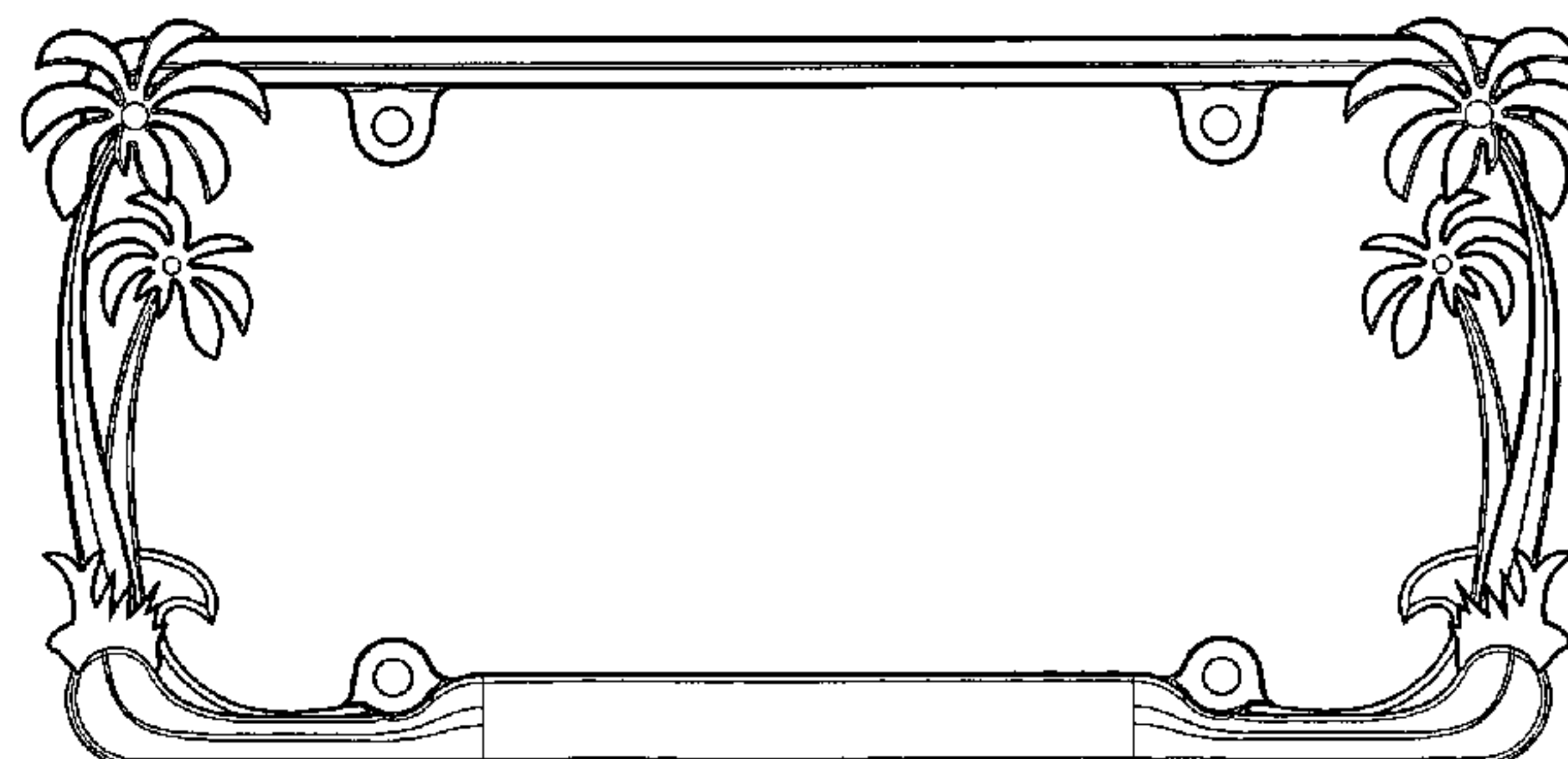
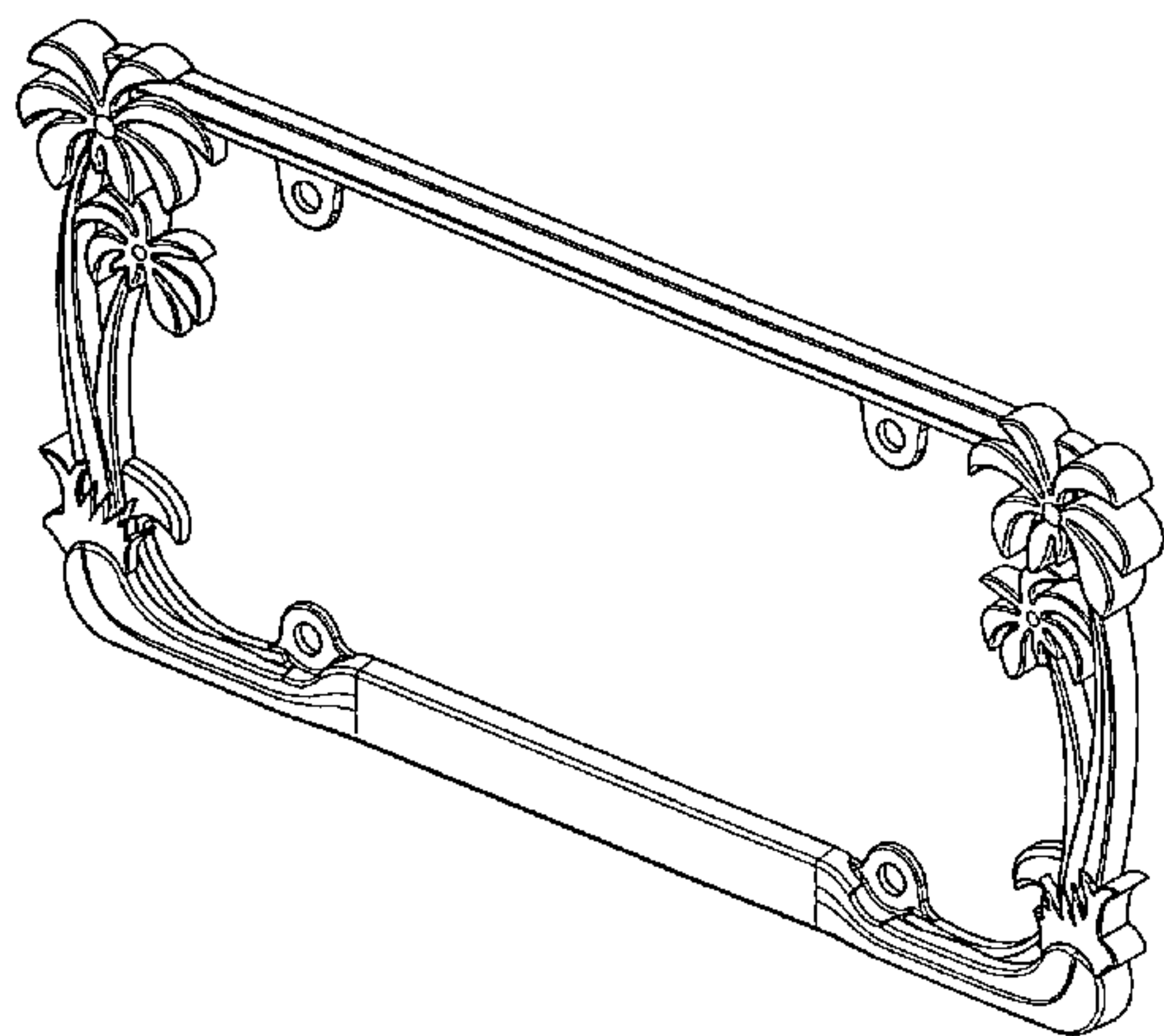
D347,416 S * 5/1994 Hu D12/193
D348,037 S * 6/1994 Hu D12/193
D443,239 S * 6/2001 Hussaini et al. D12/193
7,168,194 B2 * 1/2007 Yen 40/209

FIG. 4 is a right side elevational view thereof, the left side elevational view being the mirror image thereof.

FIG. 5 is a perspective rear view thereof; and,

FIG. 6 is a rear elevational view thereof.

1 Claim, 2 Drawing Sheets



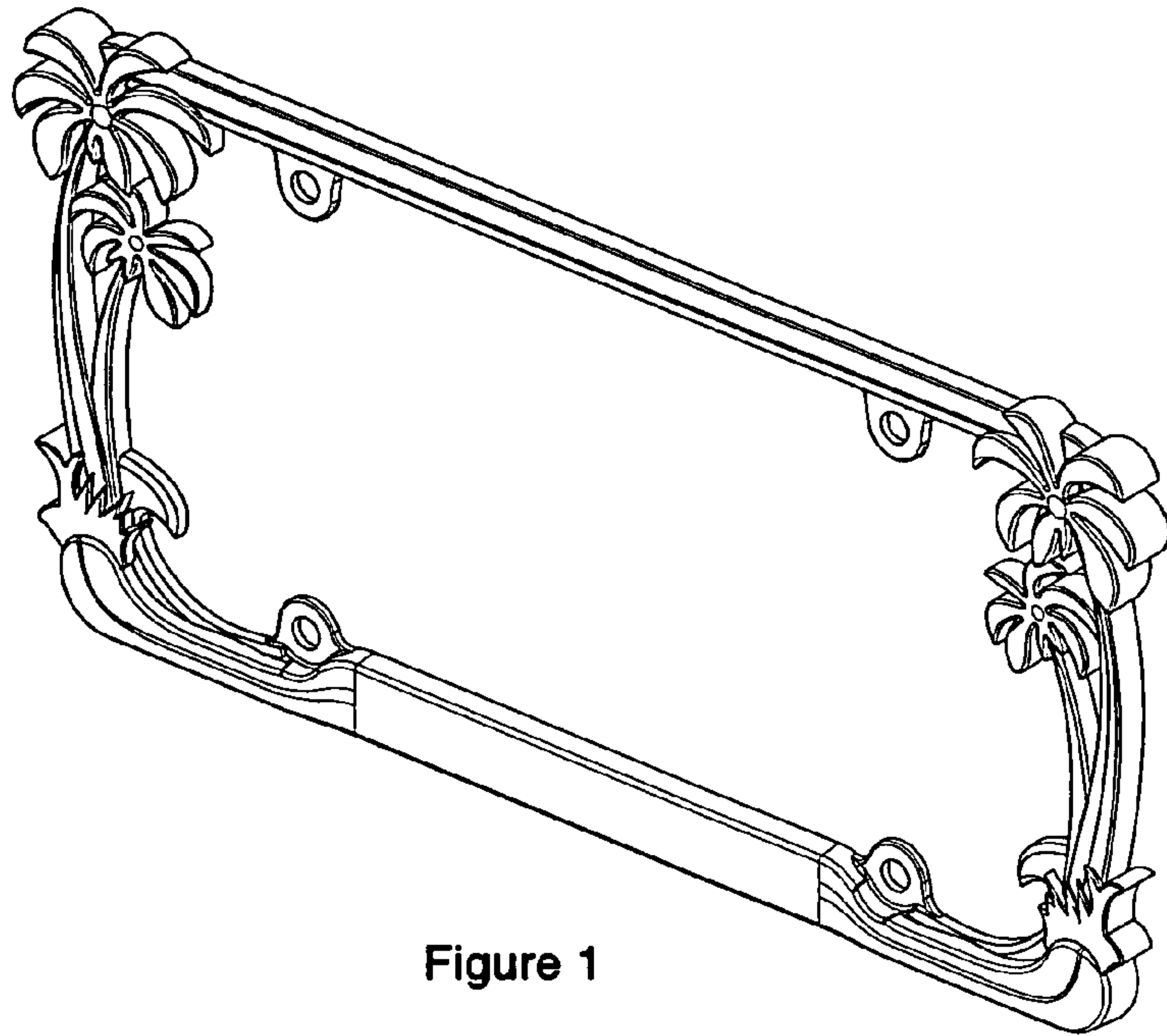


Figure 1

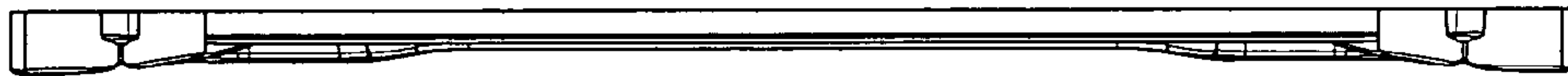


Figure 3

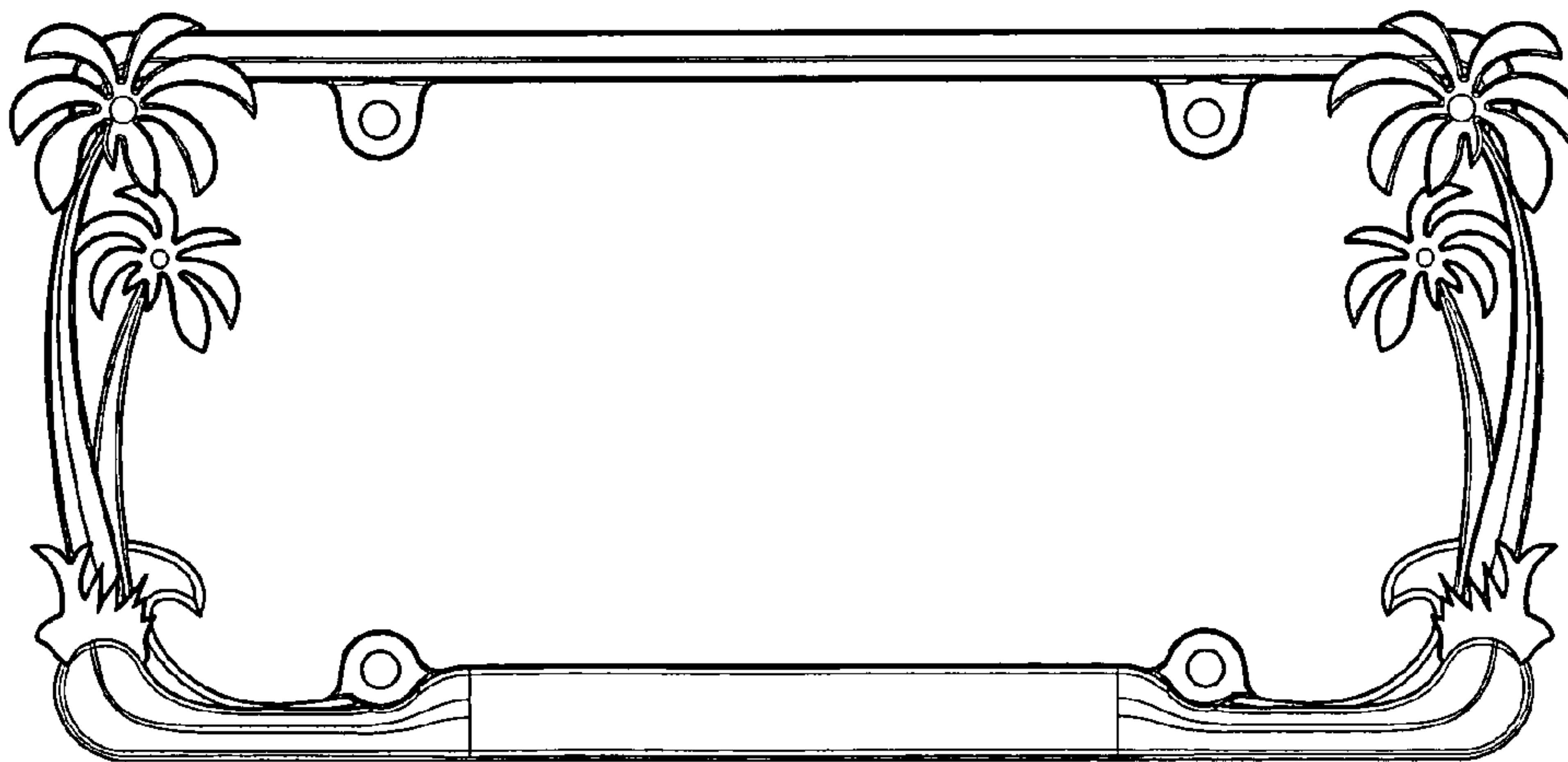


Figure 2

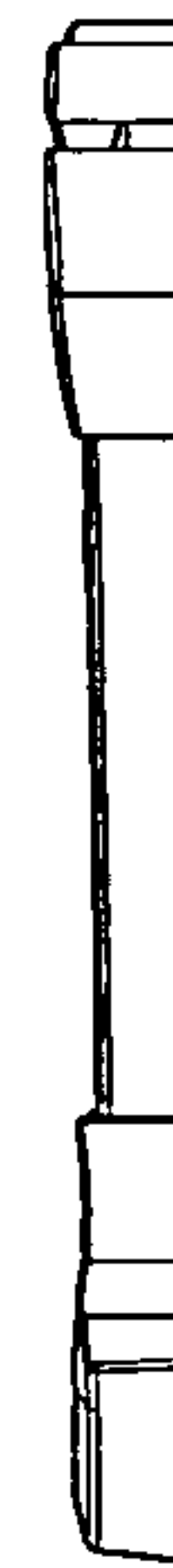


Figure 4

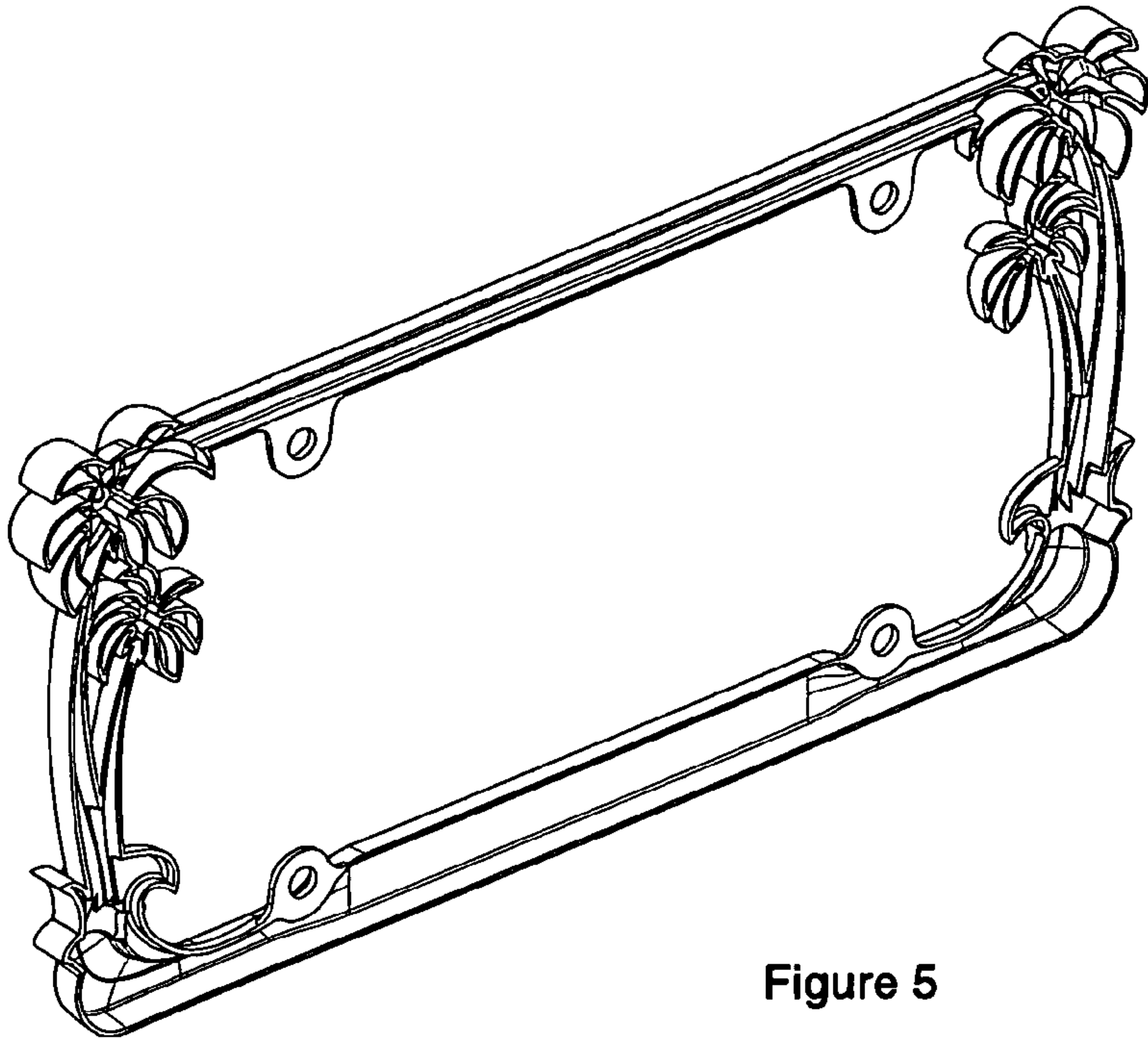


Figure 5

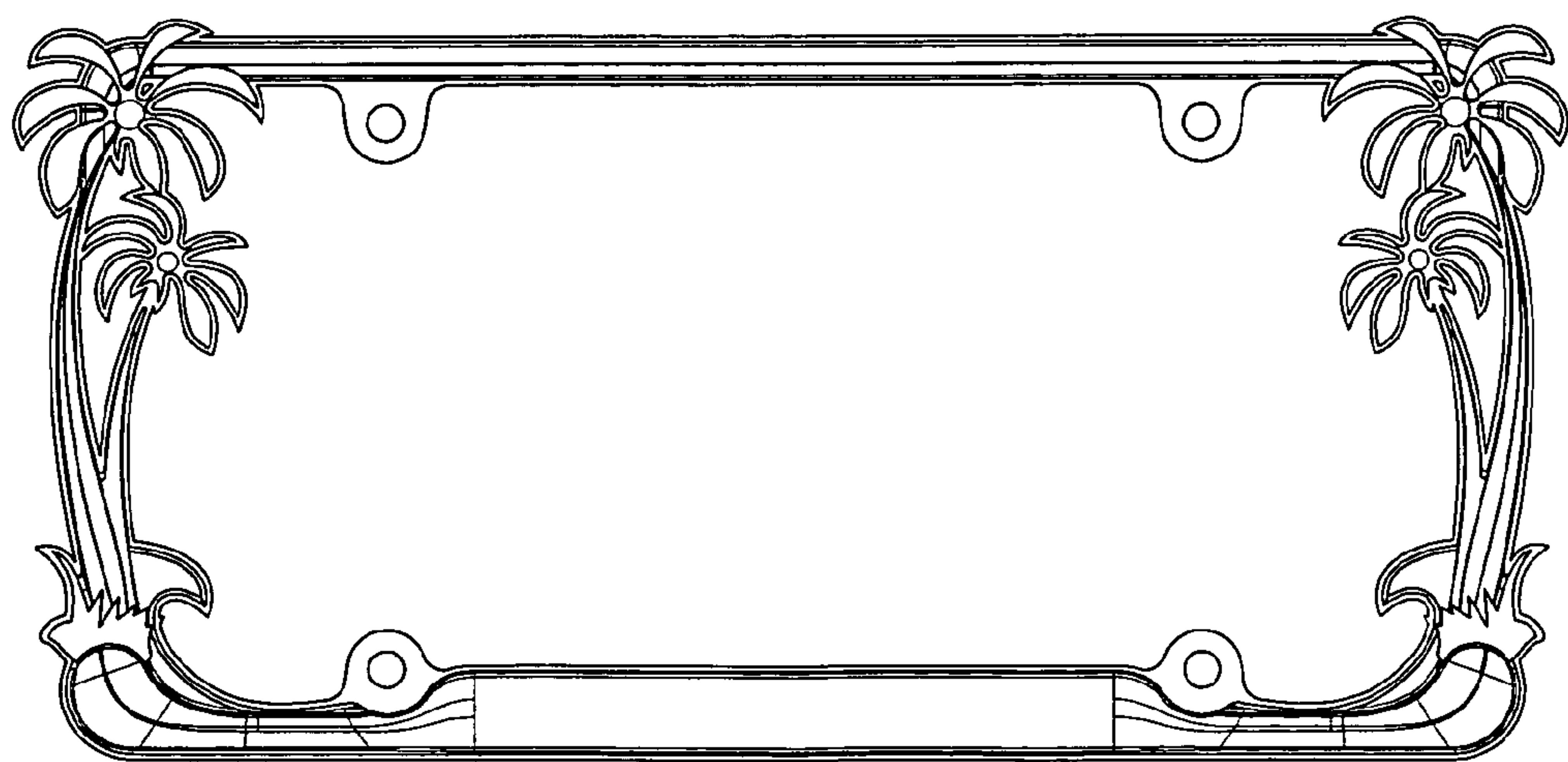


Figure 6