



US00D576512S

(12) **United States Design Patent**
Leasure et al.

(10) **Patent No.:** **US D576,512 S**
(45) **Date of Patent:** **** Sep. 9, 2008**

(54) **AIR COMPRESSOR**

D519,126 S * 4/2006 Leasure et al. D15/9
D535,309 S * 1/2007 Breecham et al. D15/9
D562,851 S * 2/2008 Leasure D15/9

(75) Inventors: **Jeremy D. Leasure**, Jackson, TN (US);
Mark A. Etter, Independence, MO
(US); **Robert P. Welsh**, Phoenix, MD
(US); **Stephen J. Vos**, Jackson, TN (US)

* cited by examiner

(73) Assignee: **Black & Decker Inc.**, Newark, DE (US)

Primary Examiner—R. Seifert
(74) *Attorney, Agent, or Firm*—Michael P. Leary; Adan Ayala

(**) Term: **14 Years**

(57) **CLAIM**

(21) Appl. No.: **29/250,467**

The ornamental design for an air compressor, as shown and described.

(22) Filed: **Nov. 16, 2006**
(Under 37 CFR 1.47)

DESCRIPTION

Related U.S. Application Data

(63) Continuation-in-part of application No. 29/237,453,
filed on Aug. 31, 2005, now abandoned.

FIG. 1 is a right/front perspective view of an air compressor showing our new design;

(51) **LOC (8) Cl.** **15-02**

FIG. 2 is a front view thereof;

(52) **U.S. Cl.** **D11/15**

FIG. 3 is a rear view thereof;

(58) **Field of Classification Search** D15/7-9;
D23/231, 232; 417/410.1, 359, 415-416,
417/234, 321, 265, 405

FIG. 4 is a left side view thereof;

FIG. 5 is a right side view thereof;

See application file for complete search history.

FIG. 6 is a top view thereof; and,

FIG. 7 is a bottom view thereof.

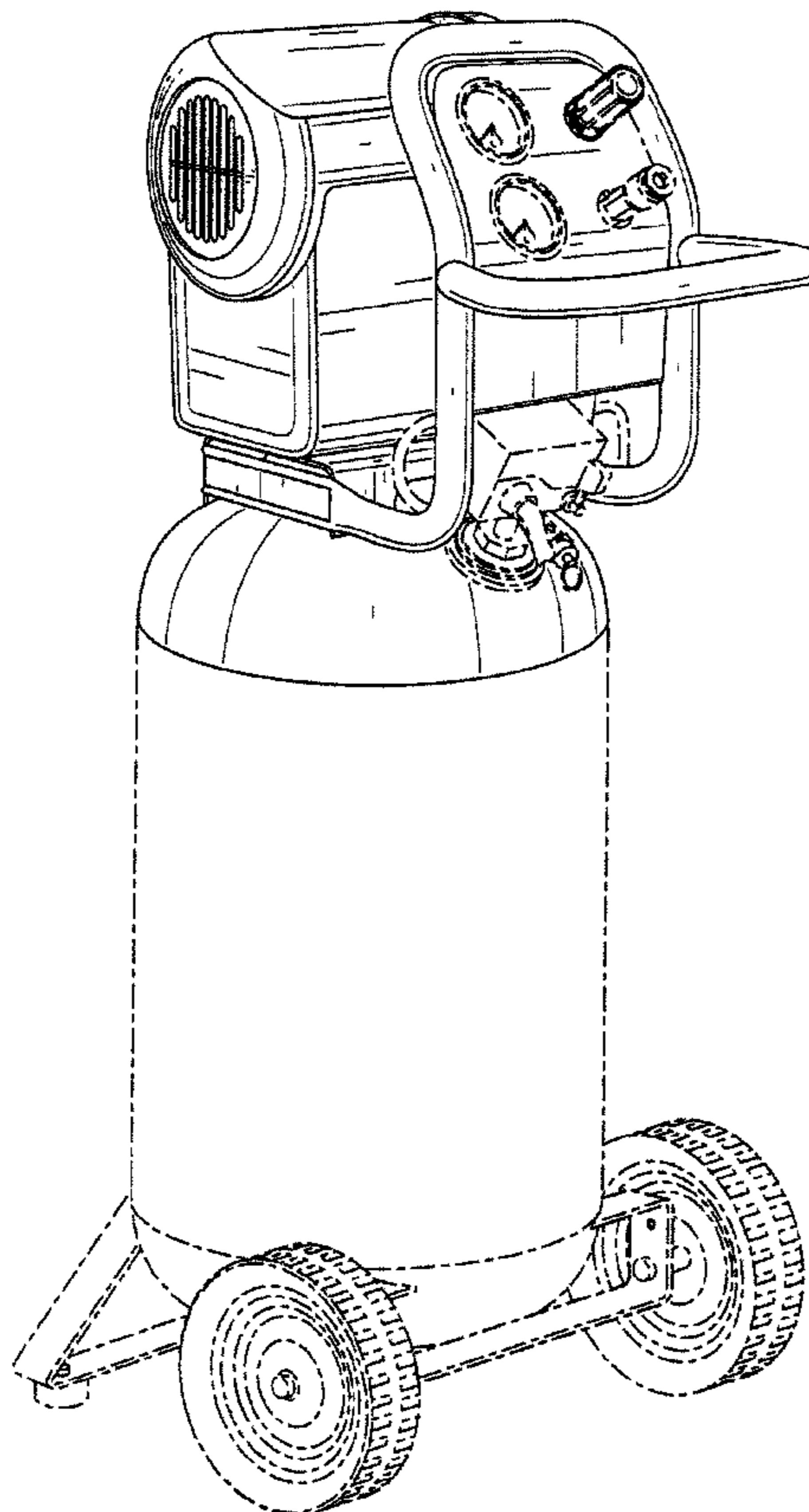
(56) **References Cited**

The broken lines and the areas within the broken lines form no part of the claimed ornamental design.

U.S. PATENT DOCUMENTS

D446,792 S * 8/2001 Matthew et al. D15/9

1 Claim, 6 Drawing Sheets



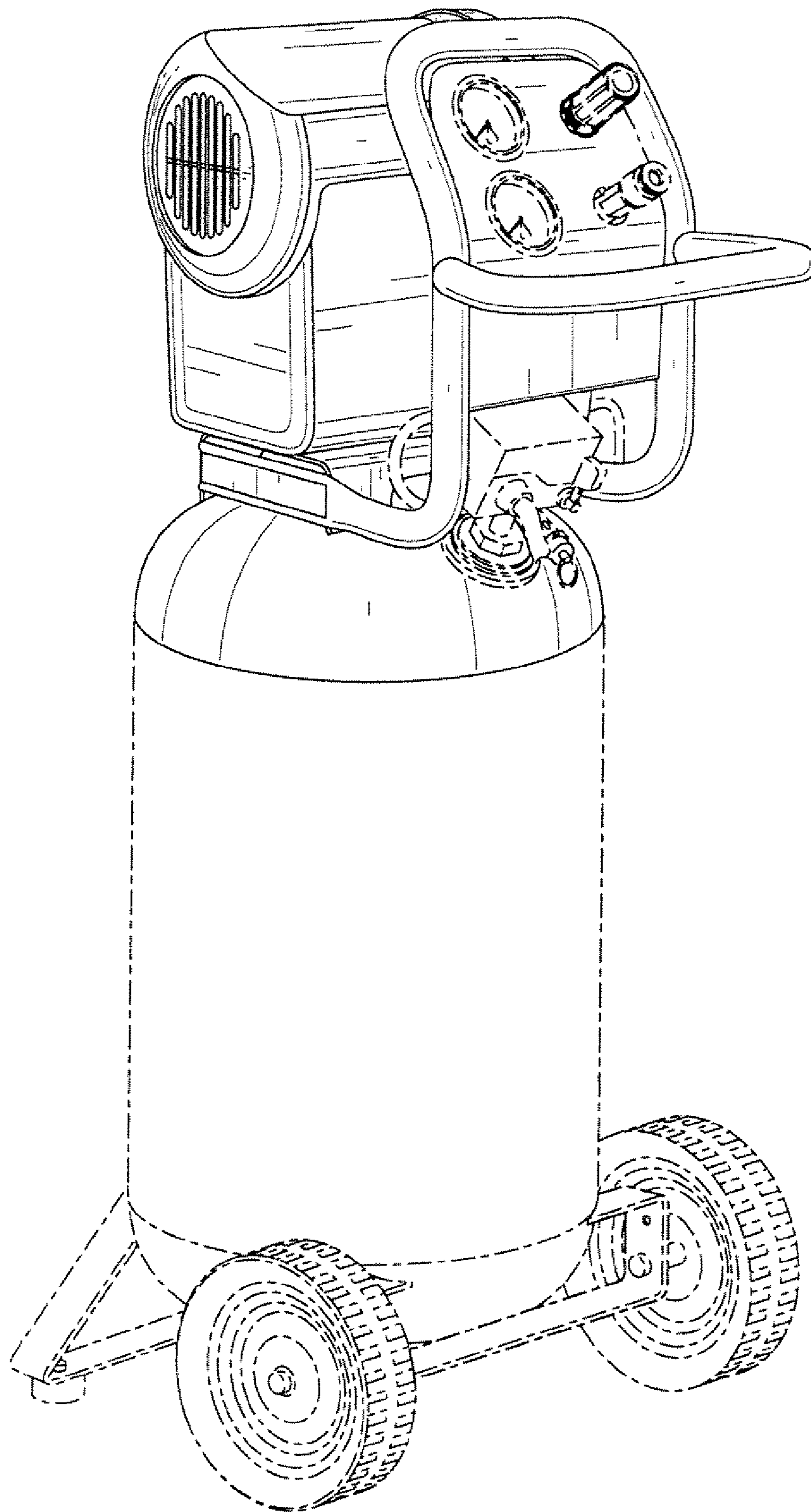


FIG. 1

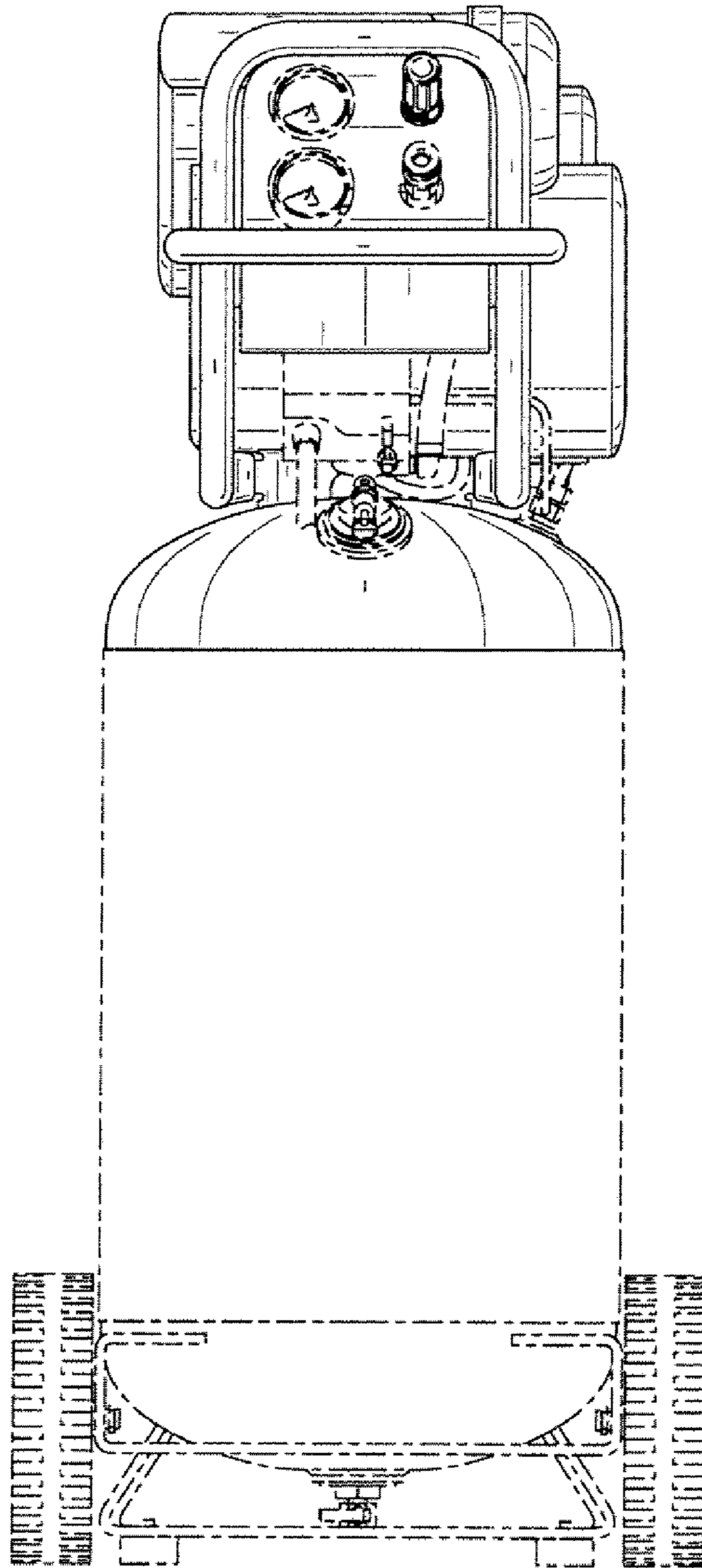


FIG. 2

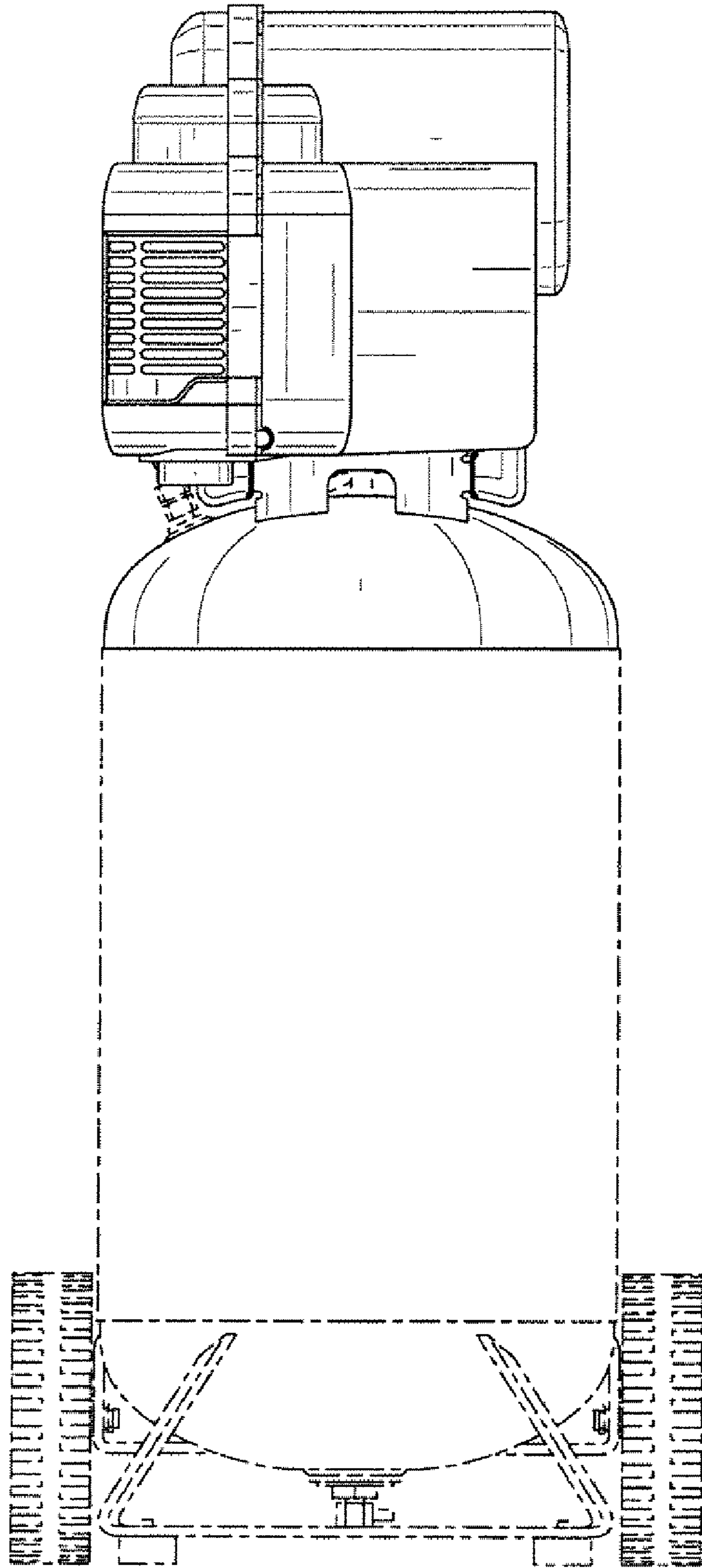


FIG. 3

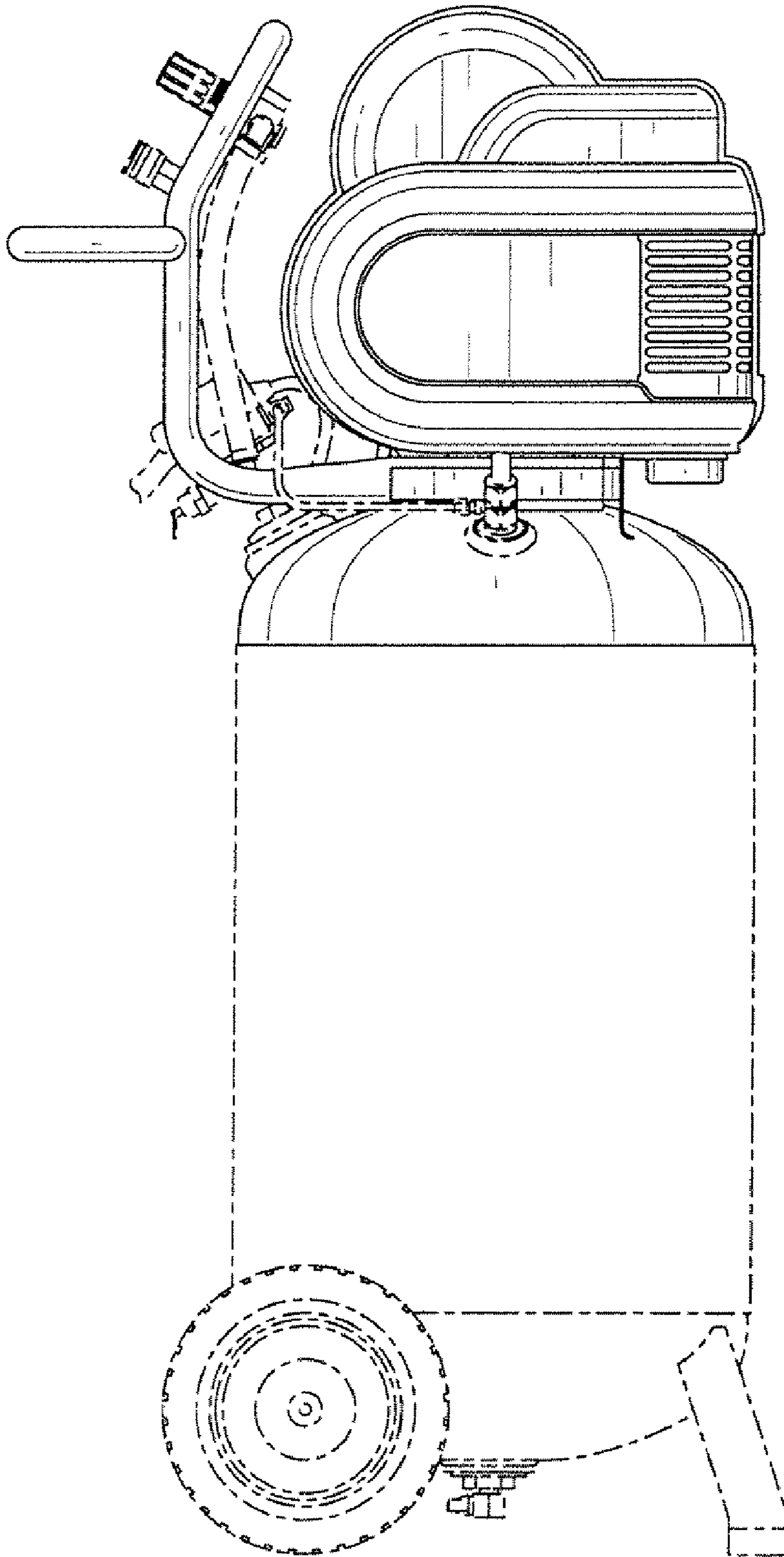


FIG. 4

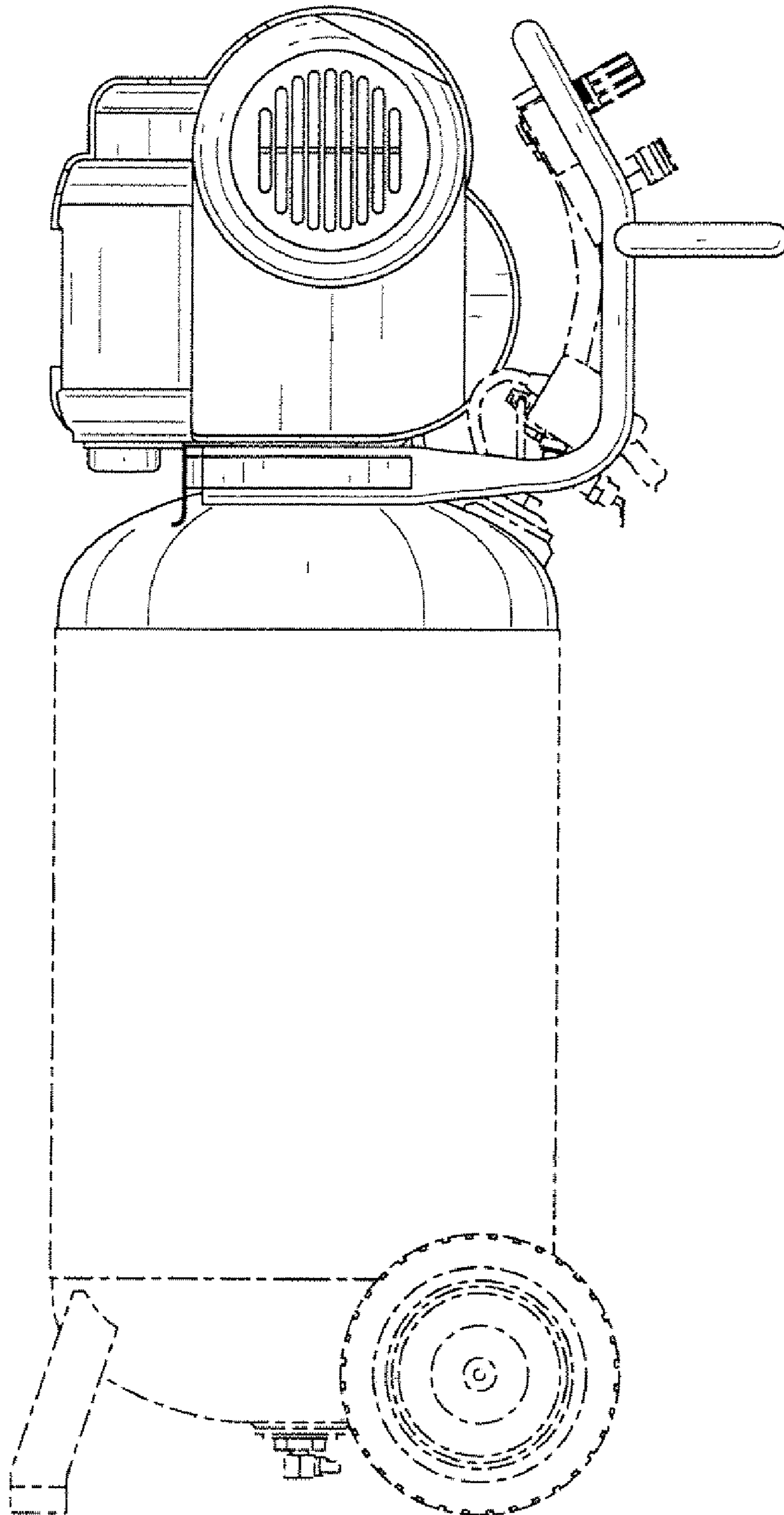


FIG. 5

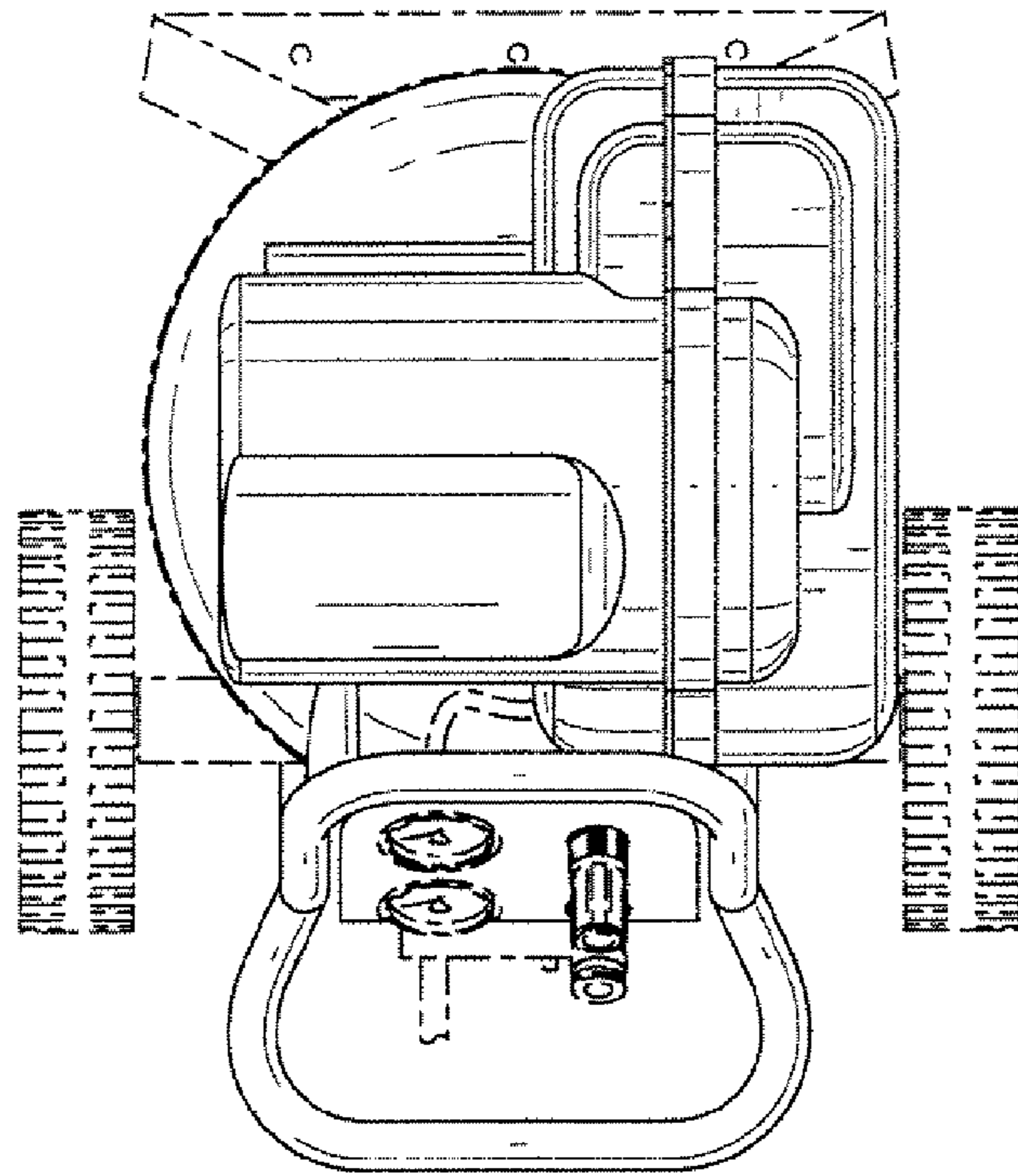


FIG. 6

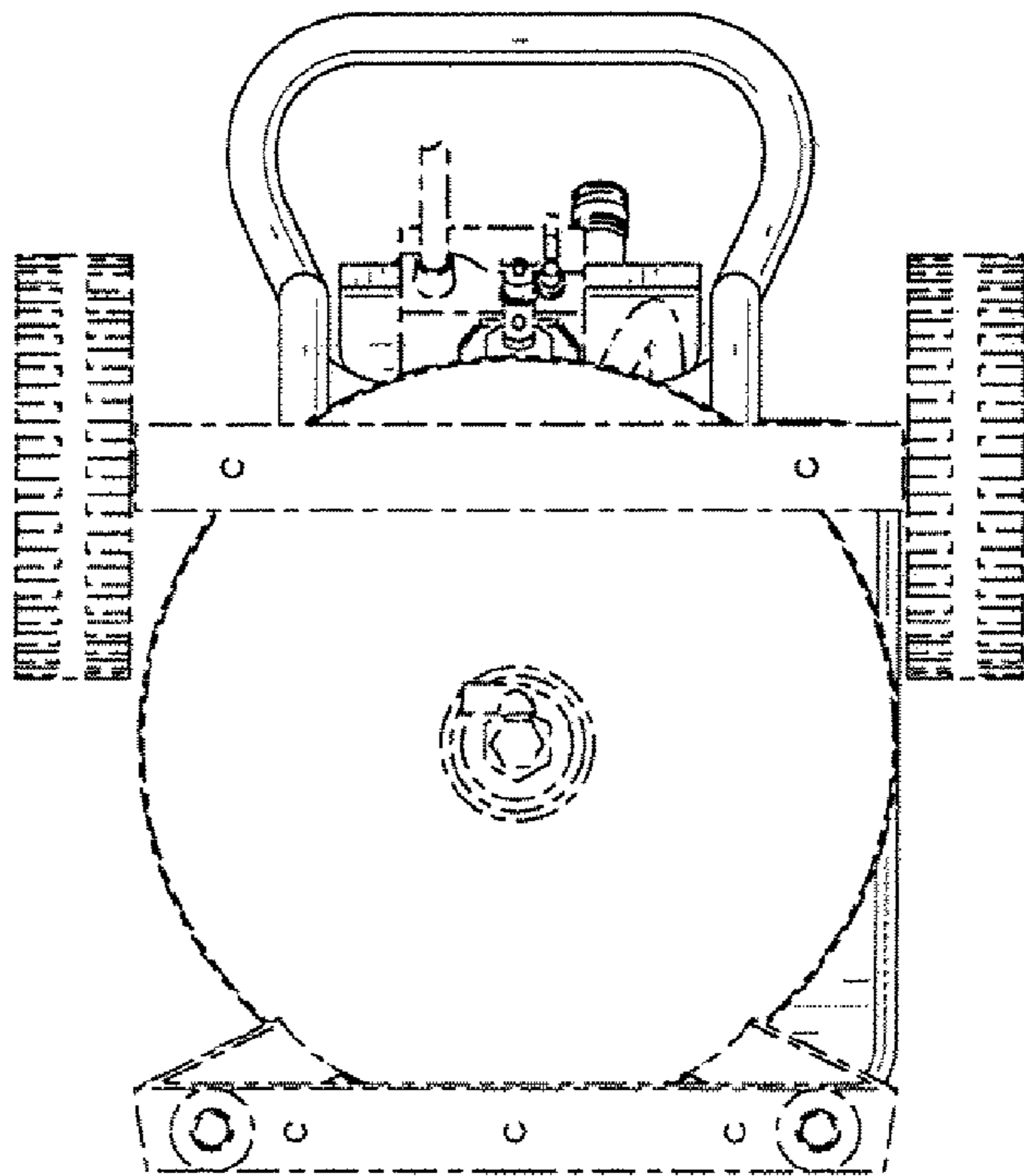


FIG. 7