



US00D576508S

(12) **United States Design Patent**  
**Farnworth et al.**

(10) **Patent No.:** **US D576,508 S**  
(45) **Date of Patent:** **\*\* Sep. 9, 2008**

(54) **RULER WITH ROUNDED ENDS**

(57) **CLAIM**

(75) Inventors: **Stuart David Farnworth**, Westport, CT (US); **Jonathan A. Lee**, Milford, CT (US)

The ornamental design for a ruler with rounded ends, as shown and described.

(73) Assignee: **Acme United Corporation**, Fairfield, CT (US)

**DESCRIPTION**

(\*\*) Term: **14 Years**

FIG. 1 is a top plan view of a ruler with rounded ends showing our new design;

(21) Appl. No.: **29/291,587**

FIG. 2 is a front elevational view thereof, the rear elevational view thereof being identical;

(22) Filed: **Sep. 6, 2007**

FIG. 3 is an enlarged left side view thereof, the right side view thereof being identical;

(51) **LOC (8) Cl.** ..... **10-04**

(52) **U.S. Cl.** ..... **D10/71**

(58) **Field of Classification Search** ..... D10/71;  
33/484-495

FIG. 4 is an enlarged central cross-sectional view thereof showing the contours in more detail;

See application file for complete search history.

FIG. 5 is a top plan view of a second embodiment of a ruler with rounded ends showing our new design;

(56) **References Cited**

**U.S. PATENT DOCUMENTS**

D408,743 S \* 4/1999 Bedol ..... D10/71  
5,971,235 A \* 10/1999 Chanek ..... 33/485

FIG. 6 is a front elevational view thereof of the ruler with rounded ends of FIG. 5, the rear elevational view thereof being identical; and,

\* cited by examiner

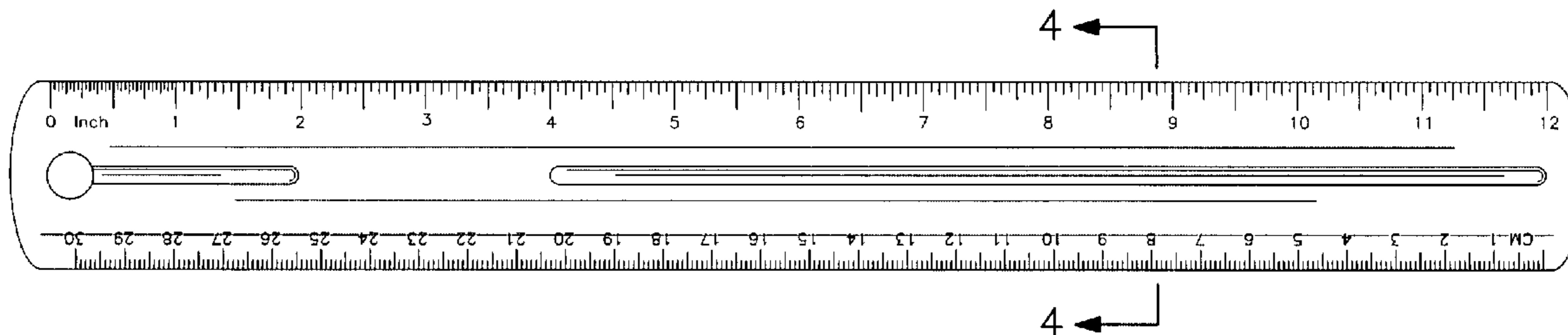
FIG. 7 is a left end view of the ruler with rounded ends of FIG. 5, the right end view thereof being identical.

No claim is made to the specific measurement scales for the embodiment of FIGS. 5-7.

*Primary Examiner*—Antoine D Davis

(74) *Attorney, Agent, or Firm*—Alix, Yale & Ristas, LLP

**1 Claim, 2 Drawing Sheets**



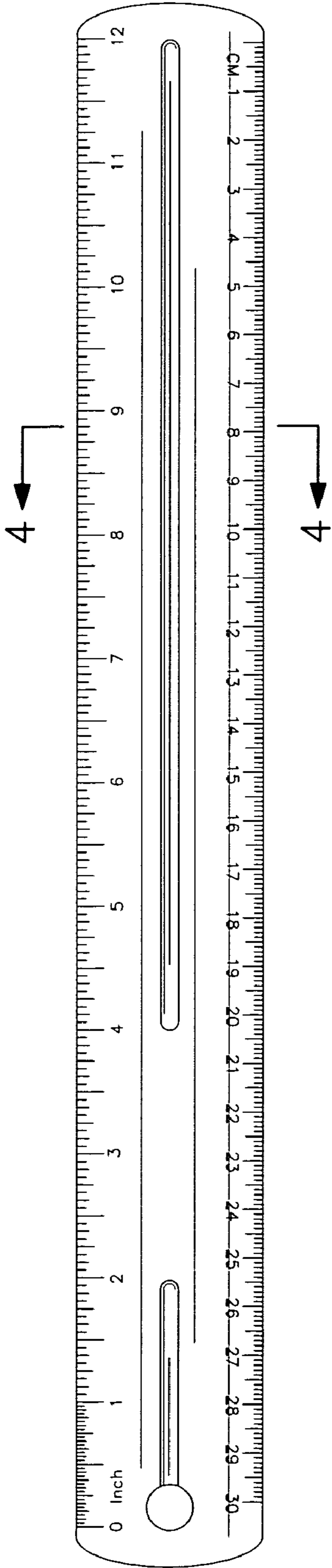


FIG. 1



FIG. 2



FIG. 3

FIG. 4

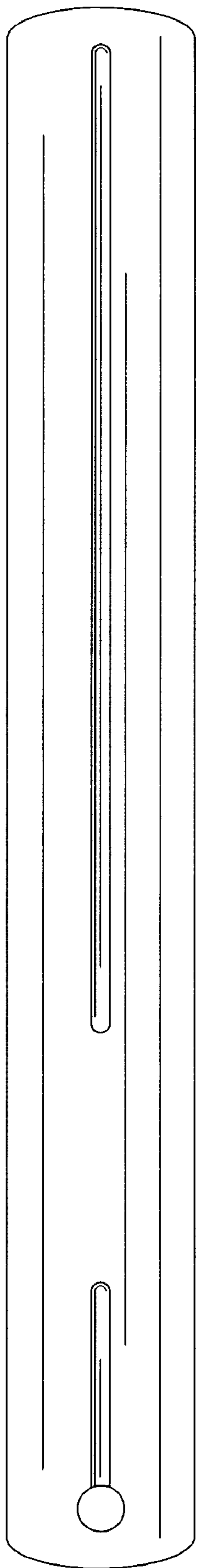


FIG. 5

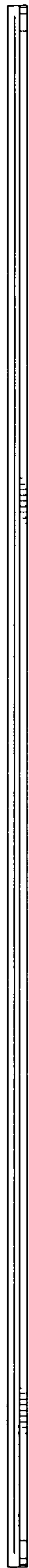


FIG. 6



FIG. 7