

US00D576507S

(12) **United States Design Patent**  
**Farnworth et al.**

(10) **Patent No.:** **US D576,507 S**  
(45) **Date of Patent:** **\*\* Sep. 9, 2008**

(54) **RULER WITH TAPERED GROOVE**

(57) **CLAIM**

(75) Inventors: **Stuart David Farnworth**, Westport, CT (US); **Jonathan A. Lee**, Milford, CT (US)

The ornamental design for a ruler with tapered groove, as shown and described.

(73) Assignee: **Acme United Corporation**, Fairfield, CT (US)

**DESCRIPTION**

(\*\*) Term: **14 Years**

FIG. 1 is a top plan view of the ruler with tapered groove showing our new design;

(21) Appl. No.: **29/291,584**

FIG. 2 is a front elevational view thereof, the rear elevational view thereof being identical;

(22) Filed: **Sep. 6, 2007**

FIG. 3 is an enlarged left side view thereof, the right side view thereof being identical;

(51) **LOC (8) Cl.** ..... **10-04**

FIG. 4 is an enlarged central cross-sectional view thereof showing the contours in more detail;

(52) **U.S. Cl.** ..... **D10/71**

FIG. 5 is a top plan view of a second embodiment of the ruler with tapered groove showing our new design;

(58) **Field of Classification Search** ..... D10/71;  
33/484-495

FIG. 6 is a front elevational view of the ruler with tapered groove of FIG. 5, the rear elevational view thereof being identical;

See application file for complete search history.

FIG. 7 is an enlarged left end view of the ruler with tapered groove of FIG. 5, the right end view thereof being identical; and,

(56) **References Cited**

**U.S. PATENT DOCUMENTS**

- D261,612 S \* 11/1981 Henkels ..... D10/71
- D426,784 S \* 6/2000 Carlson ..... D10/71
- D493,735 S \* 8/2004 Shapiro ..... D10/71
- D554,548 S \* 11/2007 Verdura et al. .... D10/71

FIG. 8 is an enlarged central cross-sectional view of the ruler with tapered groove of FIG. 5 showing the contours in more detail.

No claim is made to the specific measurement scales for the embodiment of FIGS. 5-8.

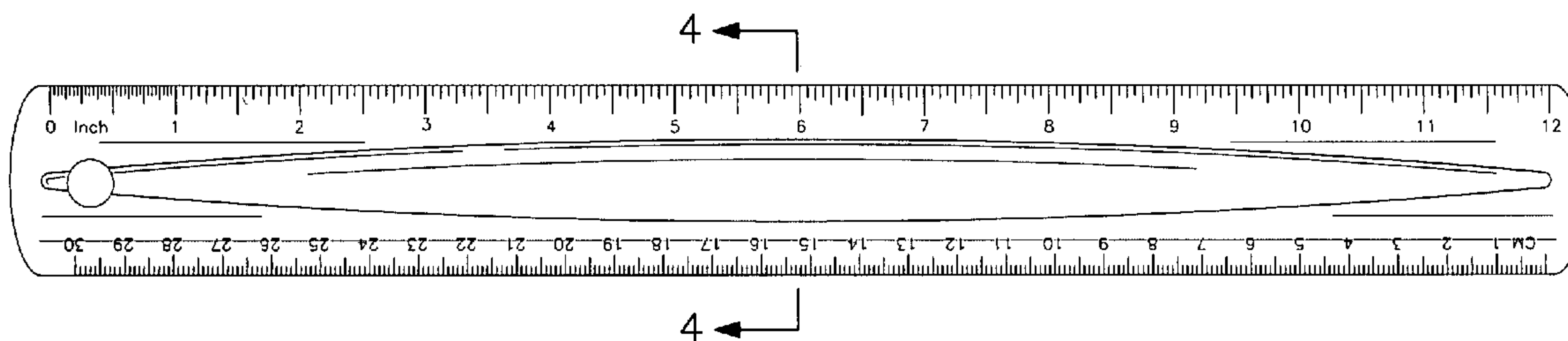
\* cited by examiner

No claim is made to the bottom plan view for the embodiment of FIGS. 1-4 or the embodiment of FIGS. 5-8.

*Primary Examiner*—Antoine D Davis

(74) *Attorney, Agent, or Firm*—Alix, Yale & Ristas, LLP

**1 Claim, 2 Drawing Sheets**



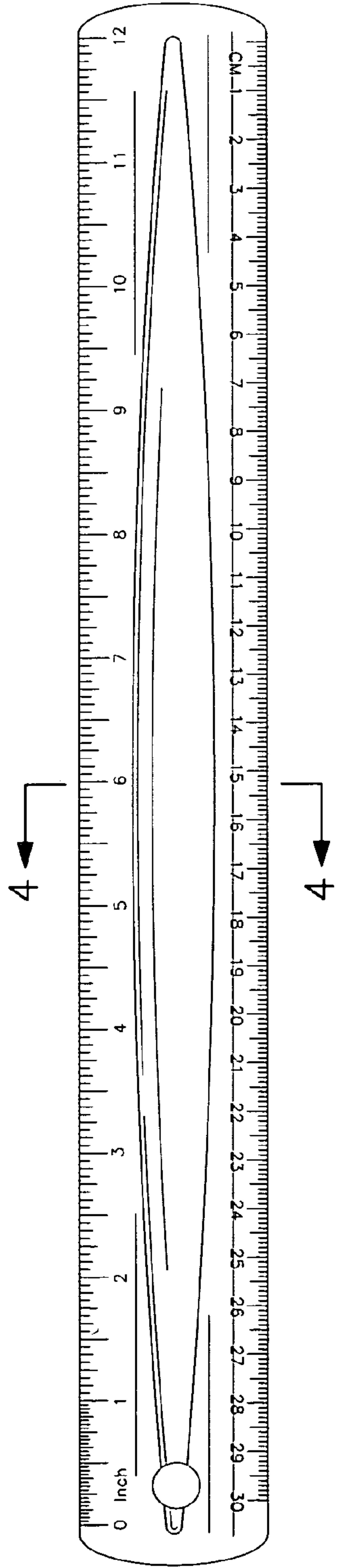


FIG. 1



FIG. 2



FIG. 3



FIG. 4

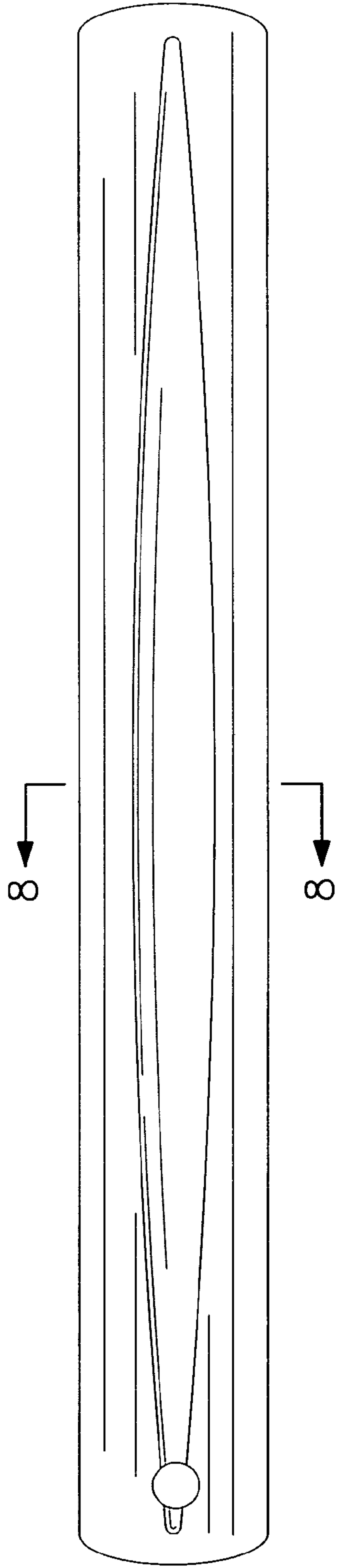


FIG. 5



FIG. 6



FIG. 7



FIG. 8