



US00D576506S

(12) **United States Design Patent**  
**Farnworth et al.**

(10) **Patent No.:** **US D576,506 S**  
(45) **Date of Patent:** **\*\* Sep. 9, 2008**

(54) **FINGER GRIP RULER**

(75) Inventors: **Stuart David Farnworth**, Westport, CT  
(US); **Jonathan A. Lee**, Milford, CT  
(US)

(73) Assignee: **Acme United Corporation**, Fairfield,  
CT (US)

(\*\*) Term: **14 Years**

(21) Appl. No.: **29/291,582**

(22) Filed: **Sep. 6, 2007**

(51) **LOC (8) Cl.** ..... **10-04**

(52) **U.S. Cl.** ..... **D10/71**

(58) **Field of Classification Search** ..... D10/71;  
33/484-495

See application file for complete search history.

(56) **References Cited**

**U.S. PATENT DOCUMENTS**

D244,090	S *	4/1977	West	.....	D10/71
4,089,116	A *	5/1978	Bearinger	.....	33/485
6,305,093	B1 *	10/2001	Venola	.....	33/492
D495,264	S *	8/2004	Chudek et al.	.....	D10/71
6,782,629	B2 *	8/2004	Jimenez et al.	.....	33/483

\* cited by examiner

*Primary Examiner*—Antoine D Davis

(74) *Attorney, Agent, or Firm*—Alix, Yale & Ristas, LLP

(57) **CLAIM**

The ornamental design for a finger grip ruler, as shown and described.

**DESCRIPTION**

FIG. 1 is a top plan view of the finger grip ruler showing our new design;

FIG. 2 is a front elevational view thereof, the rear elevational view thereof being identical;

FIG. 3 is an enlarged left side view thereof, the right side view thereof being identical;

FIG. 4 is a top plan view of a second embodiment of the finger grip ruler;

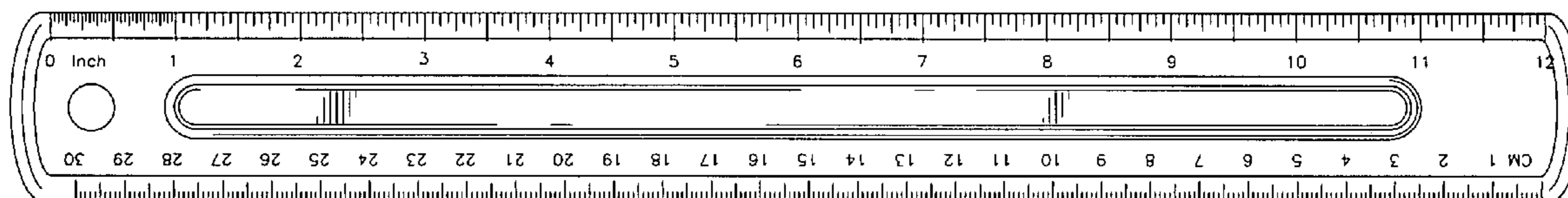
FIG. 5 is a front elevational view of the finger grip ruler of FIG. 4, the rear elevational view thereof being identical; and,

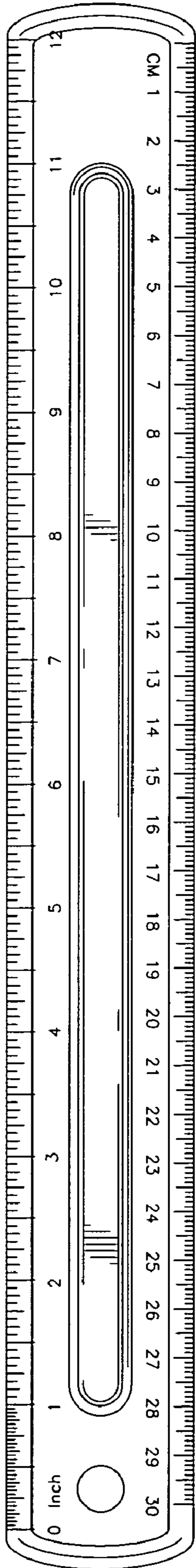
FIG. 6 is an enlarged left side view of the finger grip ruler of FIG. 4, the right side view thereof being identical.

No claim is made to the bottom plan view of either the ruler of FIGS. 1-3 or the ruler of FIGS. 4-6.

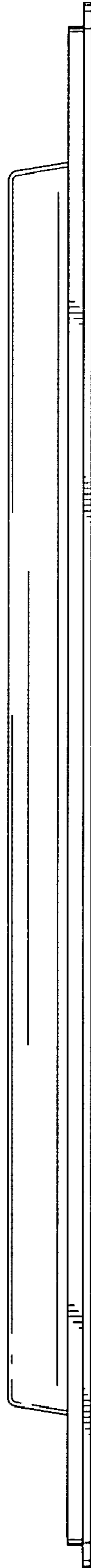
No claim is made to the measurement scales for the finger grip ruler of FIGS. 4-6.

**1 Claim, 2 Drawing Sheets**

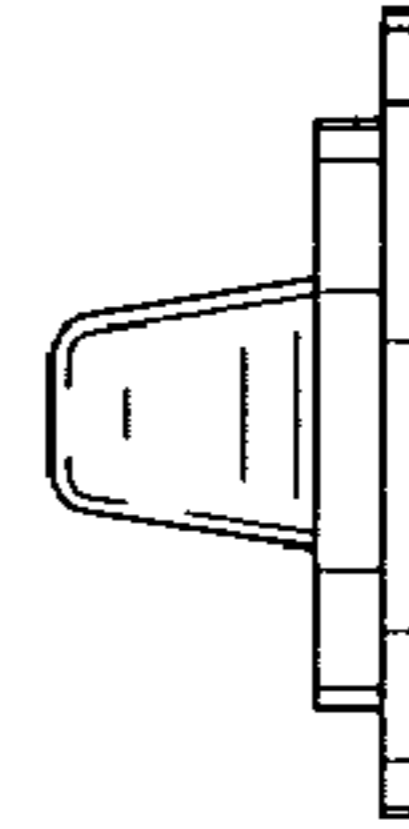




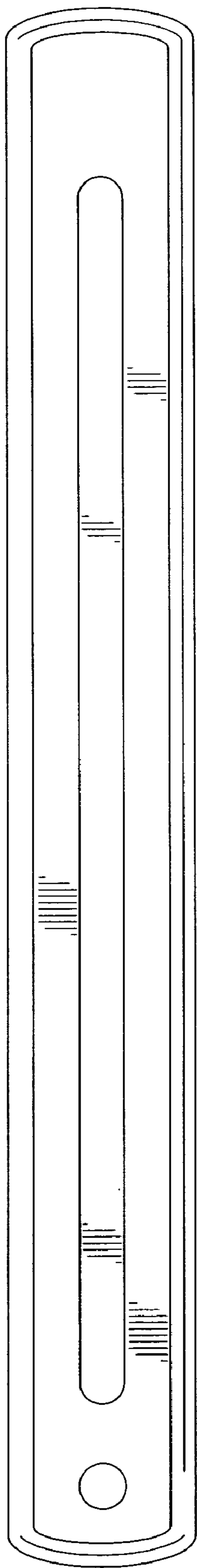
**FIG. 1**



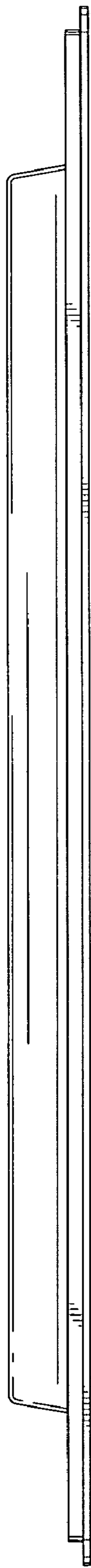
**FIG. 2**



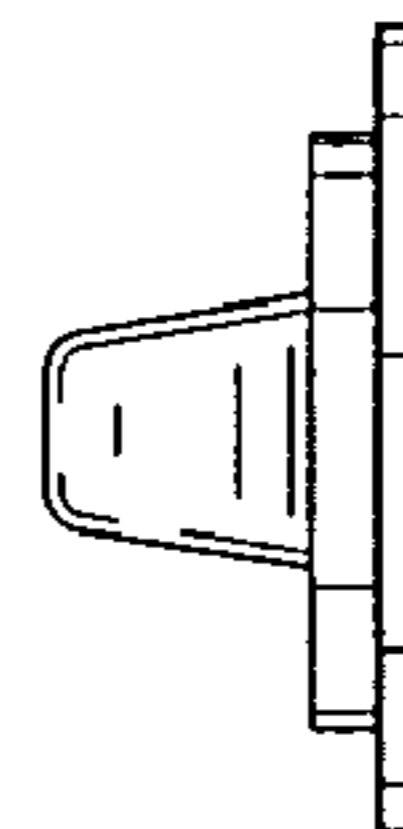
**FIG. 3**



**FIG. 4**



**FIG. 5**



**FIG. 6**