



US00D576505S

(12) **United States Design Patent**
Collins

(10) **Patent No.:** **US D576,505 S**

(45) **Date of Patent:** **** Sep. 9, 2008**

(54) **HOUSING FOR ACTIVITY MONITOR**

(75) Inventor: **John Collins**, Monrovia, CA (US)

(73) Assignee: **Stayhealthy, Inc.**, Monrovia, CA (US)

(**) Term: **14 Years**

(21) Appl. No.: **29/286,194**

(22) Filed: **Apr. 26, 2007**

(51) **LOC (8) Cl.** **10-04**

(52) **U.S. Cl.** **D10/70**

(58) **Field of Classification Search** D10/46,
D10/70, 97; 235/95 C, 105; 377/5, 24.2,
377/26; 702/144, 160, 176

See application file for complete search history.

(56) **References Cited**

U.S. PATENT DOCUMENTS

6,836,524 B1 * 12/2004 Lee 377/24.2
D537,004 S * 2/2007 Eden et al. D10/70

* cited by examiner

Primary Examiner—Antoine D Davis

(74) *Attorney, Agent, or Firm*—Wood, Phillips, Katz, Clark & Mortimer

(57) **CLAIM**

The ornamental design for a housing for activity monitor, as shown and described.

DESCRIPTION

FIG. 1 is a front, and bottom perspective view of my design for a housing for activity monitor;

FIG. 2 is a front elevation view thereof;

FIG. 3 is a rear elevation view thereof;

FIG. 4 is a left side elevation view thereof;

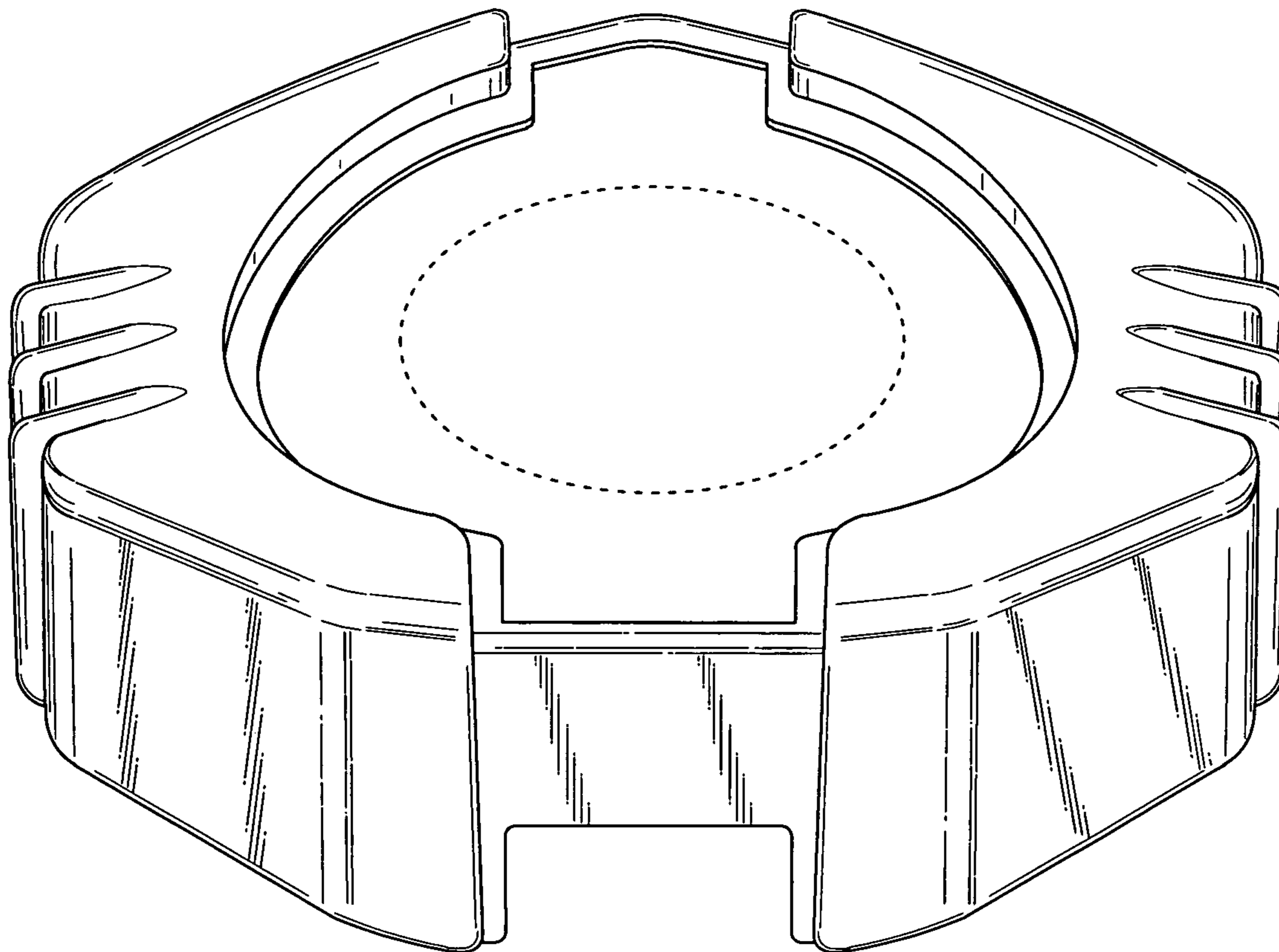
FIG. 5 is a right side elevation view thereof;

FIG. 6 is a top plan view thereof; and,

FIG. 7 is a bottom view thereof.

The portions of the housing for activity monitor shown in dotted lines do not constitute a part of the claimed design.

1 Claim, 4 Drawing Sheets



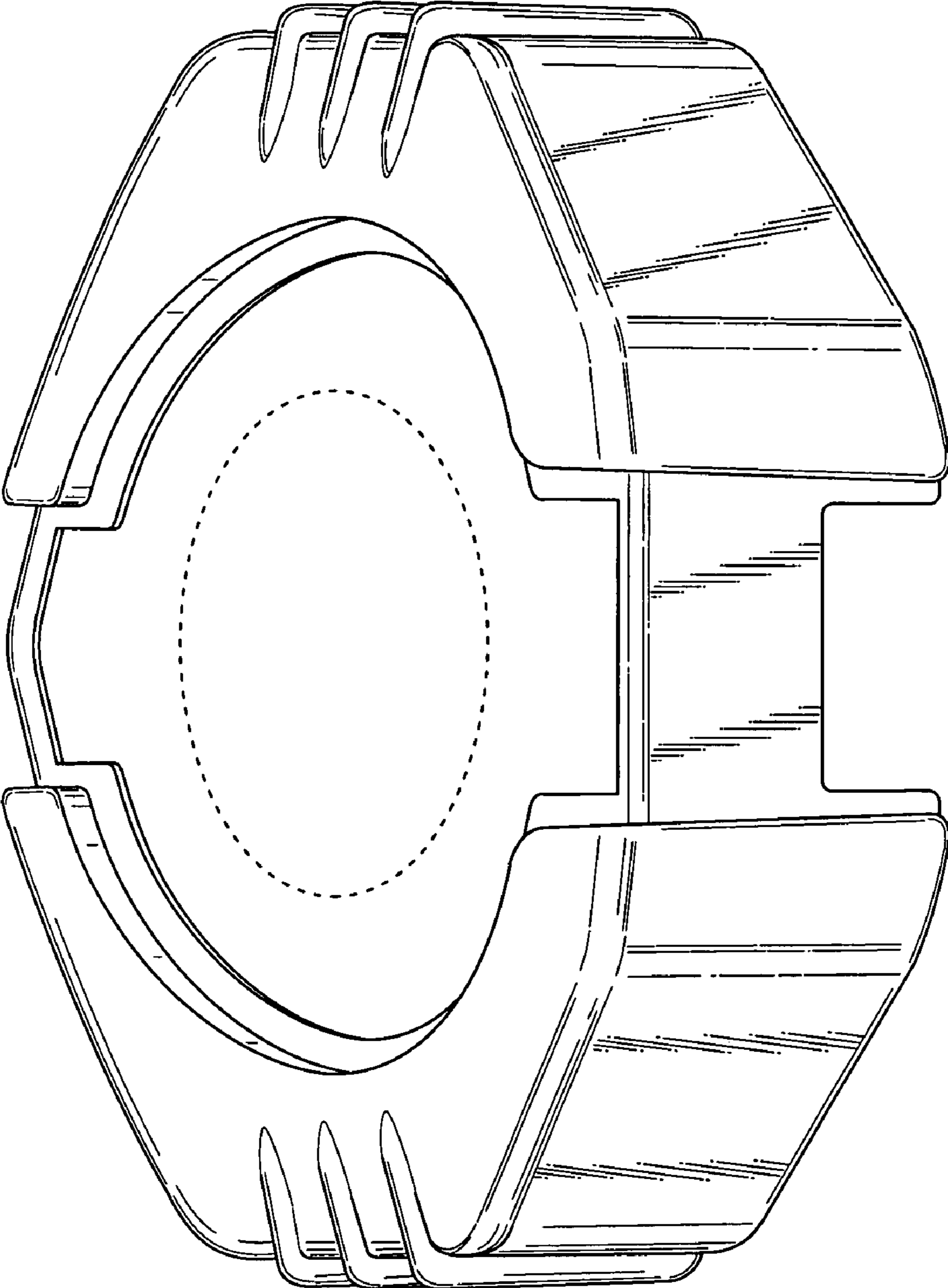


Fig. 1

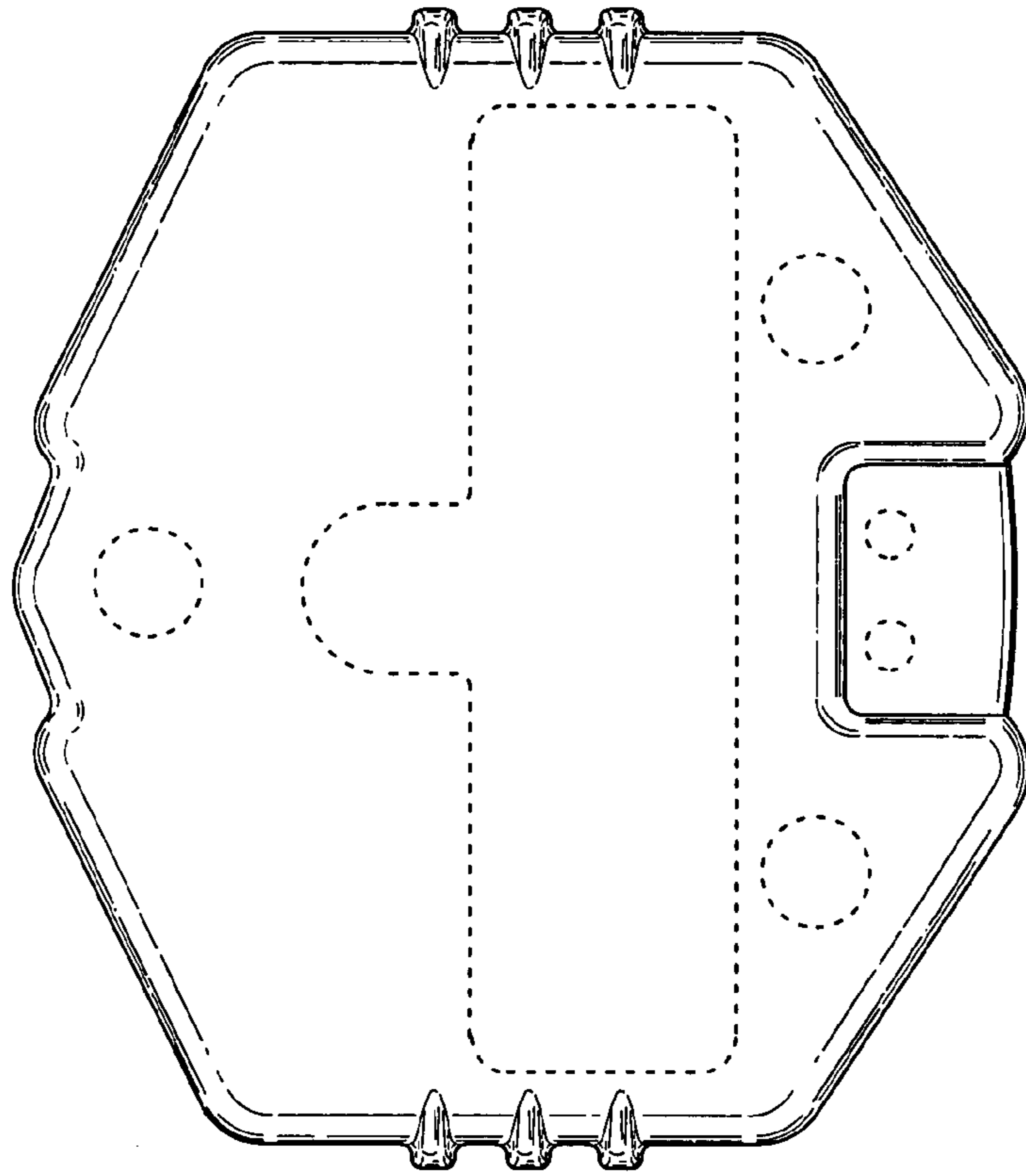


Fig. 3

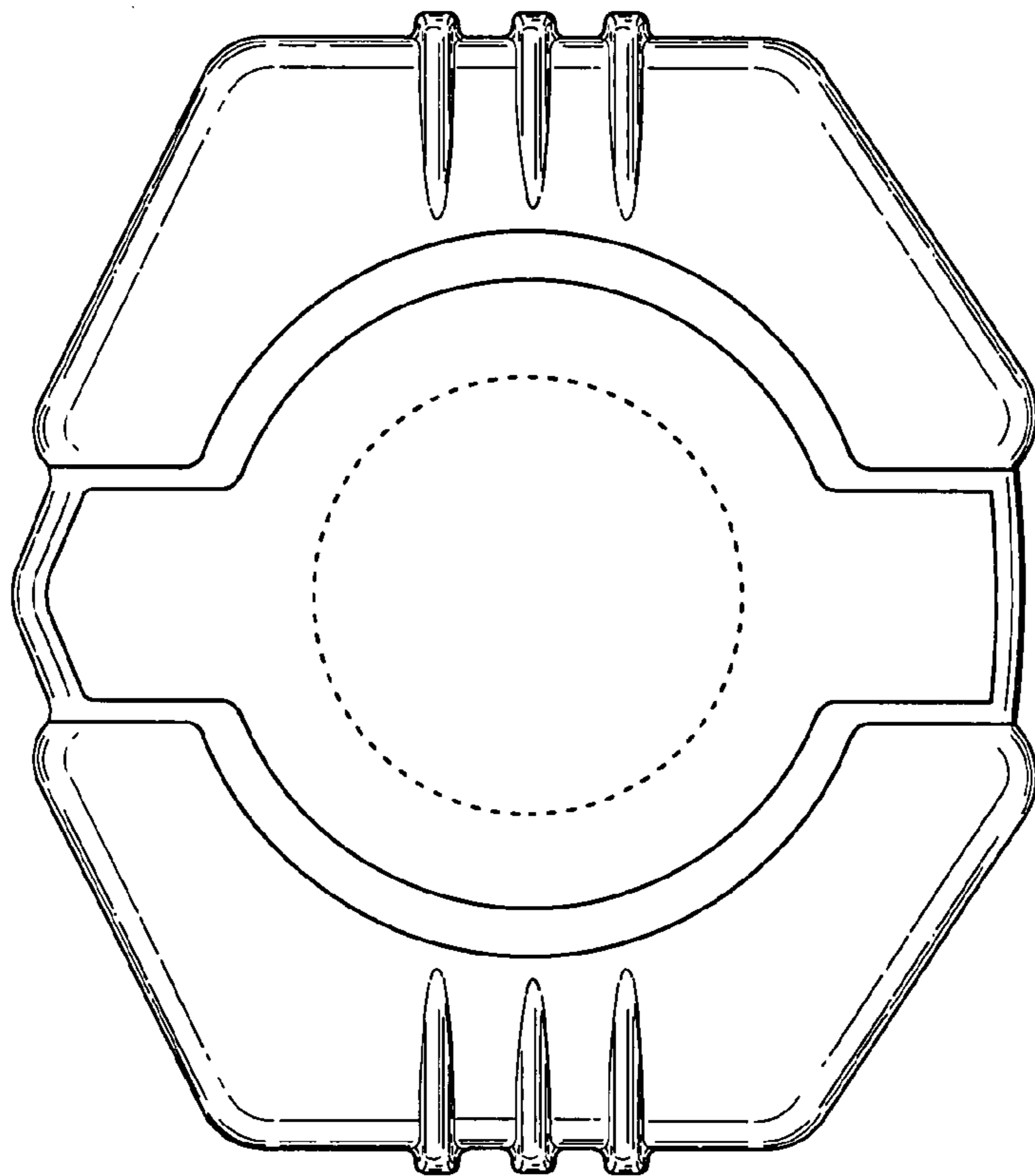


Fig. 2

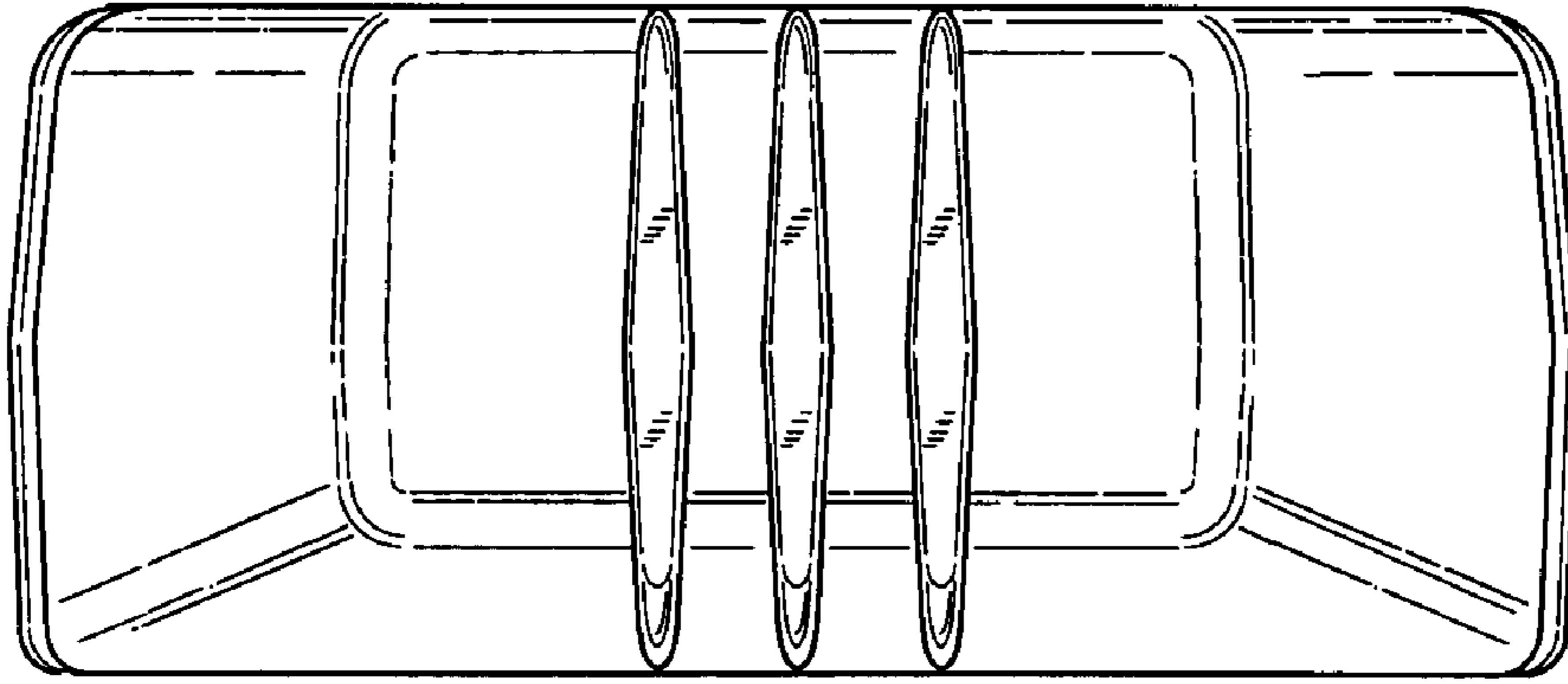


Fig. 5

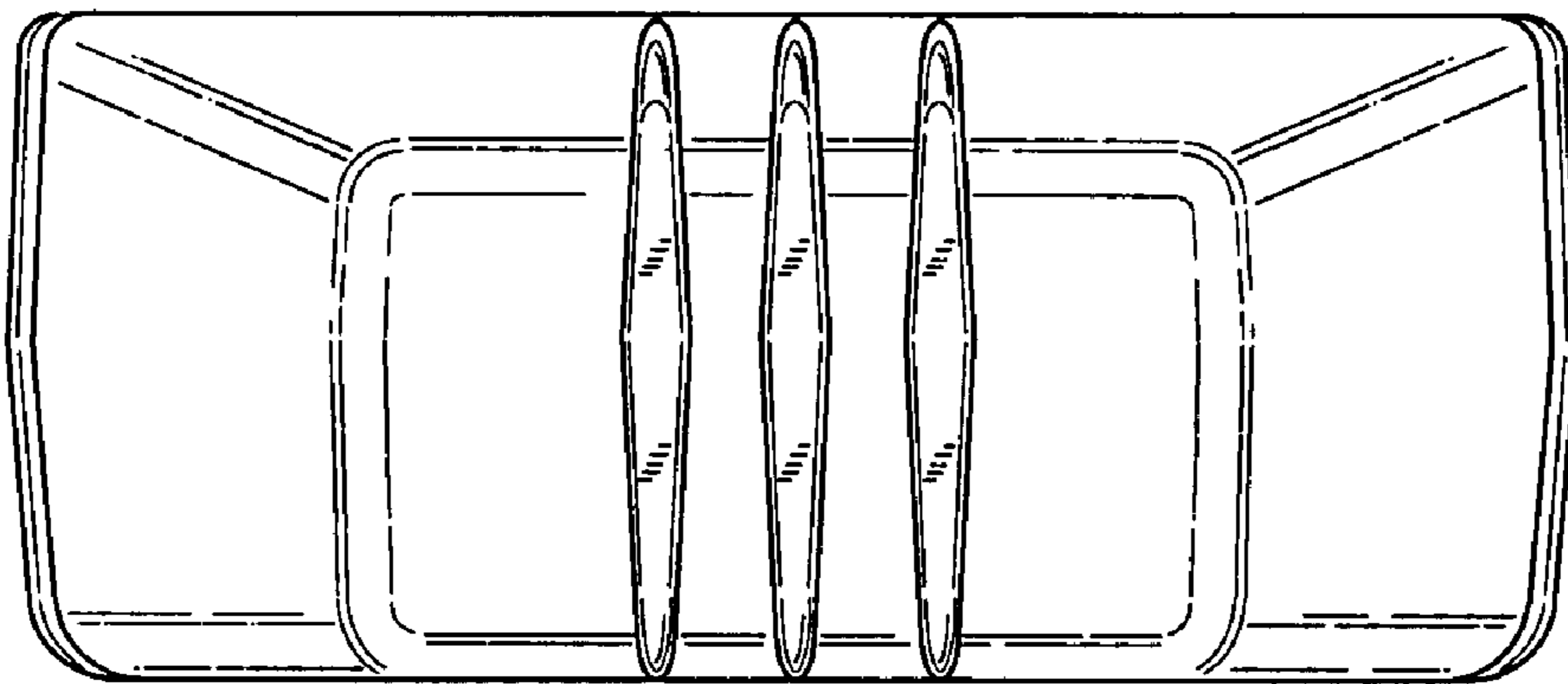


Fig. 4

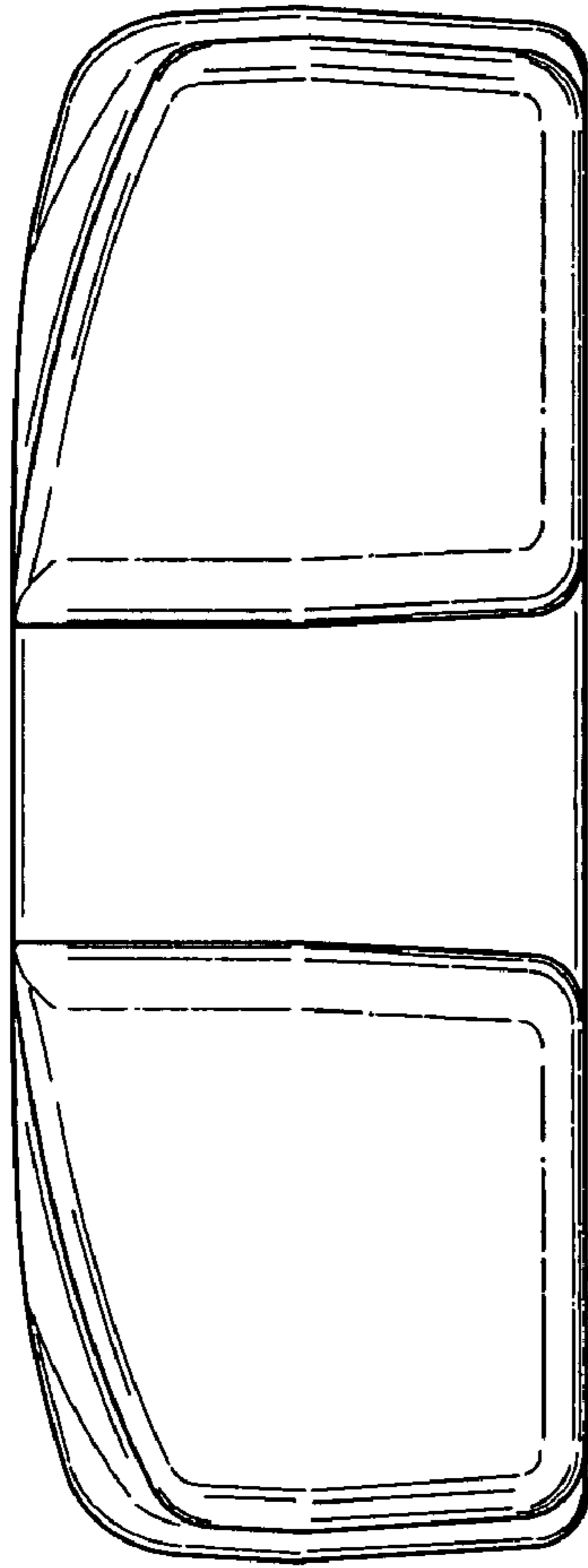


Fig. 6

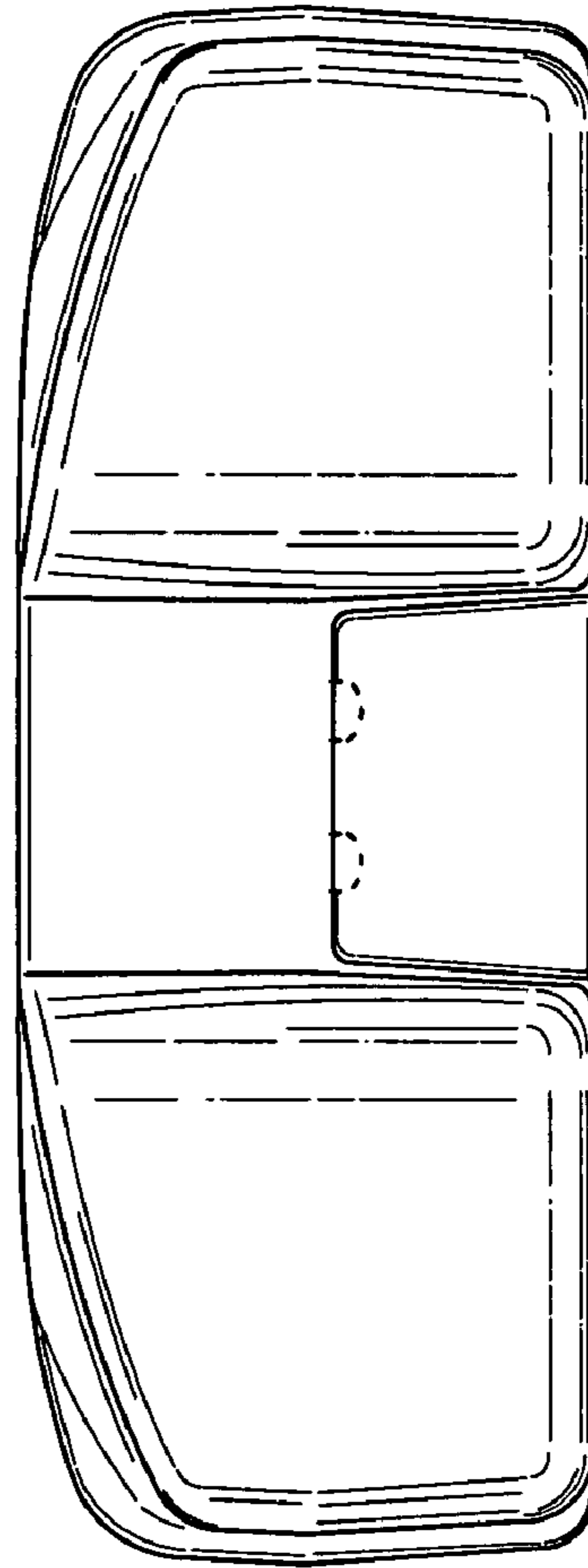


Fig. 7