



US00D576504S

(12) **United States Design Patent**  
**Rider**

(10) **Patent No.:** **US D576,504 S**

(45) **Date of Patent:** **\*\* Sep. 9, 2008**

(54) **MODULAR ROOF SEAM PROFILE GAUGE**

(76) **Inventor:** **Terry Rider**, 915 Highway 45, Corinth, MS (US) 38834

(\*\*) **Term:** **14 Years**

(21) **Appl. No.:** **29/296,923**

(22) **Filed:** **Oct. 31, 2007**

(51) **LOC (8) Cl.** ..... **10-04**

(52) **U.S. Cl.** ..... **D10/65; D10/64**

(58) **Field of Classification Search** ..... D10/64-65;  
33/501.05-501.45, 567, 567.1, 562-563;  
52/465, 466, 468, 404, 519, 520, 542, 530,  
52/395, 469

See application file for complete search history.

(56) **References Cited**

**U.S. PATENT DOCUMENTS**

- D31,837 S \* 11/1899 Thomas ..... D10/64
- 1,057,954 A \* 4/1913 Poulon ..... 33/501.3
- 1,279,645 A \* 9/1918 Bryant ..... 33/562
- 3,287,813 A \* 11/1966 Lennon et al. .... 33/562

- 3,380,172 A \* 4/1968 Baumbach ..... 33/613
- D251,059 S \* 2/1979 Montell ..... D10/64
- 4,476,658 A \* 10/1984 Johnstone ..... 52/395
- 5,163,231 A \* 11/1992 Craig ..... 33/501.45

\* cited by examiner

*Primary Examiner*—Antoine D Davis

(74) *Attorney, Agent, or Firm*—Wyatt, Tarrant & Combs, LLP

(57) **CLAIM**

The ornamental design for a modular roof seam profile gauge, as shown and described.

**DESCRIPTION**

FIG. 1 is a perspective view showing a new design for a modular roof seam profile gauge.

FIG. 2 is a front view thereof;

FIG. 3 is a bottom view thereof;

FIG. 4 is a top view thereof; and,

FIG. 5 is a right side view thereof, the left side being a mirror image thereof.

**1 Claim, 1 Drawing Sheet**

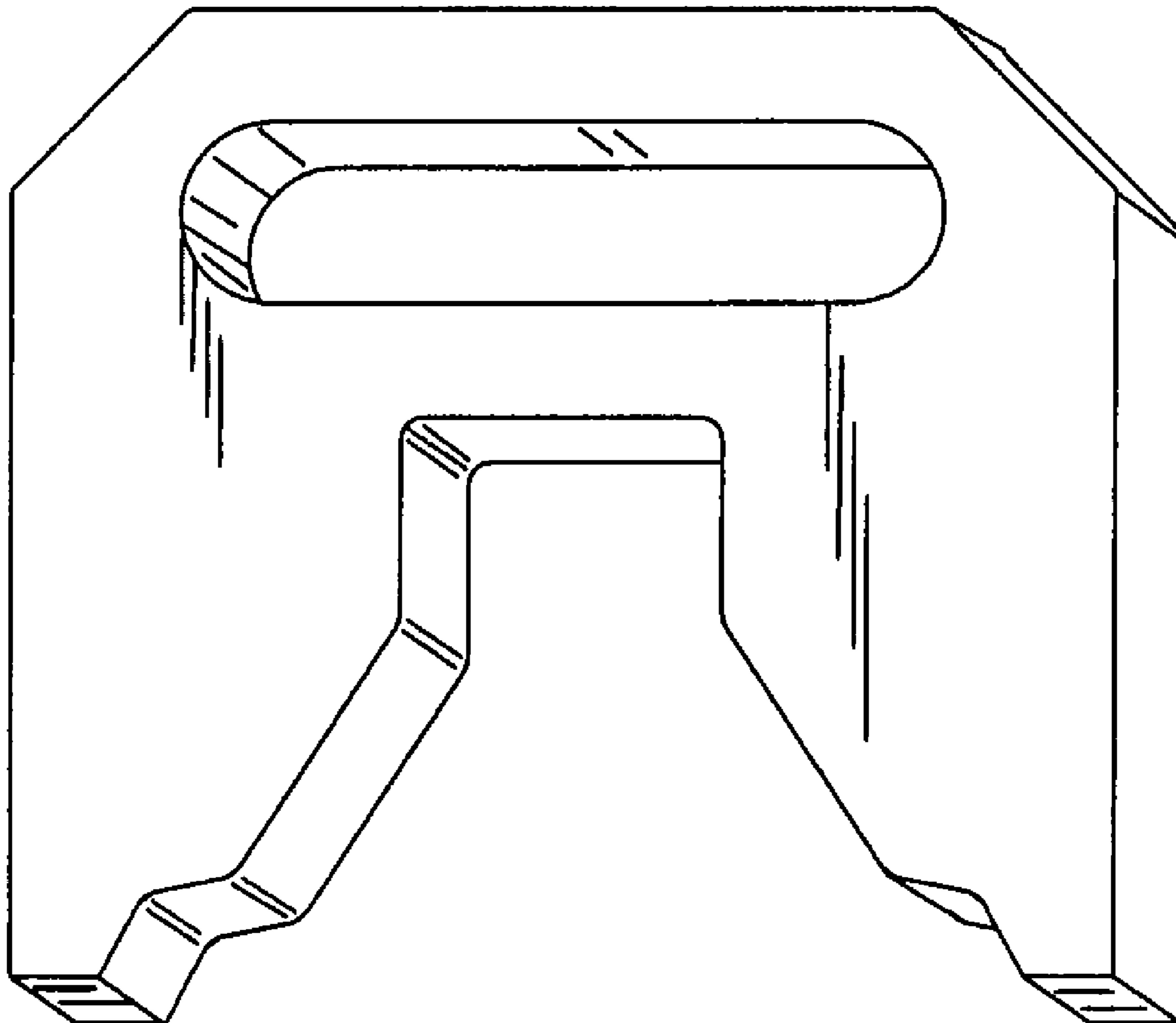


FIG. 1

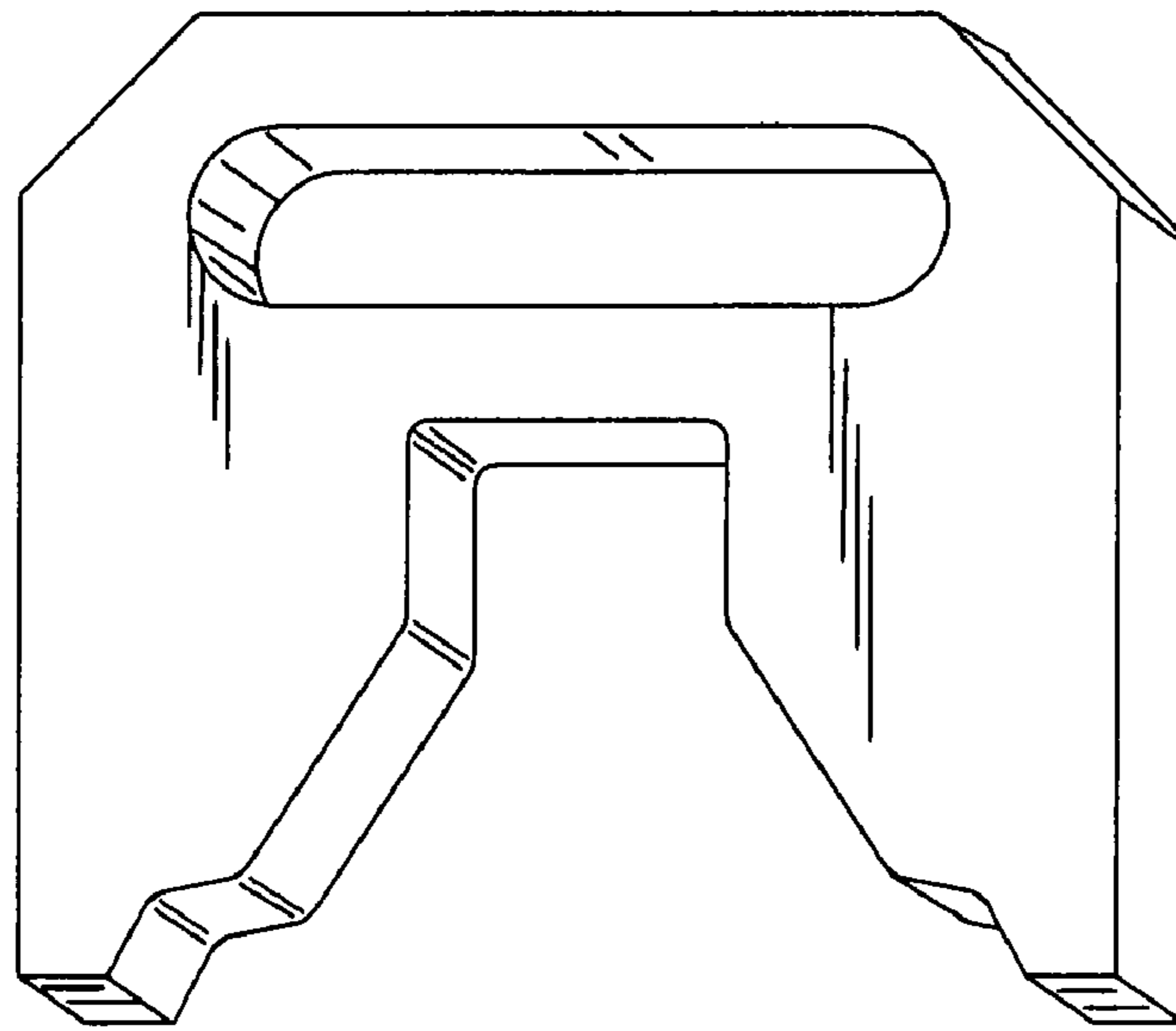


FIG. 4

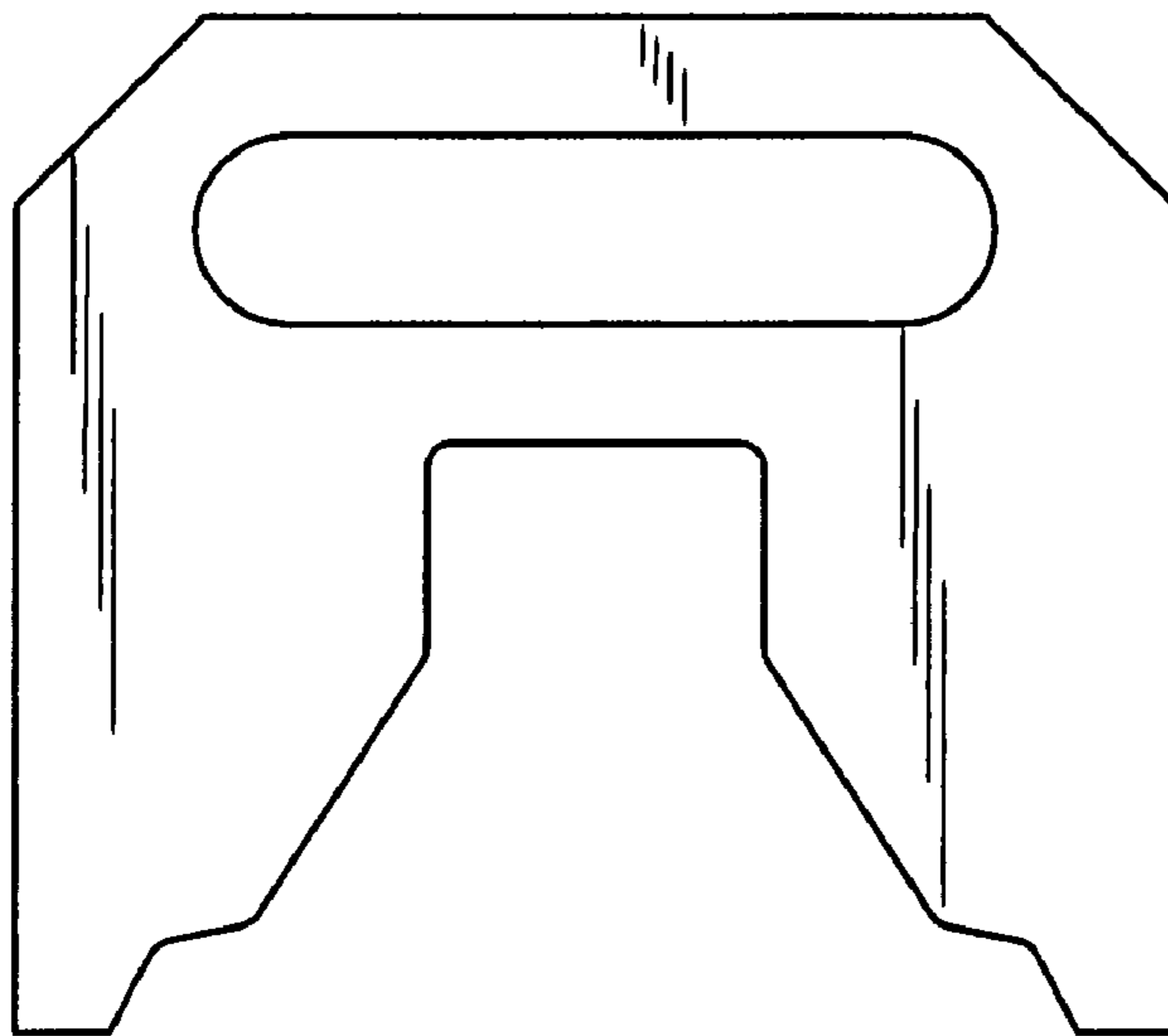


FIG. 2



FIG. 5



FIG. 3