



US00D576503S

(12) **United States Design Patent**
Park

(10) **Patent No.:** **US D576,503 S**

(45) **Date of Patent:** **** Sep. 9, 2008**

(54) **NAVIGATION SYSTEM**

(75) **Inventor:** **Sung-Won Park**, Seoul (KR)

(73) **Assignee:** **Samsung Electronics Co., Ltd.**,
Suwon-Si (KR)

(**) **Term:** **14 Years**

(21) **Appl. No.:** **29/290,714**

(22) **Filed:** **Jan. 4, 2008**

(51) **LOC (8) Cl.** **10-04**

(52) **U.S. Cl.** **D10/65**

(58) **Field of Classification Search** D10/65,
D10/70; D14/347; 342/351, 419, 457, 357.06–357.16;
343/702; 345/87, 104, 133, 156, 168, 173,
345/901–905; 348/180, 184, 315, 739; 364/444,
364/499; 701/206–209, 213–214
See application file for complete search history.

(56) **References Cited**

U.S. PATENT DOCUMENTS

D506,937 S *	7/2005	Lee et al.	D10/65
D515,441 S *	2/2006	Shindo	D10/65
D540,203 S *	4/2007	Jeon	D10/65
D541,682 S *	5/2007	Uno	D10/65
D543,876 S *	6/2007	Kalis et al.	D10/65

7,236,159 B1 *	6/2007	Siversson	345/173
7,262,761 B1 *	8/2007	Duarte et al.	345/168
7,310,050 B2 *	12/2007	Yeh	340/815.83
D558,619 S *	1/2008	Bloem	D10/65
D561,616 S *	2/2008	Park et al.	D10/65
D561,619 S *	2/2008	Miyawaki	D10/65
D563,245 S *	3/2008	Deboves et al.	D10/65

* cited by examiner

Primary Examiner—Antoine D Davis

(74) *Attorney, Agent, or Firm*—Staas & Halsey LLP

(57) **CLAIM**

The ornamental design for a navigation system, as shown and described.

DESCRIPTION

FIG. 1 is a perspective view of a navigation system according to my new design;

FIG. 2 is a front elevational view thereof;

FIG. 3 is a rear elevational view thereof;

FIG. 4 is a left side elevational view thereof;

FIG. 5 is a right side elevational view thereof;

FIG. 6 is a top plan view thereof; and,

FIG. 7 is a bottom plan view thereof.

1 Claim, 5 Drawing Sheets

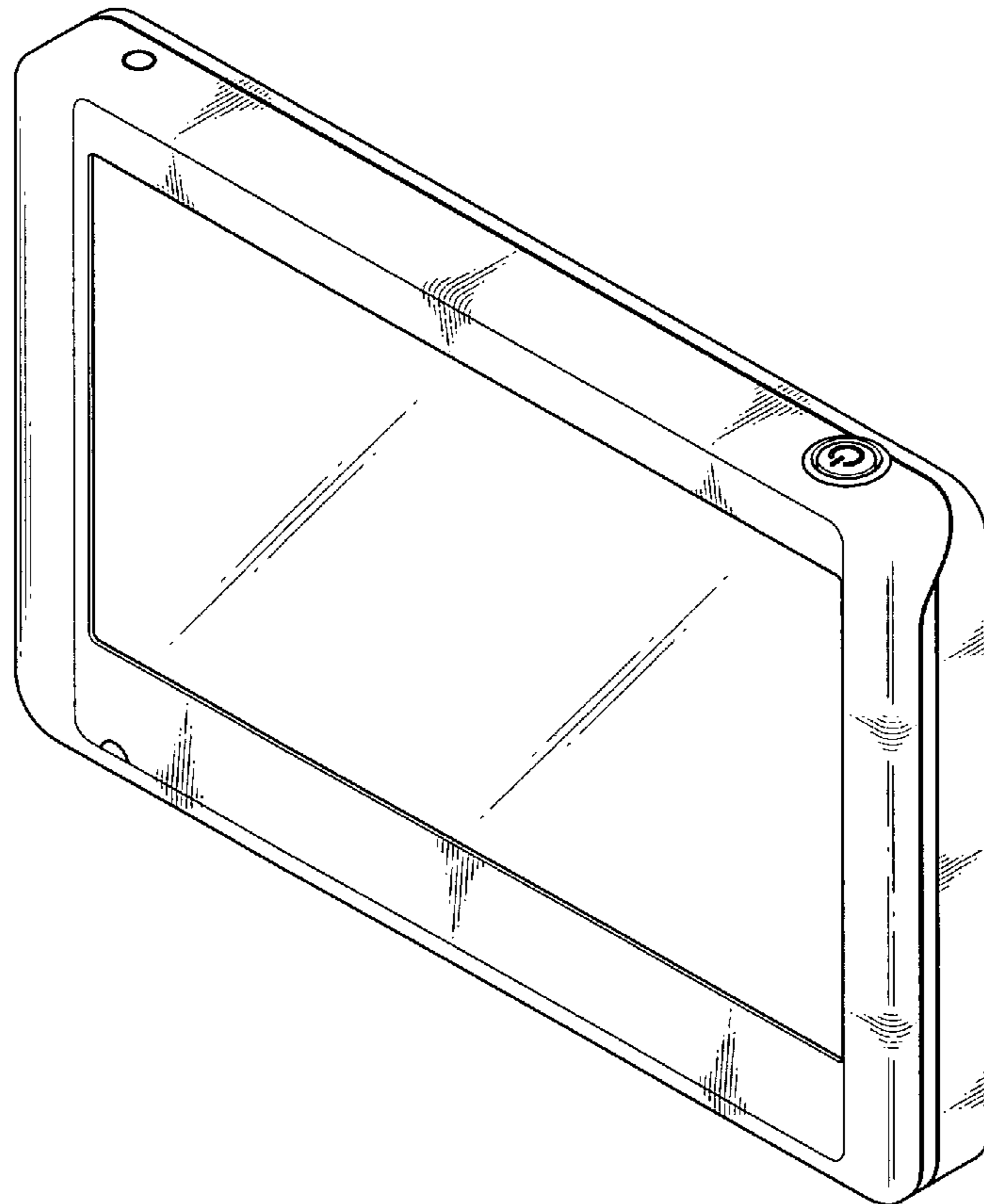


FIG.1

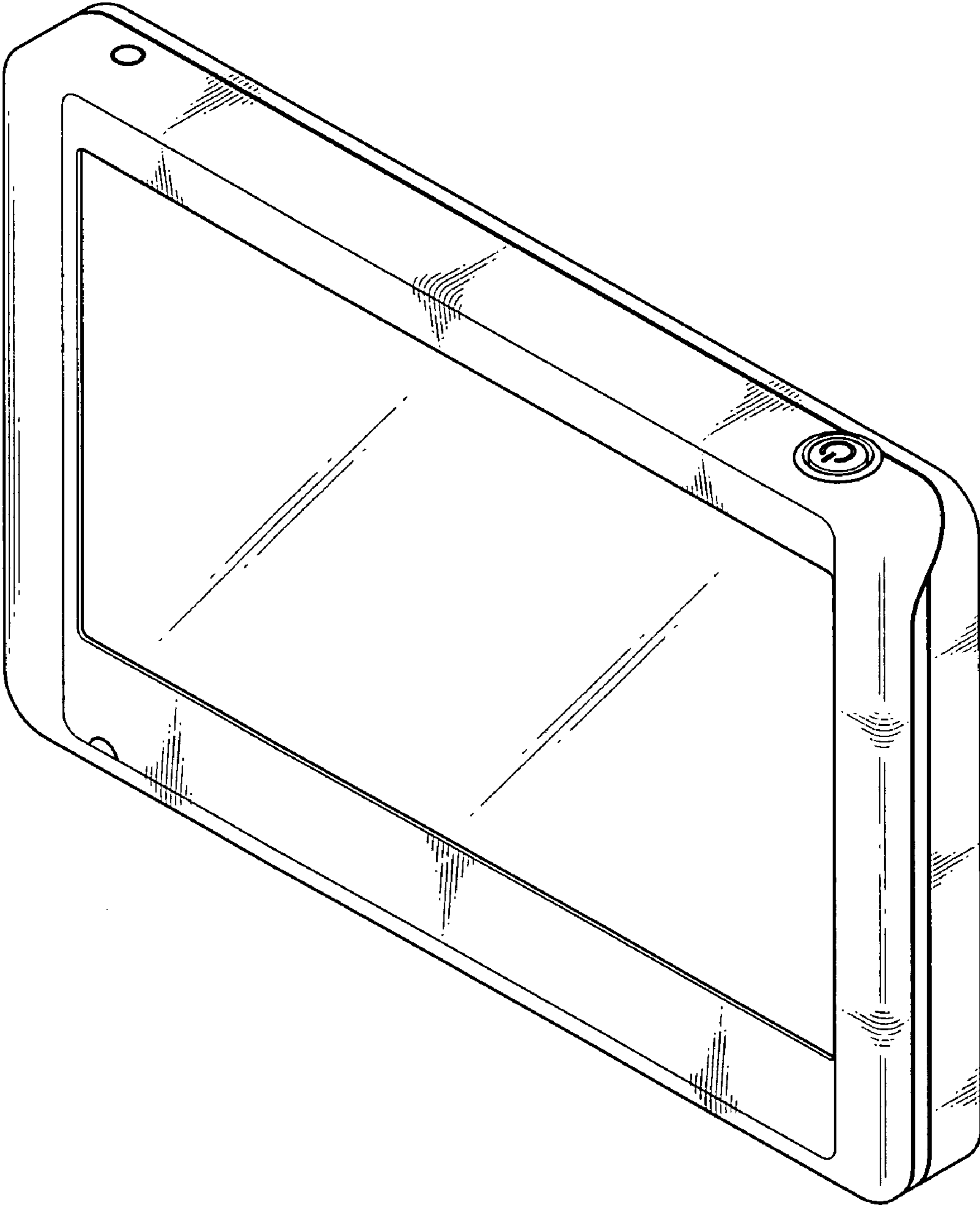


FIG.2

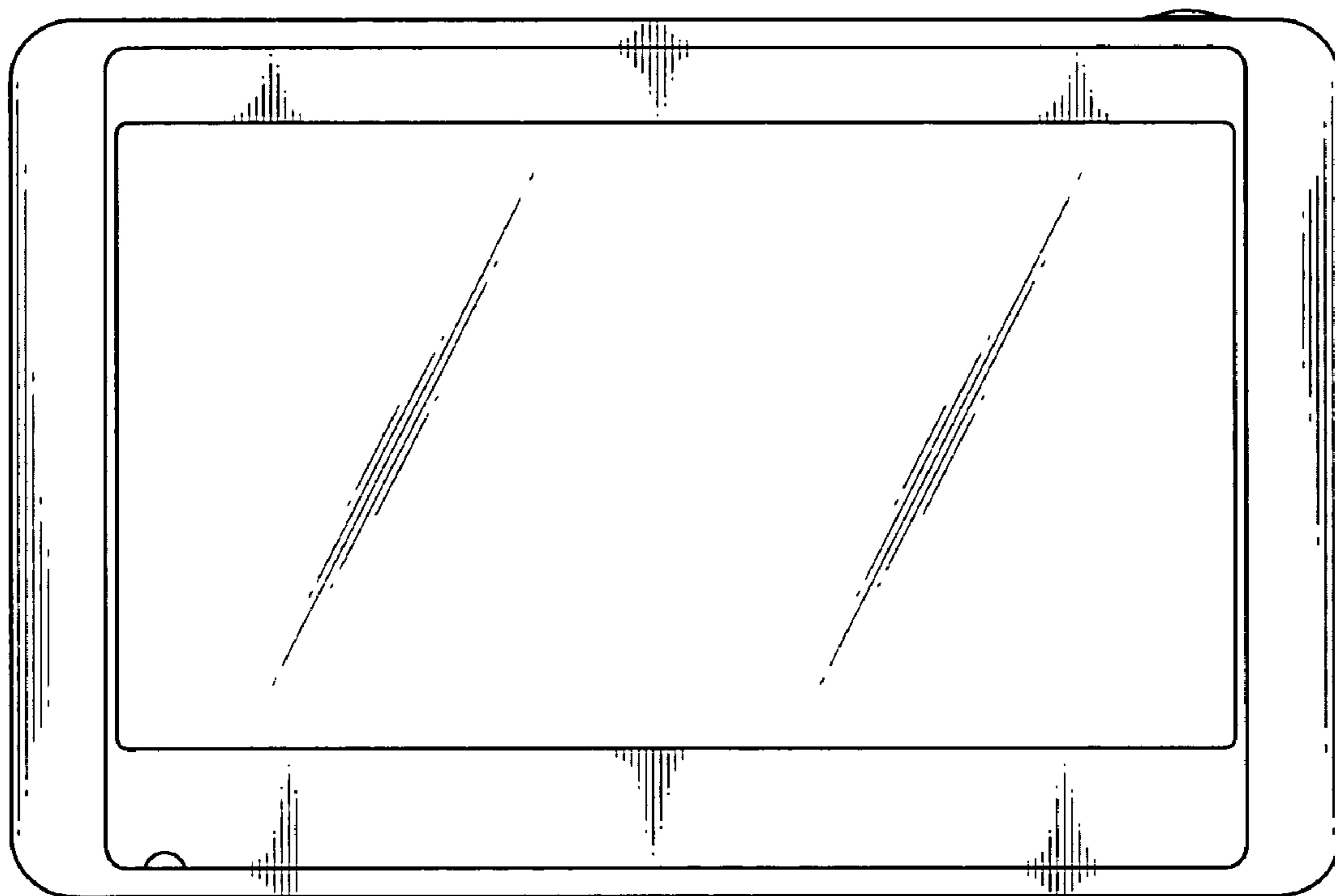


FIG.3

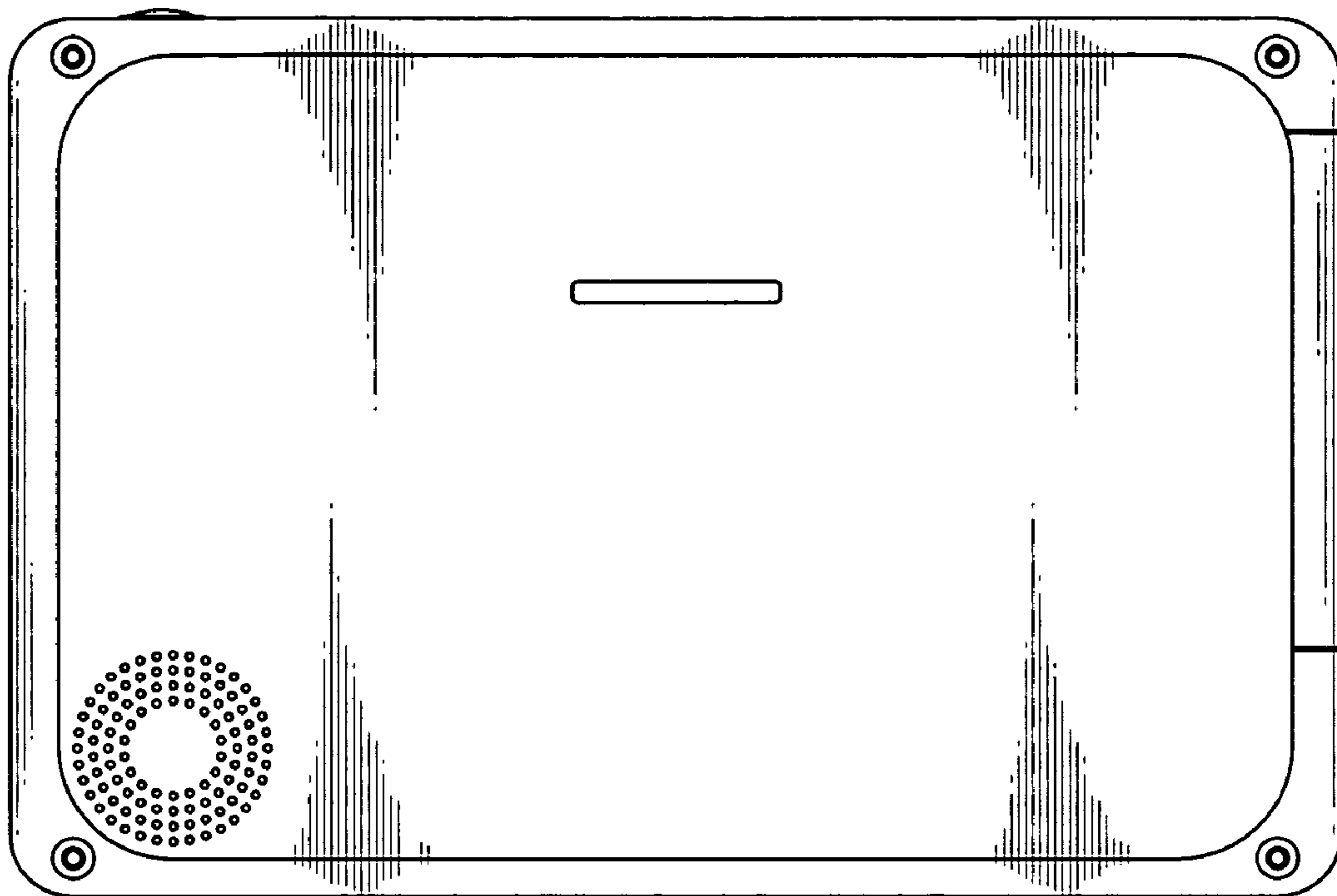


FIG.4

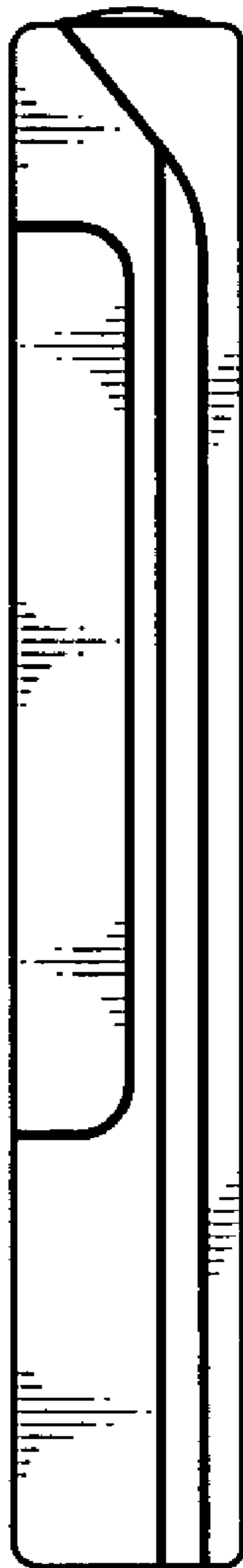


FIG.5

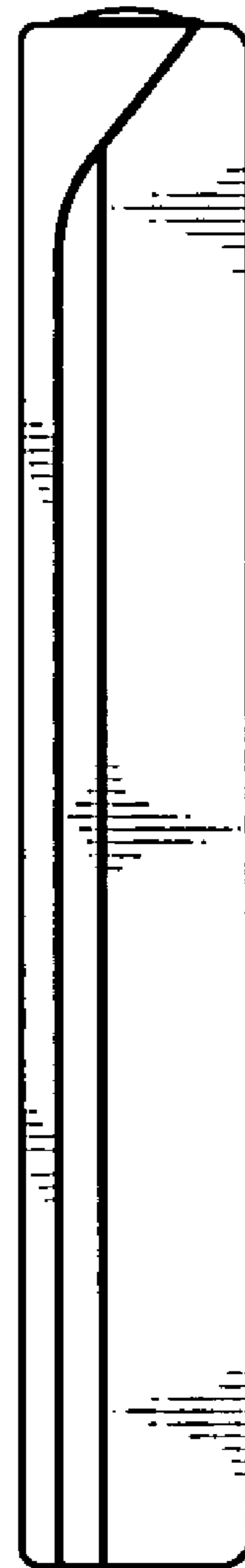


FIG.6

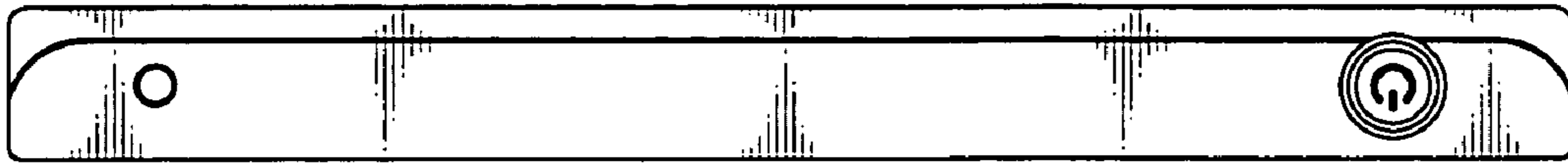


FIG.7

