



US00D576502S

(12) **United States Design Patent**
Sauvage

(10) **Patent No.:** **US D576,502 S**
(45) **Date of Patent:** **** Sep. 9, 2008**

(54) **TRAVEL WEATHER STATION**

2006/0095210 A1* 5/2006 Chan 73/170.16

(75) Inventor: **Sebastien Gwenael Sauvage**, Tseung
Kwan O (HK)

* cited by examiner

(73) Assignee: **Oneworld Global Manufacturing**
Solutions Limited, Kowloon Bay (HK)

Primary Examiner—Antoine D Davis

(74) *Attorney, Agent, or Firm*—Buchanan Ingersoll &
Rooney PC

(**) Term: **14 Years**

(57) **CLAIM**

(21) Appl. No.: **29/287,355**

The ornamental design for an travel weather station, as shown
and described.

(22) Filed: **Jul. 27, 2007**

(30) **Foreign Application Priority Data**

DESCRIPTION

Jan. 29, 2007 (HK) 0700253

FIGS. 1–5 are perspective views of a travel weather station
showing my new design in a first configuration;

(51) **LOC (8) Cl.** **10-04**

FIG. 6 is a front view thereof in an alternate configuration;

(52) **U.S. Cl.** **D10/53**

FIG. 7 is a back view thereof;

(58) **Field of Classification Search** D10/53;

FIG. 8 is a top view thereof;

68/10; 73/170.16; 368/10, 73, 223, 251,

FIG. 9 is a bottom view thereof;

368/63, 82.11; 340/539, 601; 374/162, 201,

FIG. 10 is a right side view thereof; and,

374/202, 208, 209

FIG. 11 is a left side view thereof.

See application file for complete search history.

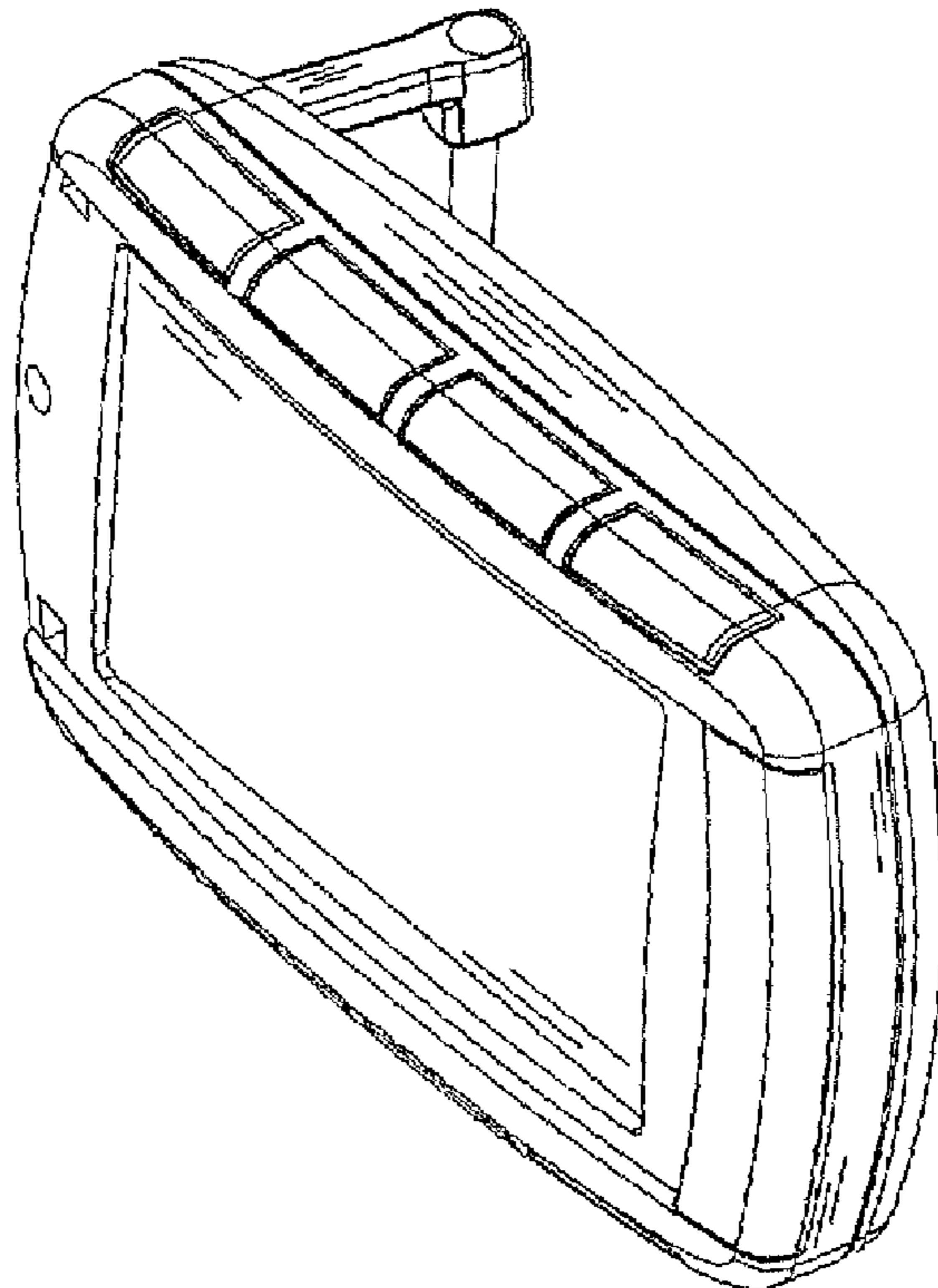
The claimed design is shown in a condition of use in FIG. 2.

(56) **References Cited**

1 Claim, 4 Drawing Sheets

U.S. PATENT DOCUMENTS

D532,709 S * 11/2006 McCormick D10/53



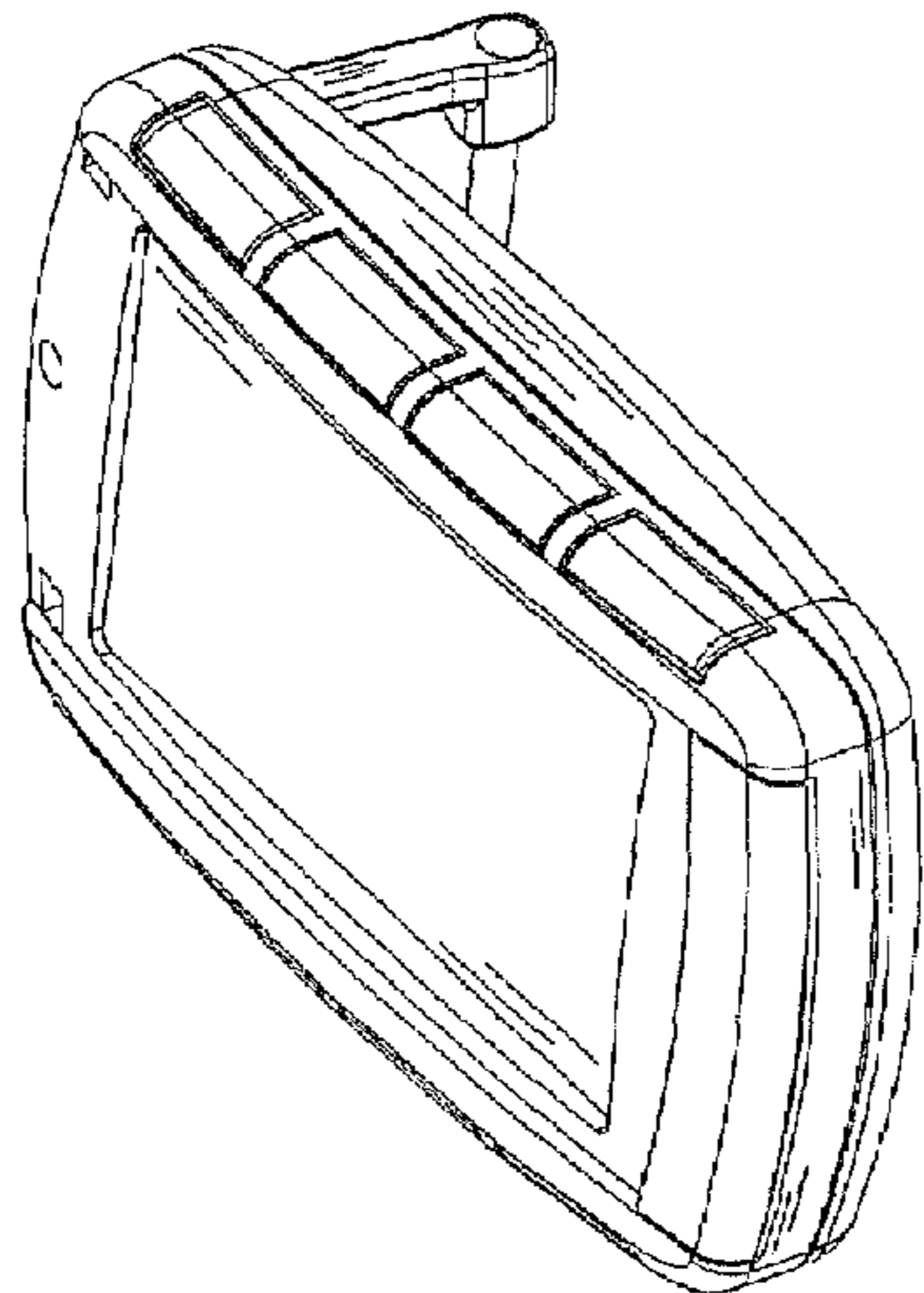


FIG. 1

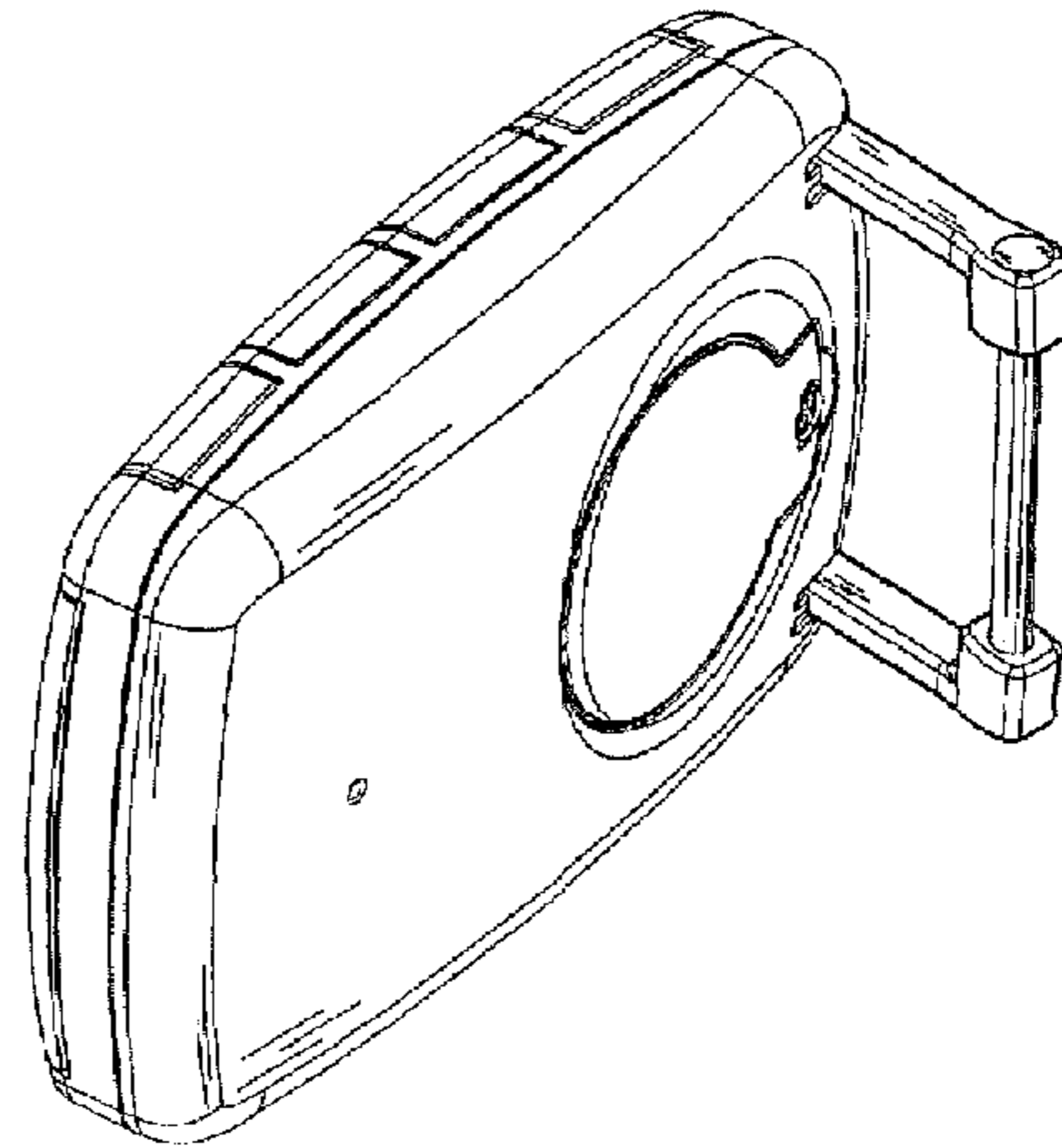


FIG. 2

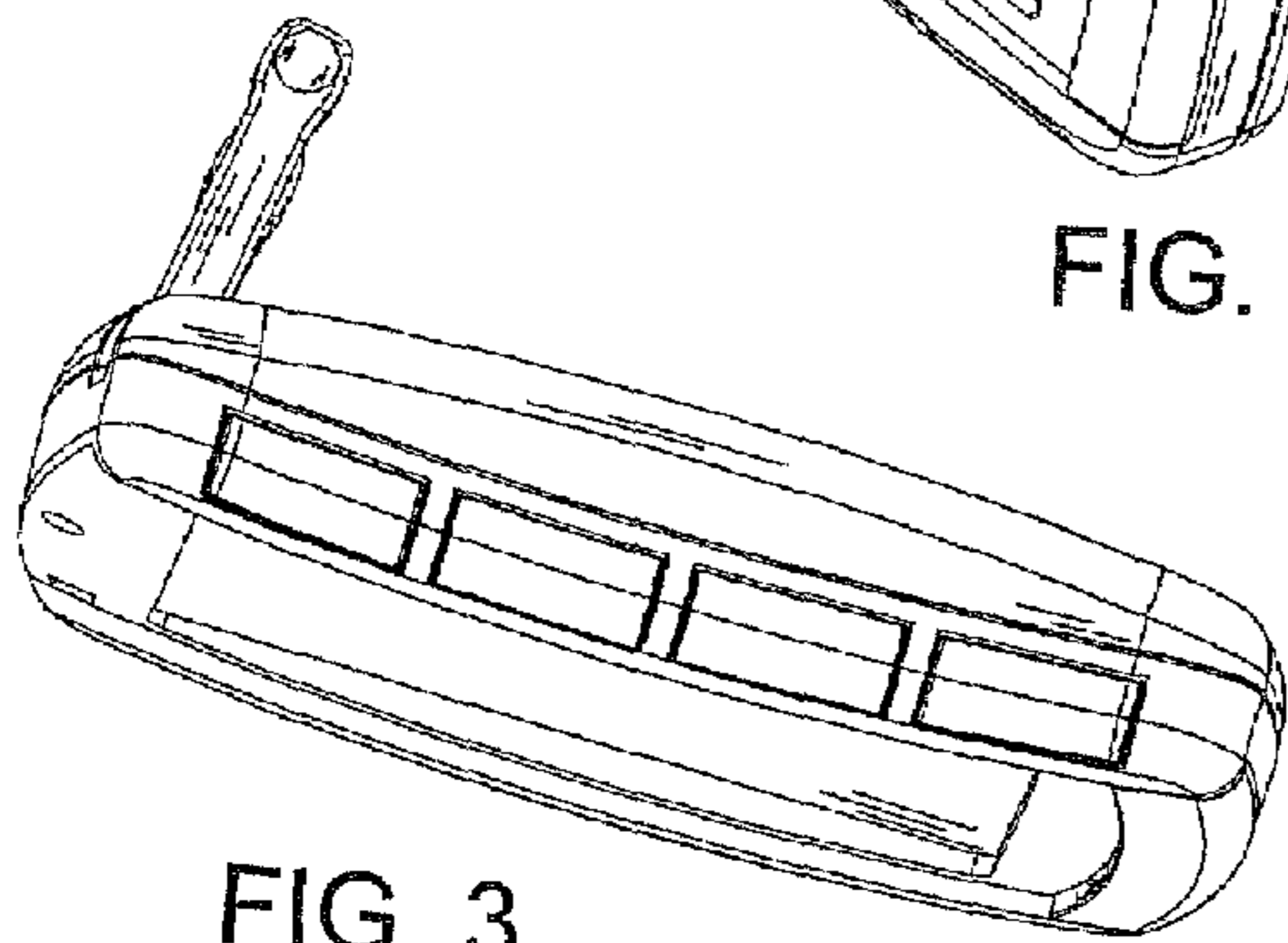


FIG. 3

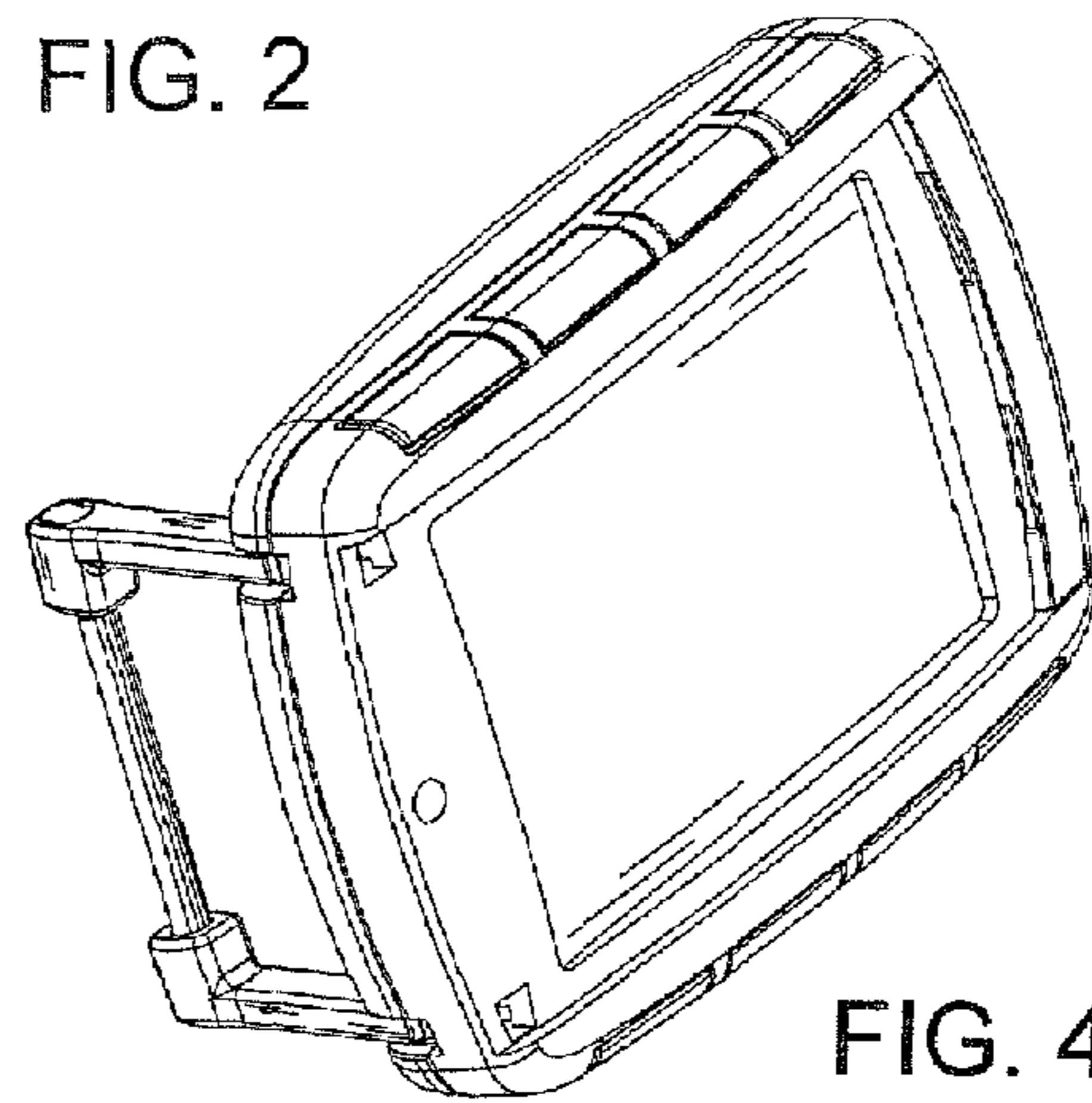


FIG. 4

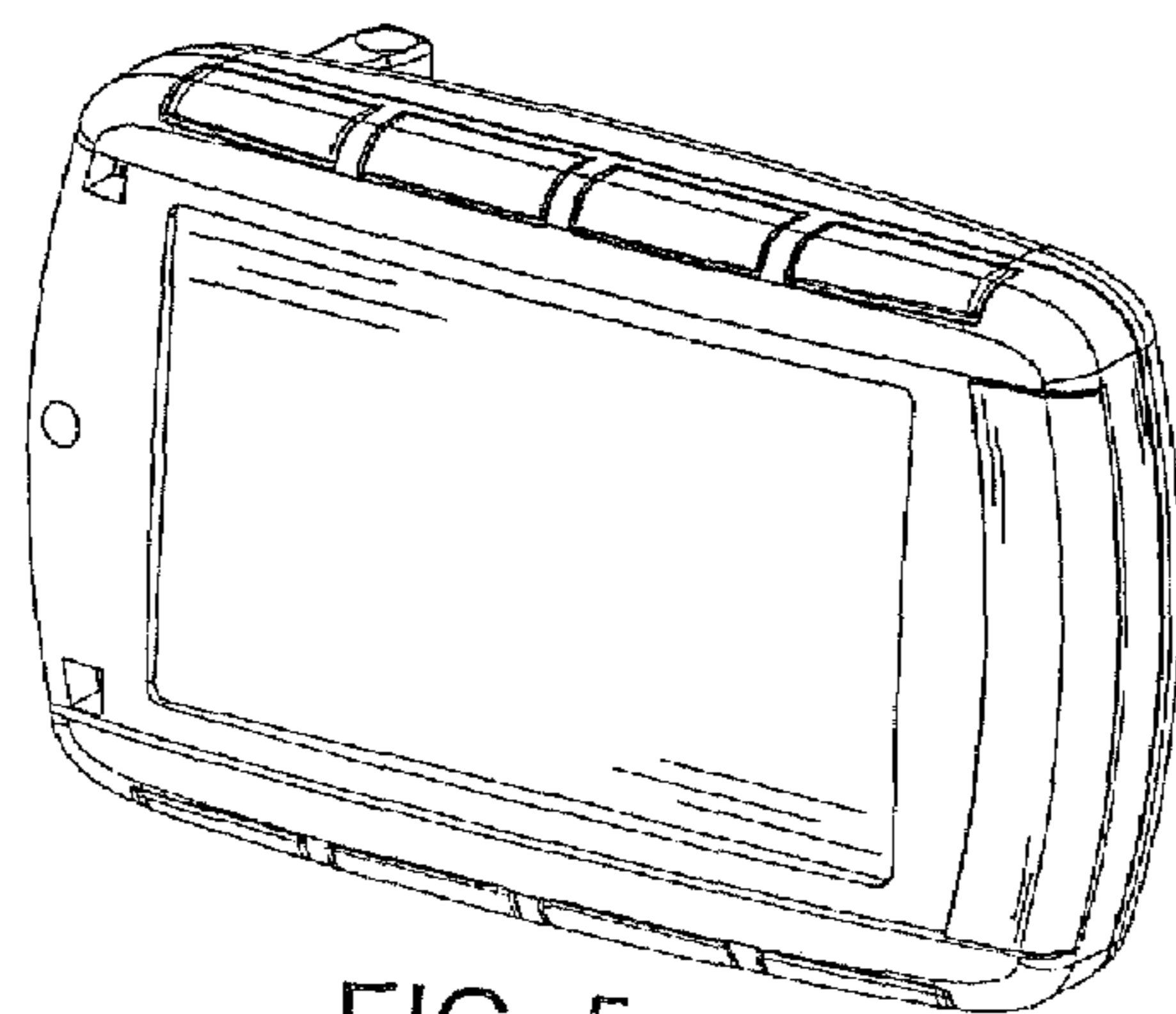


FIG. 5

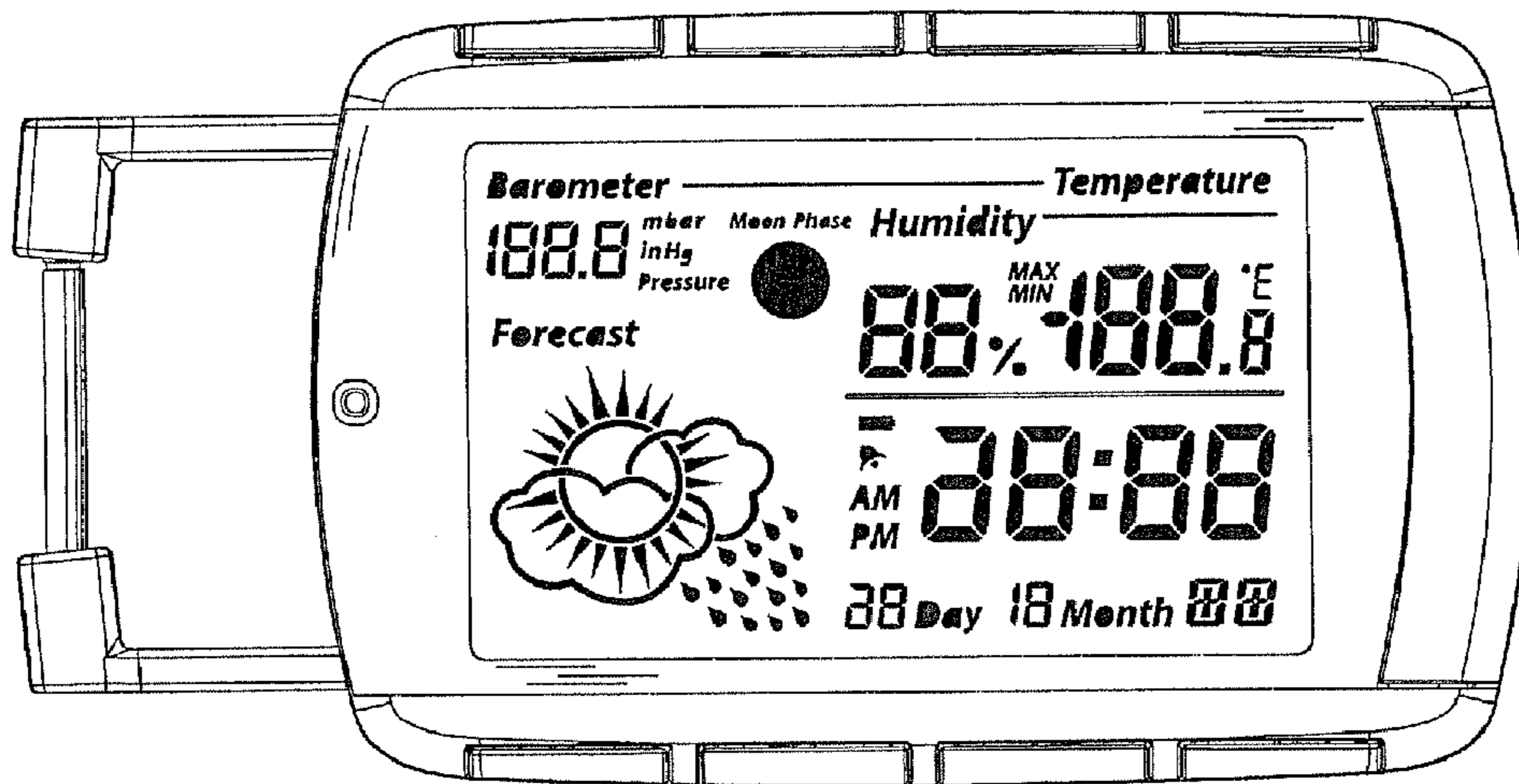


FIG. 6

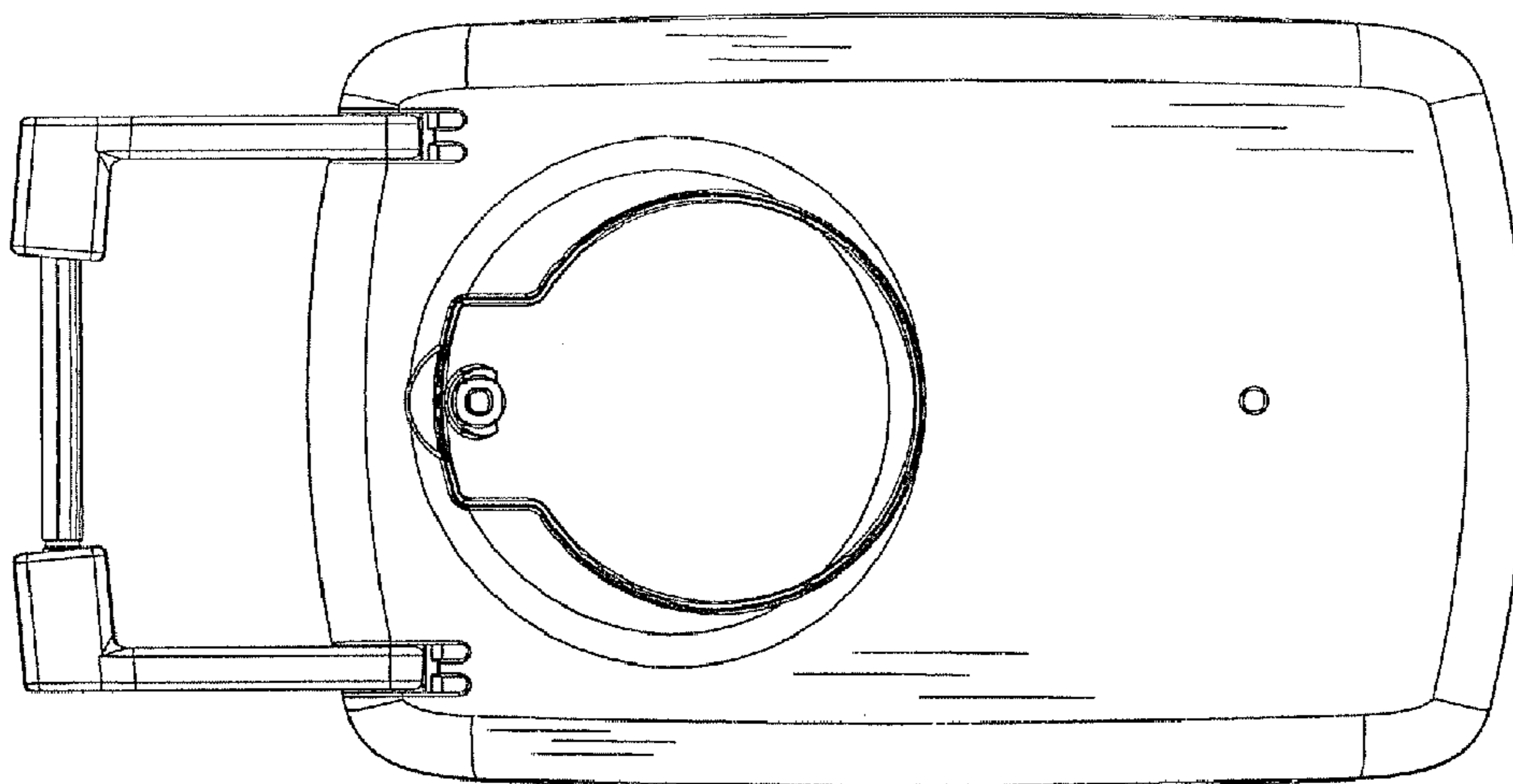


FIG. 7

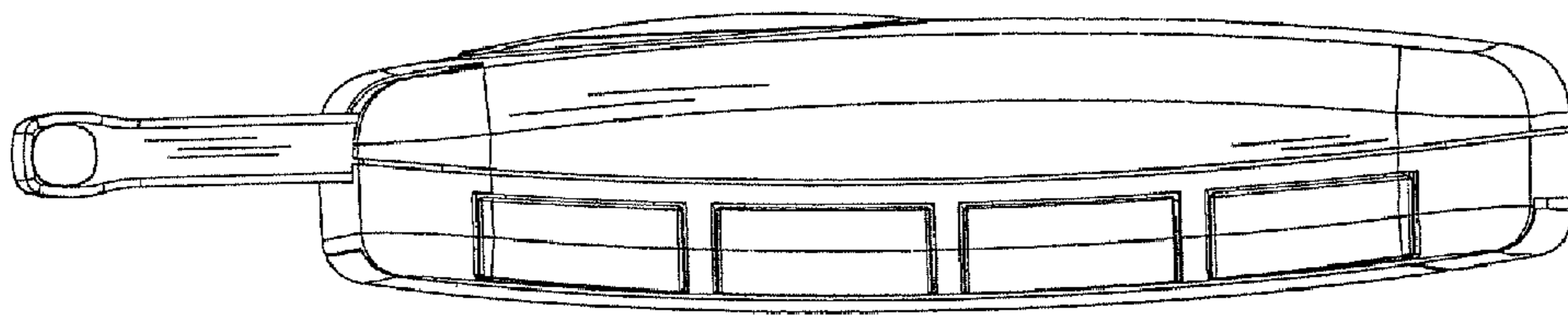


FIG. 8

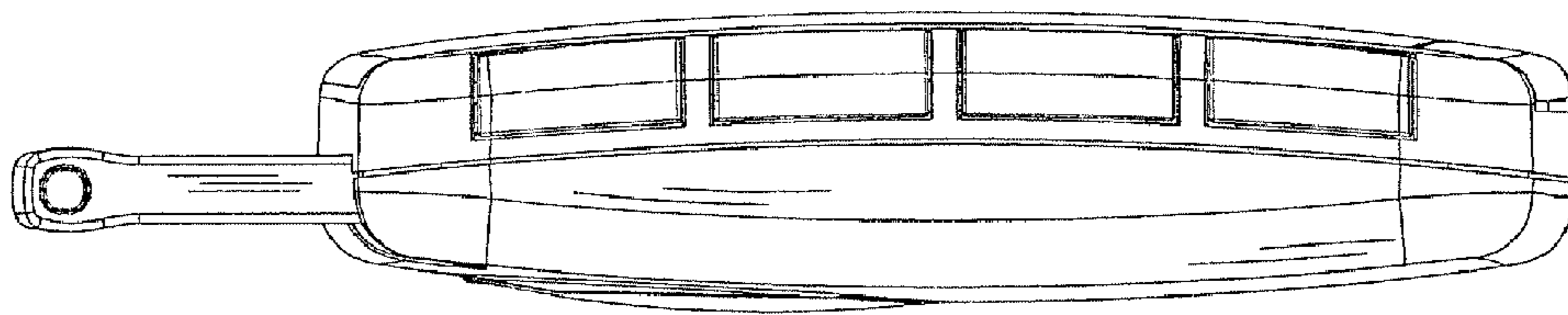


FIG. 9

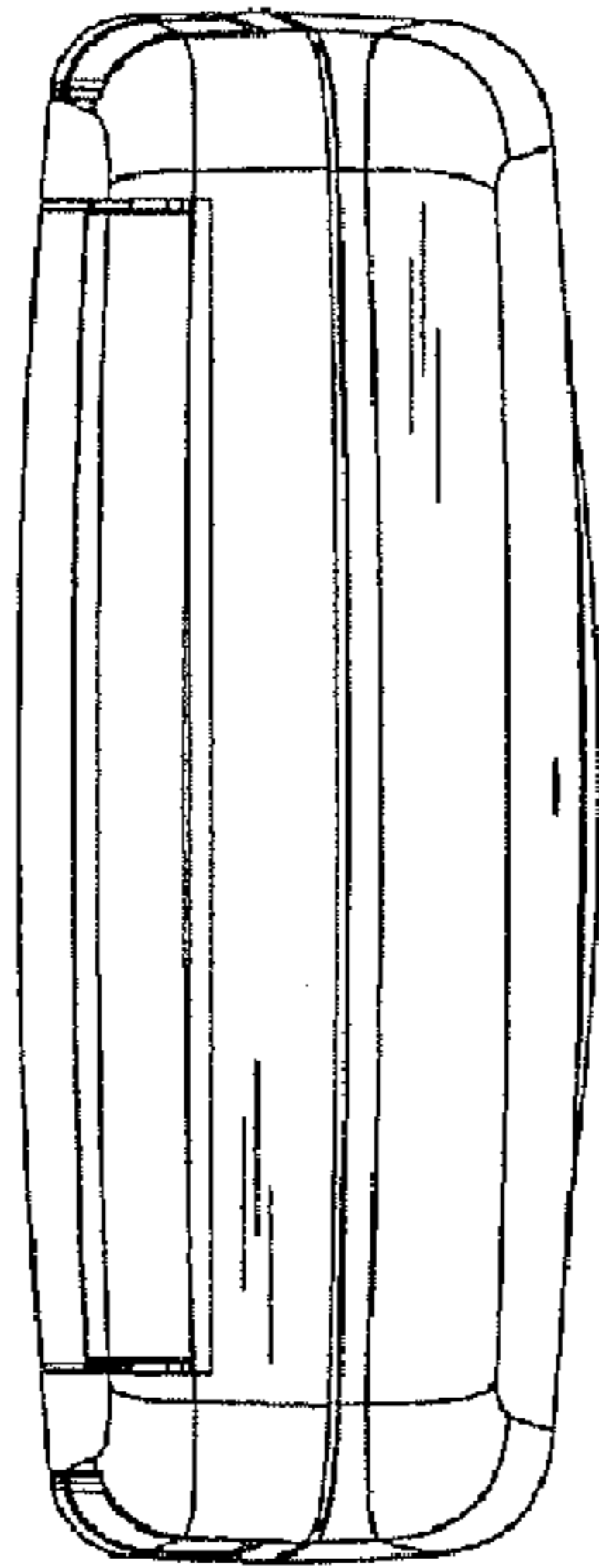


FIG. 10

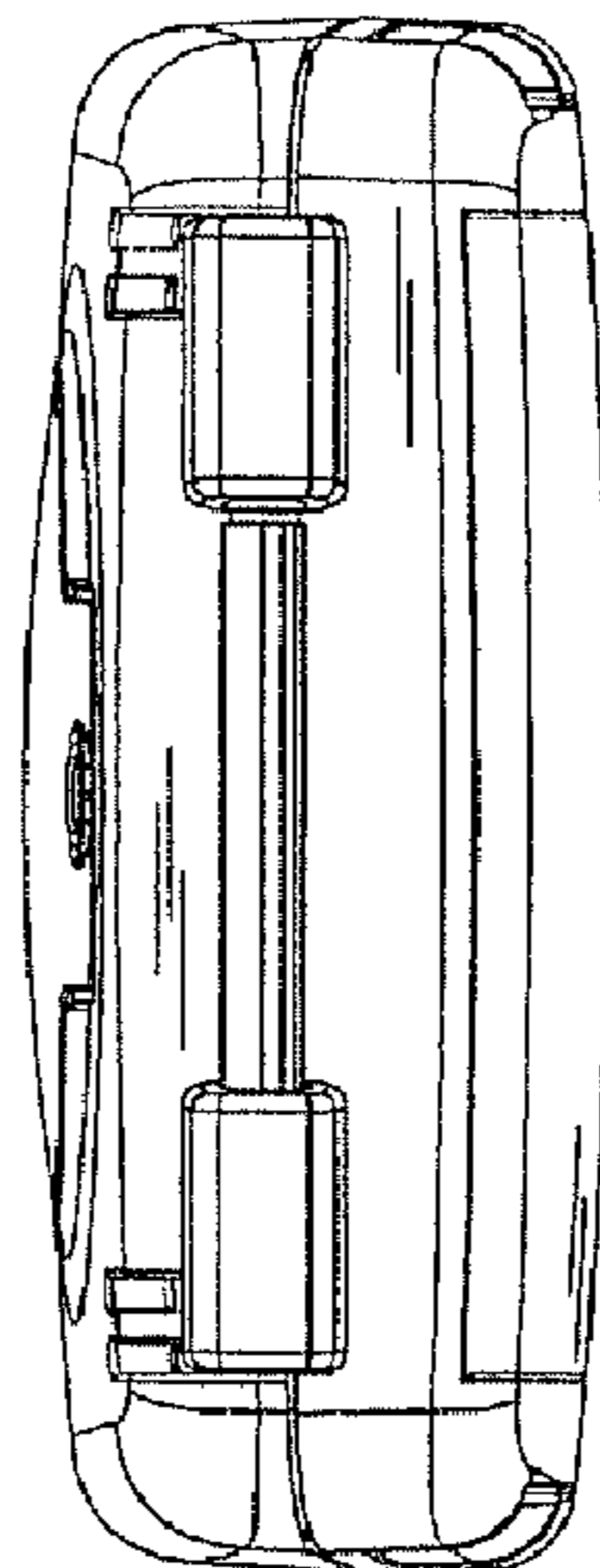


FIG. 11