

US00D576501S

(12) **United States Design Patent**
Tang

(10) **Patent No.:** **US D576,501 S**

(45) **Date of Patent:** **** Sep. 9, 2008**

(54) **WATCH**

(75) Inventor: **Lai Chun Tang**, Kowloon (HK)

(73) Assignee: **O.D.M. Design & Marketing Limited**,
Kowloon (HK)

(**) Term: **14 Years**

(21) Appl. No.: **29/281,504**

(22) Filed: **Jun. 25, 2007**

(51) **LOC (8) Cl.** **10-02**

(52) **U.S. Cl.** **D10/32; D10/31**

(58) **Field of Classification Search** **D10/30-39,**
D10/122-132; 368/276, 281, 282, 285, 239-242,
368/28-30, 82-84; D11/3, 4, 5; 63/3
See application file for complete search history.

(56) **References Cited**

U.S. PATENT DOCUMENTS

2,189,096	A *	2/1940	Alonge	224/170
2,472,351	A *	6/1949	Tyler	368/282
2,590,572	A *	3/1952	Rasmussen	224/170
2,952,967	A *	9/1960	Nussle	368/281
D296,993	S *	8/1988	Givings	D10/32
5,228,012	A *	7/1993	Seager	368/10
D366,036	S *	1/1996	Houlihan	D14/344
D388,333	S *	12/1997	Wunderman	D10/32
D396,651	S *	8/1998	Wunderman	D10/32
D412,445	S *	8/1999	Bodino	D10/32
D413,531	S *	9/1999	Philippe	D10/32
D415,697	S *	10/1999	Kaneko	D10/32
D430,495	S *	9/2000	Wunderman	D10/32

D432,437	S *	10/2000	Lassigne	D10/32
D446,461	S *	8/2001	Wunderman	D10/32
D447,701	S *	9/2001	Bodino	D10/32
D456,283	S *	4/2002	Baumann	D10/32
D457,814	S *	5/2002	Bodino	D10/32
D468,648	S *	1/2003	Starck	D10/38
D471,471	S *	3/2003	Fu et al.	D10/32
D474,697	S *	5/2003	Fu et al.	D10/30
D495,611	S *	9/2004	Jørgensen	D10/32
D496,290	S *	9/2004	Plan	D10/32
D503,895	S *	4/2005	Black	D10/32
D508,031	S *	8/2005	Kim et al.	D14/138

* cited by examiner

Primary Examiner—Lucy Lieberman

(57) **CLAIM**

The ornamental design for a watch, as shown.

DESCRIPTION

FIG. 1 is a front elevational view of a watch showing my new design;

FIG. 2 is a rear elevational view thereof;

FIG. 3 is a top plan view thereof;

FIG. 4 is a bottom plan view thereof;

FIG. 5 is a right side view thereof;

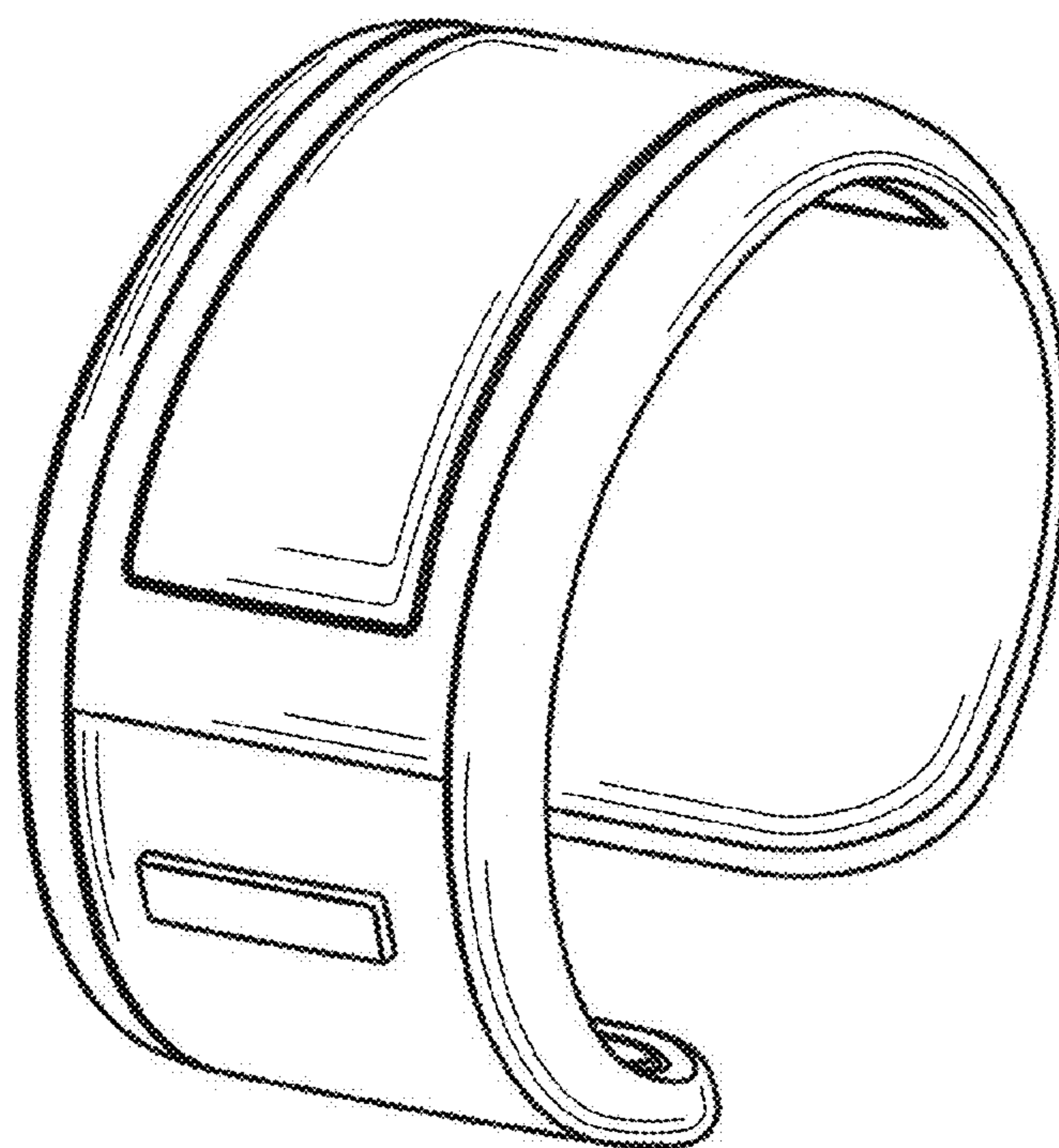
FIG. 6 is a left side view thereof;

FIG. 7 is a perspective view thereof;

FIG. 8 is another perspective view thereof; and,

FIG. 9 is another perspective view thereof.

1 Claim, 5 Drawing Sheets



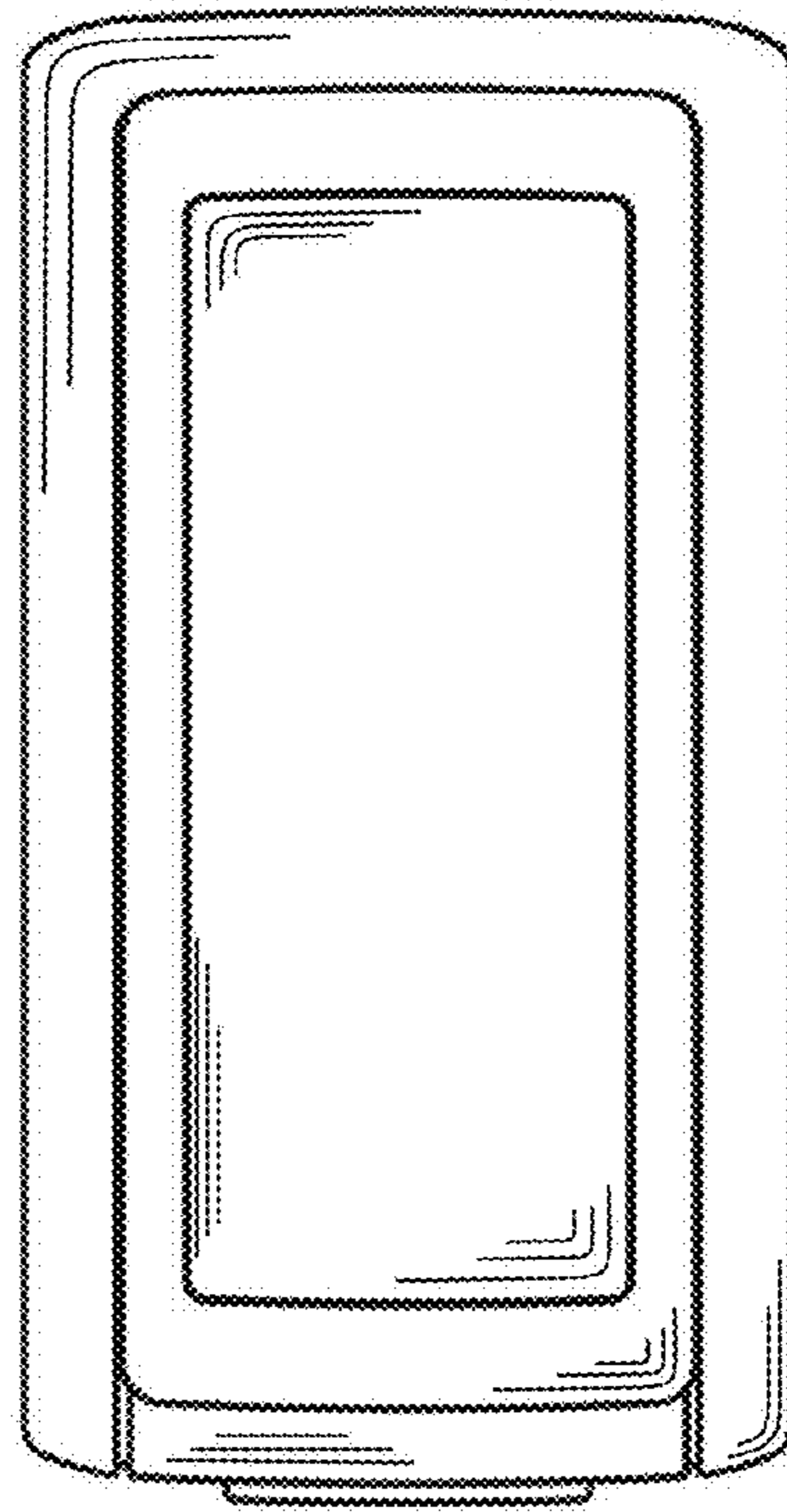


FIG. 1

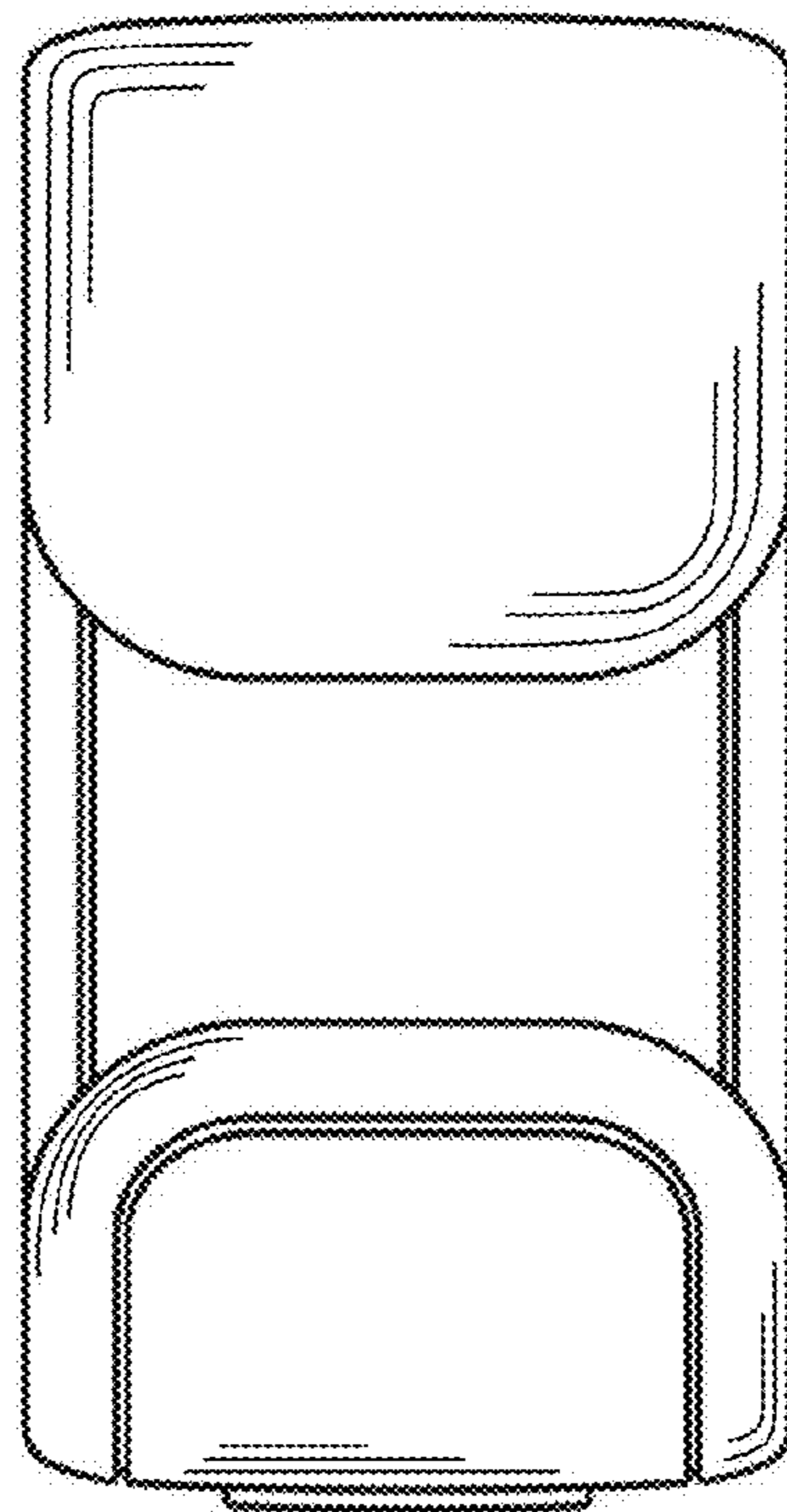


FIG. 2

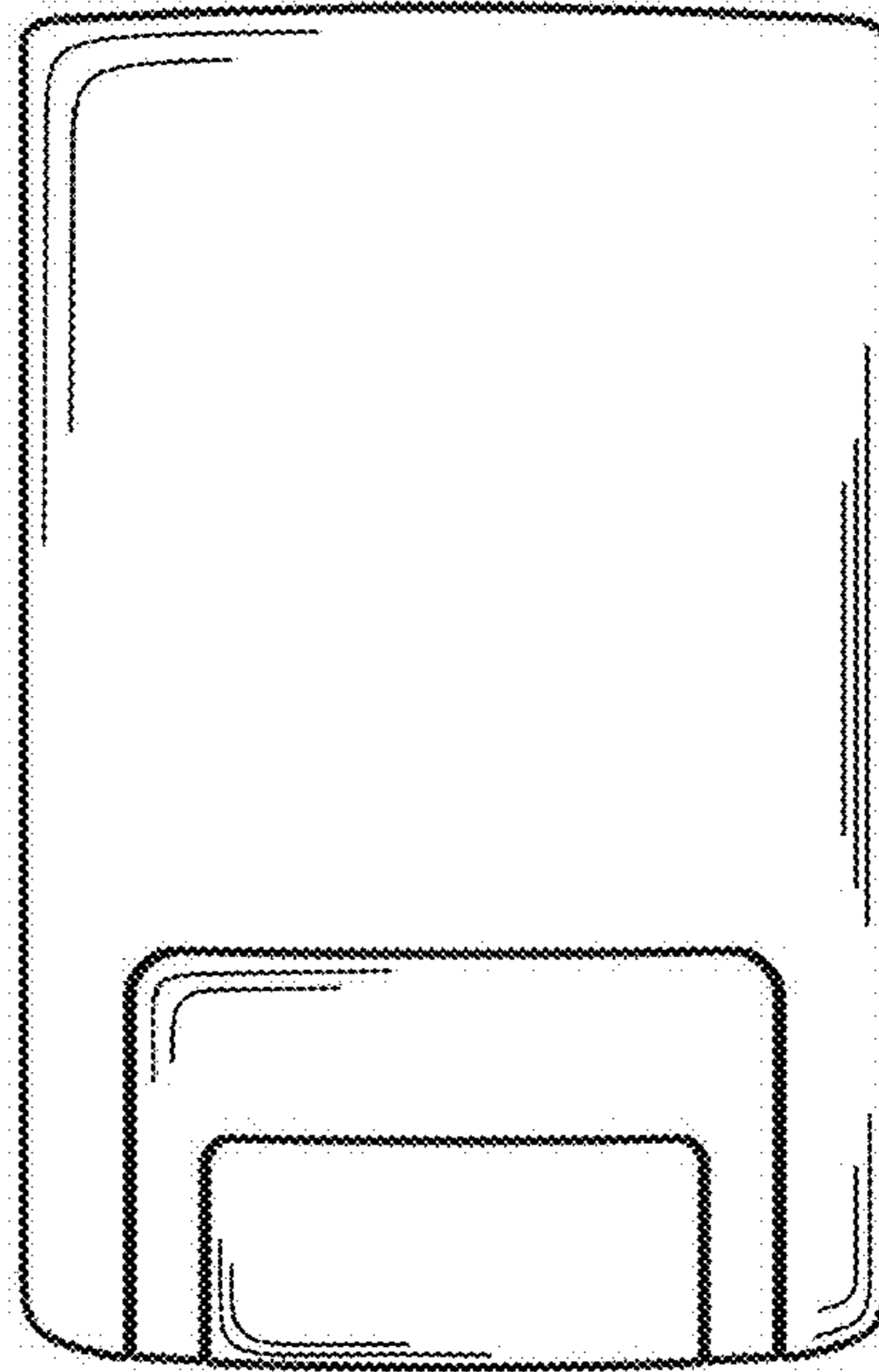


FIG. 3

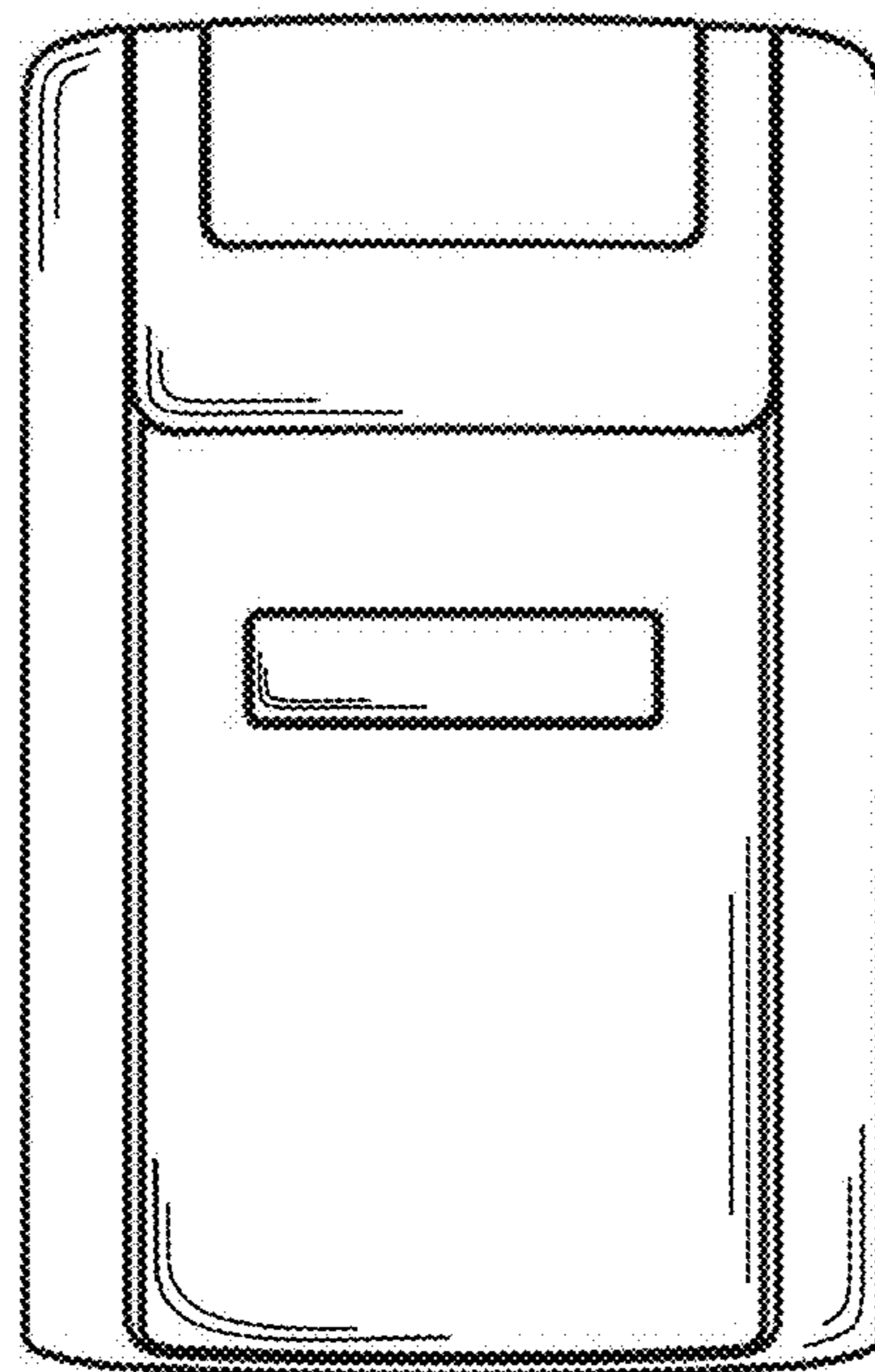


FIG. 4

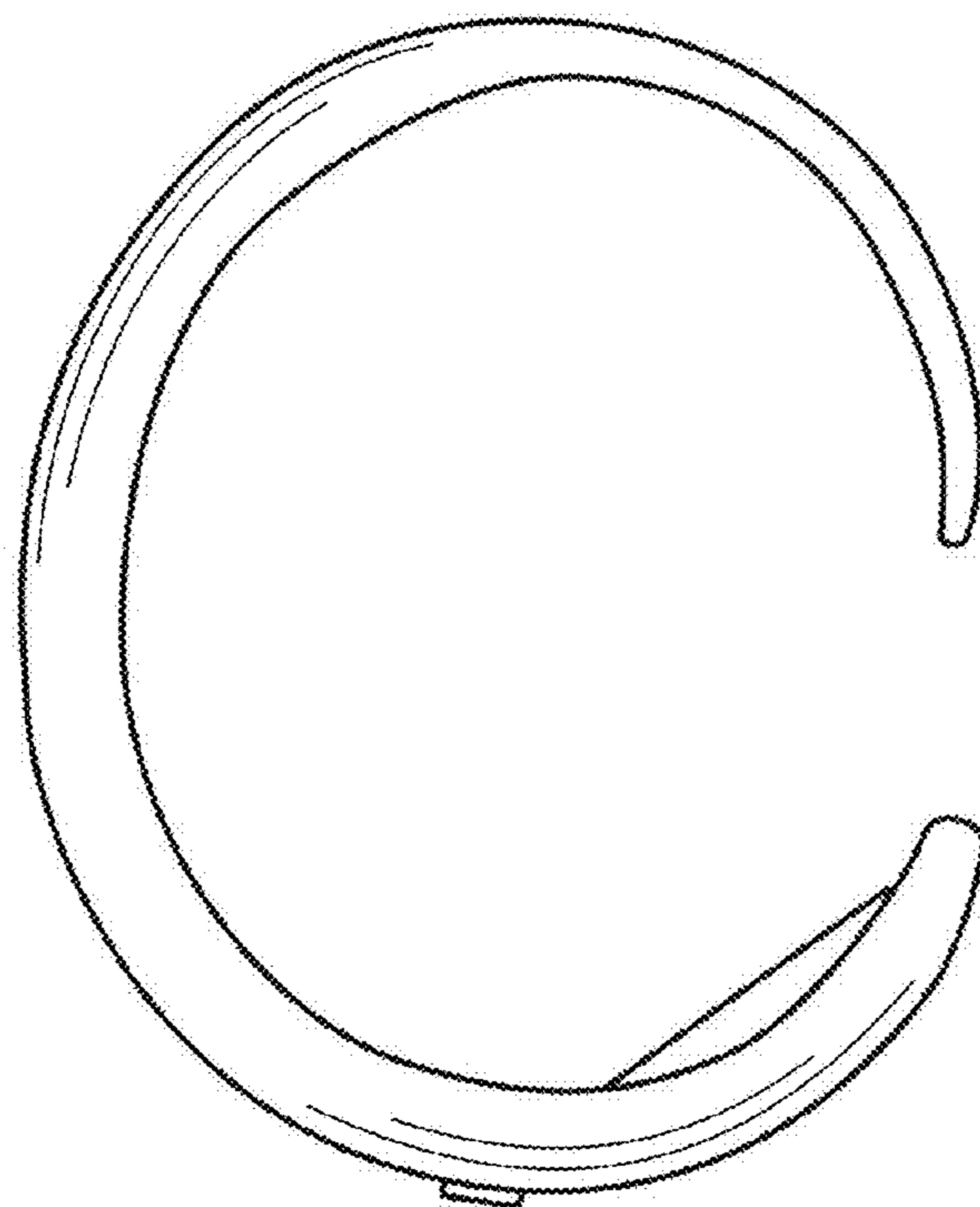


FIG. 5

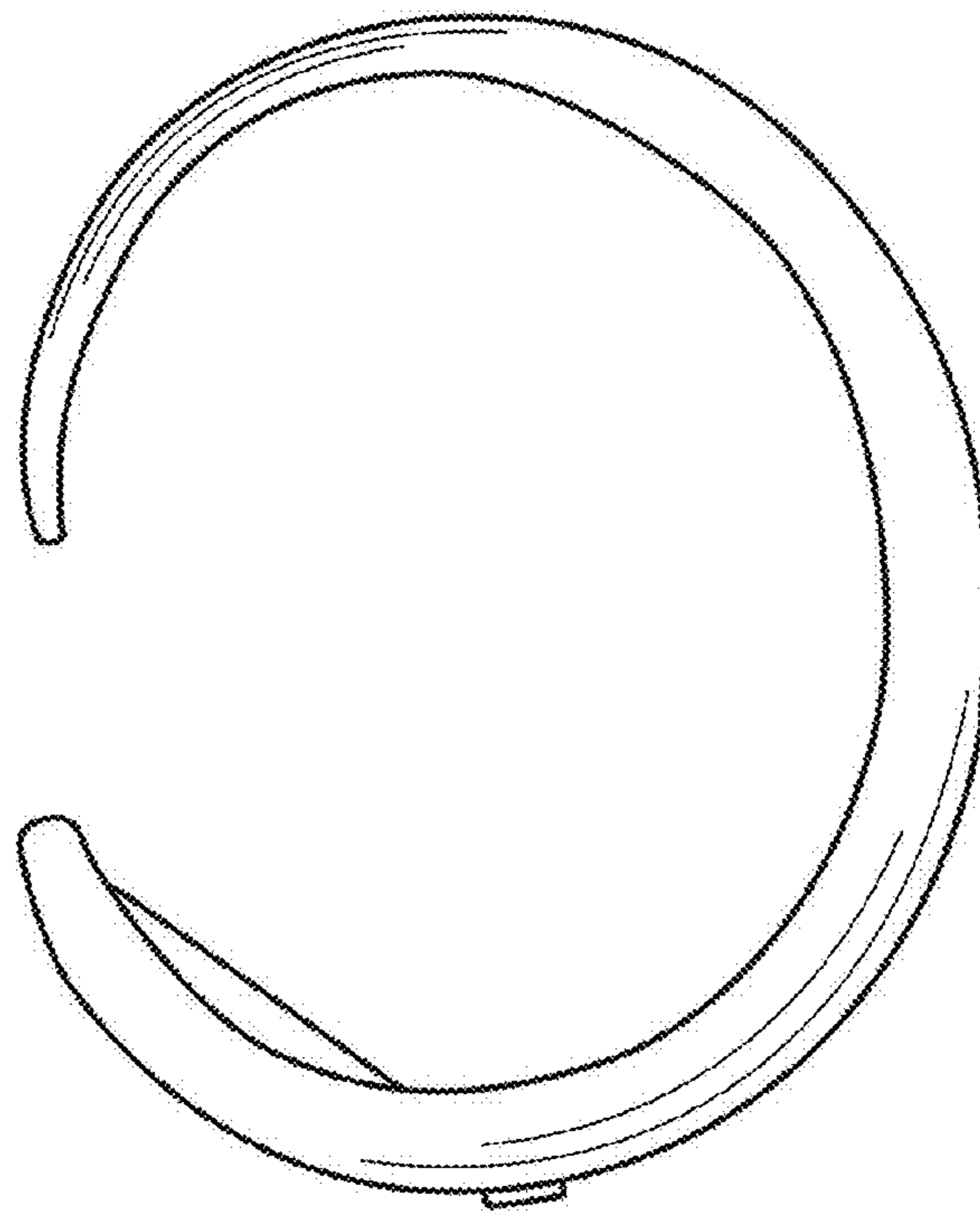


FIG. 6

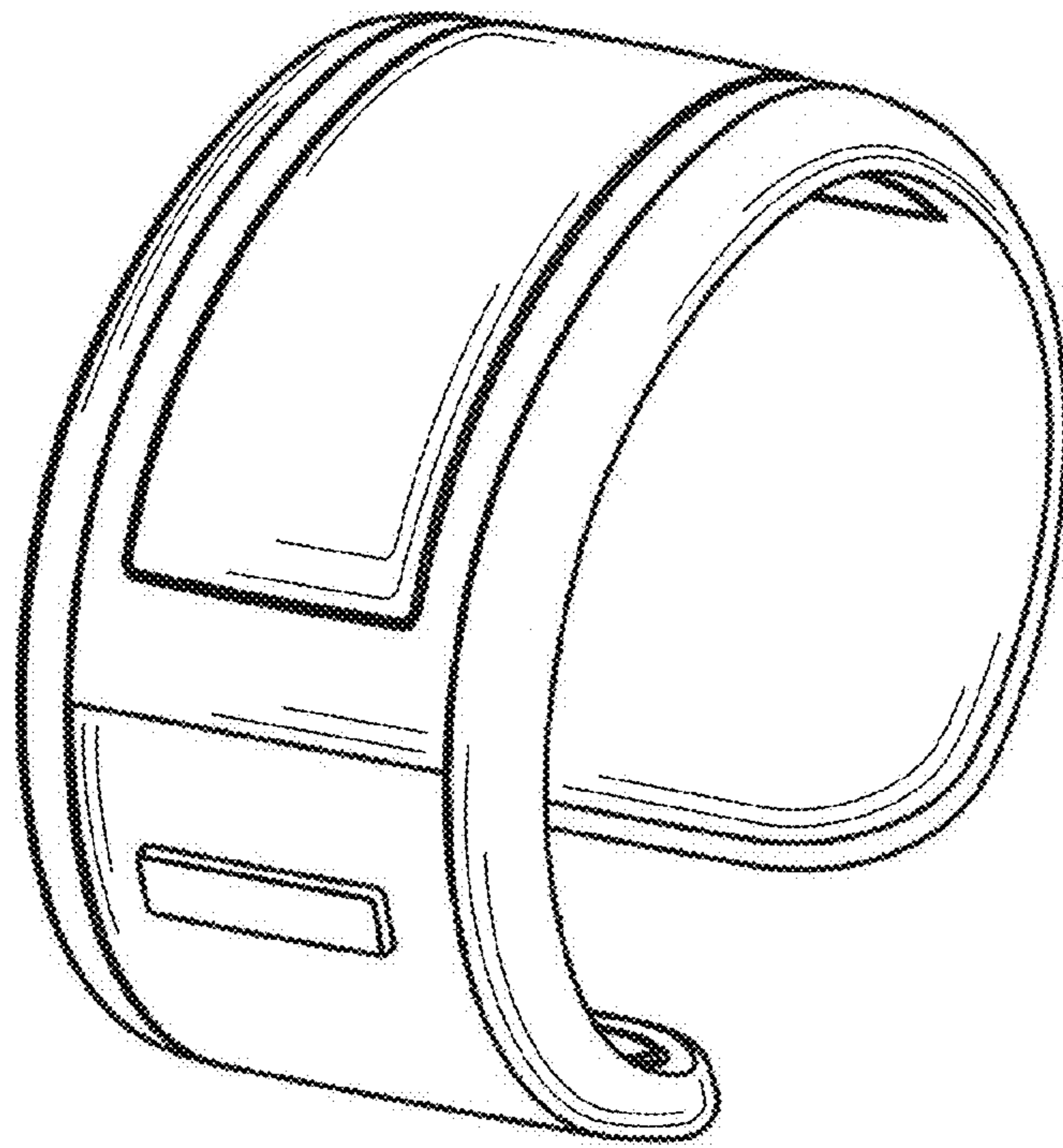


FIG. 7

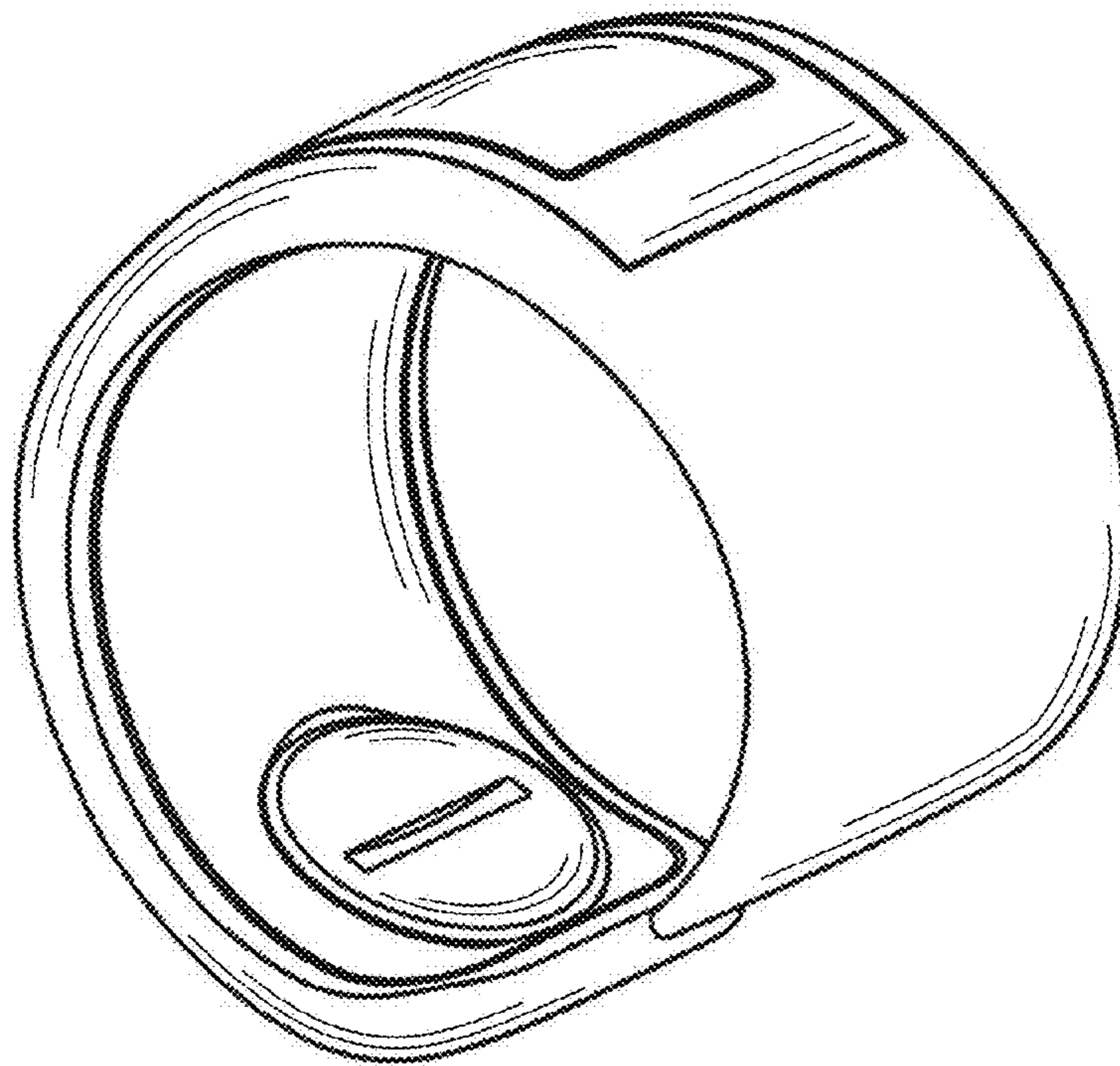


FIG. 8

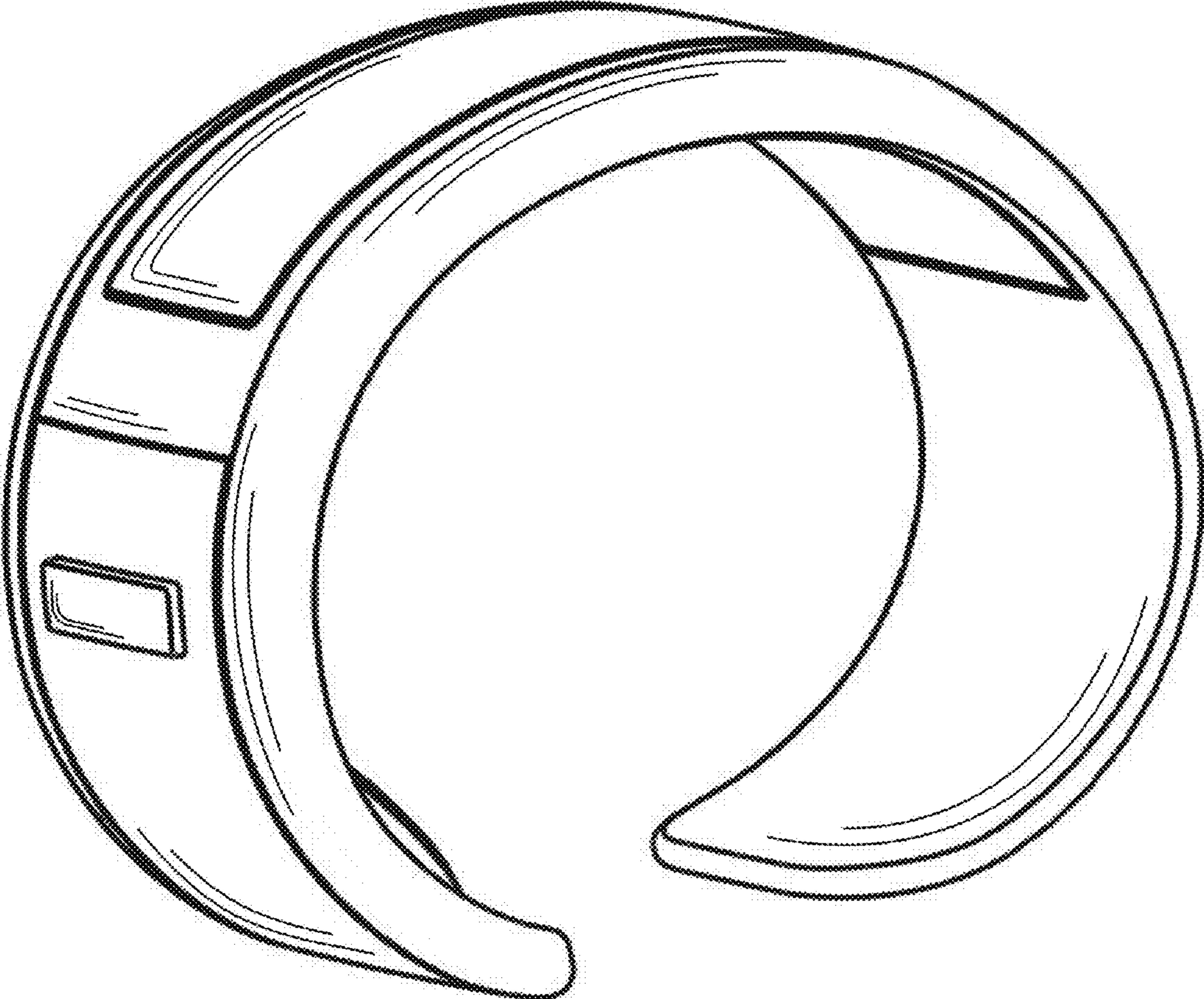


FIG. 9