



US00D576487S

(12) **United States Design Patent**
Ballard

(10) **Patent No.:** **US D576,487 S**
(45) **Date of Patent:** **** Sep. 9, 2008**

(54) **TRAY CARTON**

6,213,389 B1 4/2001 Cai
6,257,403 B1 7/2001 Feldmeier

(76) **Inventor:** **Richard Ballard**, 4915 W. 157th Pl.,
Overland Park, KS (US) 66224

Primary Examiner—Robert A Delehanty
(74) *Attorney, Agent, or Firm*—Erickson & Kleypas, LLC

(**) **Term:** **14 Years**

(57) **CLAIM**

(21) **Appl. No.:** **29/296,956**

The ornamental design for a tray carton, as shown and described.

(22) **Filed:** **Oct. 31, 2007**

(51) **LOC (8) Cl.** **09-03**

DESCRIPTION

(52) **U.S. Cl.** **D9/432; D9/761**

(58) **Field of Classification Search** D9/430-433,
D9/414-418, 761; 229/105-106, 108, 108.1,
229/100, 112-113, 115-116, 162.1, 922,
229/938; 206/551, 746, 457, 784, 822
See application file for complete search history.

FIG. 1 is a perspective view of a tray carton according to the present invention;

FIG. 2 is a front elevational view thereof;

FIG. 3 is a rear elevational view thereof;

FIG. 4 is a top plan view thereof;

FIG. 5 is a right side elevational view thereof; and,

FIG. 6 is a left side elevational view thereof.

The broken line showing the bottom surface is for illustrative purposes only and forms no part of the claimed design.

(56) **References Cited**

U.S. PATENT DOCUMENTS

D281,146 S	10/1985	Holewinski
D284,939 S	8/1986	Sandish et al.
5,205,474 A	4/1993	Stuart et al.
D382,200 S	8/1997	Brondyke et al.

1 Claim, 3 Drawing Sheets

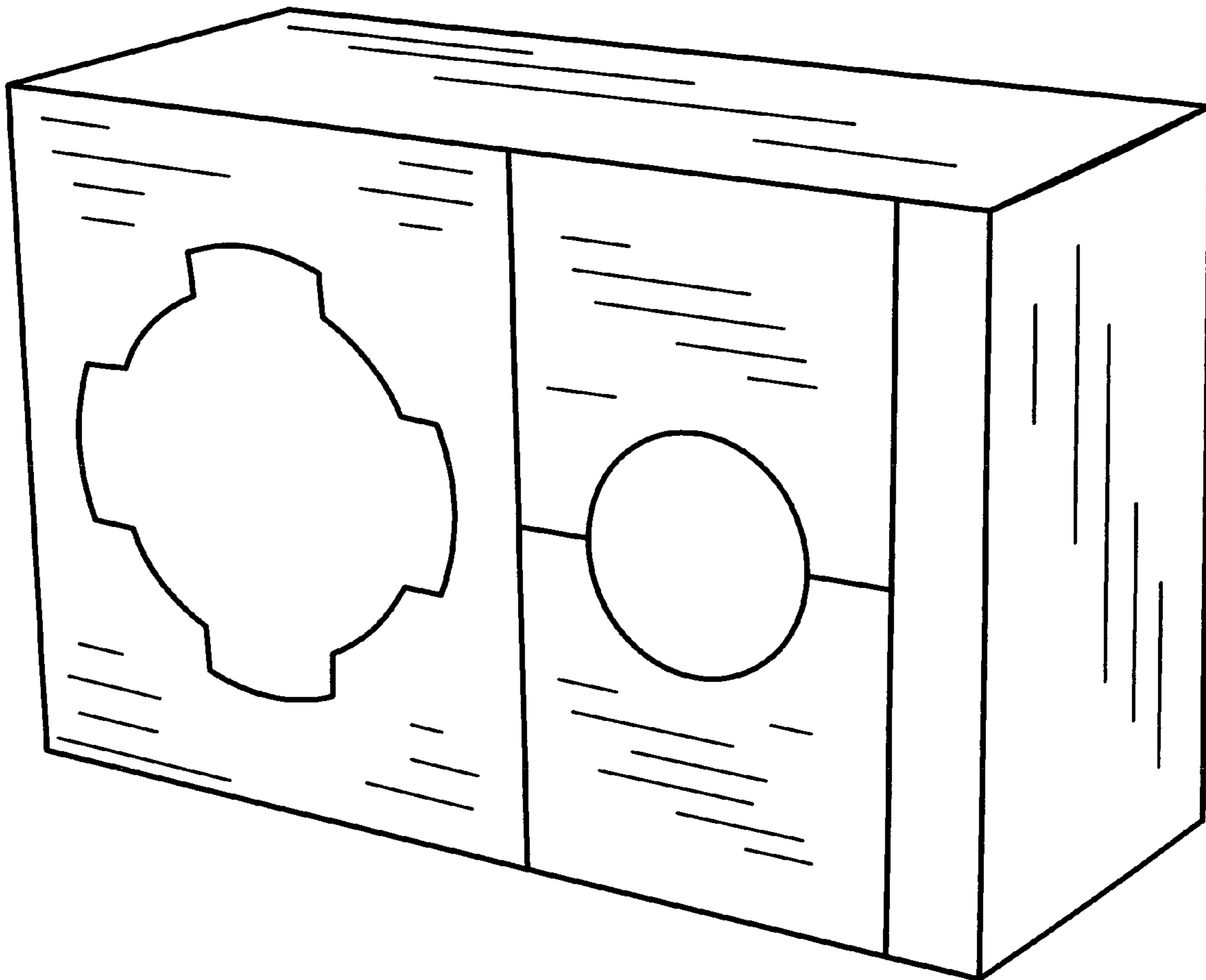


FIG. 1

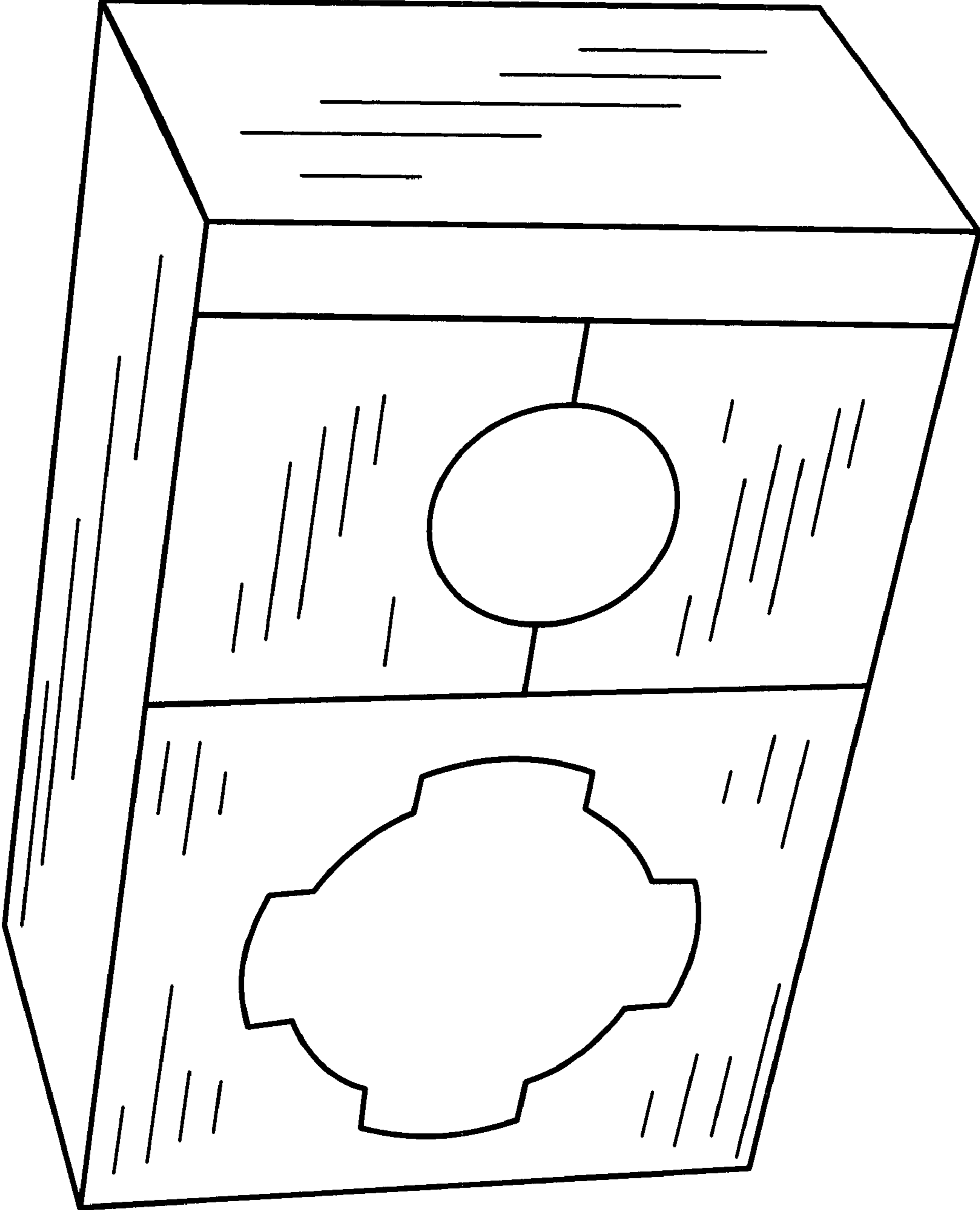


FIG. 2

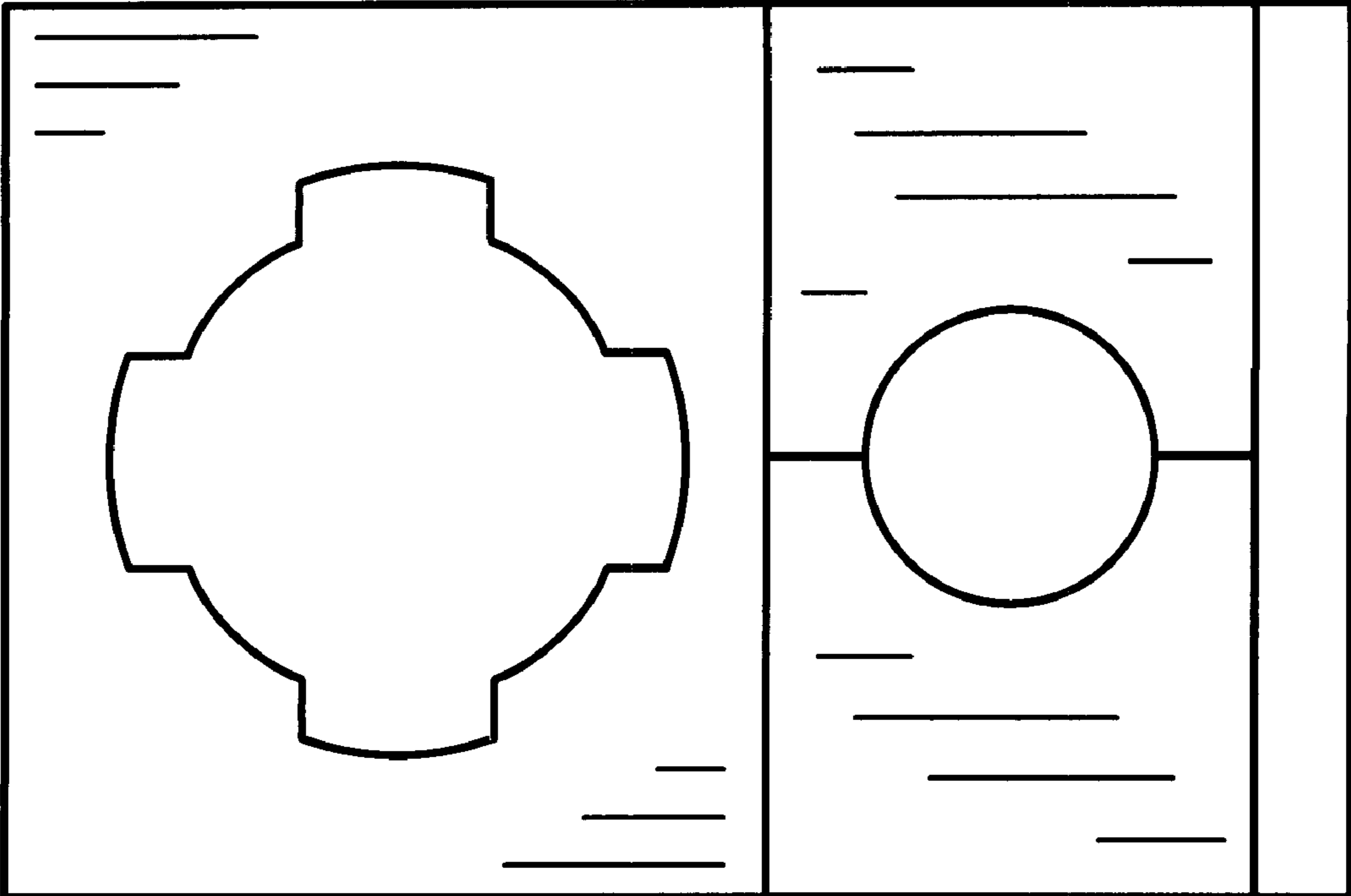
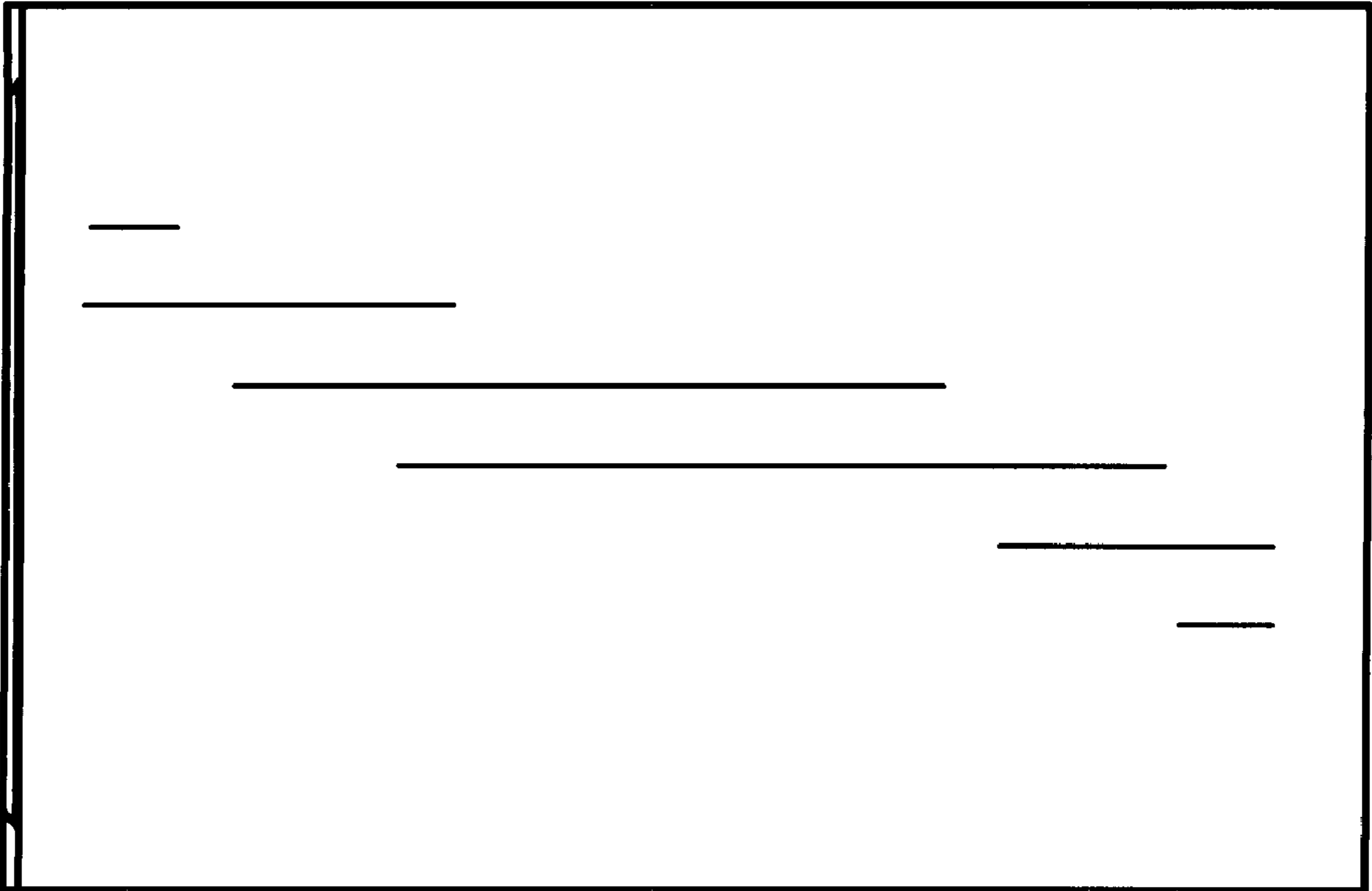


FIG. 3



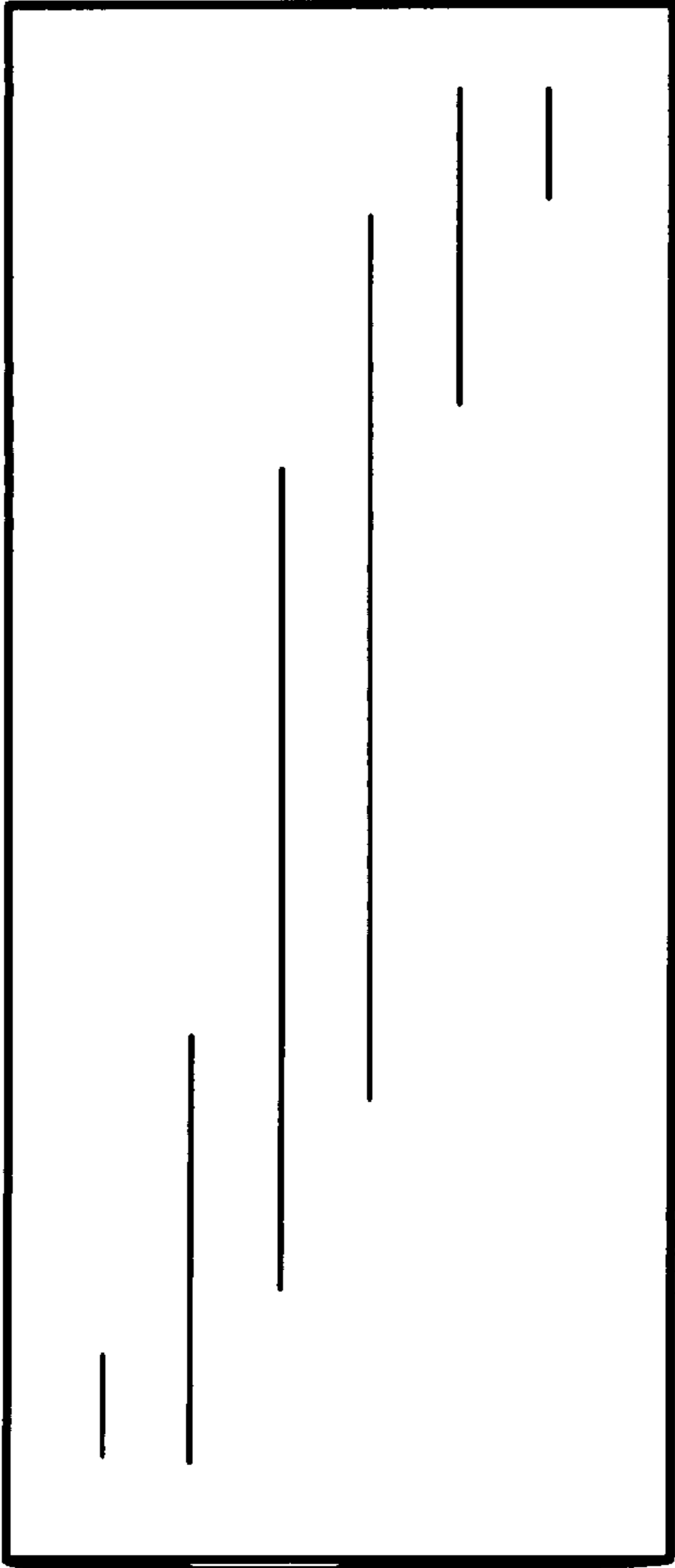


FIG. 4

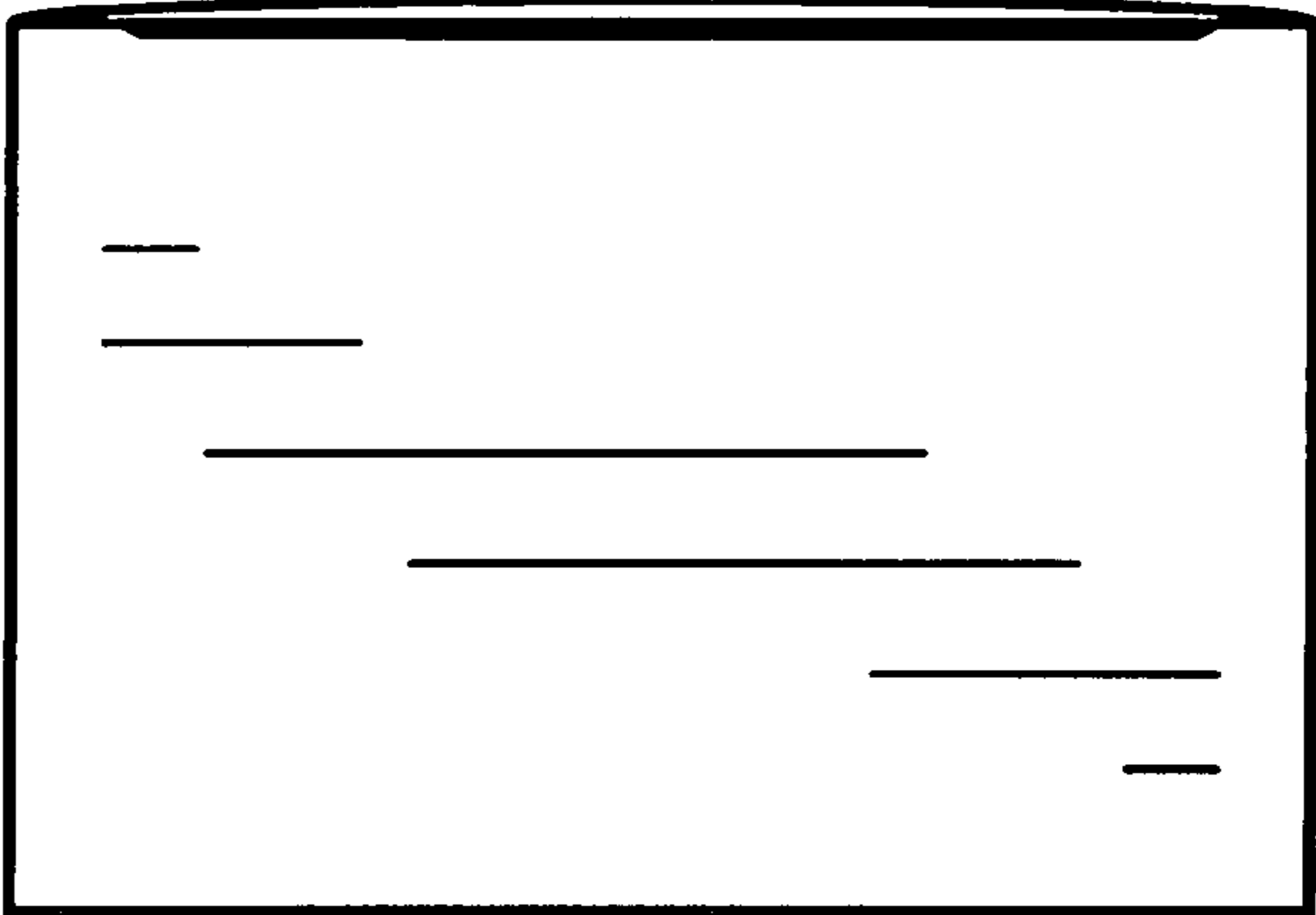


FIG. 5

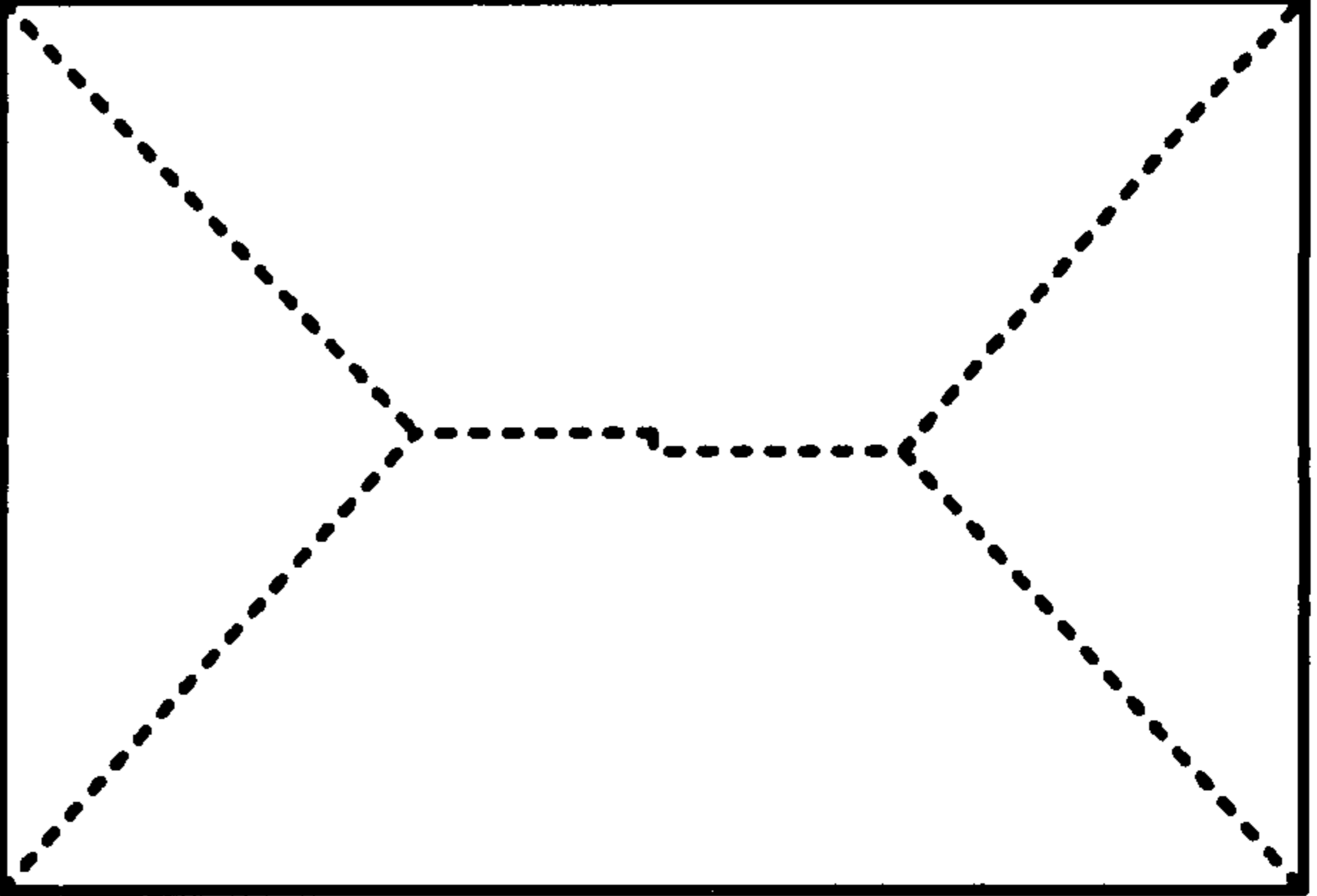


FIG. 6