



US00D576484S

(12) **United States Design Patent**
Koza et al.

(10) **Patent No.:** **US D576,484 S**
(45) **Date of Patent:** **** Sep. 9, 2008**

- (54) **CORK PACKAGING BLOCK**
- (75) Inventors: **Michelle Koza**, Los Angeles, CA (US);
Fumiya Matsuoka, Rancho Palos
Verdes, CA (US)
- (73) Assignees: **Sony Corporation**, Tokyo (JP); **Sony**
Electronics Inc., Park Ridge, NJ (US)
- (**) Term: **14 Years**
- (21) Appl. No.: **29/295,812**
- (22) Filed: **Oct. 8, 2007**
- (51) **LOC (8) Cl.** **09-03**
- (52) **U.S. Cl.** **D9/432**
- (58) **Field of Classification Search** D9/430-433,
D9/414-418, 420-429, 560, 737, 756; D3/273,
D3/302; 206/421, 454, 457, 775-778, 784,
206/822, 521, 521.2, 521.6-521.8, 523, 524,
206/588, 591, 592; 220/500, 523-529, 552,
220/555; 229/100, 103.3, 104-106, 108,
229/108.1, 109, 110, 112-116, 116.1, 116.2,
229/117.15, 120, 125.015, 132, 138, 155,
229/162.1, 162.6, 162.7, 182.1, 213, 214,
229/247, 406, 407, 902, 911, 922, 930, 942
See application file for complete search history.

(56) **References Cited**

U.S. PATENT DOCUMENTS

634,507	A *	10/1899	Smith	229/182.1
879,865	A *	2/1908	Godfrey	229/406
1,131,579	A *	3/1915	Mackee	217/29
1,748,406	A *	2/1930	Blair	401/201
2,055,968	A *	9/1936	Dreux	206/583
2,722,719	A *	11/1955	George	264/155
3,096,879	A *	7/1963	Schumacher	206/523
3,309,893	A *	3/1967	Heffler et al.	62/372
3,420,363	A *	1/1969	Blickensderfer	206/524
3,443,661	A *	5/1969	Sciver	181/199
3,487,990	A *	1/1970	Overton et al.	229/122.27
3,491,914	A *	1/1970	Elzey	220/801
3,607,134	A *	9/1971	McIntyre	422/104
3,807,624	A *	4/1974	Funkhouser	206/427
3,871,521	A *	3/1975	Szatkowski	206/524

5,226,557	A *	7/1993	Nelson	206/523
D339,351	S *	9/1993	Matsuoka et al.	D14/217
5,667,072	A *	9/1997	Chang	206/523
5,788,078	A *	8/1998	Fuss	206/521
6,028,293	A *	2/2000	Nagle et al.	219/432
6,412,635	B1 *	7/2002	Lu	206/523
6,817,161	B1 *	11/2004	Wu et al.	53/449
6,966,450	B2 *	11/2005	Askew	220/529
7,104,398	B1 *	9/2006	Wisecarver	206/316.3
7,207,508	B1 *	4/2007	Golshevsky	241/37.5
D551,968	S *	10/2007	Kleinsmith	D9/432
D551,969	S *	10/2007	Aurilio et al.	D9/432
2003/0106826	A1 *	6/2003	Mazziliano	206/521.1
2004/0079670	A1 *	4/2004	Sendijarevic et al.	206/523
2005/0045642	A1 *	3/2005	Vance	220/521
2006/0207914	A1 *	9/2006	Cance et al.	206/588

* cited by examiner

Primary Examiner—T. Chase Nelson
Assistant Examiner—Karen Acker
(74) *Attorney, Agent, or Firm*—John L. Rogitz

(57) **CLAIM**

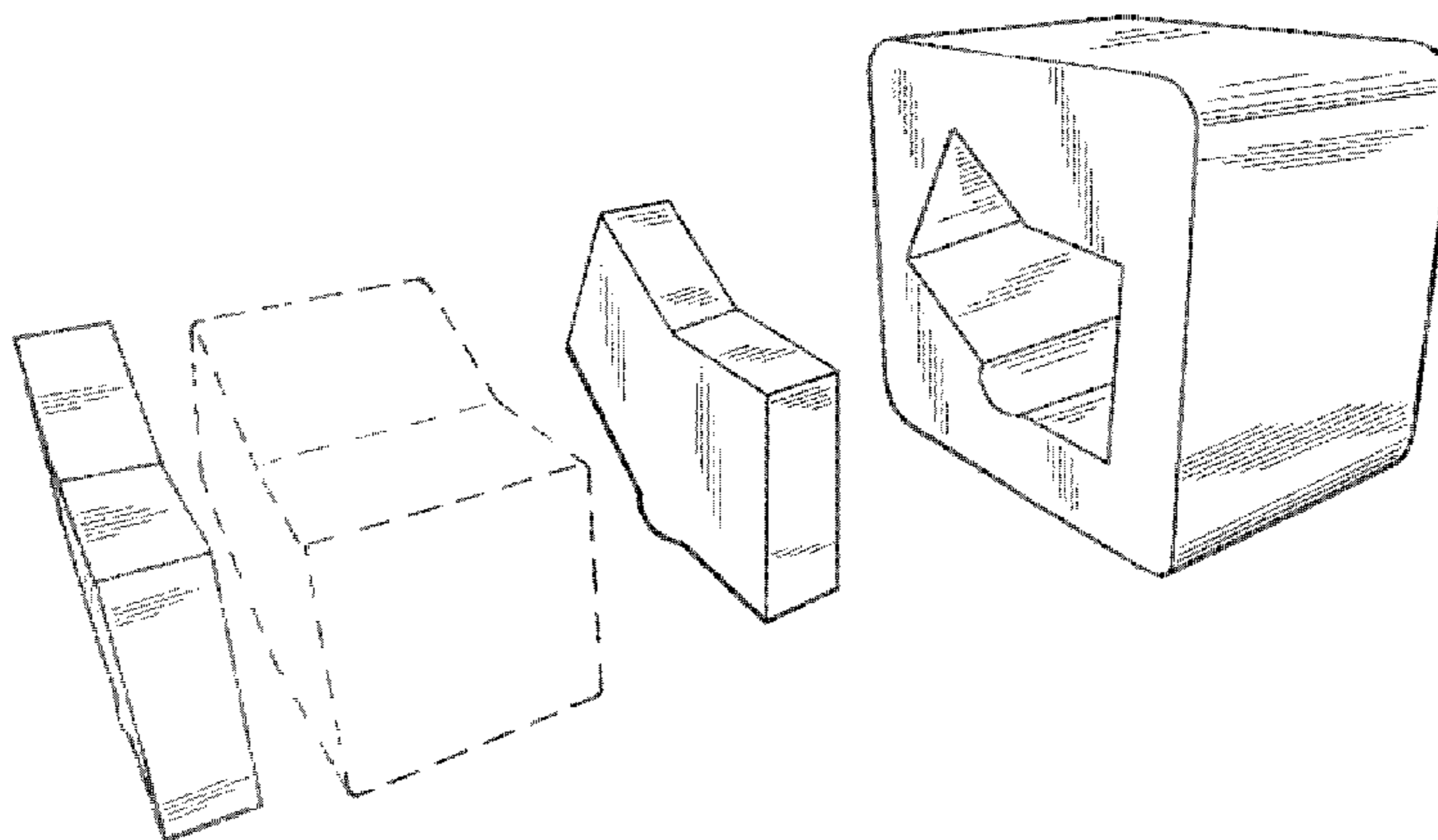
The ornamental design for the cork packaging block, as shown and described.

DESCRIPTION

FIG. 1 is an exploded perspective view of the cork packaging block, with a product to be packaged shown in phantom line; FIG. 2 is a front view of the cork packaging block; FIG. 3 is a left side elevational view of the cork packaging block; and FIG. 4 is a rear view of the cork packaging block; FIG. 5 is a right side elevational view of the cork packaging block; FIG. 6 is a top plan view of the cork packaging block; and, FIG. 7 is a bottom plan view of the cork packaging block.

The product shown in phantom line in FIG. 1 is included for the purpose of illustration only and forms no part of the claimed design.

1 Claim, 2 Drawing Sheets



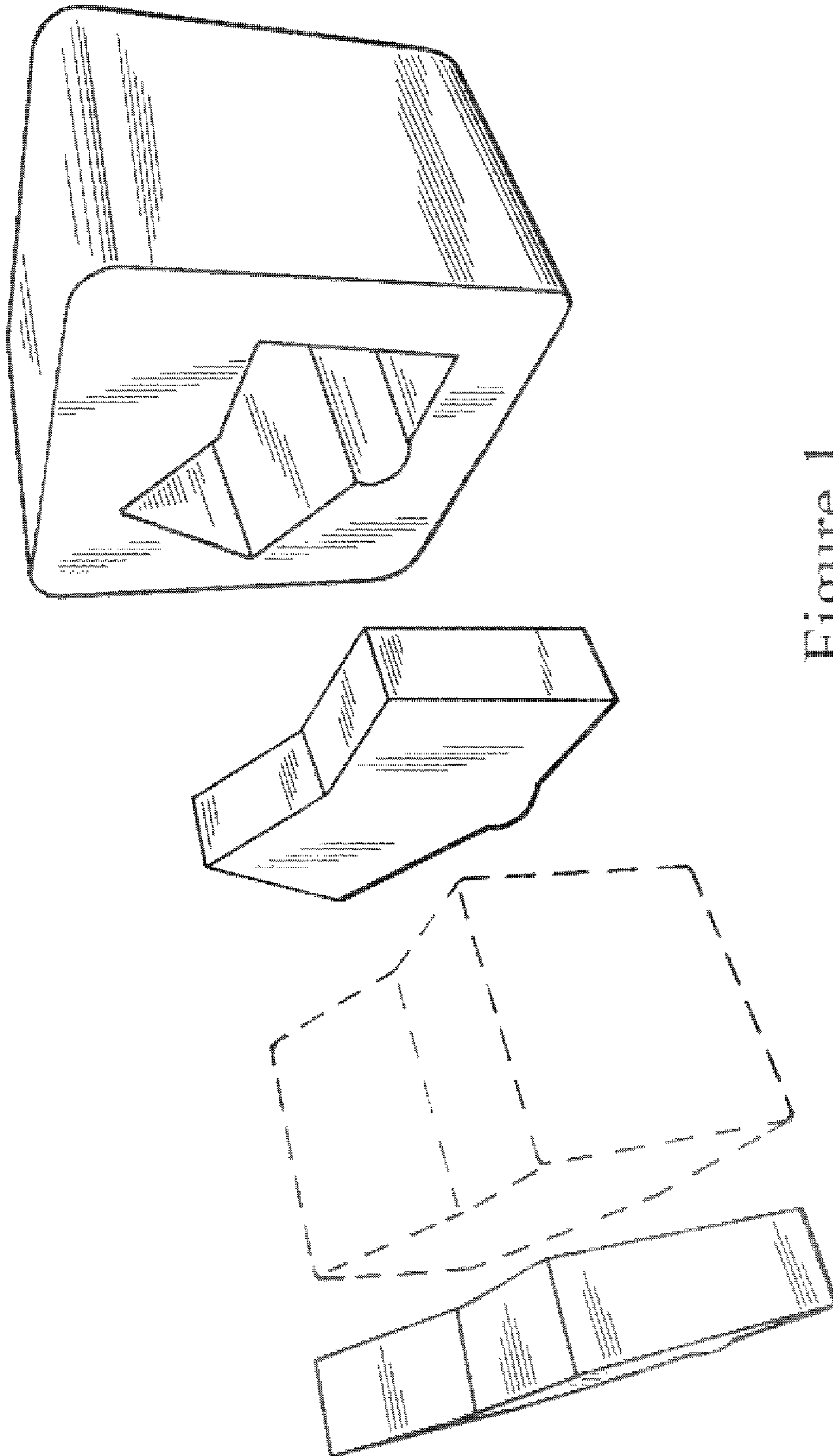


Figure 1



Figure 2

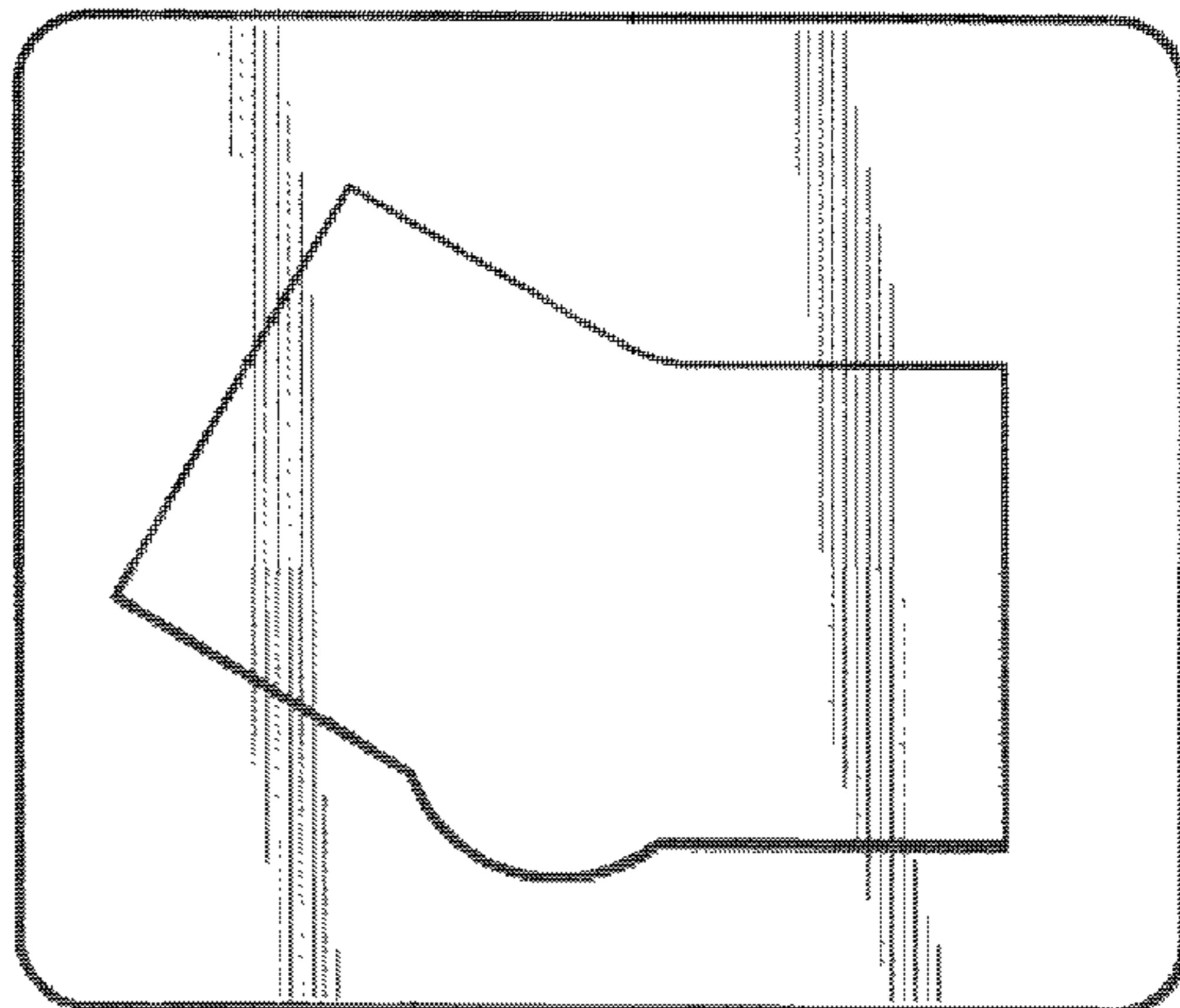


Figure 3

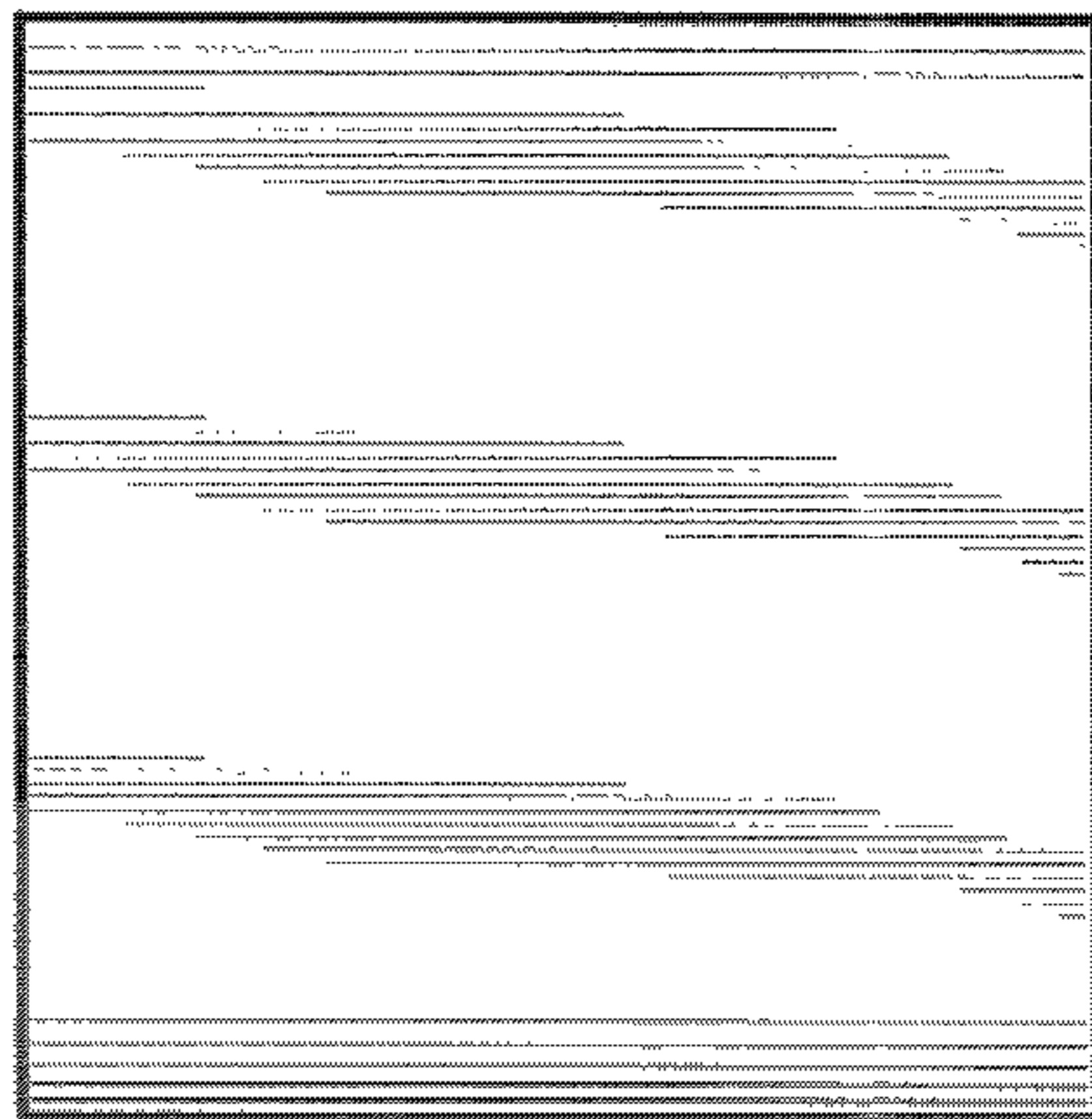


Figure 4

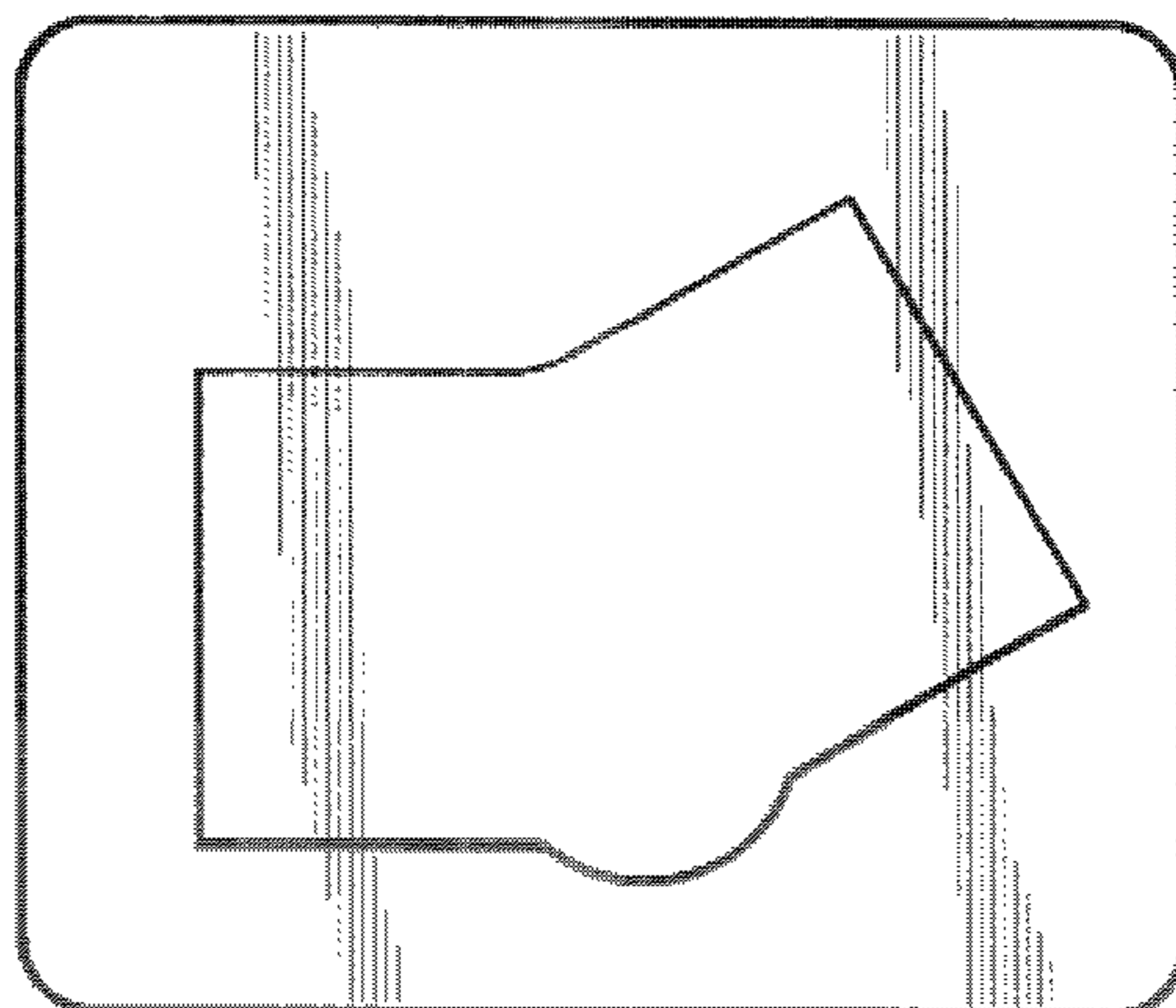


Figure 5



Figure 6

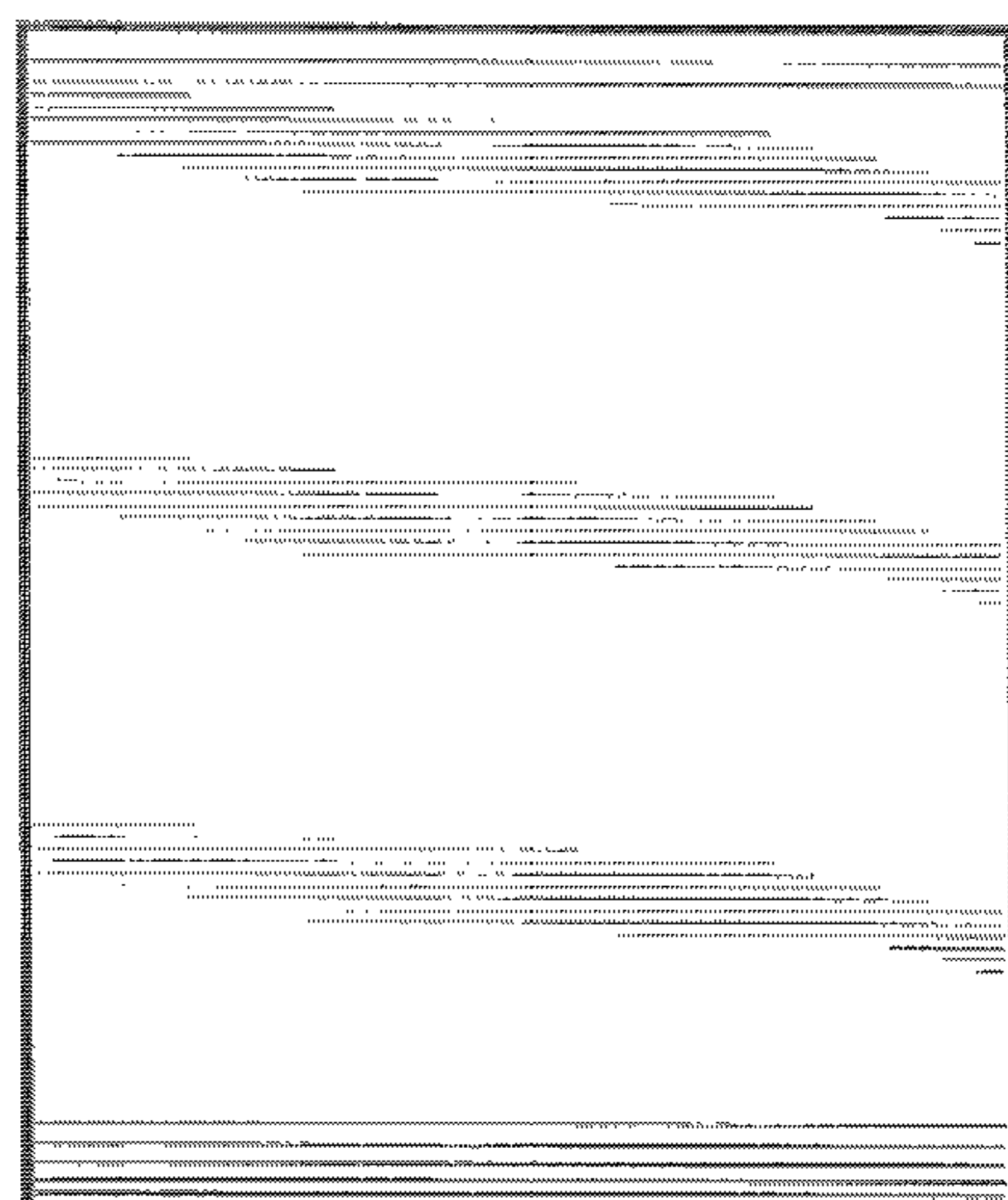


Figure 7