



US00D576483S

(12) **United States Design Patent**
Wintmolders et al.

(10) **Patent No.:** **US D576,483 S**
(45) **Date of Patent:** **** Sep. 9, 2008**

(54) **WINDOW CUTOUT FOR A PACKAGE**

(75) Inventors: **Wim Wintmolders**, Cincinnati, OH (US); **David Joseph Tesnar**, Cincinnati, OH (US); **Richard Charles Groot**, Covington, KY (US)

(73) Assignee: **The Procter & Gamble Company**, Cincinnati, OH (US)

(**) Term: **14 Years**

(21) Appl. No.: **29/288,458**

(22) Filed: **Jun. 12, 2007**

(51) **LOC (8) Cl.** **09-03**

(52) **U.S. Cl.** **D9/418**

(58) **Field of Classification Search** D9/414-418, D9/420-426, 430-432, 761, 737, 757; D7/357, D7/629, 602, 553.1-553.8, 538, 591, 615; 206/315.9, 485, 521.1, 539, 564, 541, 546, 206/588, 766, 779; 220/23.8, 23.83, 315, 220/324, 326, 367, 556, 4.21, 4.23, 835, 220/839; 229/406, 902-904, 906, 407, 110; D6/470, 397, 441

See application file for complete search history.

(56) **References Cited**

U.S. PATENT DOCUMENTS

D297,415 S *	8/1988	Gavin et al.	D9/416
D319,185 S *	8/1991	Ferrero	D9/415
D369,546 S *	5/1996	Chapman et al.	D9/415
D371,068 S *	6/1996	Chapman et al.	D9/721
D380,964 S *	7/1997	Miller et al.	D9/415
D386,079 S *	11/1997	Harper	D9/418
D406,754 S *	3/1999	Tanabe	D9/415
D446,113 S *	8/2001	Steinfels	D9/418
D462,264 S *	9/2002	Barr et al.	D9/416

6,460,703 B1 *	10/2002	Thompson et al.	206/779
D469,349 S *	1/2003	Meeker et al.	D9/418
D494,060 S *	8/2004	Izen et al.	D9/418
D502,392 S *	3/2005	Maher et al.	D9/418
D528,906 S *	9/2006	Harper et al.	D9/418
D534,419 S *	1/2007	Hermkens et al.	D9/418
D536,960 S *	2/2007	Harper et al.	D9/418
D543,450 S *	5/2007	Watzig et al.	D9/418
D547,644 S *	7/2007	Harper et al.	D9/418
D554,501 S *	11/2007	Bone et al.	D9/432
D558,044 S *	12/2007	Olson	D9/418
D559,099 S *	1/2008	Sheppard et al.	D9/418

* cited by examiner

Primary Examiner—Robert M. Spear
Assistant Examiner—Susan E Krakower

(74) *Attorney, Agent, or Firm*—Larry L. Huston; Kim William Zerby; Steven W. Miller

(57) **CLAIM**

The ornamental design for a window cutout for a package, as shown and described.

DESCRIPTION

FIG. 1 is a perspective view of a window cutout for a package, showing our new design;

FIG. 2 is a top view thereof;

FIG. 3 is a front view thereof;

FIG. 4 is a back view thereof;

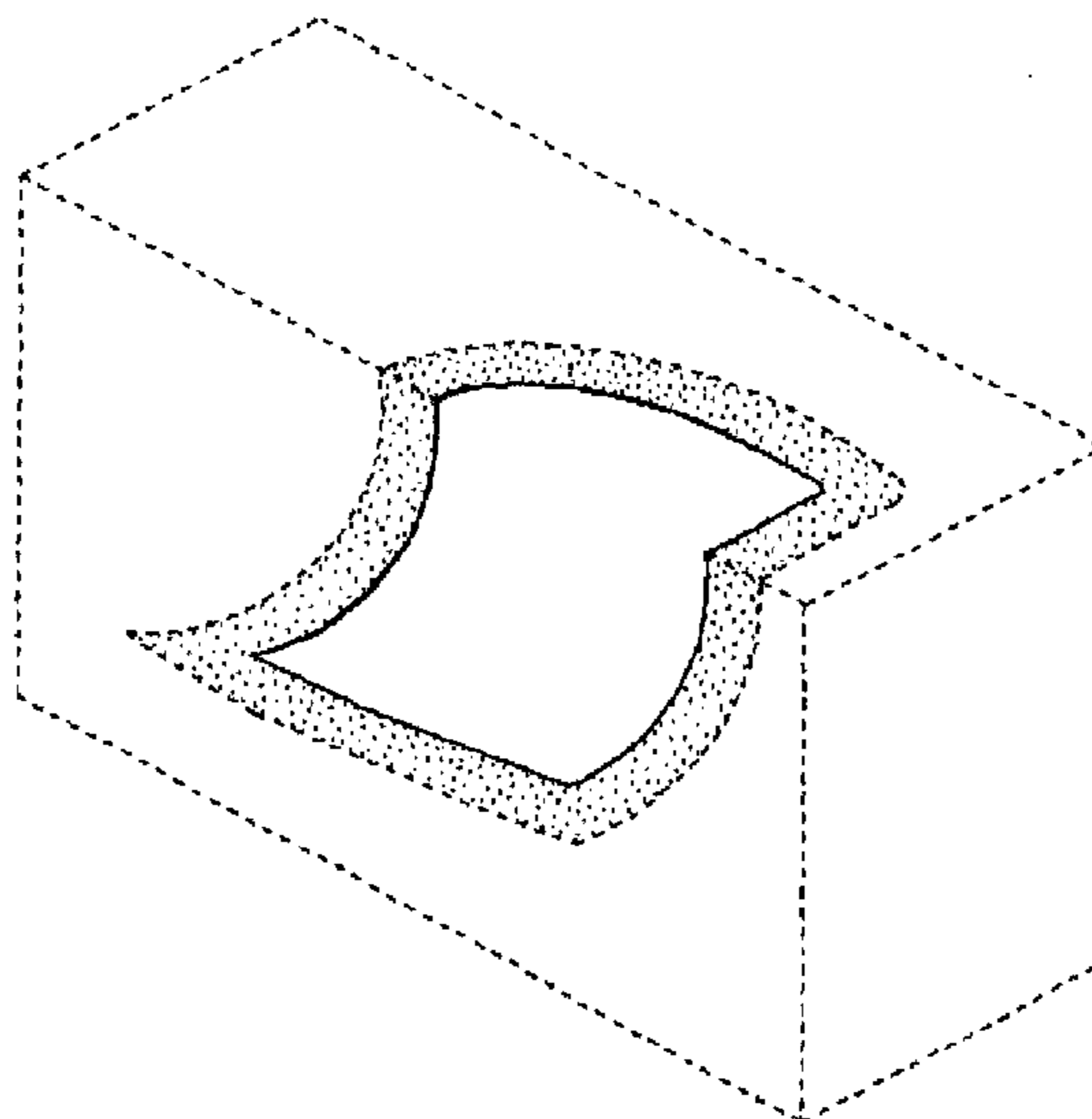
FIG. 5 is a bottom view thereof;

FIG. 6 is a left view thereof; and,

FIG. 7 is a right view thereof.

The portions of the drawings shown in broken lines represent environmental structure and form no part of the claimed design.

1 Claim, 3 Drawing Sheets



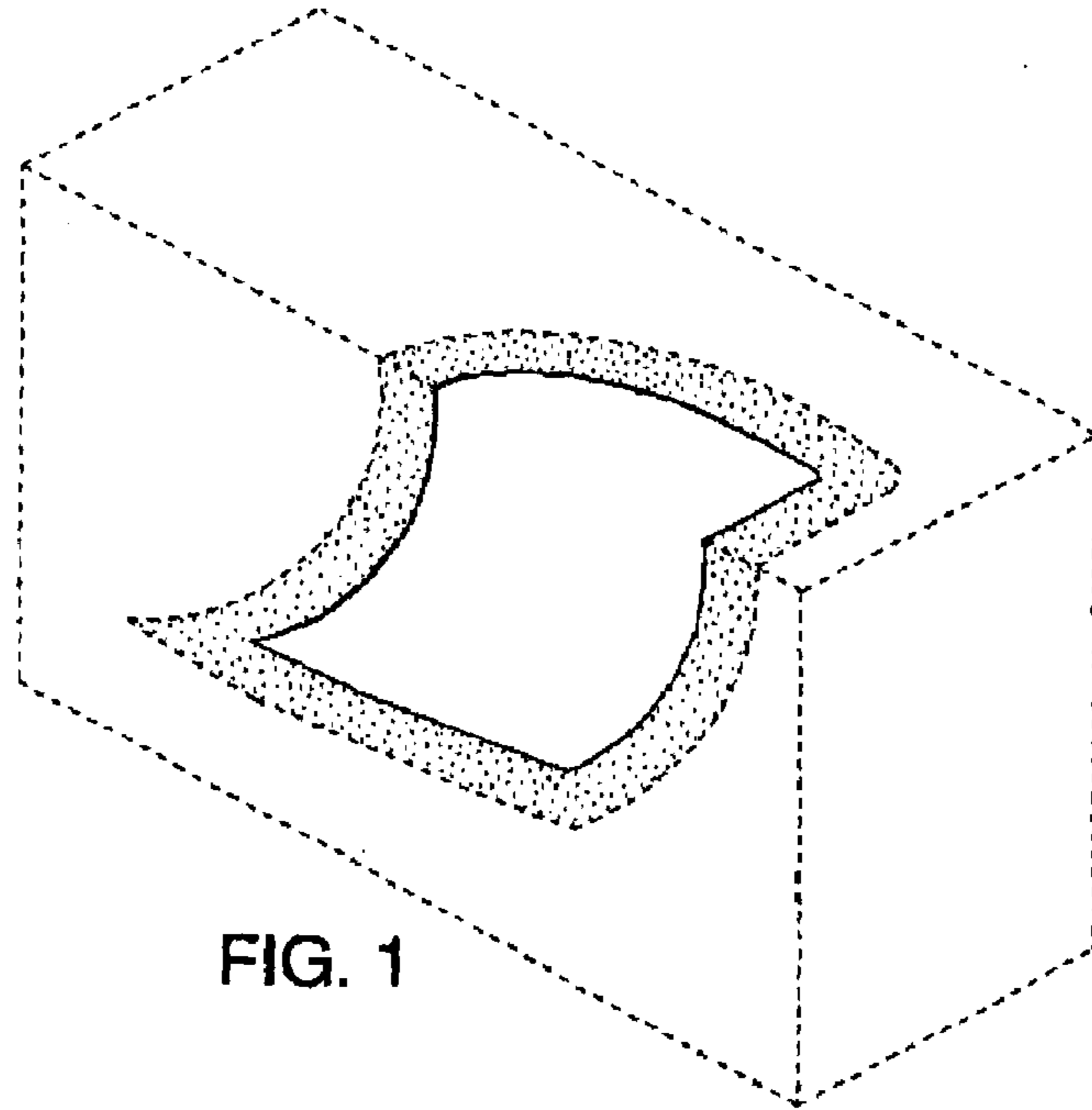


FIG. 1

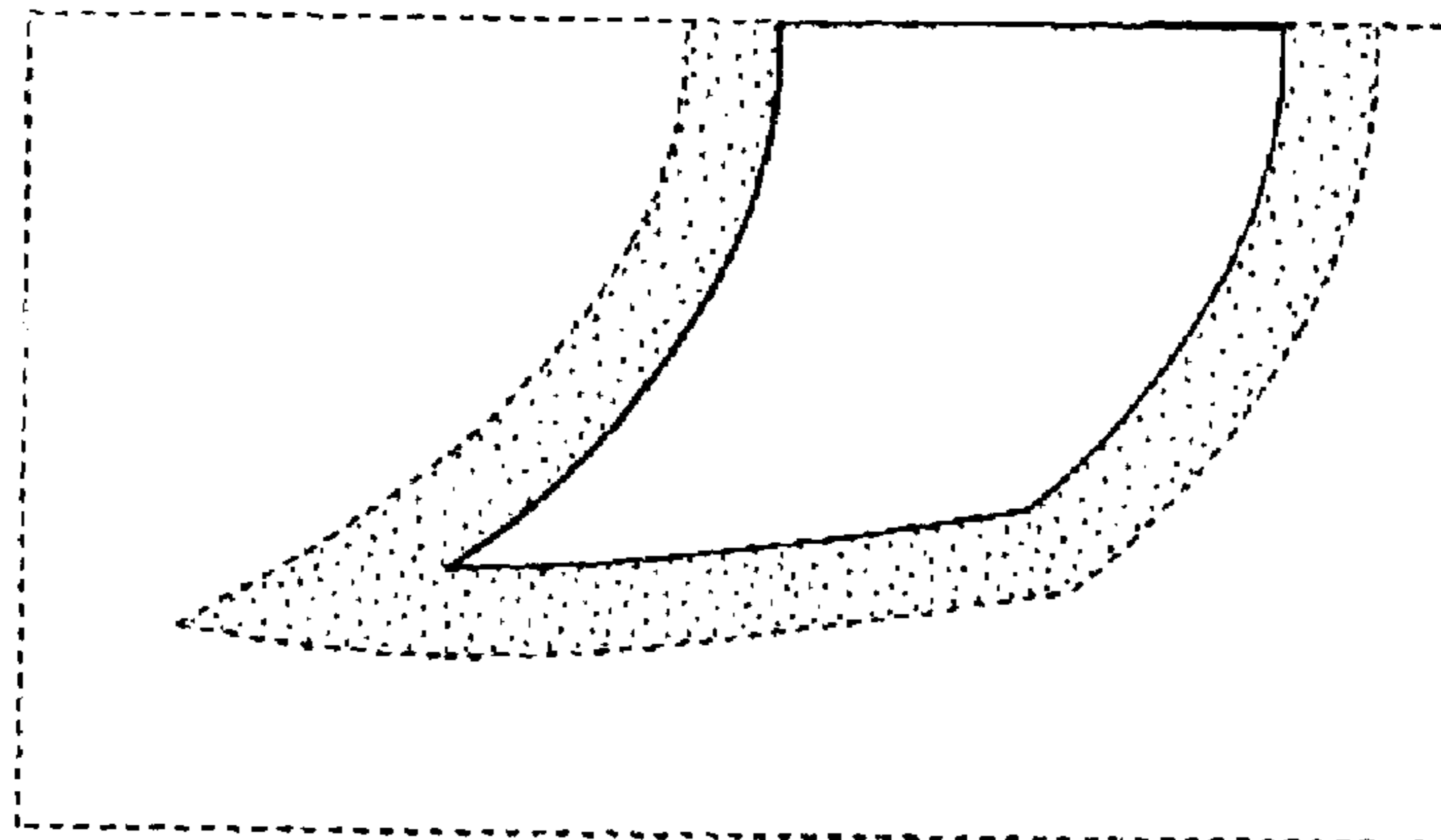


FIG. 2

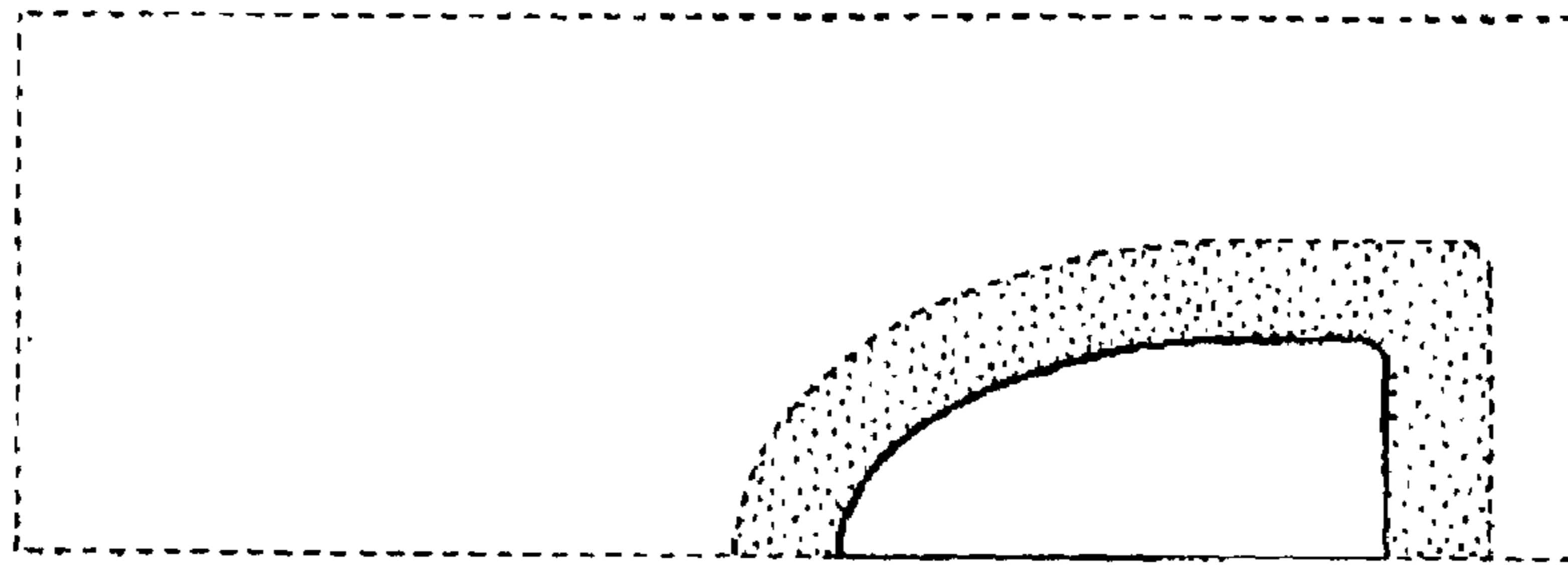


FIG. 3

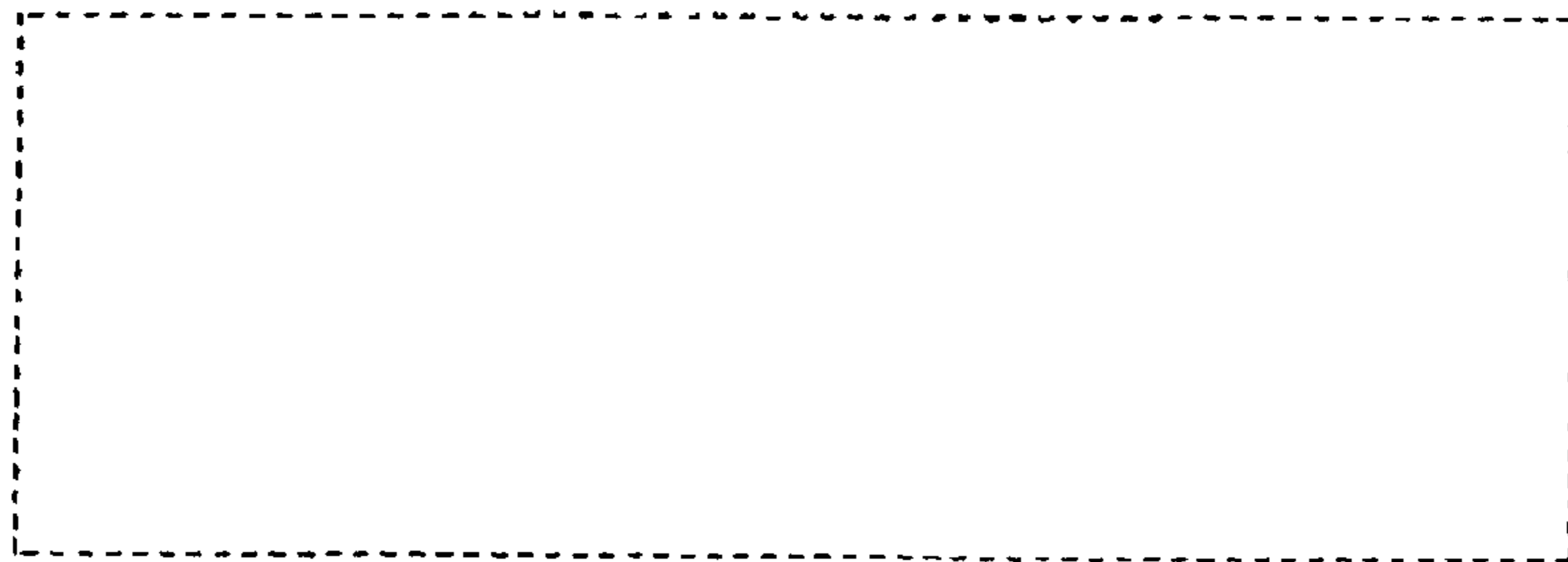


FIG. 4



FIG. 5

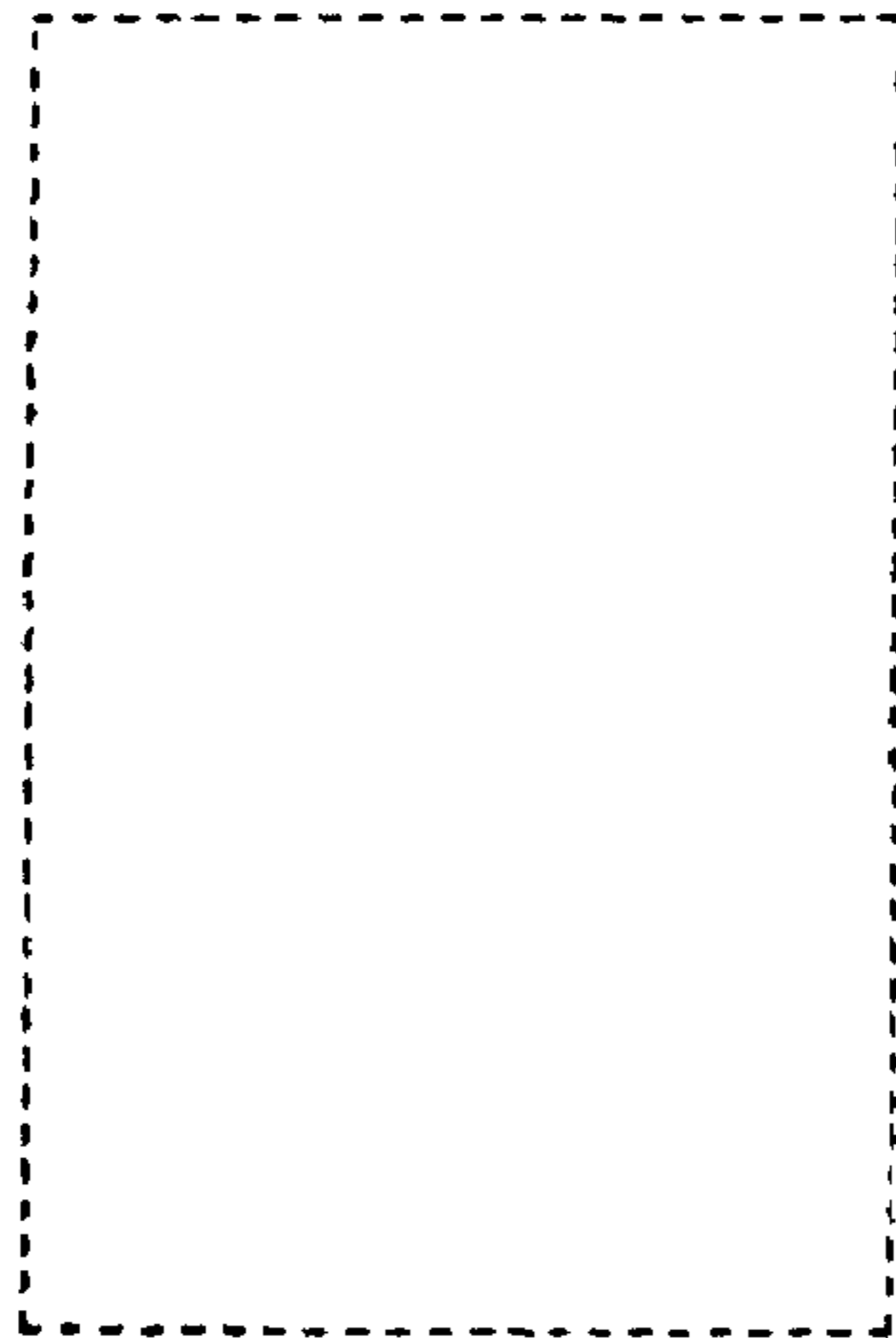


FIG. 6

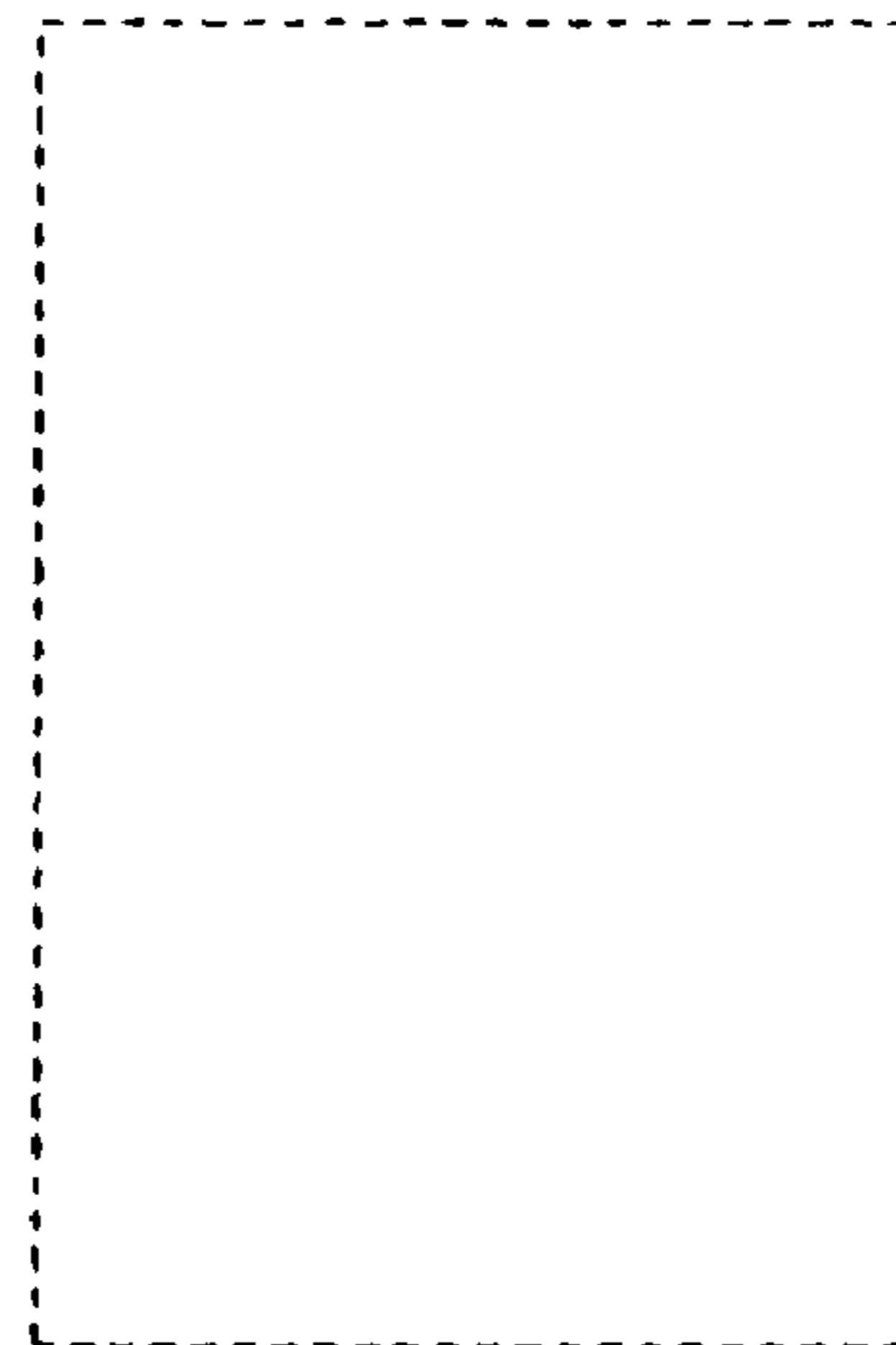


FIG. 7