



US00D576481S

(12) **United States Design Patent**
Kato et al.

(10) **Patent No.:** **US D576,481 S**
(45) **Date of Patent:** **** Sep. 9, 2008**

(54) **NUT**
(75) Inventors: **Kouichi Kato**, Kanagawa-ken (JP);
Shigeo Okada, Kanagawa-ken (JP)
(73) Assignee: **Piolax, Inc.**, Yokohama-shi,
Kanagawa-ken (JP)
(**) Term: **14 Years**

4,250,599 A * 2/1981 Nagashima et al. 24/326
4,440,535 A * 4/1984 Oehlke 411/112
4,925,351 A * 5/1990 Fisher 411/182
D350,474 S * 9/1994 Asami D8/397
5,694,719 A * 12/1997 Bejune et al. 49/502
5,857,735 A * 1/1999 Alonso Cuesta 296/214
5,919,019 A * 7/1999 Fischer 411/182
6,056,335 A * 5/2000 Dietrich 292/353
6,095,734 A * 8/2000 Postadan et al. 411/182

(Continued)

(21) Appl. No.: **29/287,432**

FOREIGN PATENT DOCUMENTS

(22) Filed: **Aug. 6, 2007**

AT 150784-0005 * 3/2004

(30) **Foreign Application Priority Data**

Feb. 8, 2007 (JP) 2007-002923

Primary Examiner—T. Chase Nelson

Assistant Examiner—Karen Acker

(74) *Attorney, Agent, or Firm*—McGinn IP Law Group,
PLLC

(51) **LOC (8) Cl.** **08-08**

(52) **U.S. Cl.** **D8/397**

(58) **Field of Classification Search** D8/382,
D8/387, 394, 397–399, 29; 81/121.1; 222/412;
411/81, 88, 90–93, 96–98, 103, 114, 106–108,
411/132–165, 172–189, 337, 338, 366.1–366.3,
411/368, 369, 371.2, 371.5, 418, 427, 429–432,
411/436, 437, 526, 531–538, 542, 544; D12/213
See application file for complete search history.

(57) **CLAIM**

The ornamental design for a nut, as shown and described.

(56) **References Cited**

U.S. PATENT DOCUMENTS

142,709 A * 9/1873 Loomis 411/165
476,241 A * 6/1892 Bouscaren 238/259
1,243,859 A * 10/1917 Neider 24/578.12
1,291,784 A * 1/1919 Dodds 411/372.6
2,200,702 A * 5/1940 Oddie 411/349
2,250,072 A * 7/1941 Tinnerman 411/549
2,295,480 A * 9/1942 Johnson 411/173
2,364,668 A * 12/1944 Simmons 411/437
2,367,659 A * 1/1945 Burke 411/436
2,404,236 A * 7/1946 Kost 411/173
2,430,555 A * 11/1947 Burke 411/173

DESCRIPTION

FIG. 1 is a perspective view of the front, left side and top of a nut showing our new design;

FIG. 2 is a perspective view of the front, left side and bottom thereof;

FIG. 3 is a front view thereof;

FIG. 4 is a rear view thereof;

FIG. 5 is a top plan view thereof;

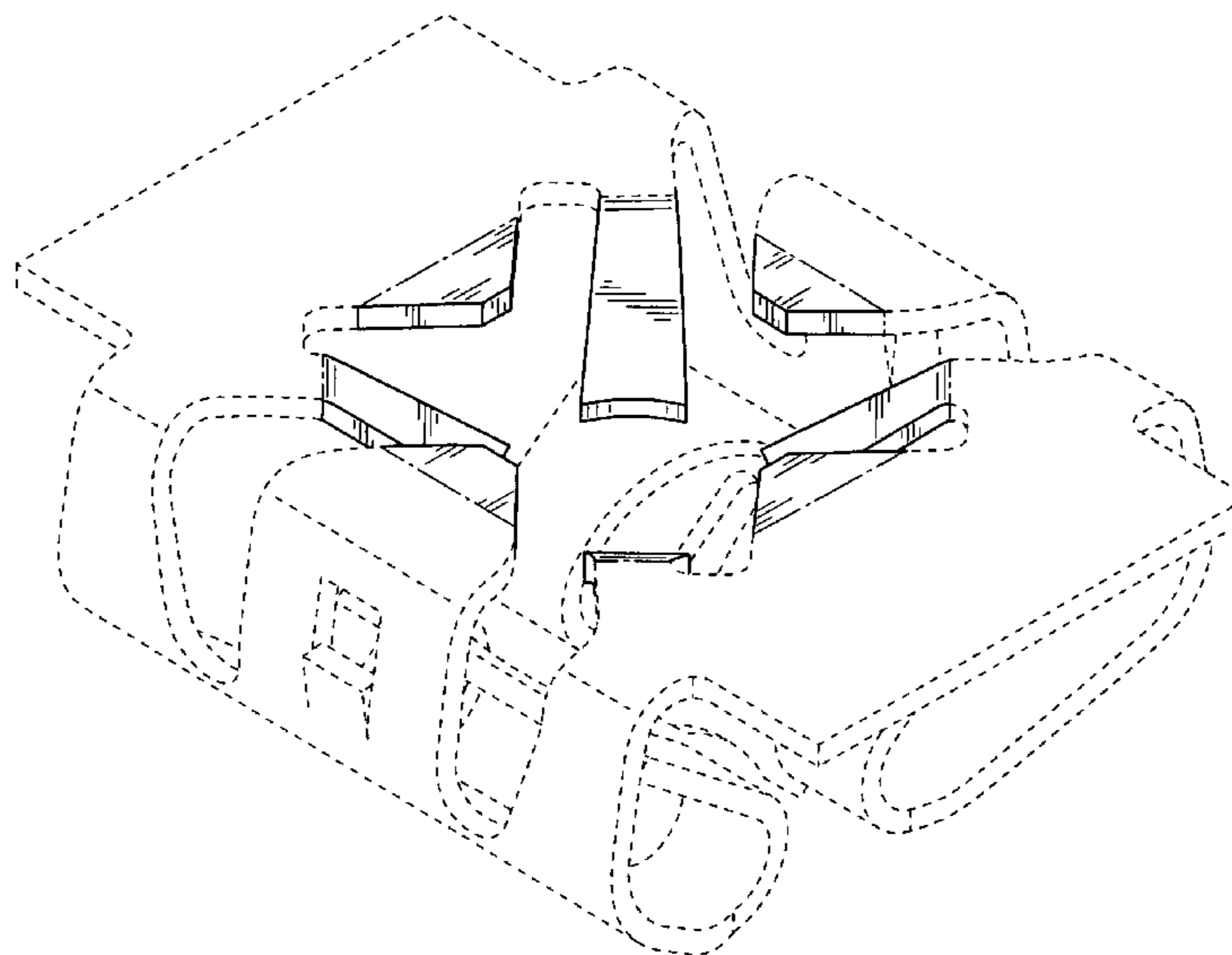
FIG. 6 is a bottom view thereof;

FIG. 7 is a left side view thereof; and,

FIG. 8 is a right side view thereof.

The elements shown in broken lines are for illustrative purposes only and form no part of the claimed design.

1 Claim, 6 Drawing Sheets



US D576,481 S

Page 2

U.S. PATENT DOCUMENTS

6,438,804	B1 *	8/2002	Romero Magarino	24/289	6,893,197	B2 *	5/2005	Lee	411/111
6,453,522	B1 *	9/2002	Romero Magarino et al. .	24/458	6,908,274	B1 *	6/2005	Vassiliou	411/437
6,454,507	B1 *	9/2002	Romero Magarino	411/508	6,976,292	B2 *	12/2005	MacPherson et al.	24/293
6,517,302	B2 *	2/2003	Lee	411/182	7,114,211	B2 *	10/2006	Gibbons et al.	24/289
6,644,713	B2 *	11/2003	Del Pozo		7,114,901	B2 *	10/2006	Maruyama et al.	411/353
			Abejon et al.	296/39.1	2002/0100146	A1 *	8/2002	Ko	24/295
6,773,051	B2 *	8/2004	Davey et al.	296/97.7	2002/0175529	A1 *	11/2002	Kwon	296/1.1
6,857,168	B2 *	2/2005	Lubera et al.	24/293	2005/0226700	A1 *	10/2005	Kosidlo et al.	411/173

* cited by examiner

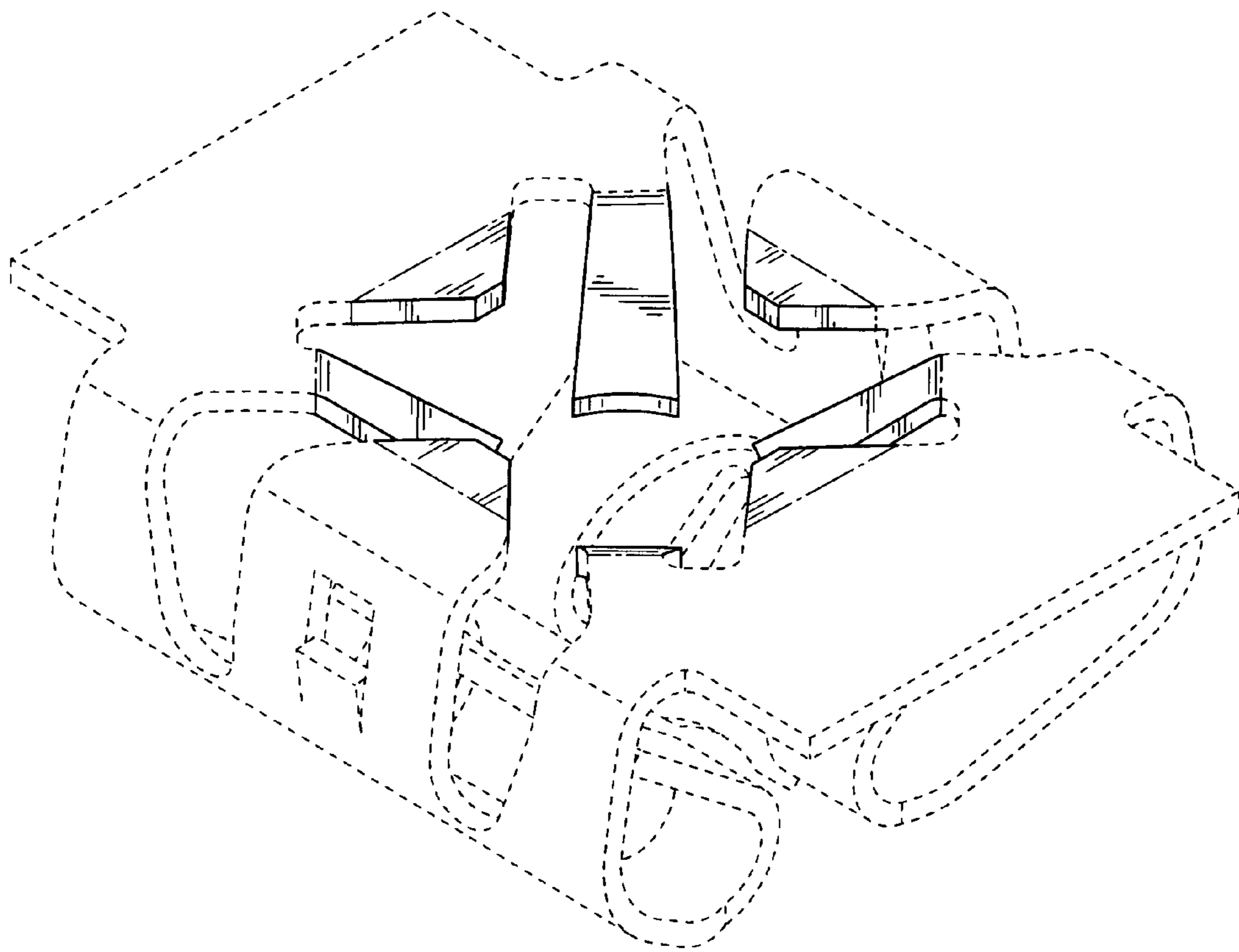


FIG. 1

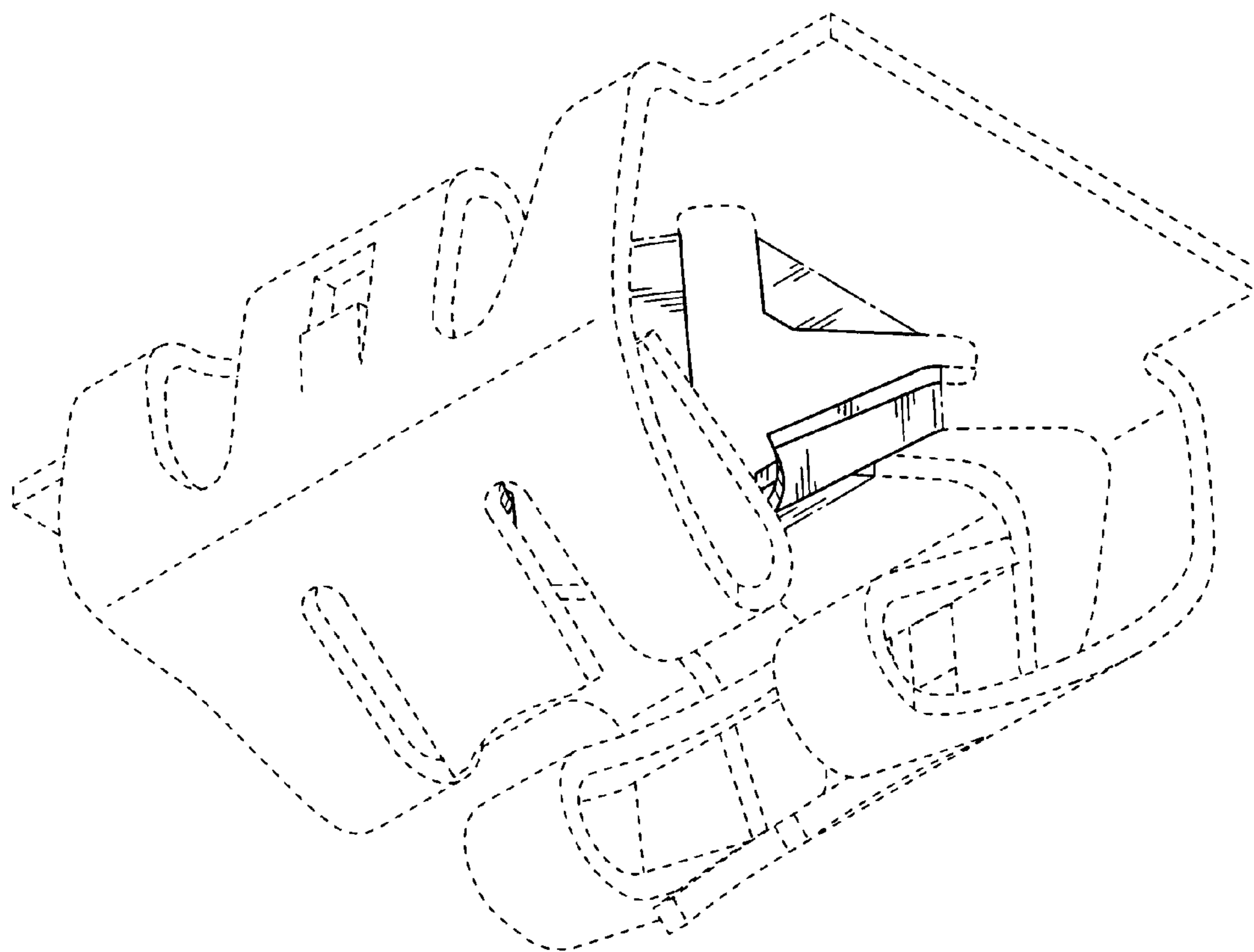


FIG. 2

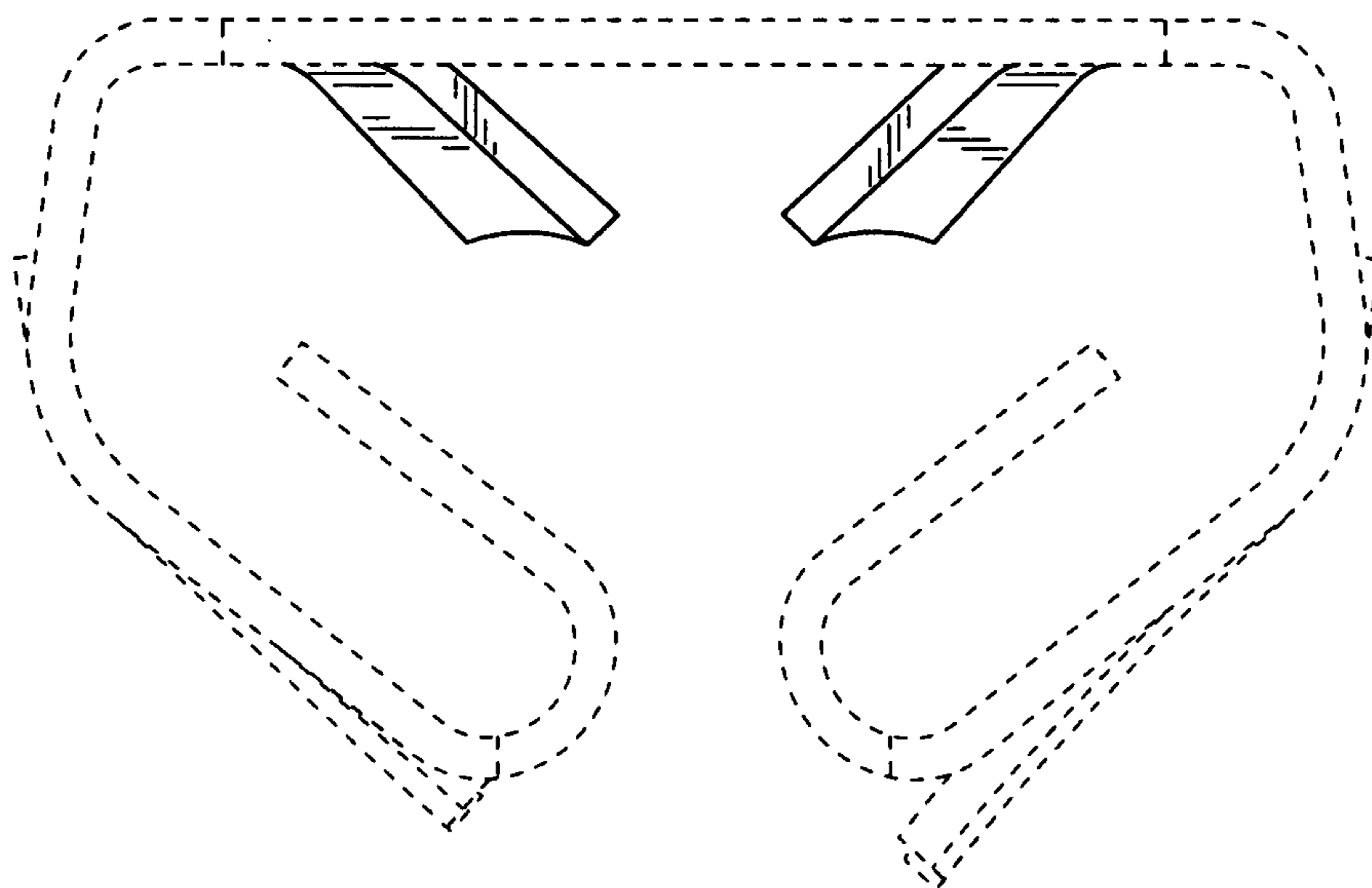


FIG. 3

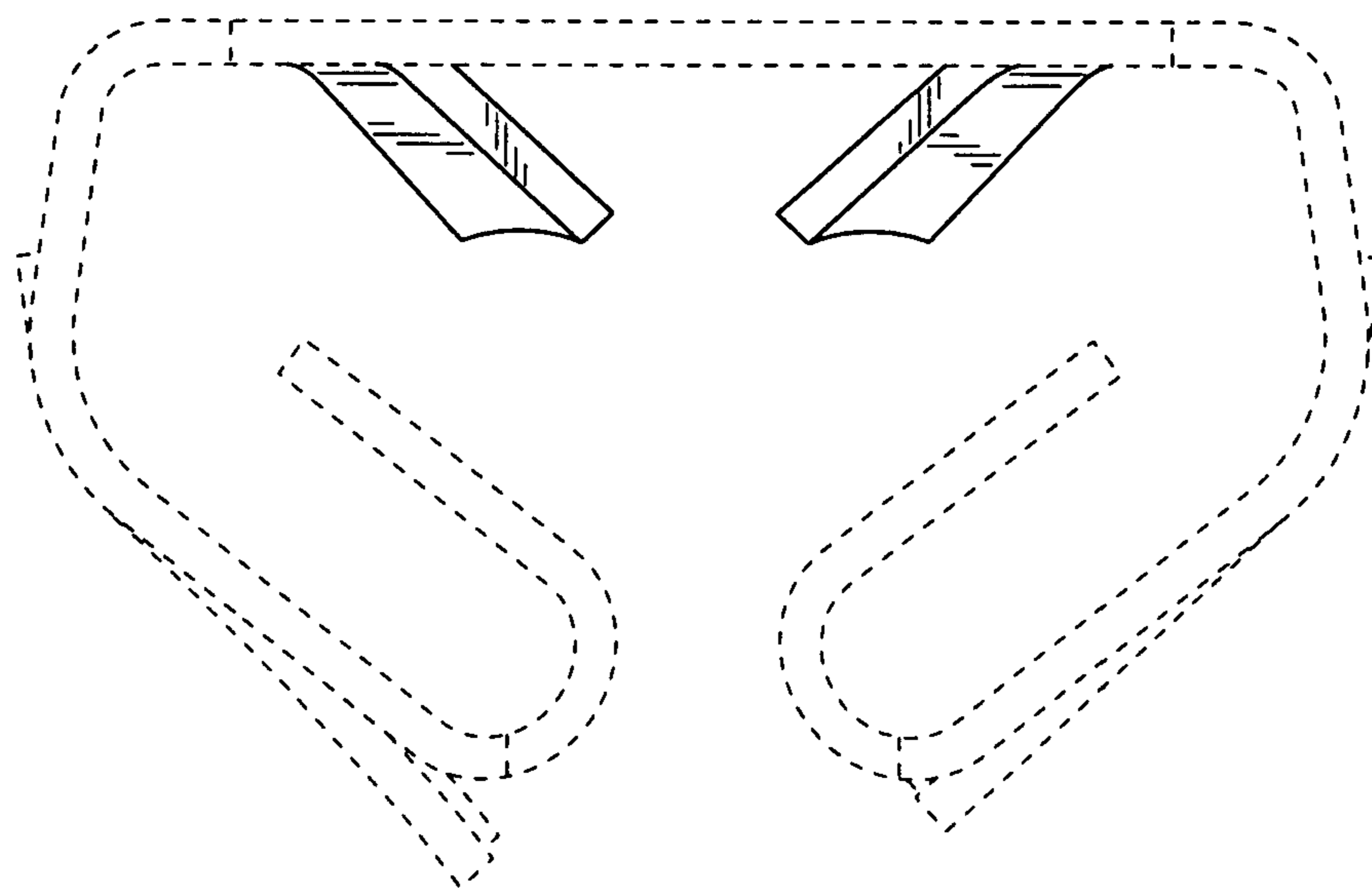


FIG. 4

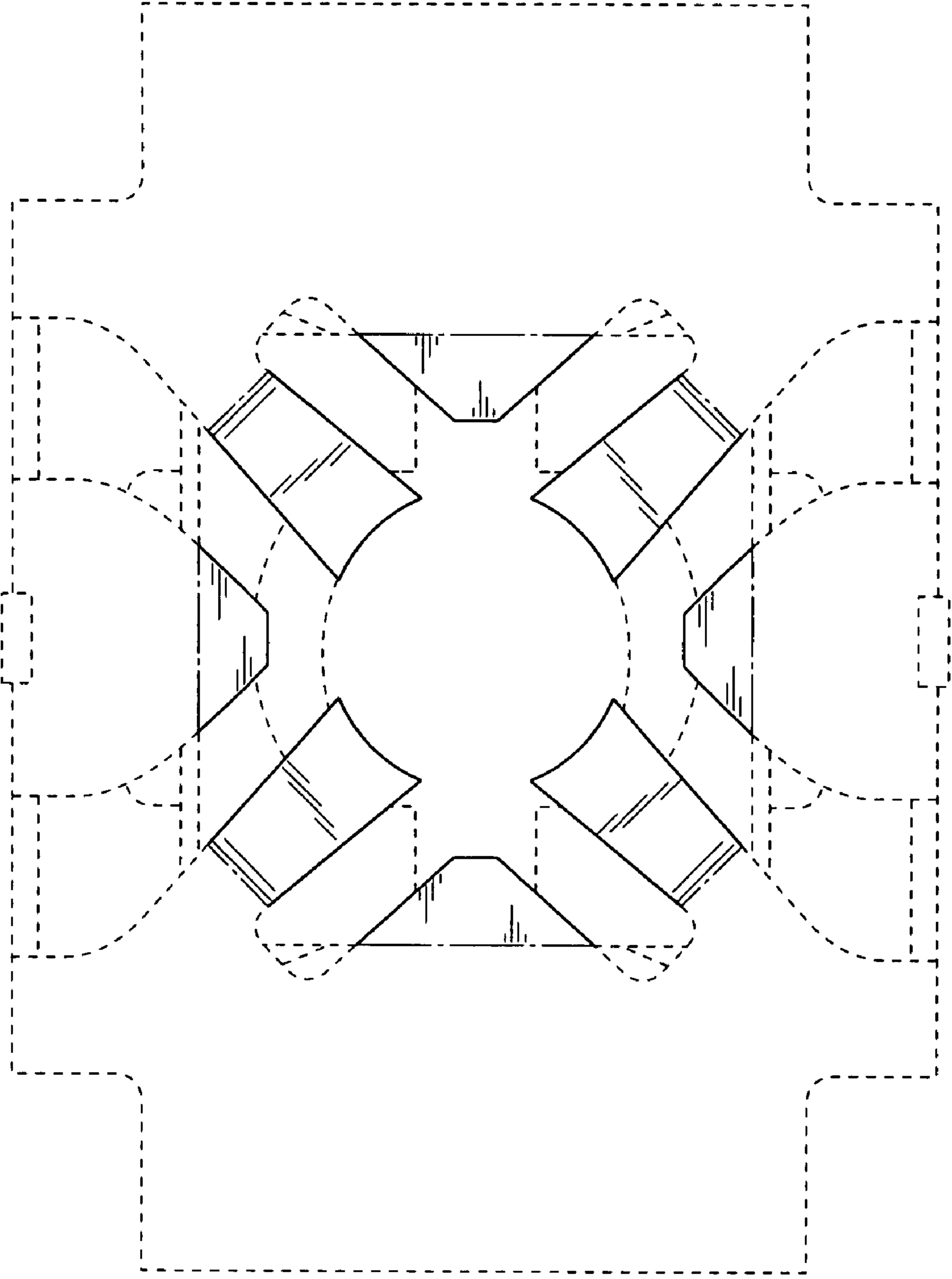


FIG. 5

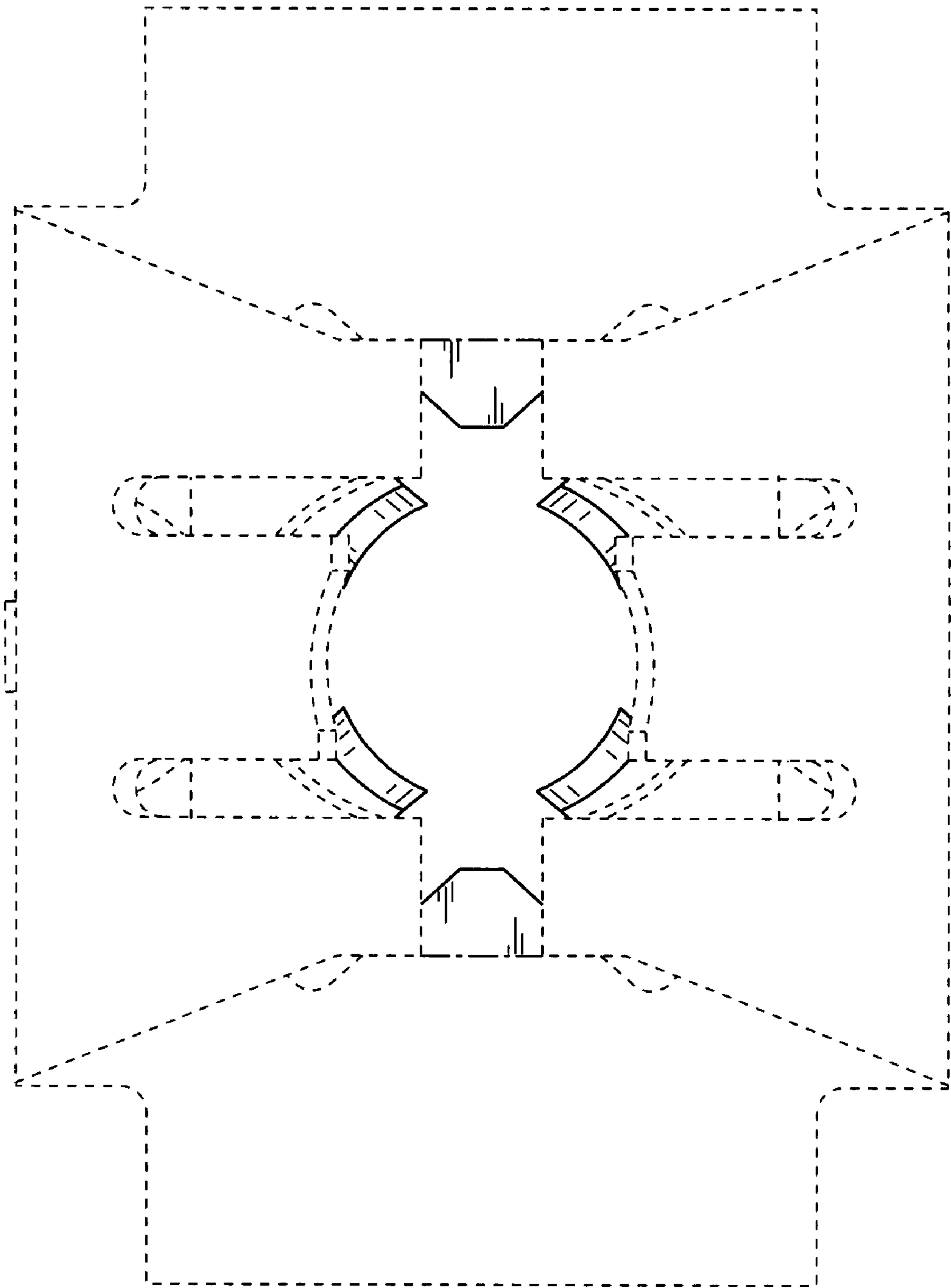


FIG. 6

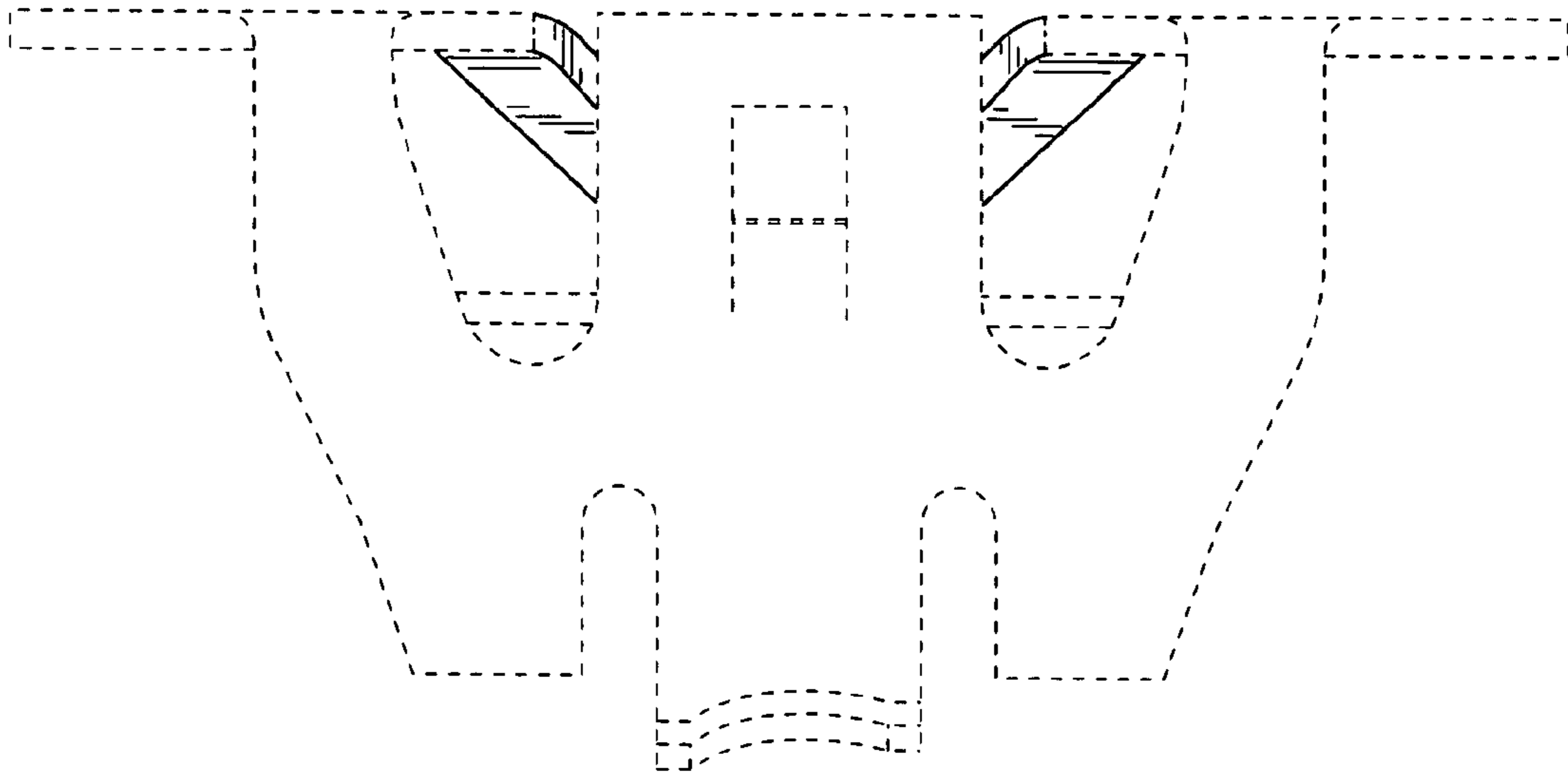


FIG. 7

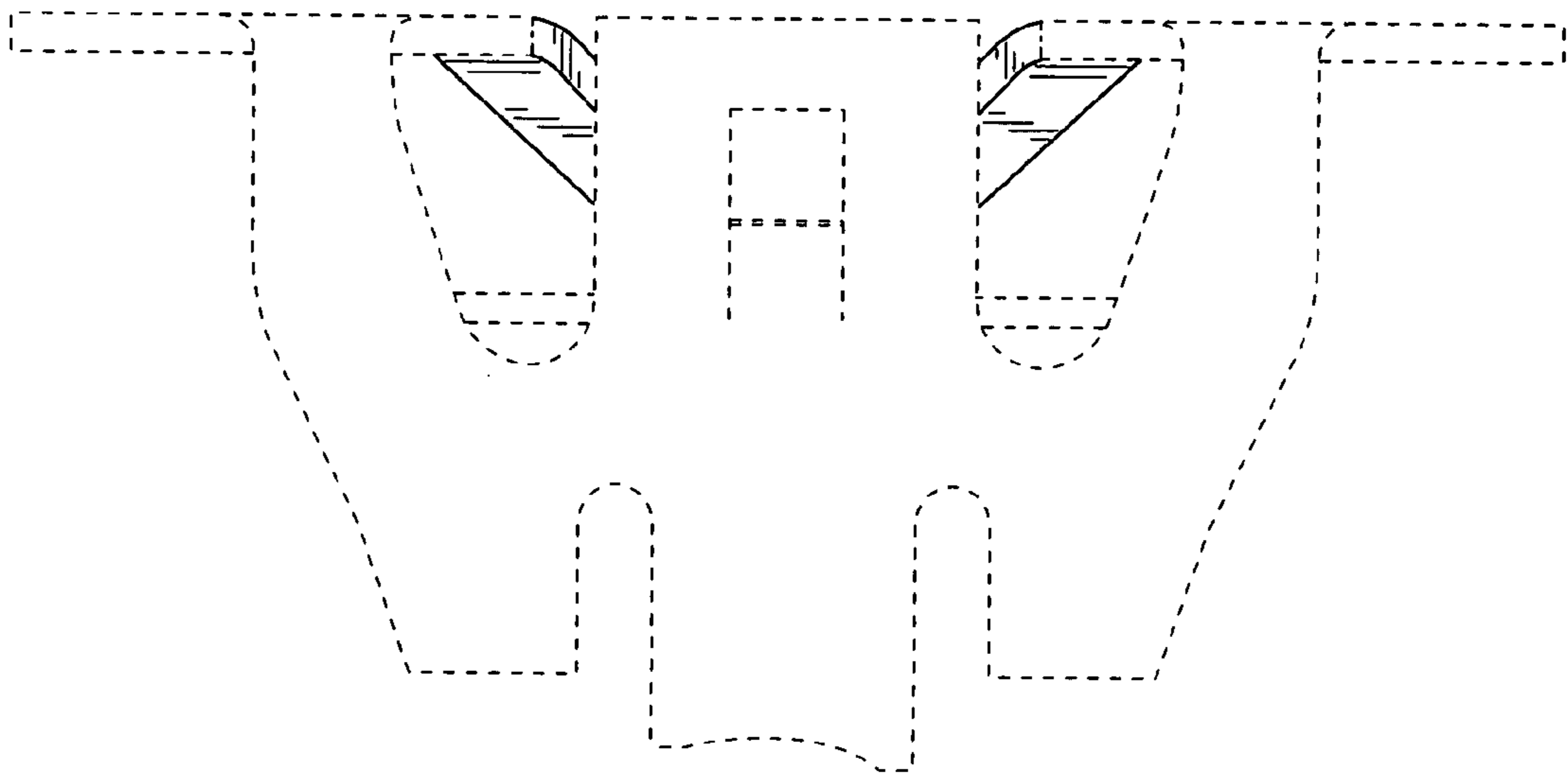


FIG. 8