



US00D576480S

(12) **United States Design Patent**  
**Vakiener et al.**

(10) **Patent No.:** **US D576,480 S**  
(45) **Date of Patent:** **\*\* Sep. 9, 2008**

(54) **ANAEROBIC WASHER**

3,117,611 A \* 1/1964 Matthews ..... 411/103  
3,362,737 A \* 1/1968 Cobb ..... 403/373

(75) Inventors: **Brian R. Vakiener**, Rocky Hill, CT (US); **Gary S. Tremley**, Plainville, CT (US); **Shabbir Attarwala**, Simsbury, CT (US); **Ifeanyi C. Broderick**, East Hampton, CT (US); **Andrew J. Bardon**, Fairfield, CT (US); **Avrie P. Malcolm**, Farmington, CT (US)

(Continued)

*Primary Examiner*—T. Chase Nelson  
*Assistant Examiner*—Karen Acker  
(74) *Attorney, Agent, or Firm*—Steven C. Bauman

(73) Assignee: **Henkel Corporation**, Rocky Hill, CT (US)

(57) **CLAIM**

The ornamental design for an anaerobic washer, as shown and described.

(\*\*) Term: **14 Years**

**DESCRIPTION**

(21) Appl. No.: **29/282,594**

FIG. 1 is a front, top perspective view of an anaerobic washer; FIG. 2 is a front view of the anaerobic washer, the rear, right-hand side and left-hand side views being mirror images thereof;

(22) Filed: **Jul. 25, 2007**

FIG. 3 is a top view of the anaerobic washer;

(51) **LOC (8) Cl.** ..... **08-08**

(52) **U.S. Cl.** ..... **D8/397**

(58) **Field of Classification Search** ..... D8/382, D8/387, 394, 397–399, 29; 81/121.1; 222/412; 411/81, 88, 90–93, 96–98, 103, 114, 106–108, 411/132–165, 172–189, 337, 338, 366.1–366.3, 411/368, 369, 371.2, 371.5, 418, 427, 429–432, 411/436, 437, 526, 531–538, 542, 544, 370, 411/372; D12/213

FIG. 4 is a bottom view of the anaerobic washer;

FIG. 5 is a front, top perspective view of a second embodiment of the anaerobic washer;

FIG. 6 is a front view of the second embodiment of the anaerobic washer, the rear, right-hand side and left-hand side views being mirror images thereof;

See application file for complete search history.

FIG. 7 is a top view of the second embodiment of the anaerobic washer;

(56) **References Cited**

**U.S. PATENT DOCUMENTS**

- 1,031,368 A \* 7/1912 Perry ..... 52/543
- 1,137,433 A \* 4/1915 Swartwood ..... 411/370
- 1,249,948 A \* 12/1917 Gruber ..... 228/136
- 1,320,259 A \* 10/1919 Nolan ..... 411/149
- 1,460,749 A \* 7/1923 Dull ..... 59/8
- 1,579,875 A \* 4/1926 Lundberg ..... 411/180
- 1,675,277 A \* 6/1928 Roe ..... 411/533
- 2,030,088 A \* 2/1936 Young ..... 411/371.2
- 2,439,516 A \* 4/1948 Holcomb ..... 174/159
- 2,867,874 A \* 1/1959 Larson ..... 24/115 K
- 3,009,381 A \* 11/1961 Rapata ..... 411/337
- 3,016,941 A \* 1/1962 Coldren ..... 411/134
- 3,090,203 A \* 5/1963 Durget ..... 405/259.4

FIG. 8 is a bottom view of the second embodiment of the anaerobic washer;

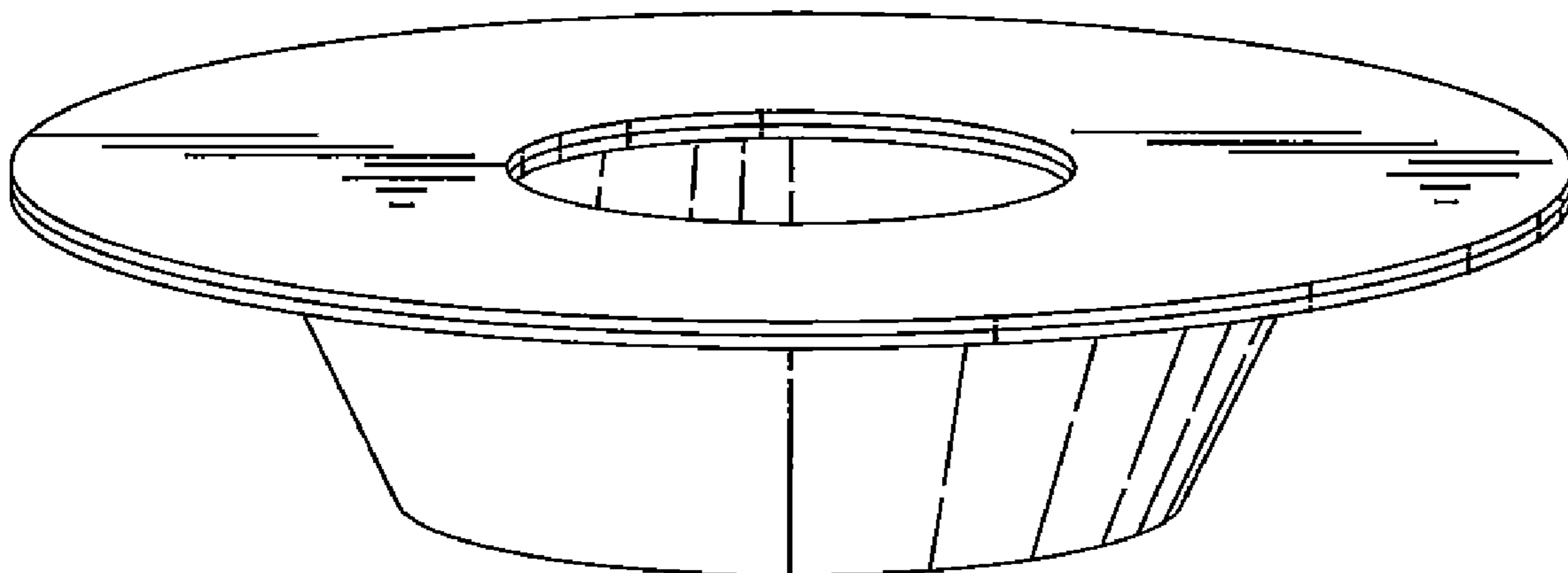
FIG. 9 is a front, top perspective view of a third embodiment of the anaerobic washer;

FIG. 10 is a front view of the third embodiment of the anaerobic washer, the rear, right-hand side and left-hand side views being mirror images thereof;

FIG. 11 is a top view of the third embodiment of the anaerobic washer; and,

FIG. 12 is a bottom view of the third embodiment of the anaerobic washer.

**1 Claim, 9 Drawing Sheets**



# US D576,480 S

Page 2

## U.S. PATENT DOCUMENTS

3,596,656	A *	8/1971	Kaute	606/65	5,423,858	A *	6/1995	Bolanos et al.	606/220
4,102,239	A *	7/1978	Dallas	411/531	5,517,883	A *	5/1996	Goldi et al.	81/57.37
4,292,876	A *	10/1981	De Graan	411/542	5,541,377	A *	7/1996	Stuhlmacher	200/296
4,347,024	A *	8/1982	Coldren	411/11	5,628,587	A *	5/1997	Lesslie	405/302.1
D275,452	S *	9/1984	Payne	D8/399	5,649,798	A *	7/1997	Ito	411/369
4,486,133	A *	12/1984	Pletcher	411/84	5,711,581	A *	1/1998	Plumer	301/35.632
D284,264	S *	6/1986	Resan	D8/382	5,833,422	A *	11/1998	Haga et al.	411/526
D284,265	S *	6/1986	Resan	D8/382	D482,270	S *	11/2003	Derilo	D8/397
4,793,757	A *	12/1988	Peterson	411/533	6,672,593	B2 *	1/2004	Smeltzer et al.	277/578
5,079,055	A *	1/1992	Doyle	428/36.2	RE39,499	E *	2/2007	Racz	604/534
5,256,020	A *	10/1993	Ikeda et al.	411/368	2004/0101383	A1 *	5/2004	Carr et al.	411/533
5,419,666	A *	5/1995	Best	411/373					

\* cited by examiner

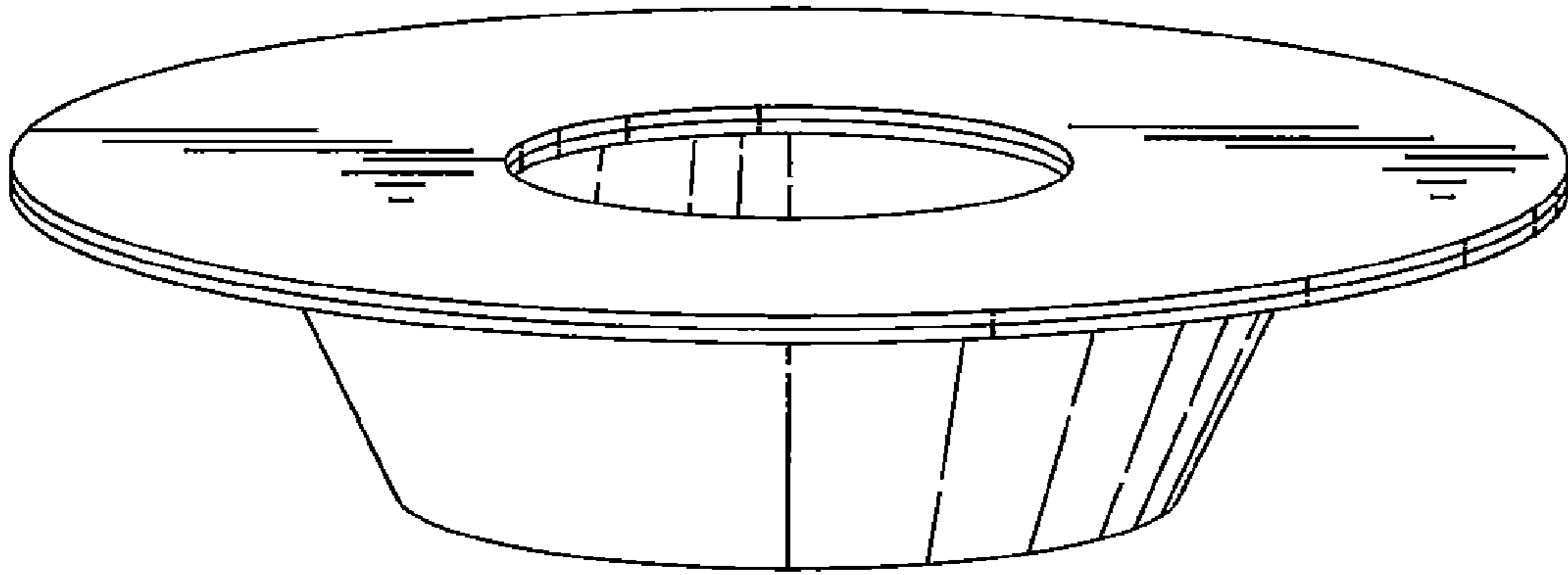


FIG. 1

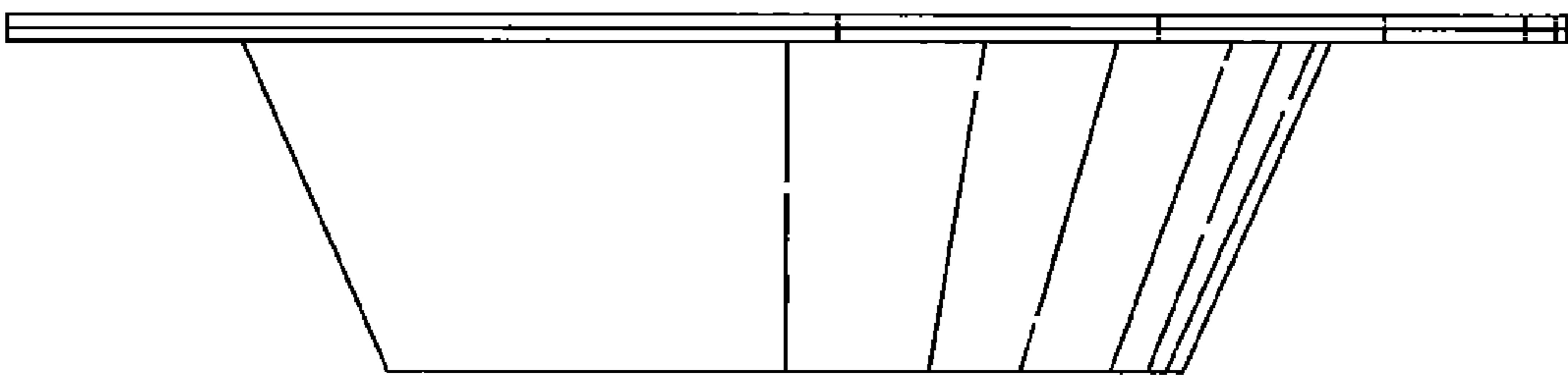


FIG. 2

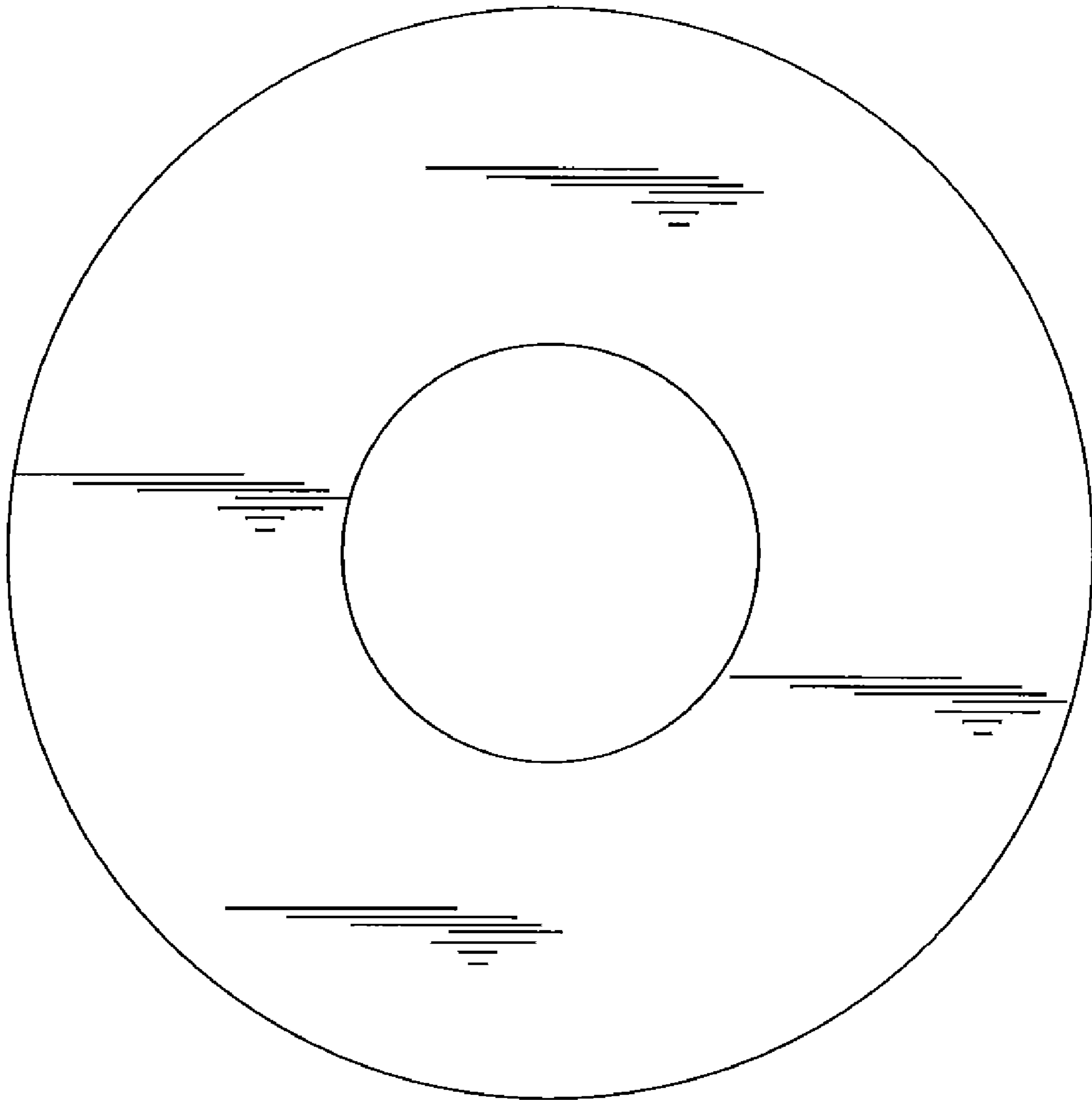


FIG. 3

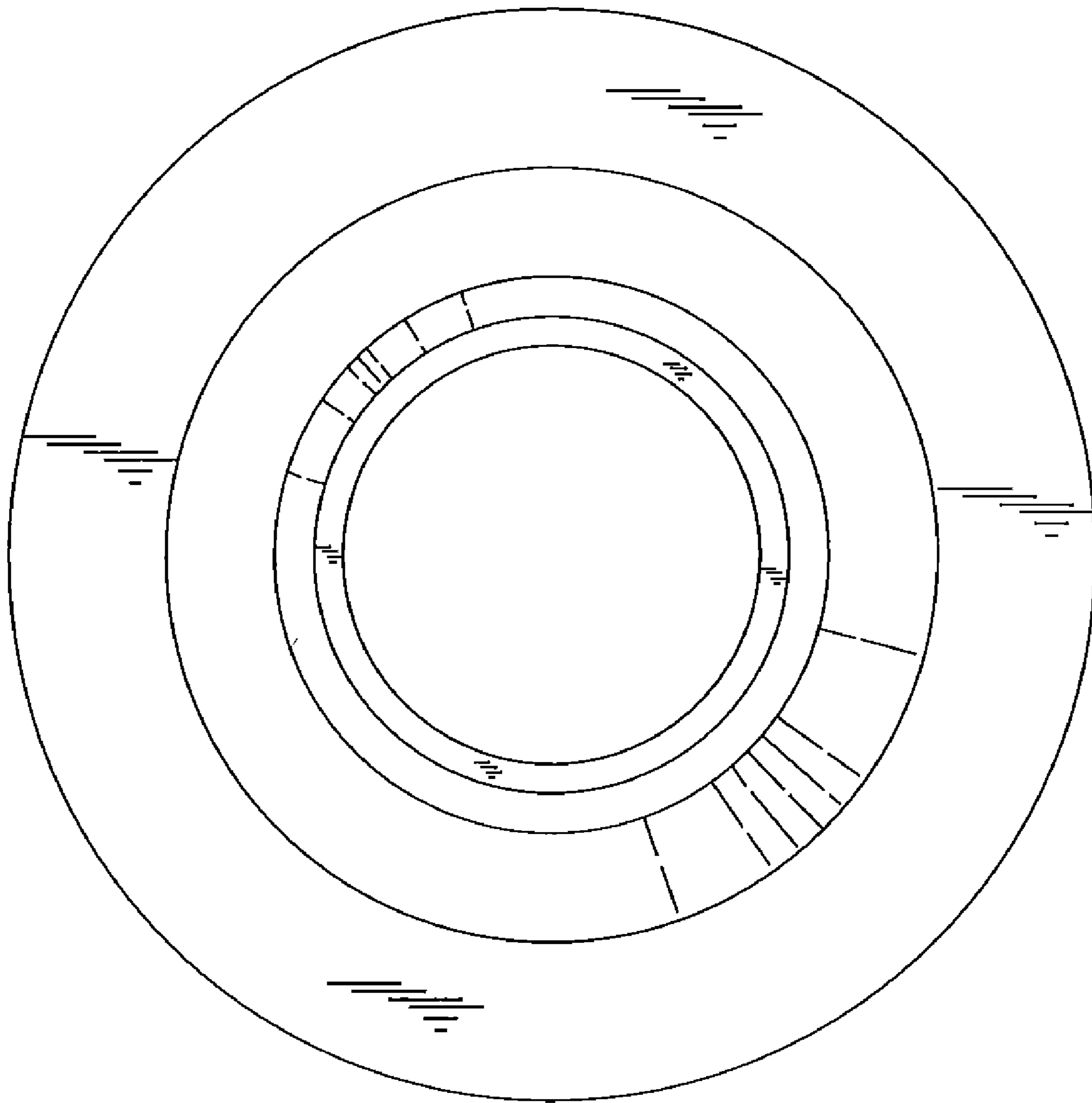


FIG. 4

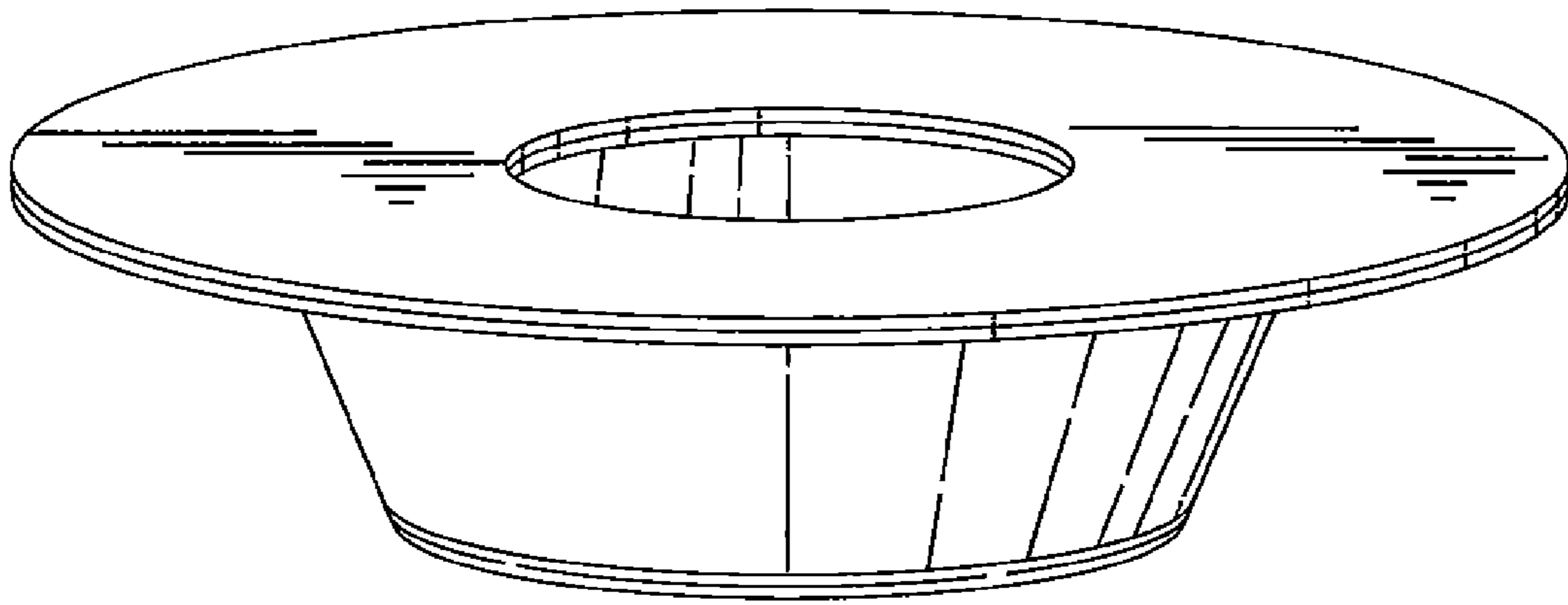


FIG. 5

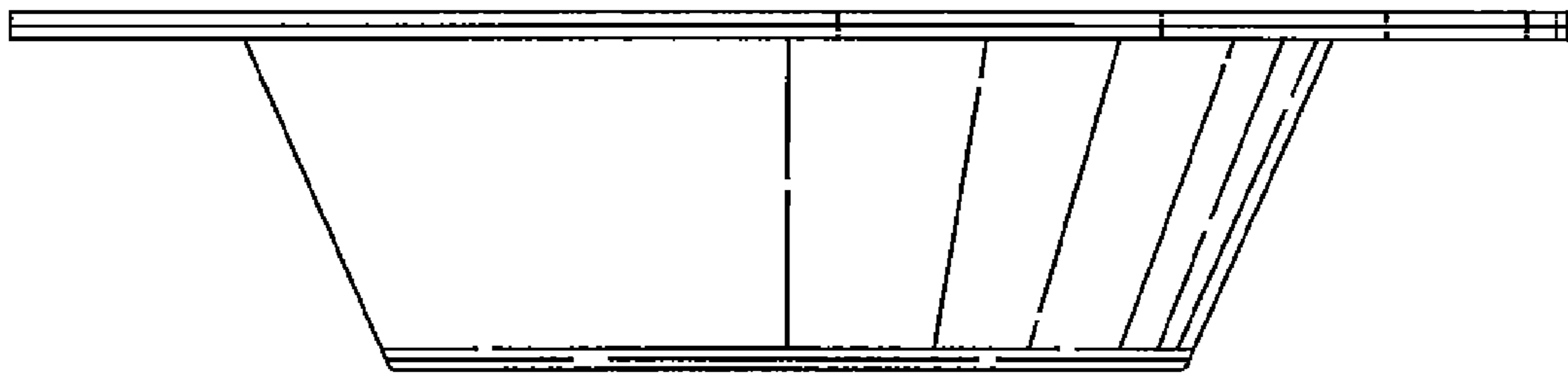


FIG. 6

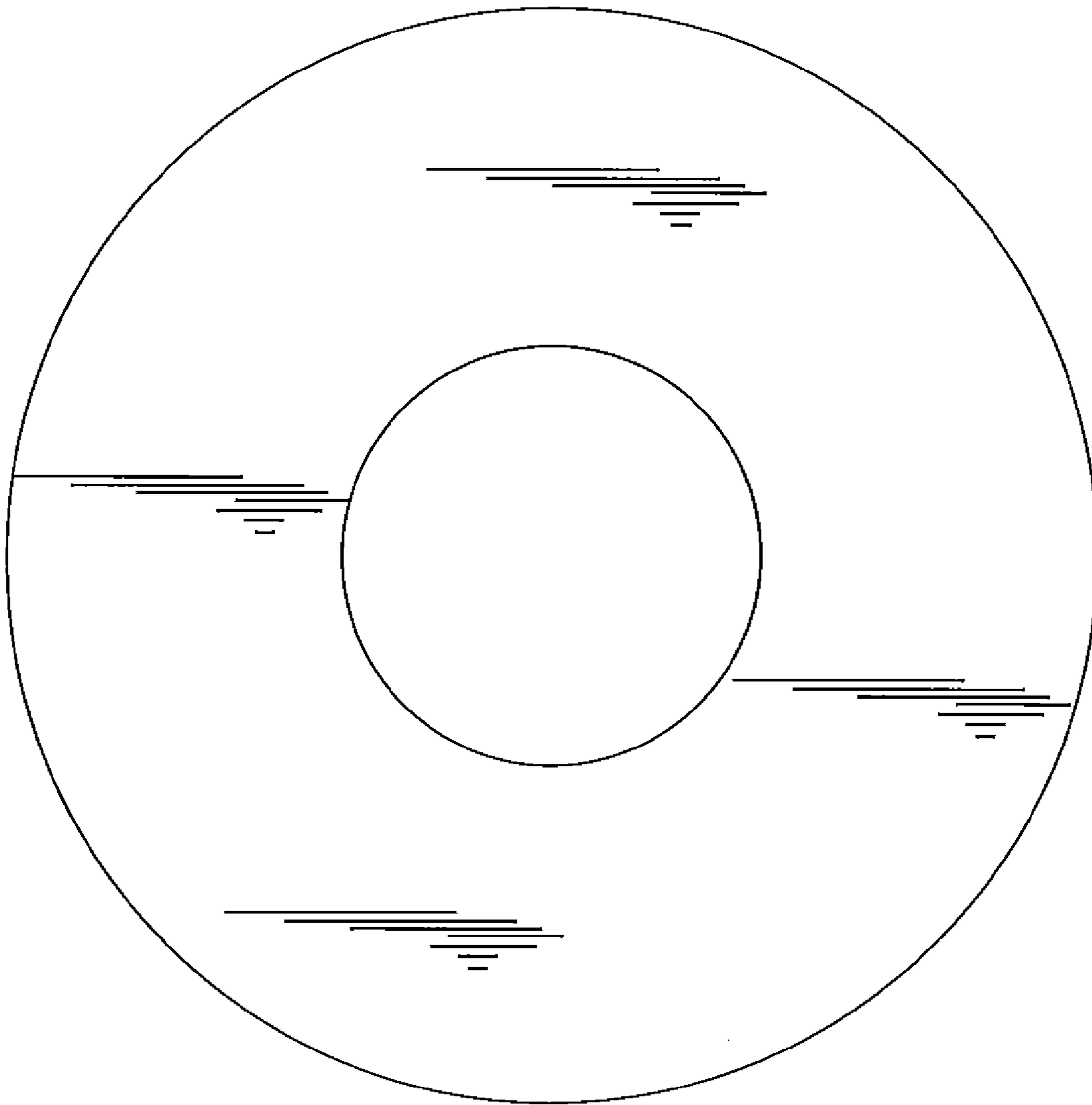


FIG. 7

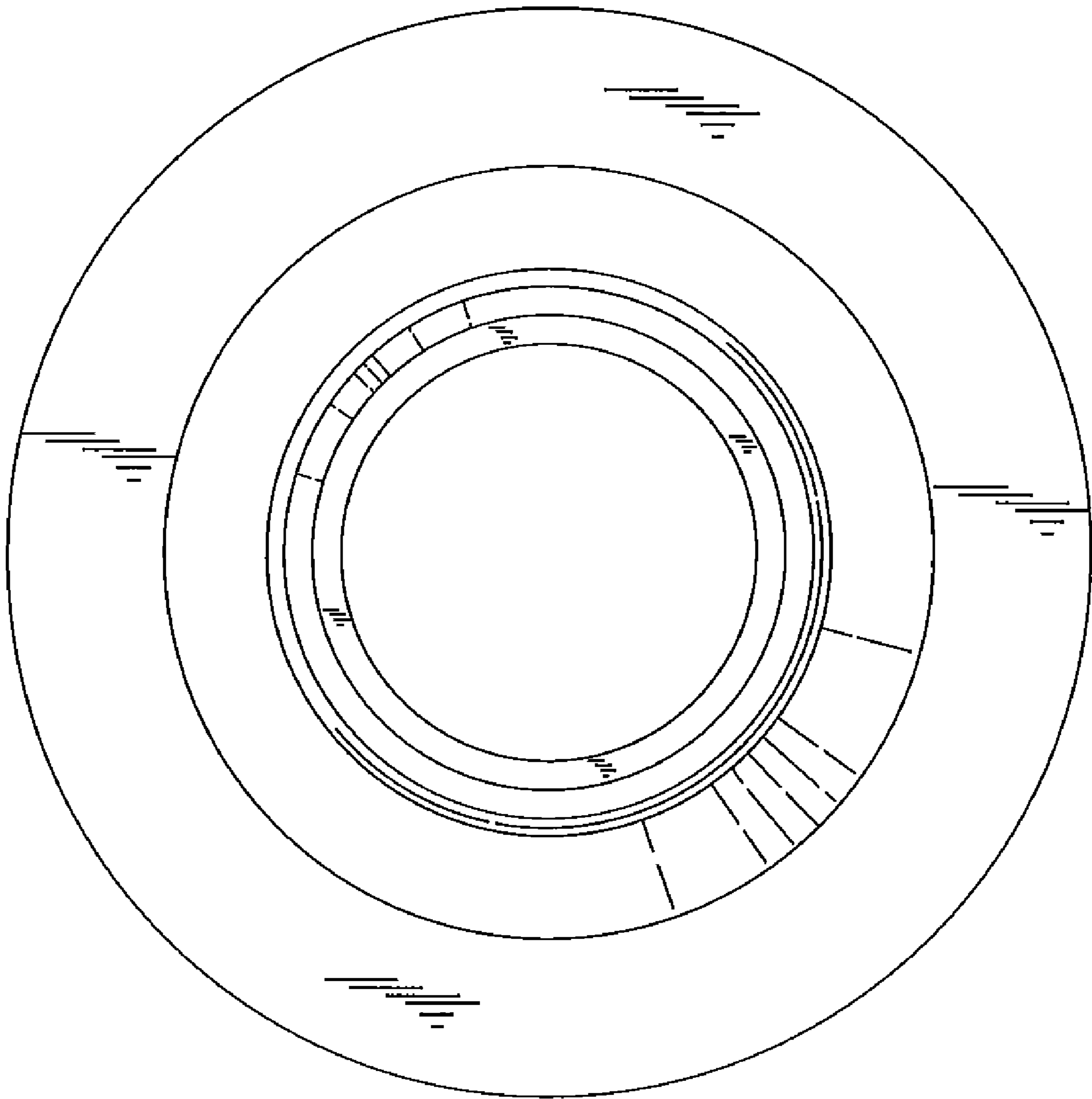


FIG. 8



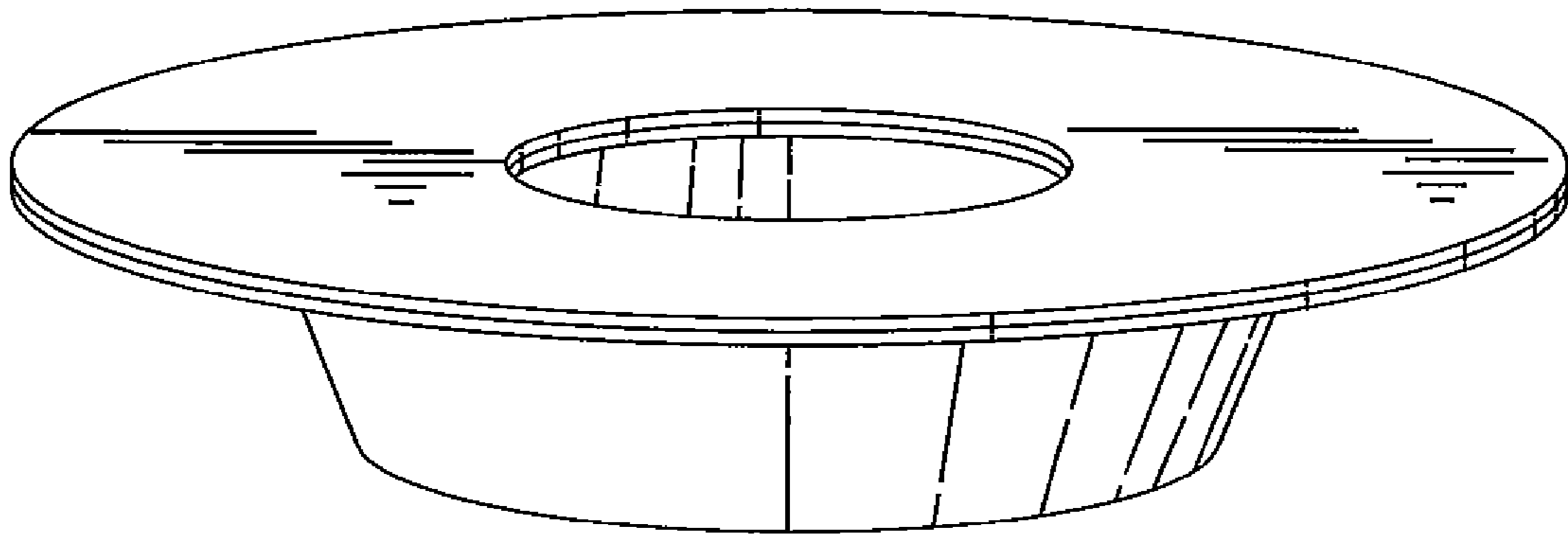


FIG. 9

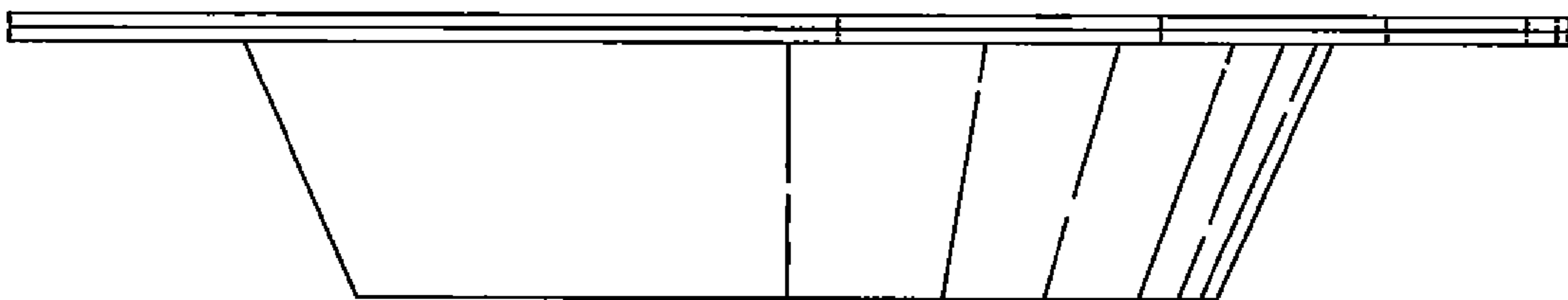


FIG. 10

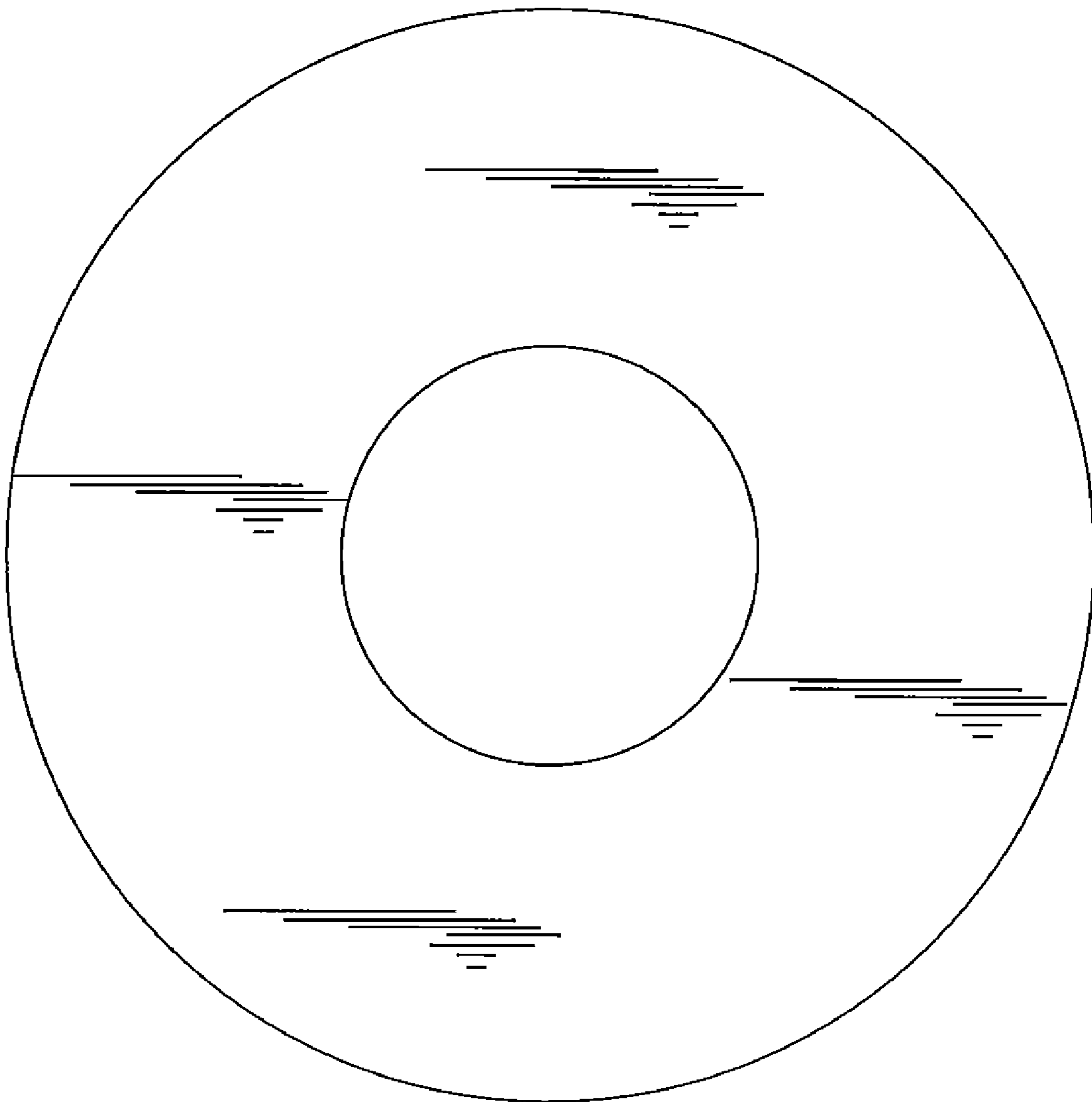


FIG. 11

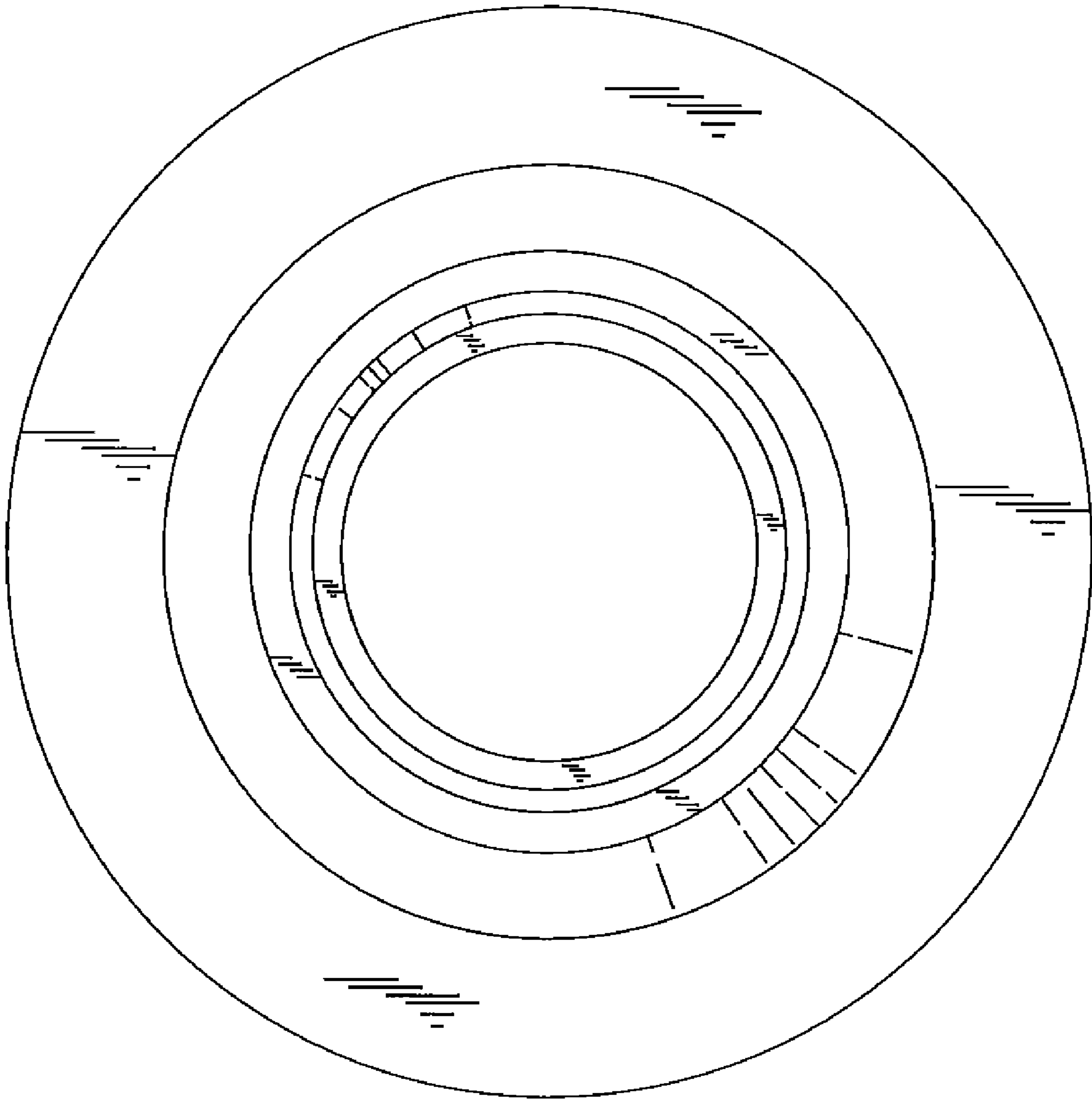


FIG. 12