

US00D576478S

(12) **United States Design Patent**
Mead et al.

(10) **Patent No.:** **US D576,478 S**

(45) **Date of Patent:** **** Sep. 9, 2008**

(54) **WIRING CLIP**

(75) Inventors: **John Thomas Mead**, Benicia, CA (US);
Robert H J Miros, Fairfax, CA (US)

(73) Assignee: **SunLink Corporation**, San Rafael, CA
(US)

(**) Term: **14 Years**

(21) Appl. No.: **29/308,188**

(22) Filed: **Jun. 3, 2008**

(51) **LOC (8) Cl.** **08-08**

(52) **U.S. Cl.** **D8/395**

(58) **Field of Classification Search** D8/394-396,
D8/72; D19/56, 65; 24/67.3, 335; D32/60-64;
D13/199; 248/68.1; 174/48

See application file for complete search history.

(56) **References Cited**

U.S. PATENT DOCUMENTS

2,467,604	A *	4/1949	Tinnerman et al.	403/387
D186,435	S *	10/1959	Wilson	D8/395
3,312,444	A *	4/1967	De Sena	248/231.81
3,606,223	A *	9/1971	Havener	248/205.1
3,720,395	A *	3/1973	Schuplin	248/228.7
3,877,112	A *	4/1975	Pestka	174/51

D257,325	S *	10/1980	Jones	D8/400
4,741,590	A *	5/1988	Caron	385/60
4,940,423	A *	7/1990	Aihara et al.	439/369
5,188,318	A *	2/1993	Newcomer et al.	248/68.1
D359,726	S *	6/1995	Umeya et al.	D13/199
D377,754	S *	2/1997	Abbott et al.	D8/395
D553,970	S *	10/2007	Allsopp	D8/395

* cited by examiner

Primary Examiner—Robert M. Spear

Assistant Examiner—John Windmuller

(74) *Attorney, Agent, or Firm*—Reed Smith LLP

(57) **CLAIM**

We claim the ornamental design for a wiring clip, as shown and described.

DESCRIPTION

FIG. 1 is a front perspective view of a wiring clip;

FIG. 2 is a rear perspective view thereof;

FIG. 3 is a front side view thereof;

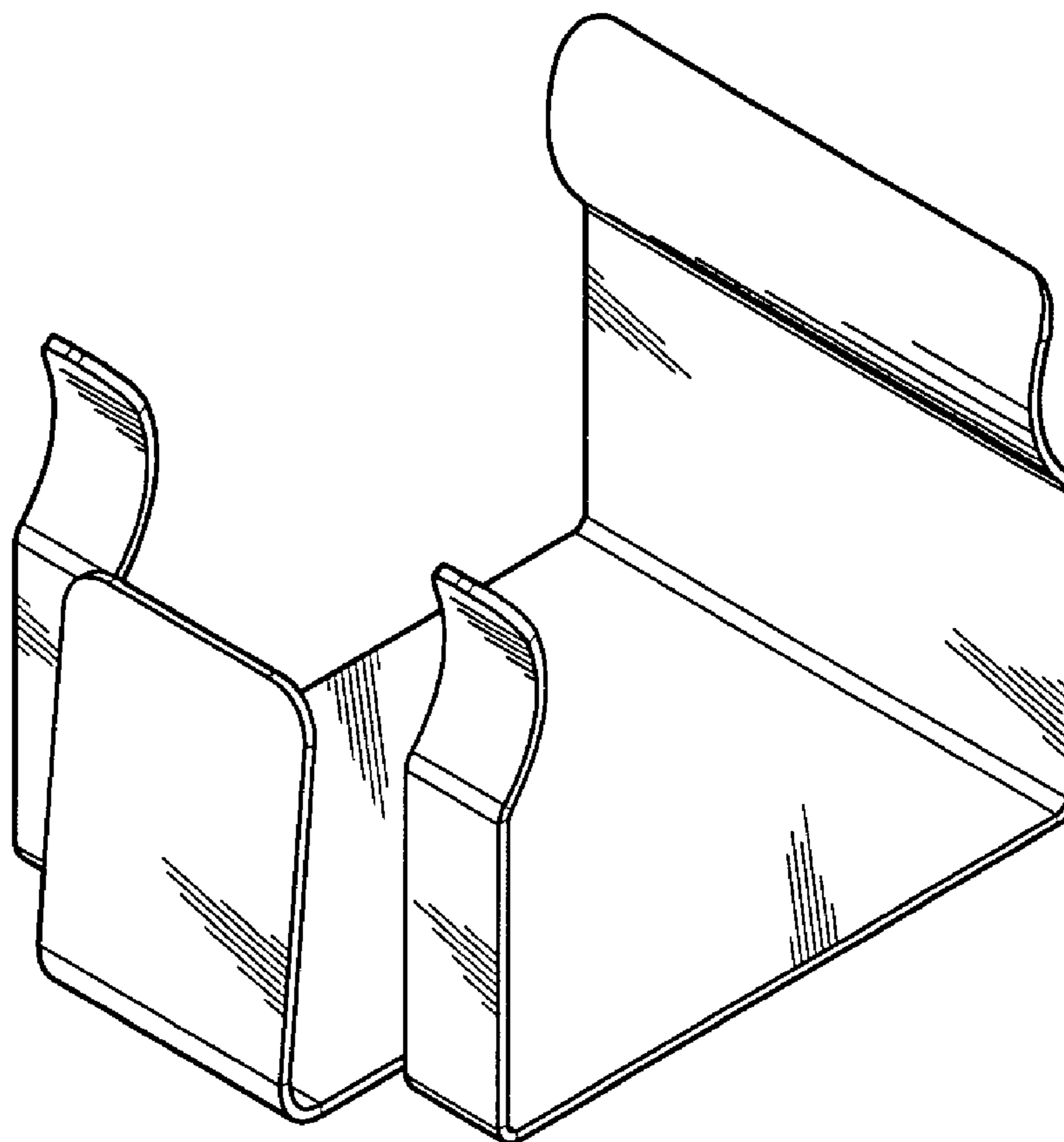
FIG. 4 is a bottom view thereof;

FIG. 5 is a right side view thereof;

FIG. 6 is a rear view thereof; and,

FIG. 7 is a top view thereof.

1 Claim, 7 Drawing Sheets



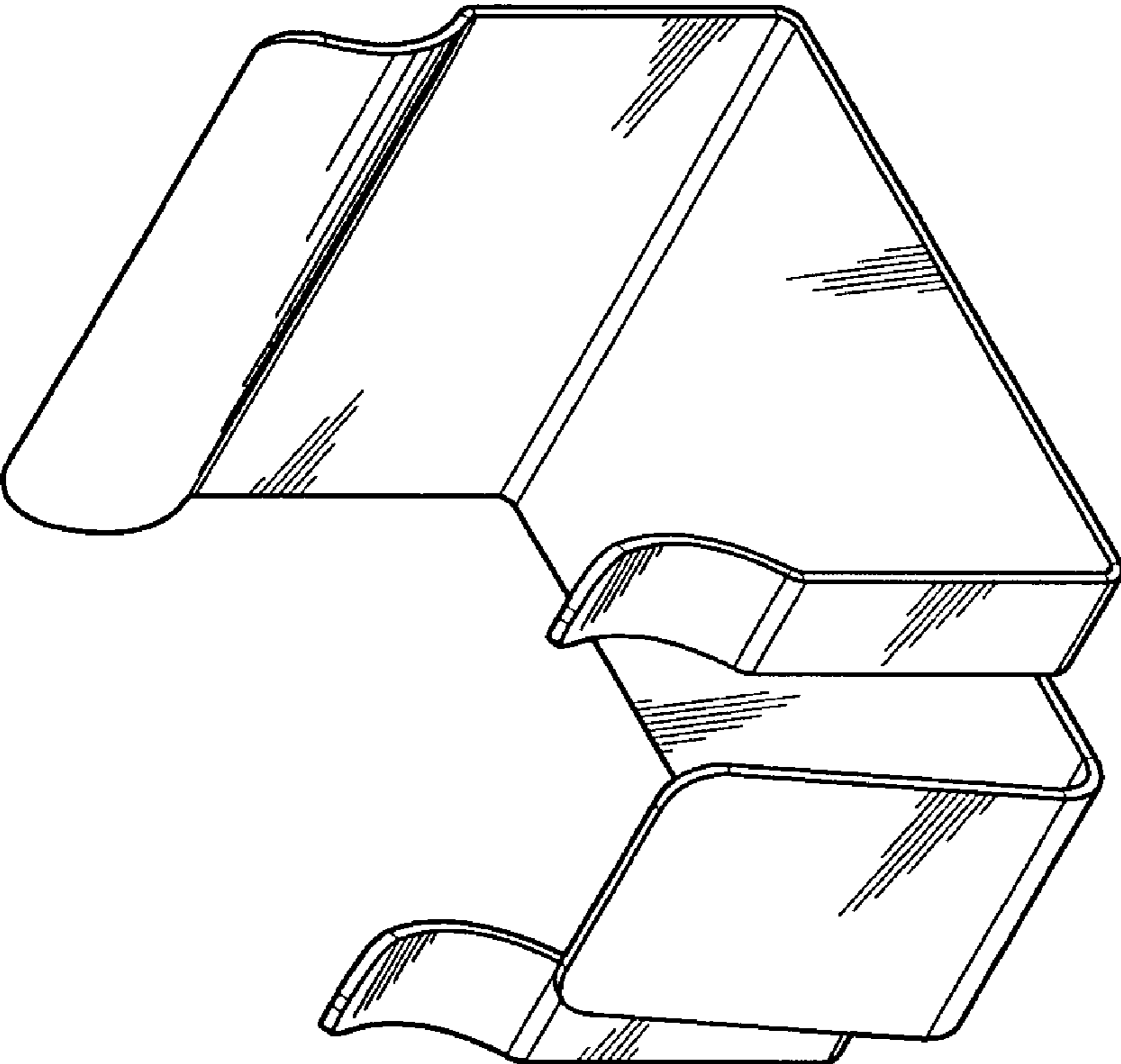


FIG. 1

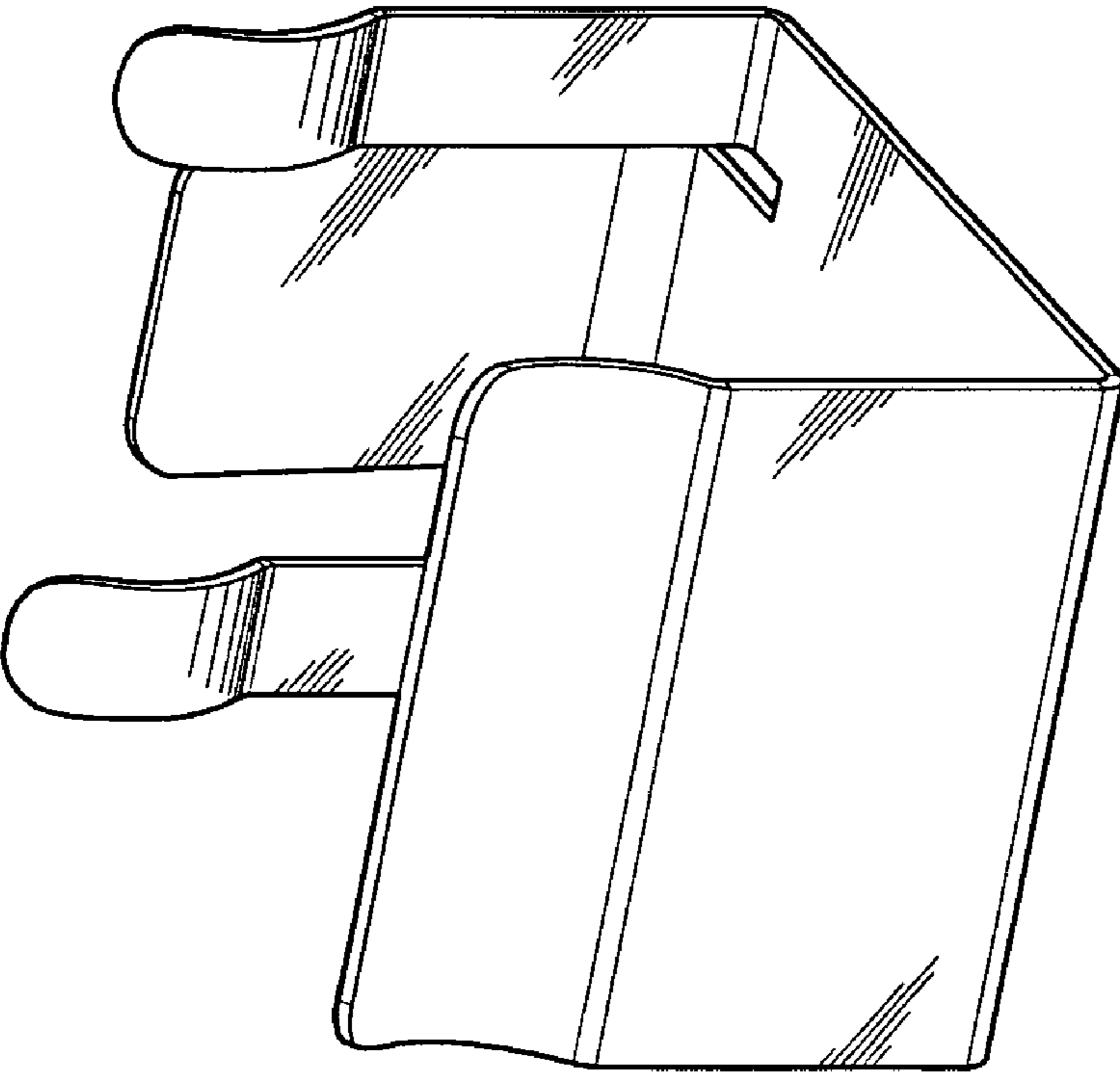


FIG. 2

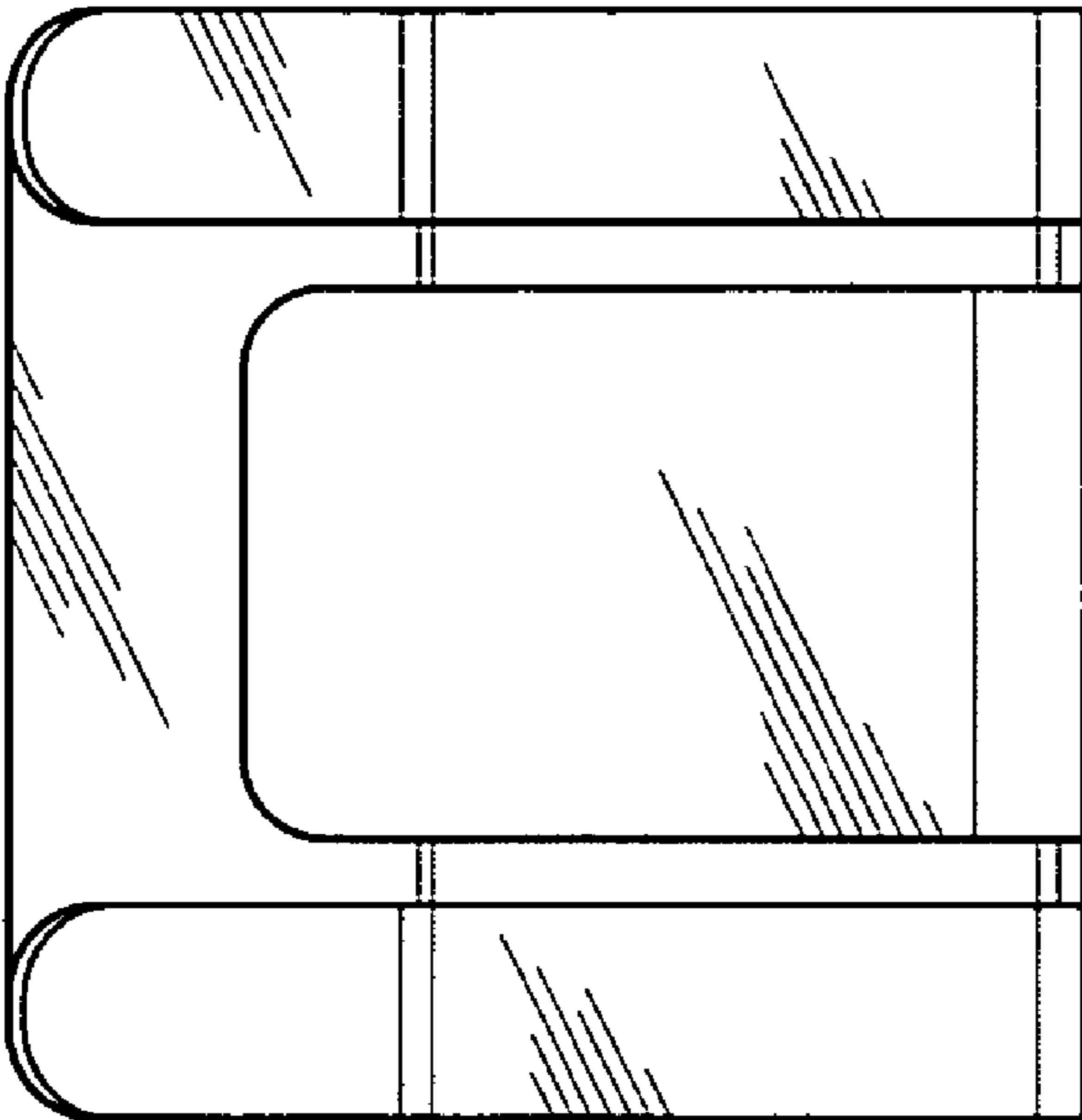


FIG. 3

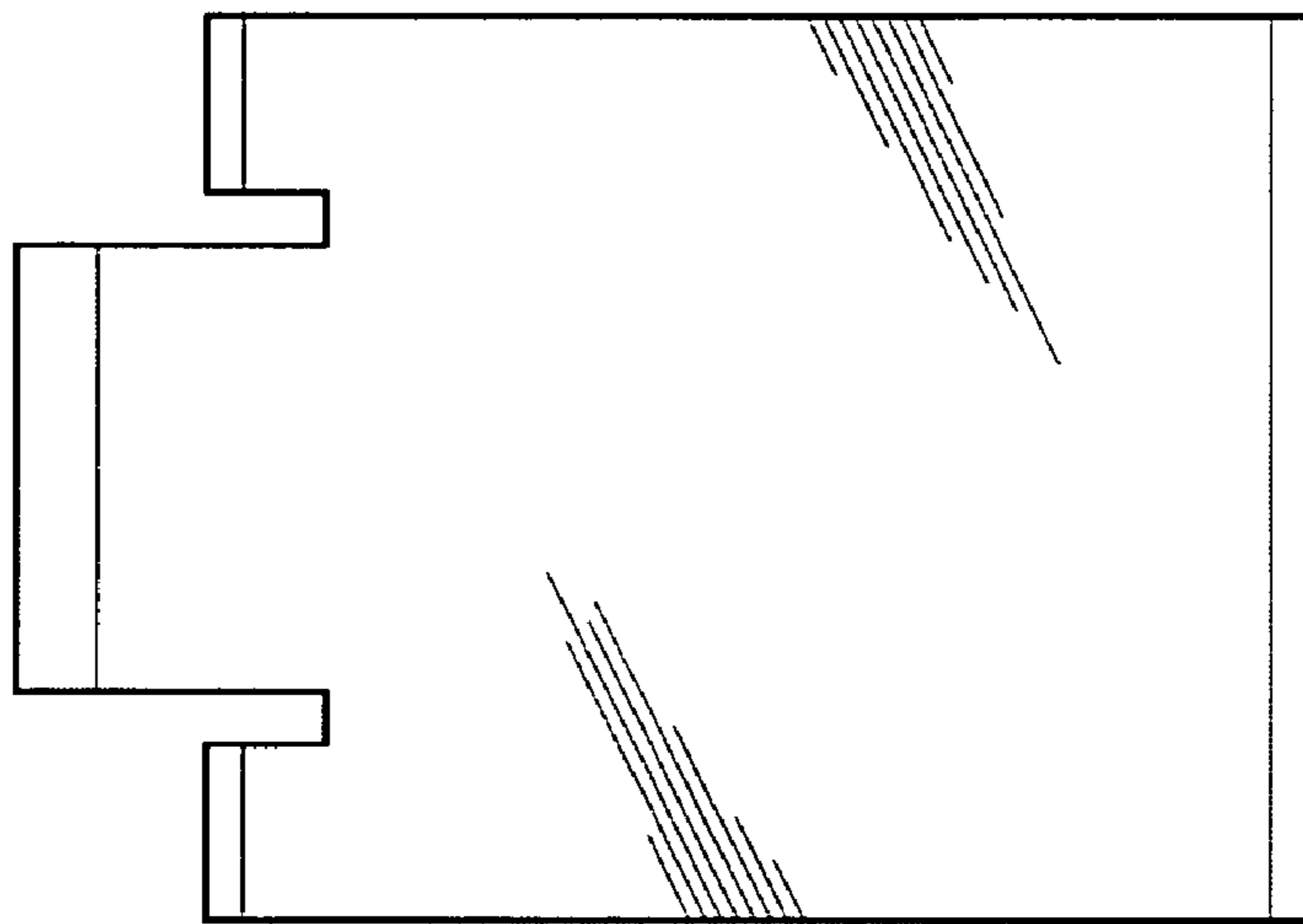


FIG. 4

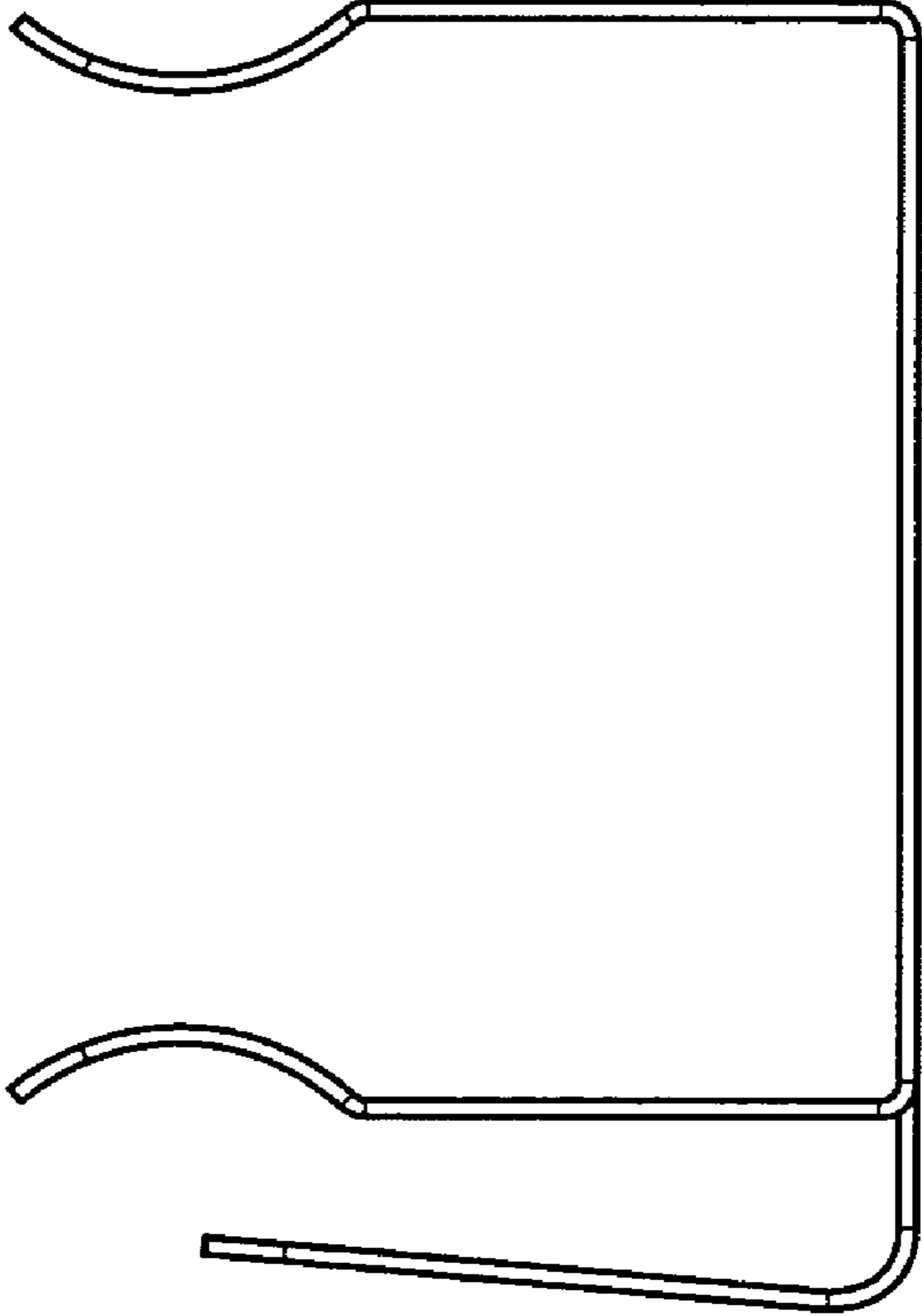


FIG. 5

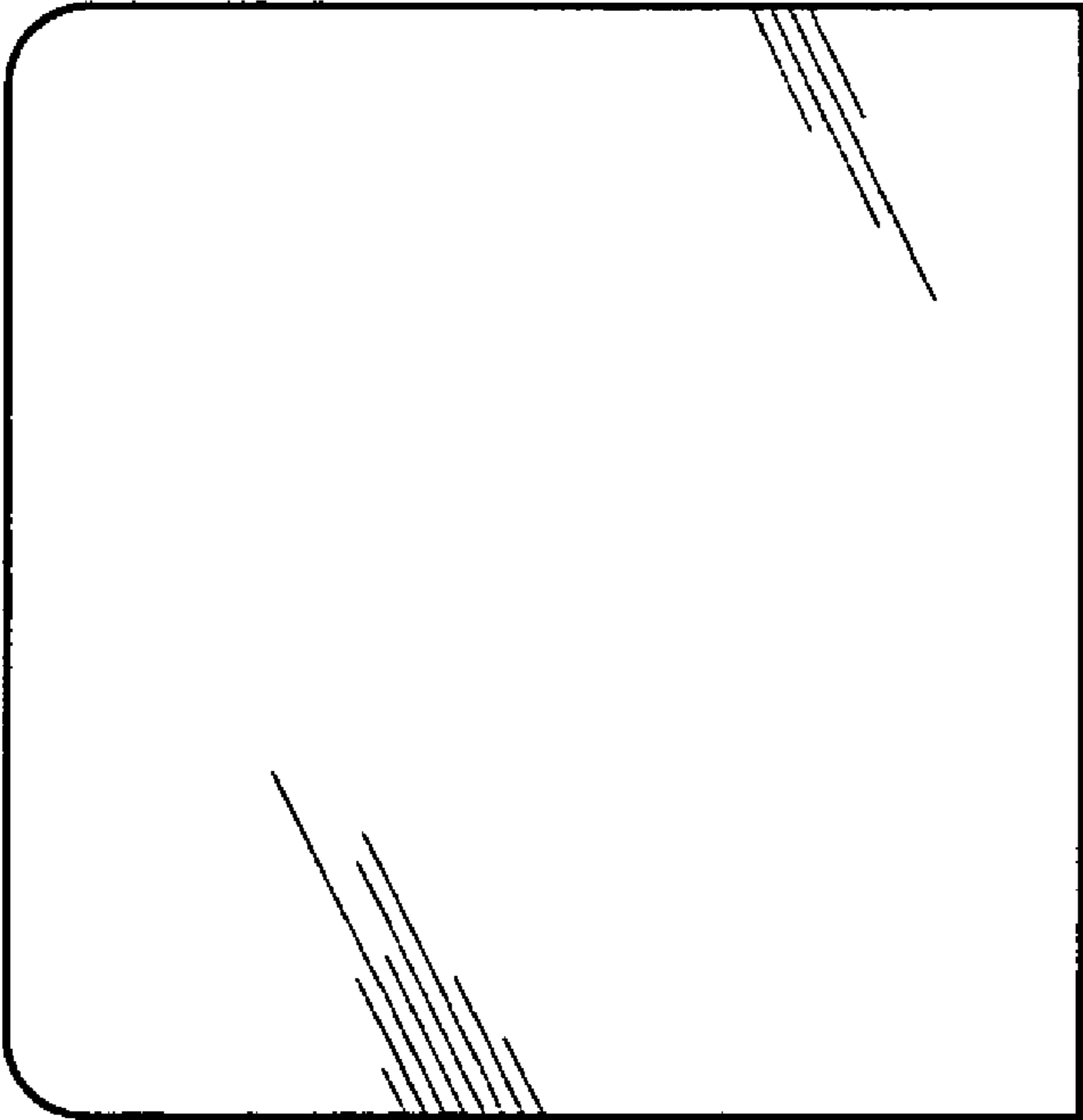


FIG. 6

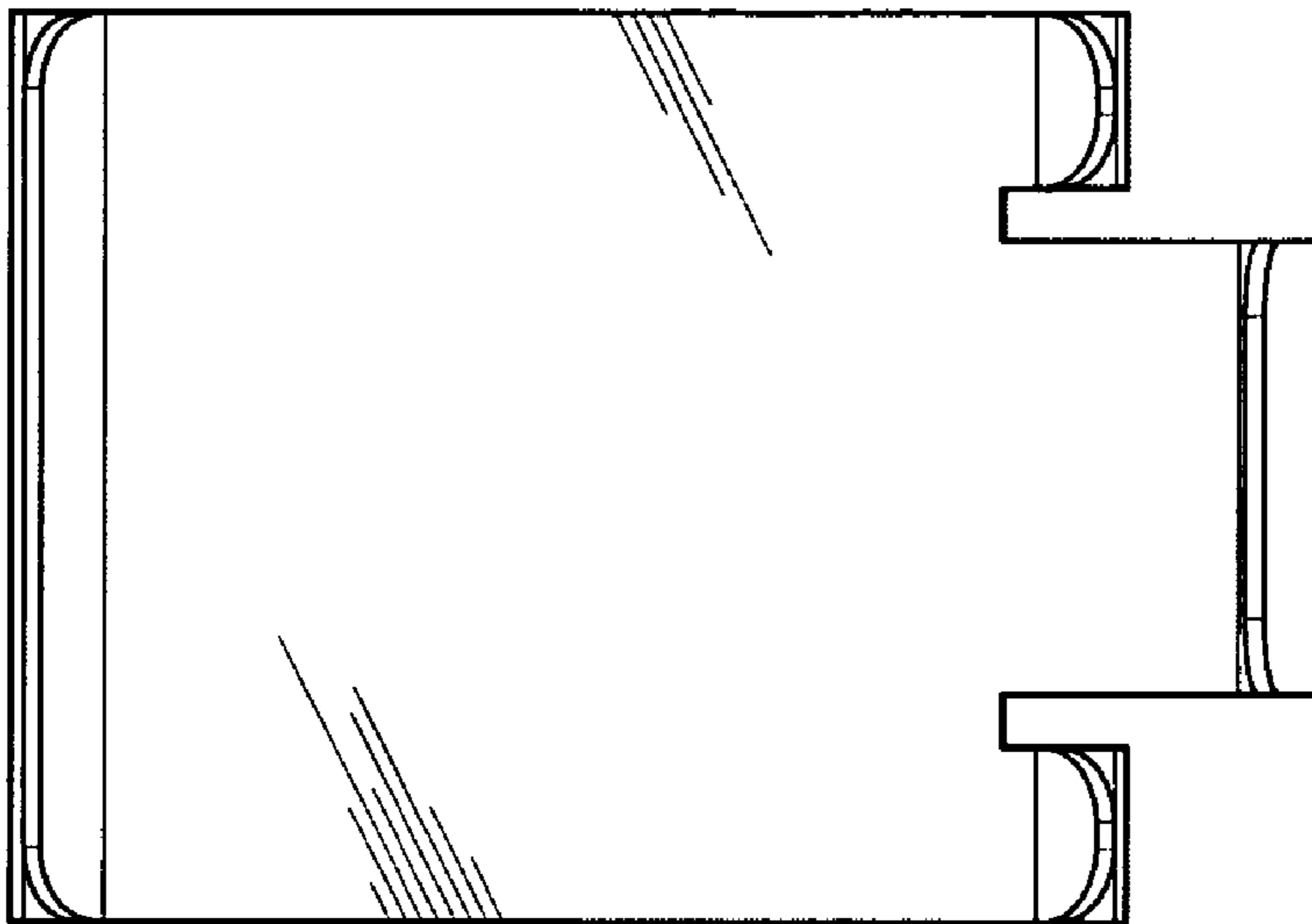


FIG. 7