



US00D576477S

(12) **United States Design Patent**
Levy

(10) **Patent No.:** **US D576,477 S**
(45) **Date of Patent:** **** Sep. 9, 2008**

(54) **HIGH PRESSURE ENERGIZABLE TUBE CONNECTOR**

D482,602 S * 11/2003 Holden D8/382
D489,967 S * 5/2004 Funk D8/382
2006/0284423 A1 * 12/2006 Katsuno et al. 285/417

(75) Inventor: **David Levy**, Broussard, LA (US)

* cited by examiner

(73) Assignee: **Petrotechnologies, Inc.**, Broussard, LA (US)

Primary Examiner—T. Chase Nelson
Assistant Examiner—Sheryl Friedman

(**) Term: **14 Years**

(74) *Attorney, Agent, or Firm*—Buskop Law Group, PC; Wendy Buskop

(21) Appl. No.: **29/281,379**

(57) **CLAIM**

(22) Filed: **Jun. 21, 2007**

The ornamental design for a high pressure energizable tube connector, as shown and described.

(51) **LOC (8) Cl.** **08-08**

(52) **U.S. Cl.** **D8/382; D23/262**

(58) **Field of Classification Search** D8/382;
D23/262; 285/342

DESCRIPTION

See application file for complete search history.

FIG. 1 depicts a perspective view of a high pressure energizable tube connector;

(56) **References Cited**

FIG. 2 depicts an elevated top view thereof;

U.S. PATENT DOCUMENTS

FIG. 3 depicts an elevated right side view thereof;

2,934,362 A * 4/1960 Franck 285/341

FIG. 4 depicts an elevated left side view thereof;

6,053,639 A * 4/2000 Chen 385/53

FIG. 5 depicts an elevated front view thereof; and,

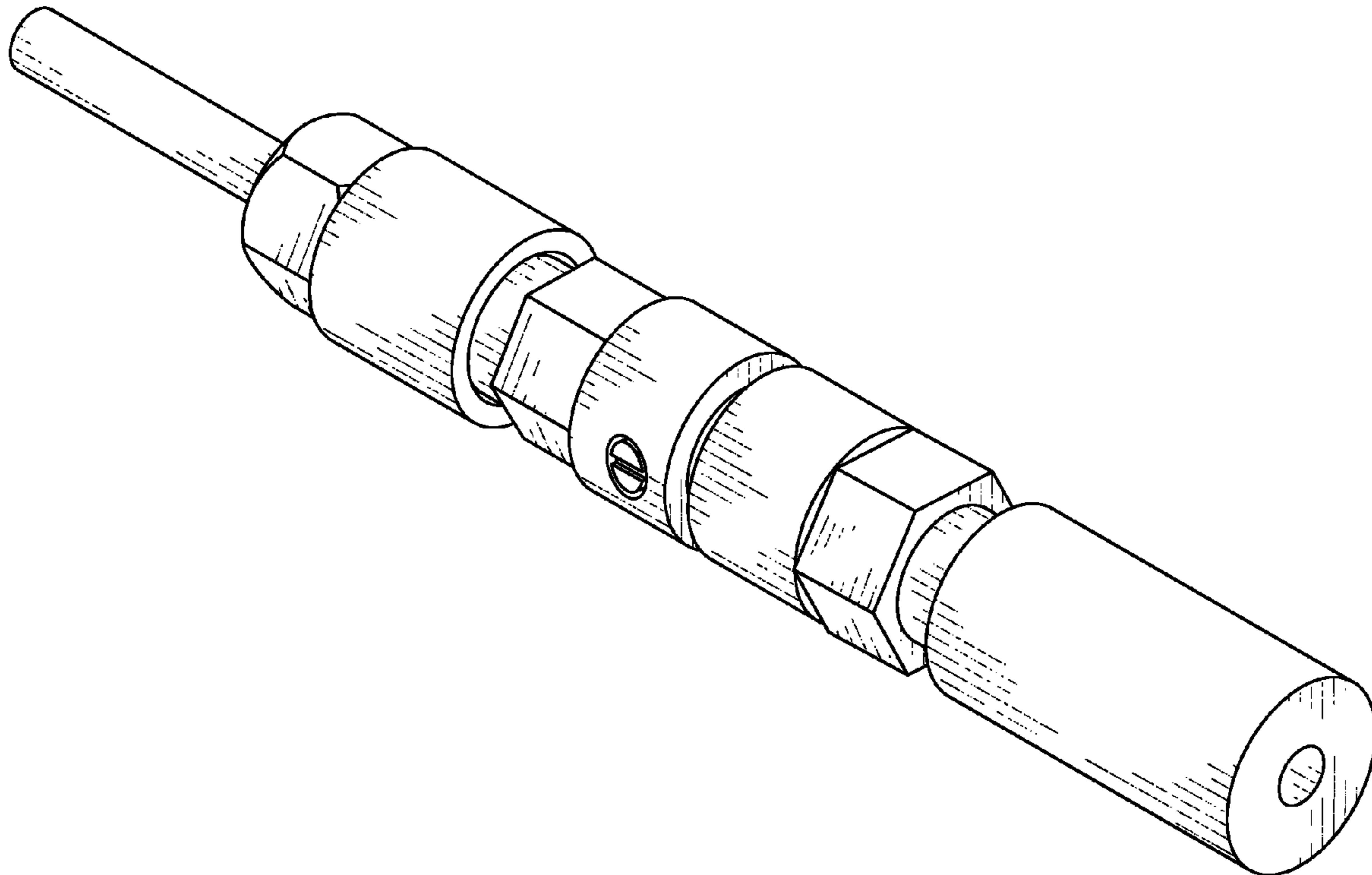
D429,627 S * 8/2000 Gradwell D8/382

FIG. 6 depicts a cross sectional view along the central axis of FIG. 2.

6,488,318 B1 * 12/2002 Shim 285/322

6,505,860 B2 * 1/2003 Trichard 285/104

1 Claim, 3 Drawing Sheets



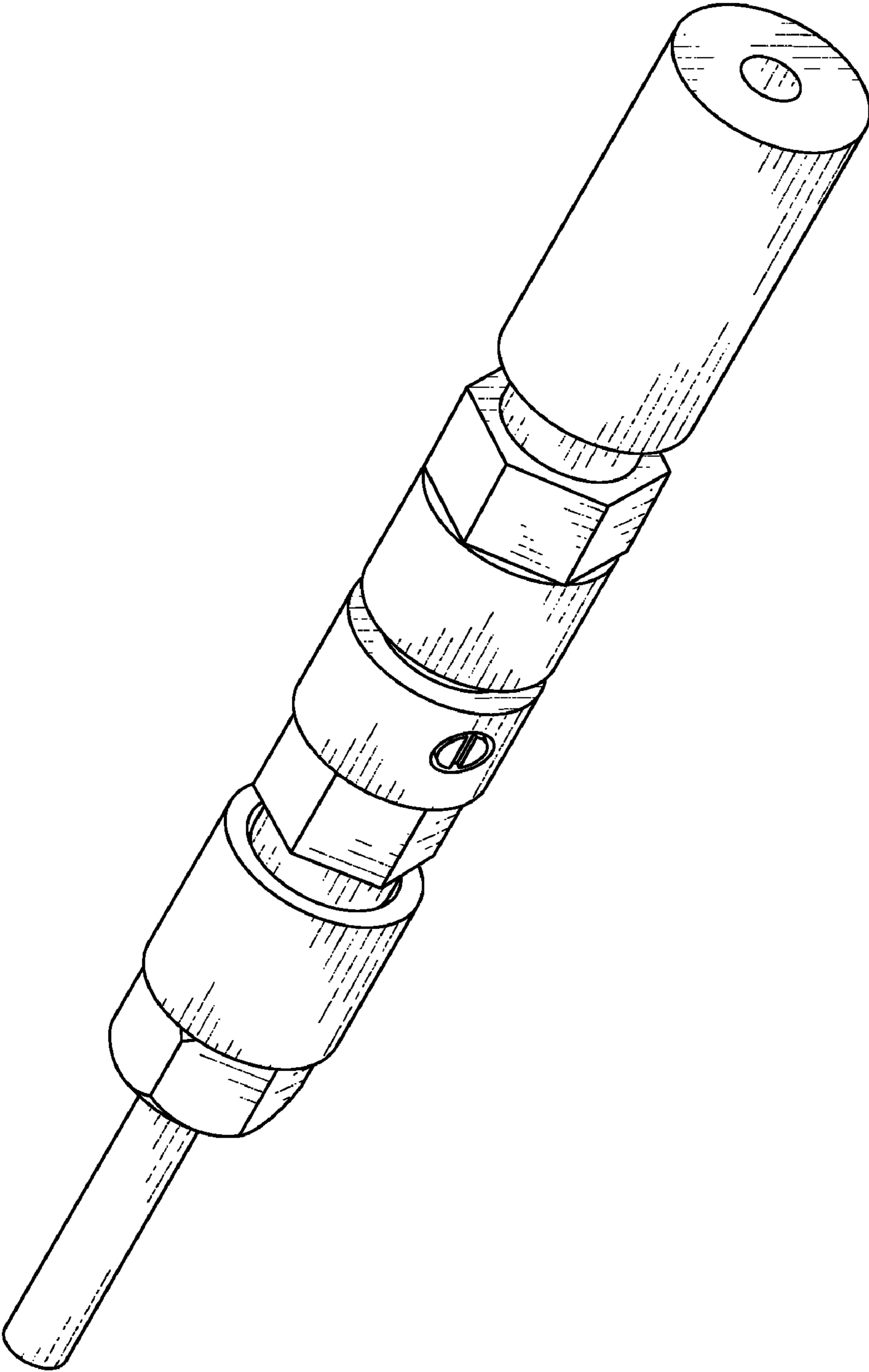


FIG. 1

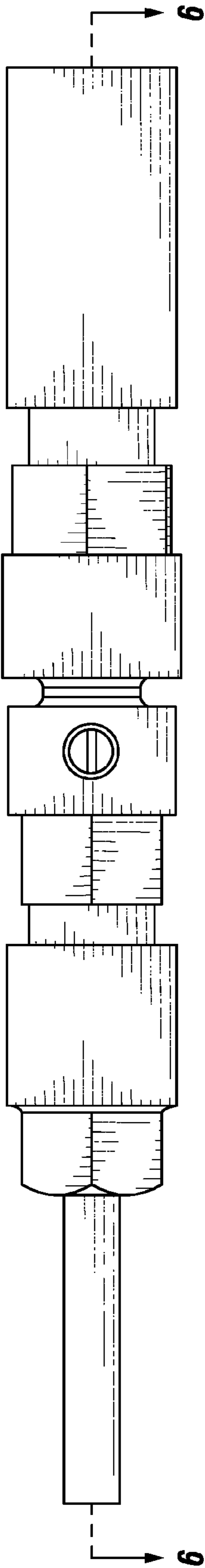


FIG. 2

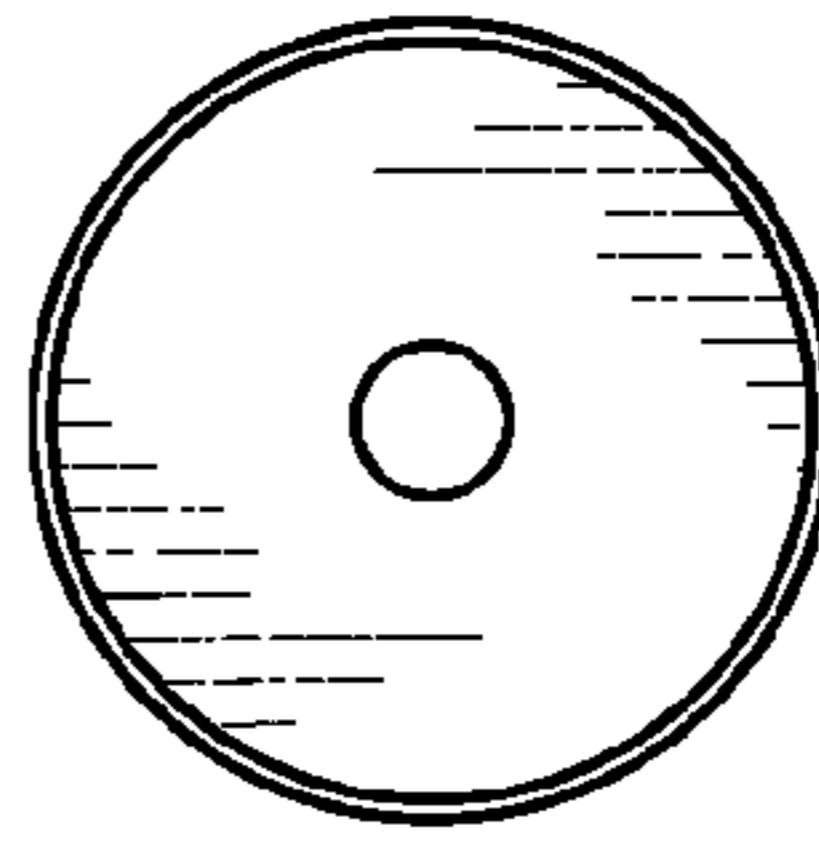


FIG. 4

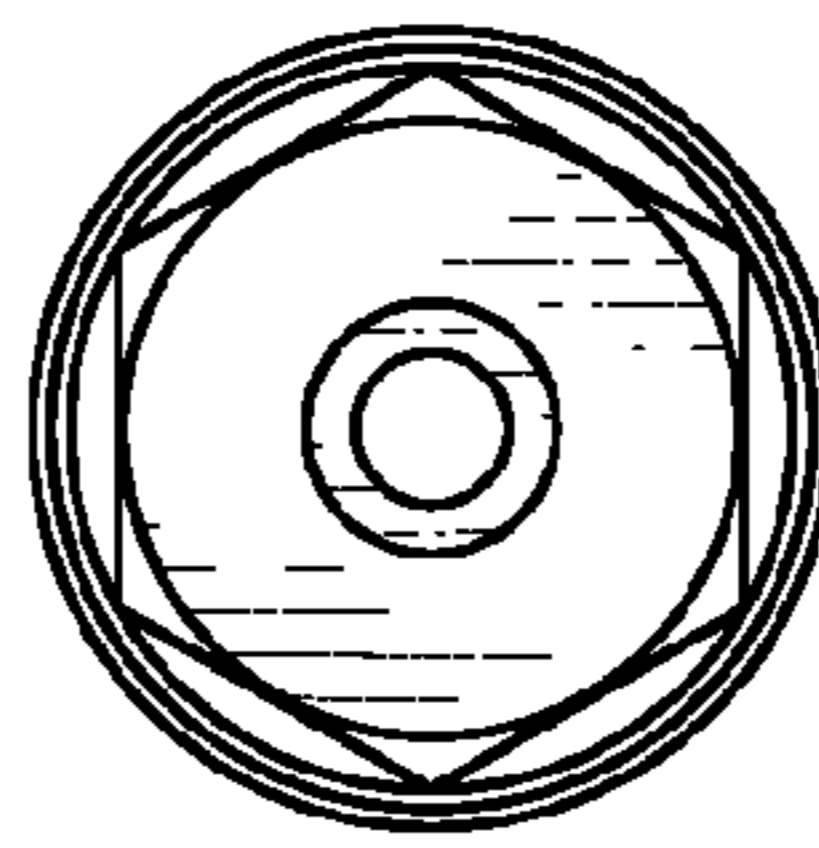


FIG. 3

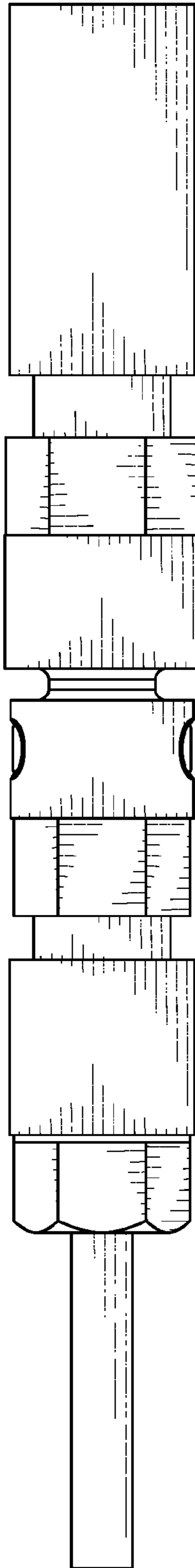


FIG. 5

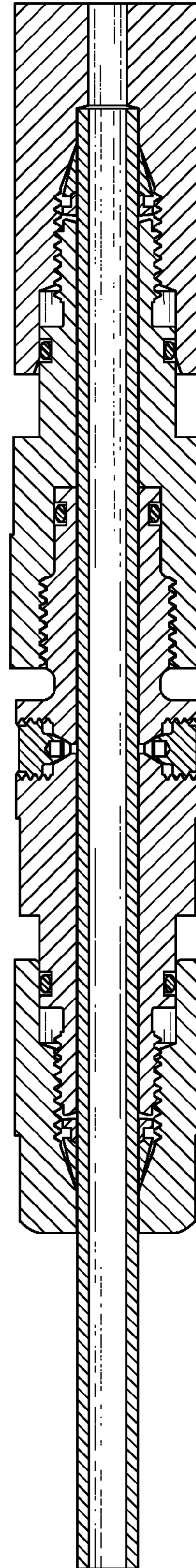


FIG. 6