



US00D576476S

(12) **United States Design Patent**
Didehvar

(10) **Patent No.:** **US D576,476 S**
(45) **Date of Patent:** **** Sep. 9, 2008**

(54) **HANGER**
(75) Inventor: **Kaveh Didehvar**, Hockessin, DE (US)
(73) Assignee: **Zenith Products Corp.**, New Castle, DE (US)

5,871,105 A 2/1999 Whitehead et al.
5,960,967 A 10/1999 Neil
6,006,928 A 12/1999 Parker
6,059,125 A 5/2000 Parham
D451,800 S 12/2001 Pryde et al.
6,863,185 B2 3/2005 Mele et al.

(**) Term: **14 Years**

* cited by examiner

(21) Appl. No.: **29/282,148**

Primary Examiner—Holly H Baynham
(74) *Attorney, Agent, or Firm*—Panitch Schwarze Belisario & Nadel LLP

(22) Filed: **Jul. 12, 2007**

(51) **LOC (8) Cl.** **08-05**
(52) **U.S. Cl.** **D8/373**
(58) **Field of Classification Search** D8/373;
248/312, 314, 309.1, 316.2, 239, 475.1, 477;
211/17–18, 113, 115, 119
See application file for complete search history.

(57) **CLAIM**

The ornamental design for a hanger, as shown and described.

(56) **References Cited**

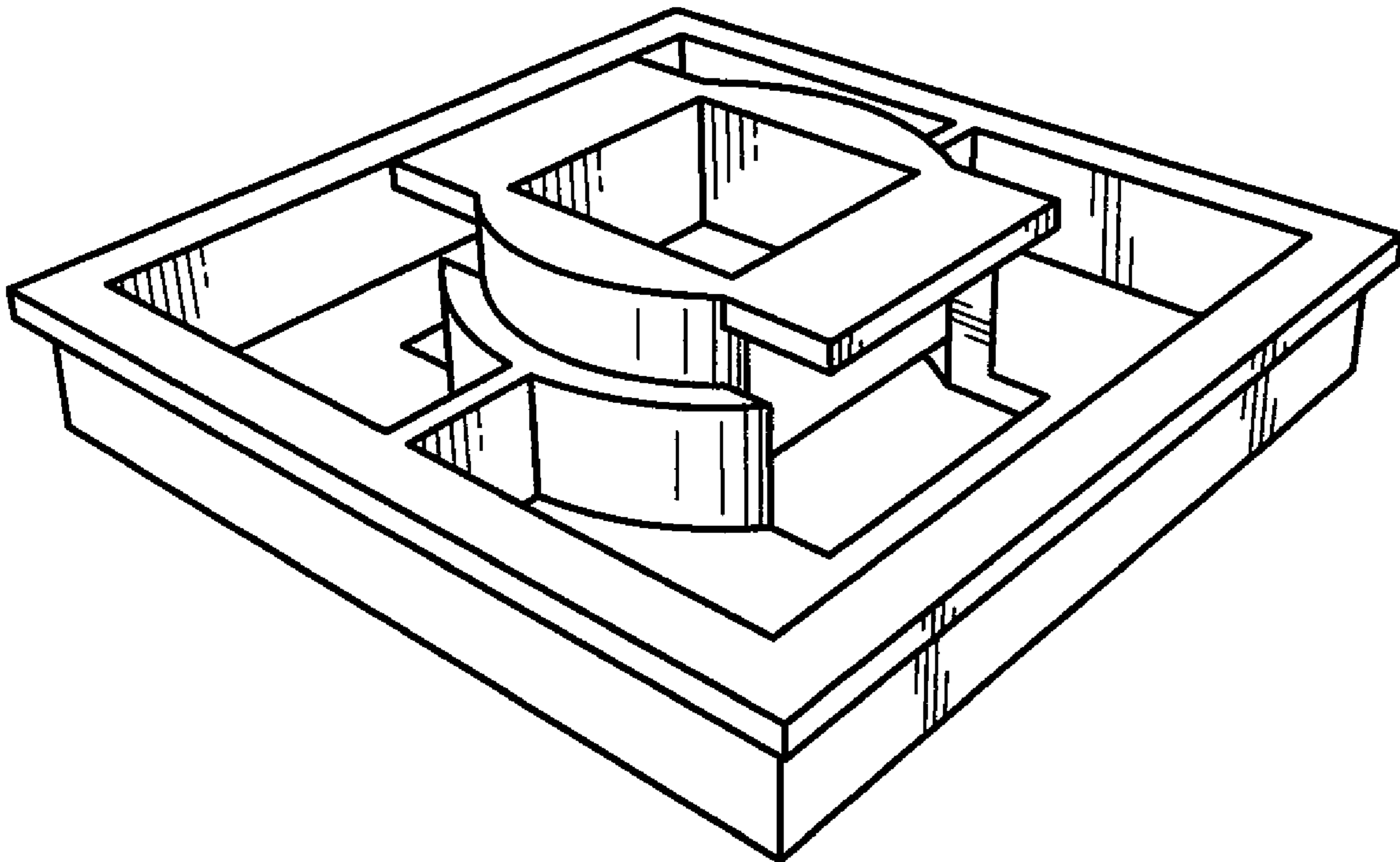
DESCRIPTION

U.S. PATENT DOCUMENTS

2,979,192 A 4/1961 Blonder
D201,926 S 8/1965 Roach
3,606,948 A 9/1971 Strang
3,649,059 A * 3/1972 Davidson 248/239
4,062,450 A 12/1977 Carter
4,712,671 A 12/1987 Salacuse
5,074,419 A * 12/1991 Smith 211/17

FIG. 1 is a front right perspective view of a hanger in accordance with my new design;
FIG. 2 is a front elevation view of the hanger shown in FIG. 1, with the rear elevation view being a mirror image;
FIG. 3 is a right side elevation view of the hanger shown in FIG. 1, with the left side elevation view being a mirror image;
FIG. 4 is a top plan view of the hanger shown in FIG. 1; and,
FIG. 5 is a bottom plan view of the hanger shown in FIG. 1.

1 Claim, 2 Drawing Sheets



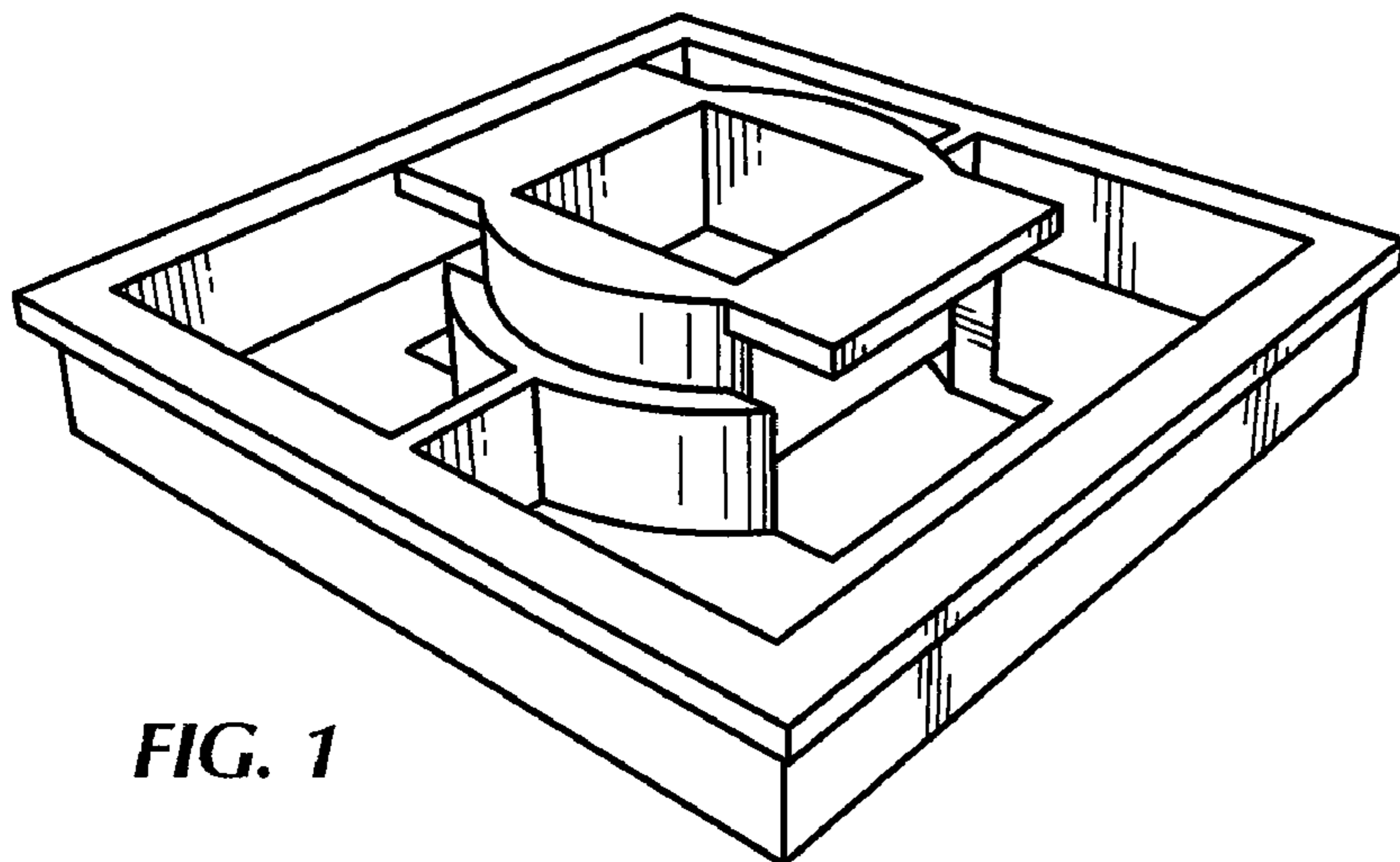


FIG. 1

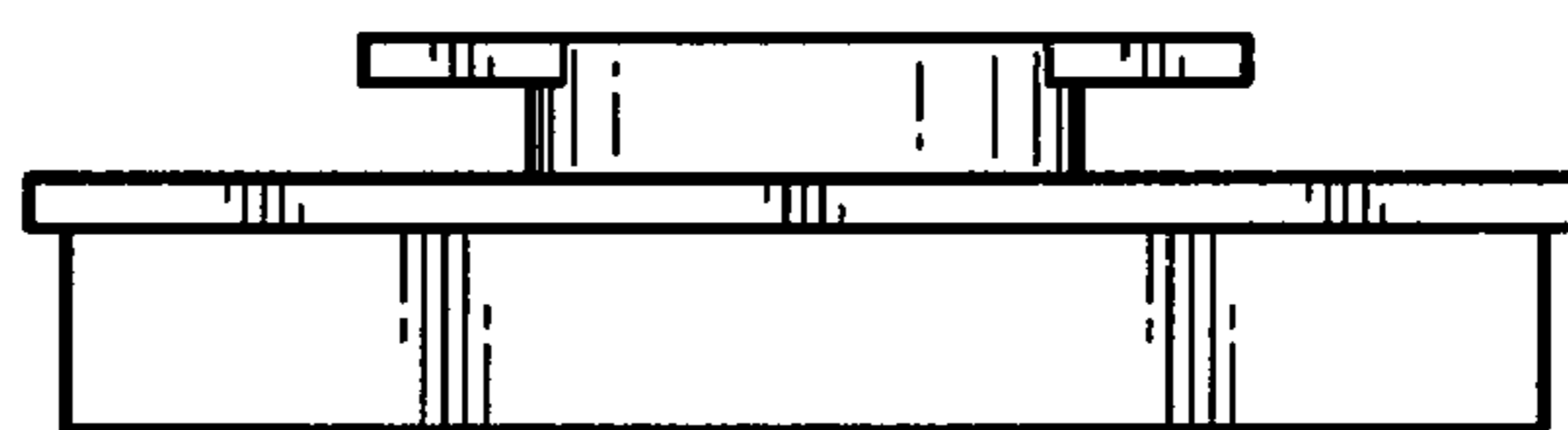


FIG. 2

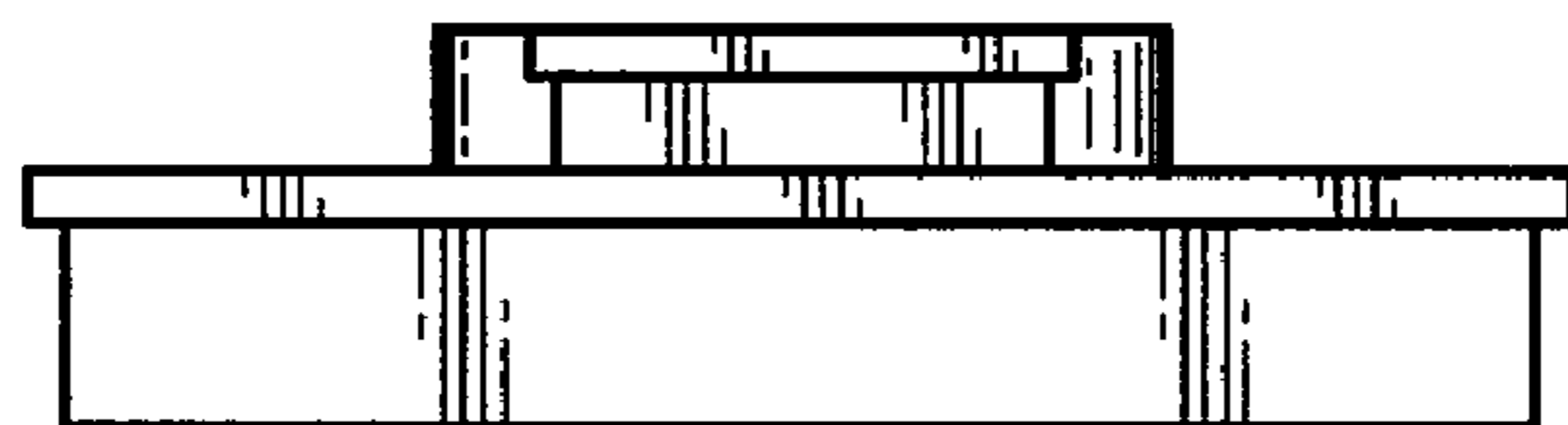


FIG. 3

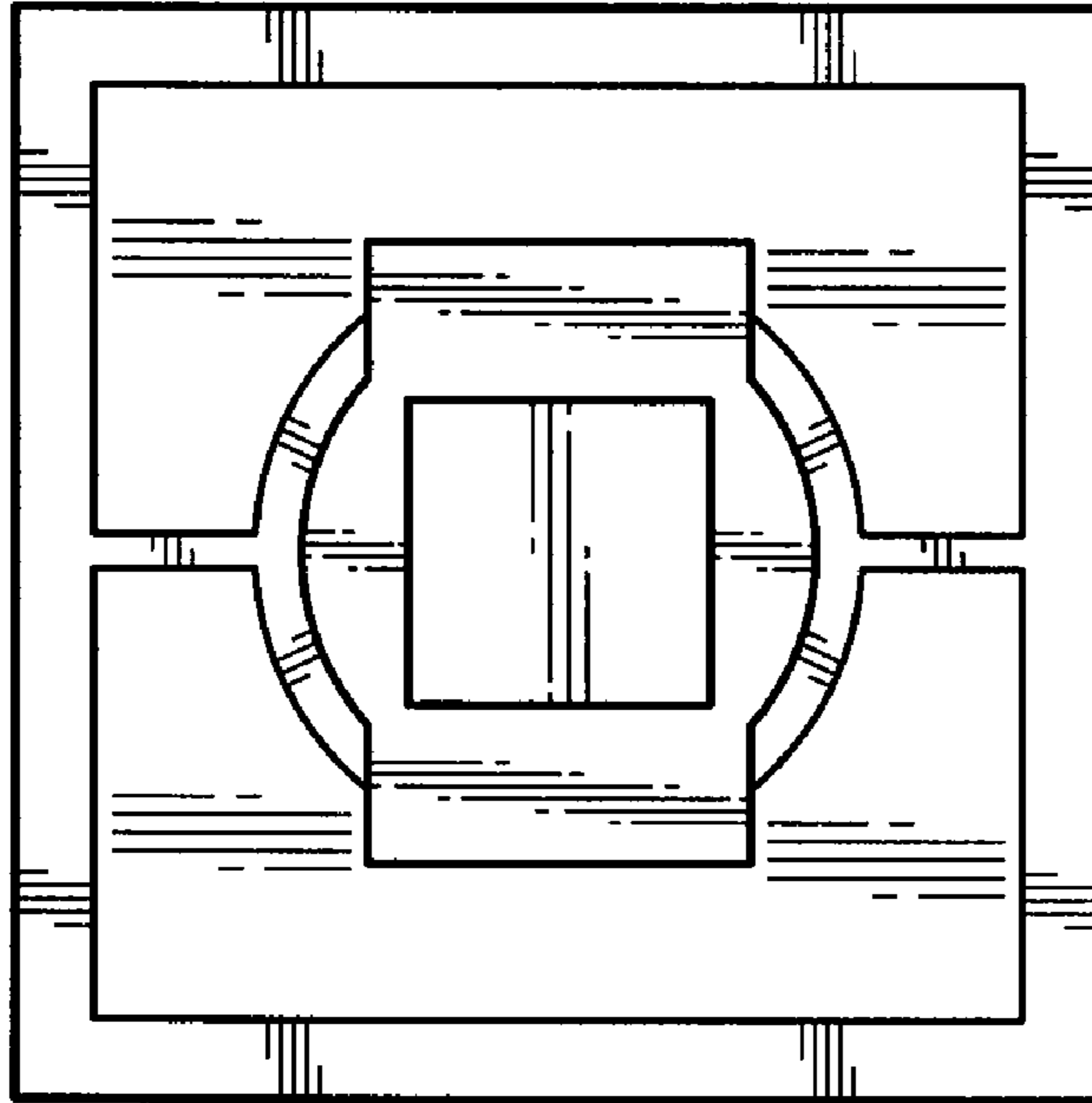


FIG. 4

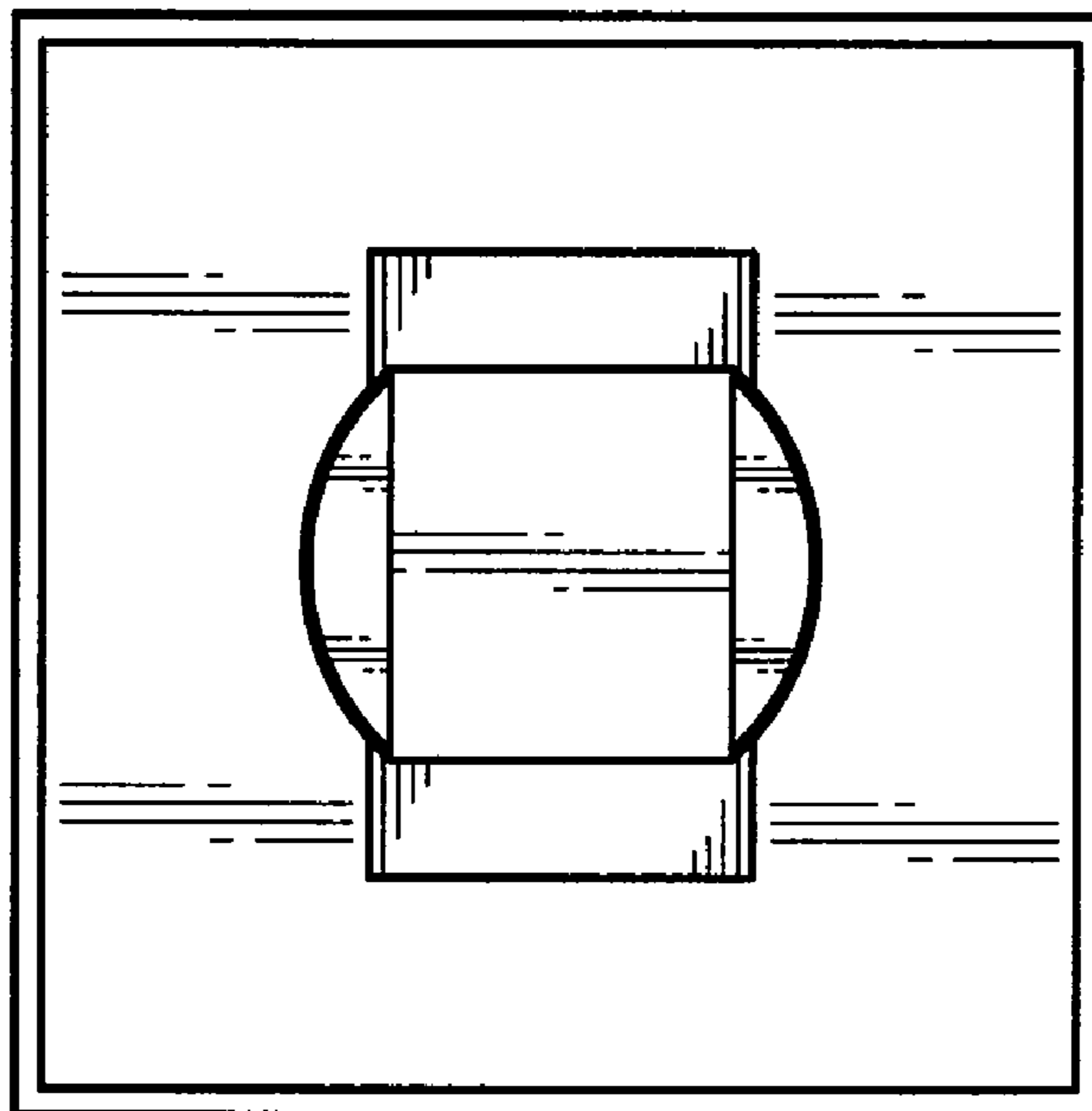


FIG. 5