



US00D576475S

(12) **United States Design Patent**
Didehvar

(10) **Patent No.:** **US D576,475 S**
(45) **Date of Patent:** **** Sep. 9, 2008**

(54) **HANGER**

(75) Inventor: **Kaveh Didehvar**, Hockessin, DE (US)

(73) Assignee: **Zenith Products Corp.**, New Castle, DE (US)

(**) Term: **14 Years**

(21) Appl. No.: **29/282,143**

(22) Filed: **Jul. 12, 2007**

(51) **LOC (8) Cl.** **08-05**

(52) **U.S. Cl.** **D8/373**

(58) **Field of Classification Search** D8/373;
248/312, 314, 316.1, 309.1, 239, 475.1, 477;
211/17-18, 113, 115, 119

See application file for complete search history.

(56) **References Cited**

U.S. PATENT DOCUMENTS

1,449,275	A *	9/1923	Feist	248/312
2,896,897	A *	7/1959	Schlueter	248/239
2,979,192	A	4/1961	Blonder		
D201,926	S	8/1965	Roach		
3,606,948	A	9/1971	Strang		
4,062,450	A	12/1977	Carter		
D284,349	S *	6/1986	Wallace	D8/373
4,712,671	A	12/1987	Salacuse		

5,871,105	A	2/1999	Whitehead et al.		
5,960,967	A	10/1999	Neil		
6,006,928	A	12/1999	Parker		
6,059,125	A	5/2000	Parham		
D451,800	S	12/2001	Pryde et al.		
D455,643	S *	4/2002	Aubin	D8/373
D467,792	S *	12/2002	Zadak et al.	D8/373
6,863,185	B2	3/2005	Mele et al.		

* cited by examiner

Primary Examiner—Holly H Baynham

(74) *Attorney, Agent, or Firm*—Panitch Schwarze Belisario & Nadel LLP

(57) **CLAIM**

The ornamental design for a hanger, as shown and described.

DESCRIPTION

FIG. 1 is a front right perspective view of a hanger in accordance with my new design;

FIG. 2 is a front elevation view of the hanger shown in FIG. 1;

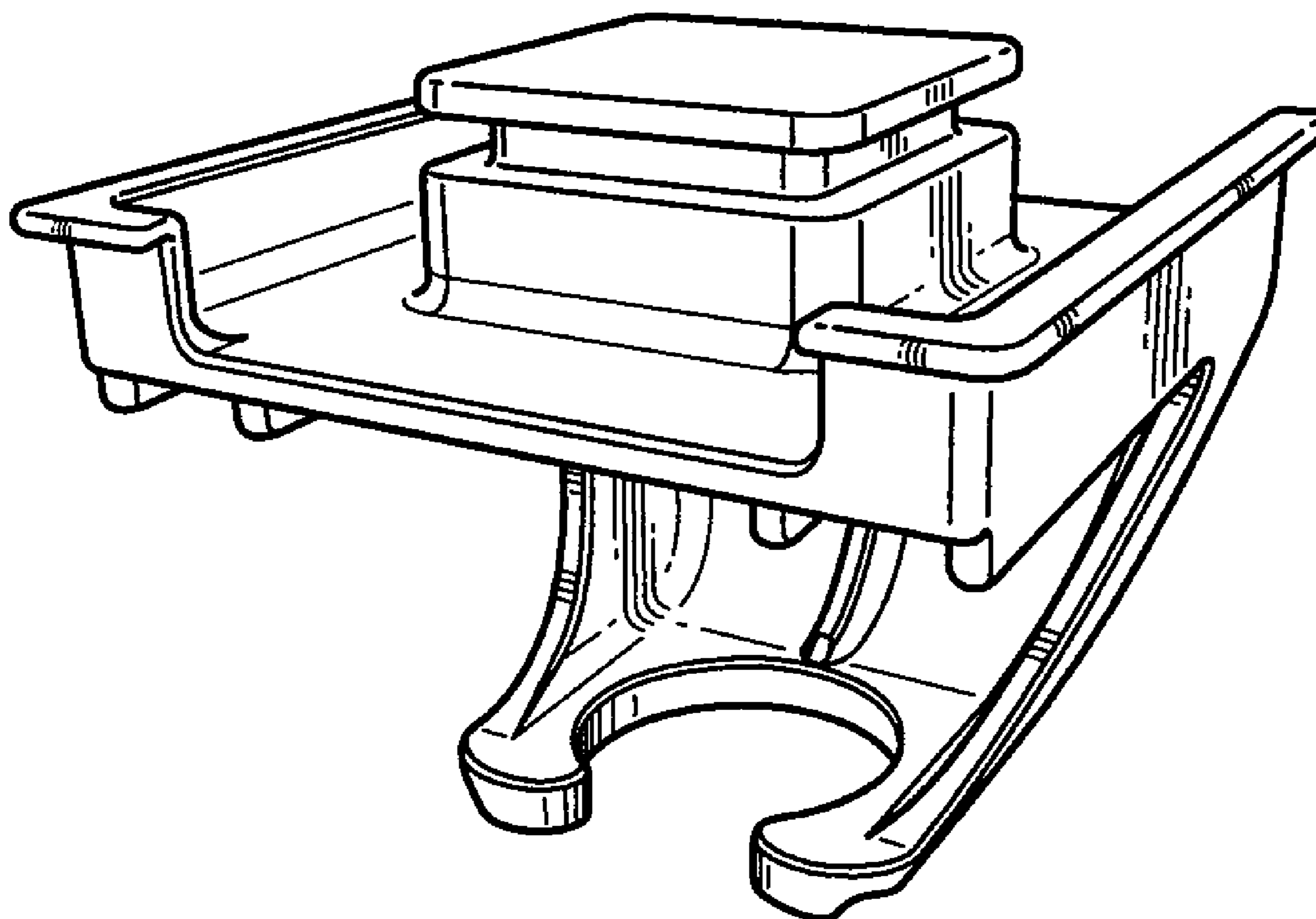
FIG. 3 is a right side elevation view of the hanger shown in FIG. 1, with the left side elevation view being a mirror image;

FIG. 4 is a bottom plan view of the hanger shown in FIG. 1;

FIG. 5 is a top plan view of the hanger shown in FIG. 1; and,

FIG. 6 is a rear elevation view of the hanger shown in FIG. 1.

1 Claim, 3 Drawing Sheets



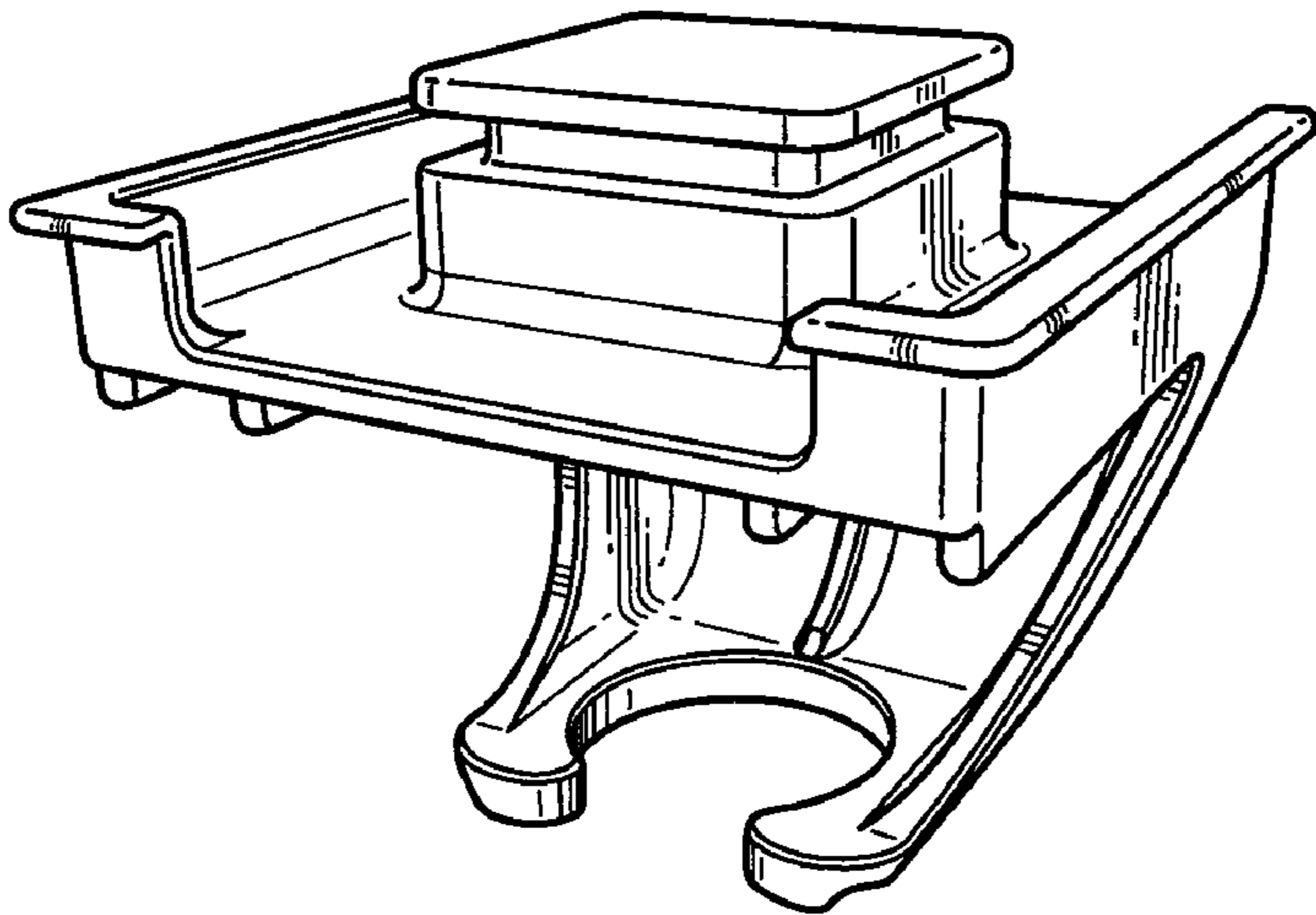


FIG. 1

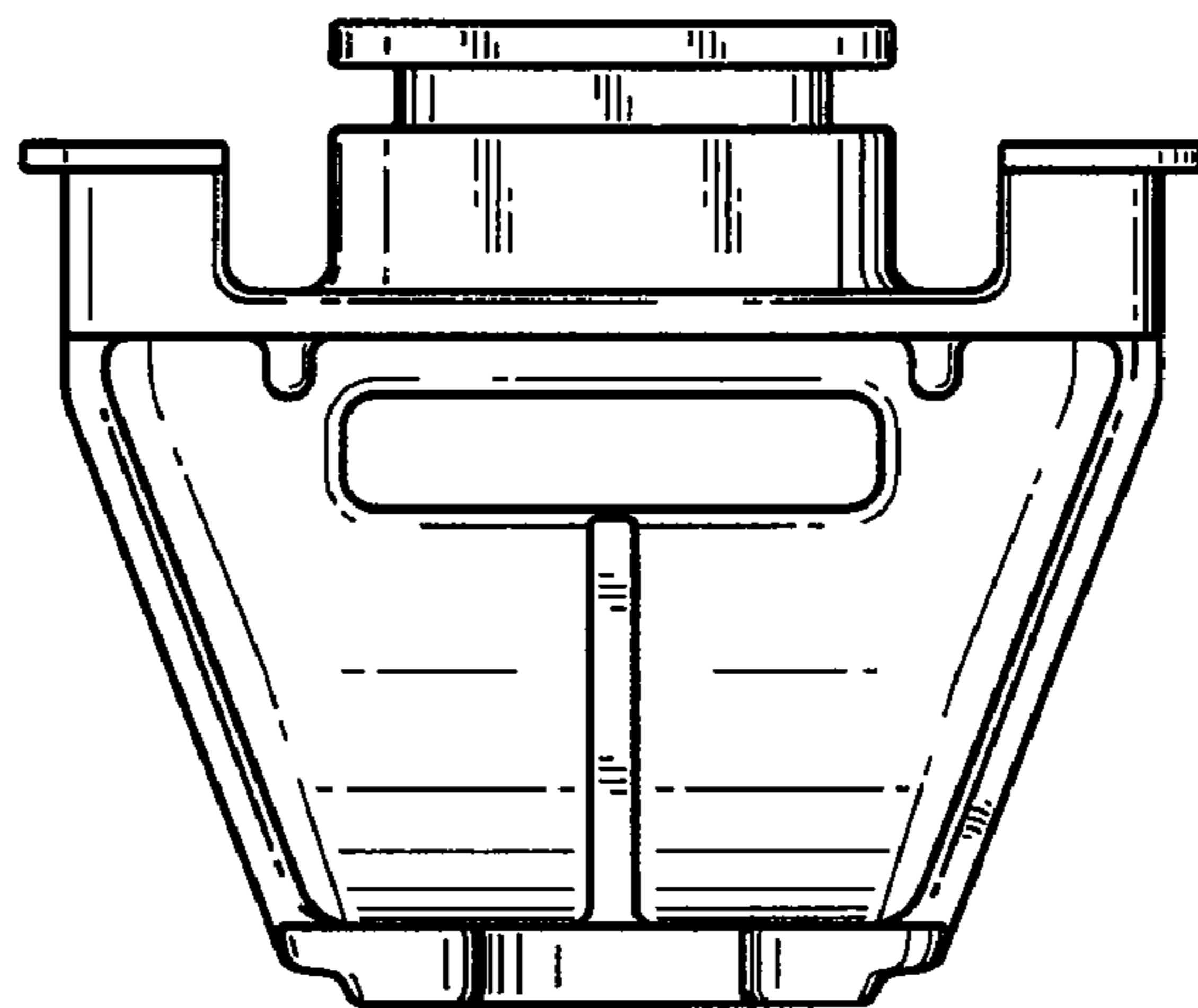


FIG. 2

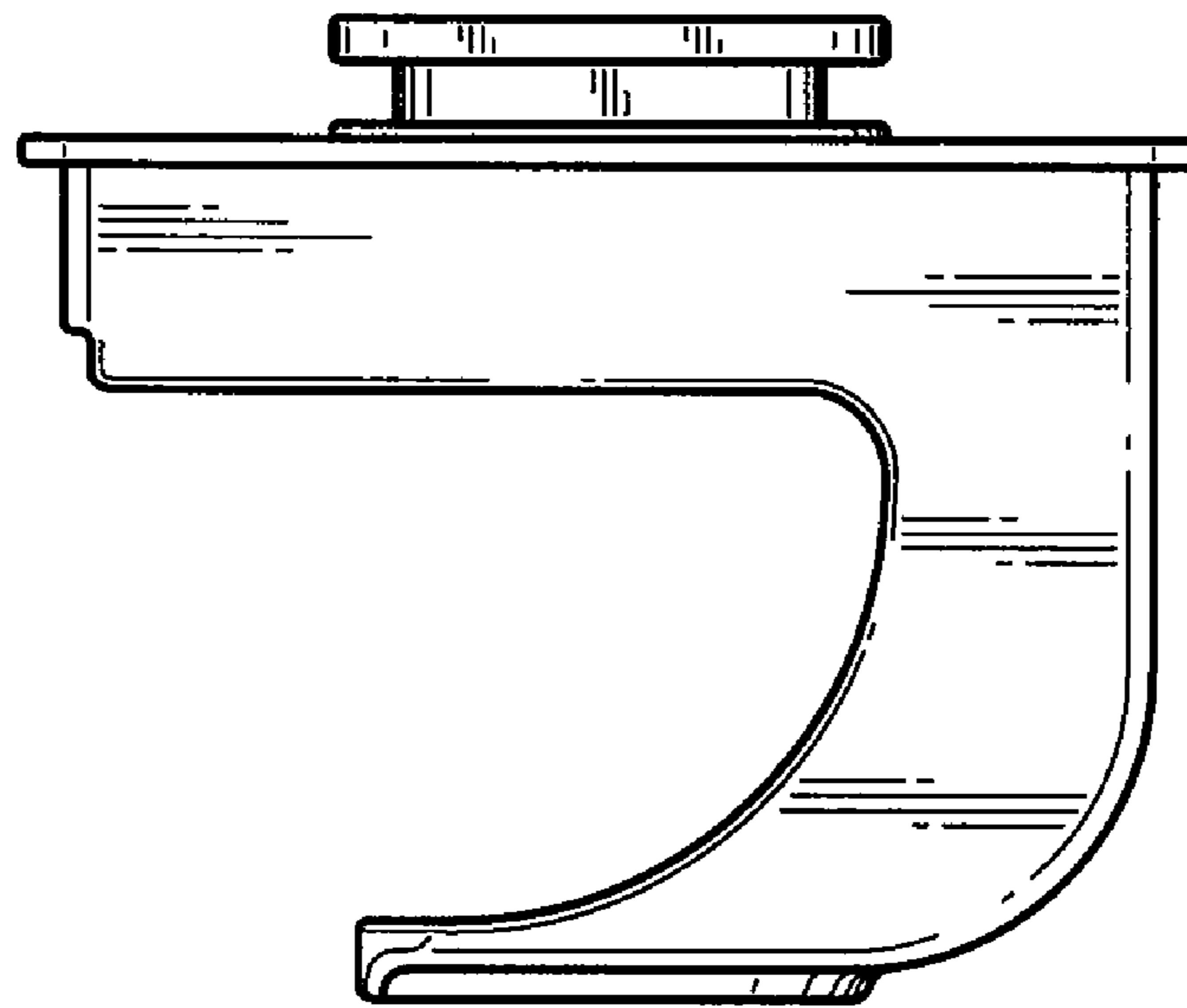


FIG. 3

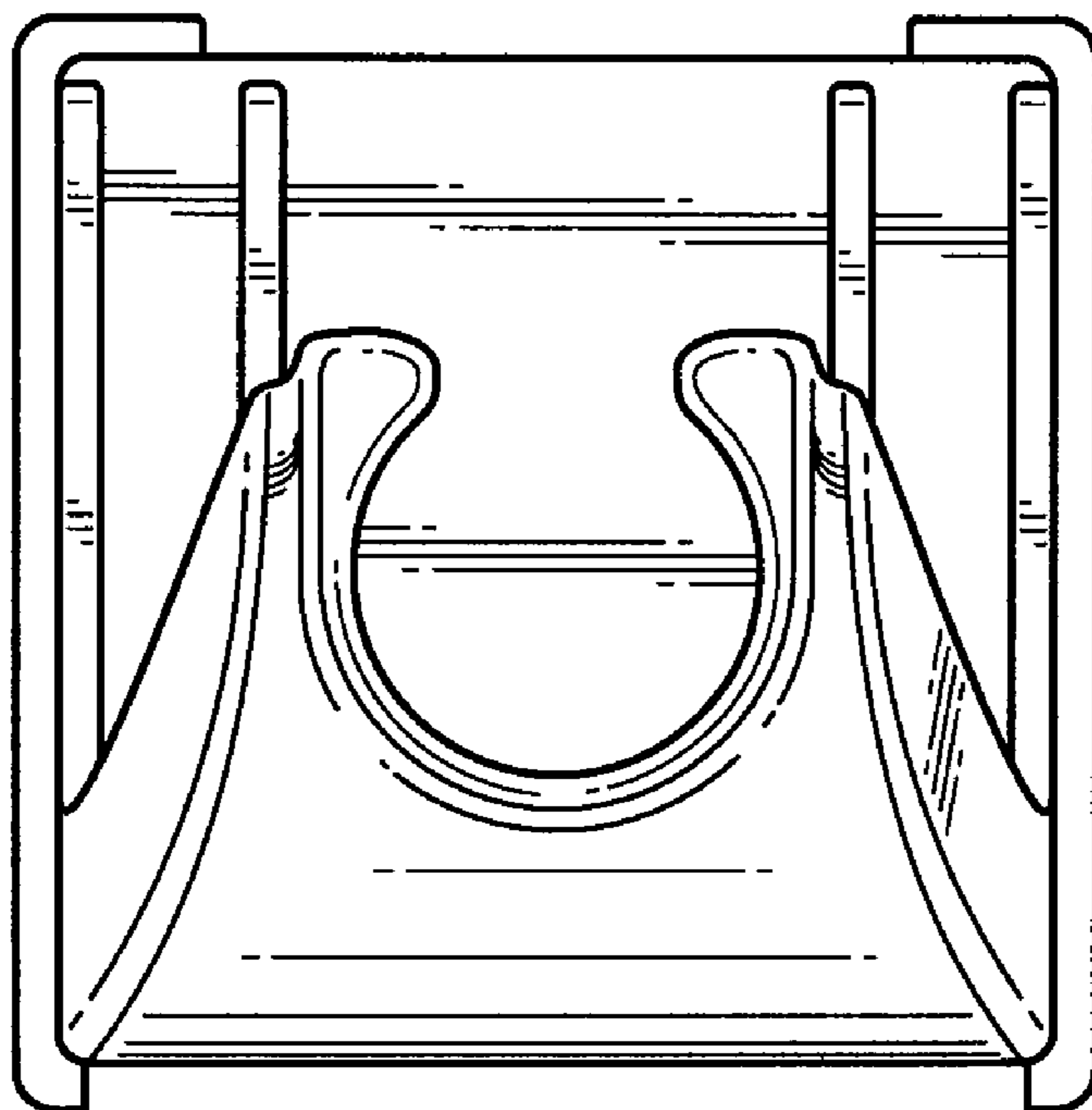


FIG. 4

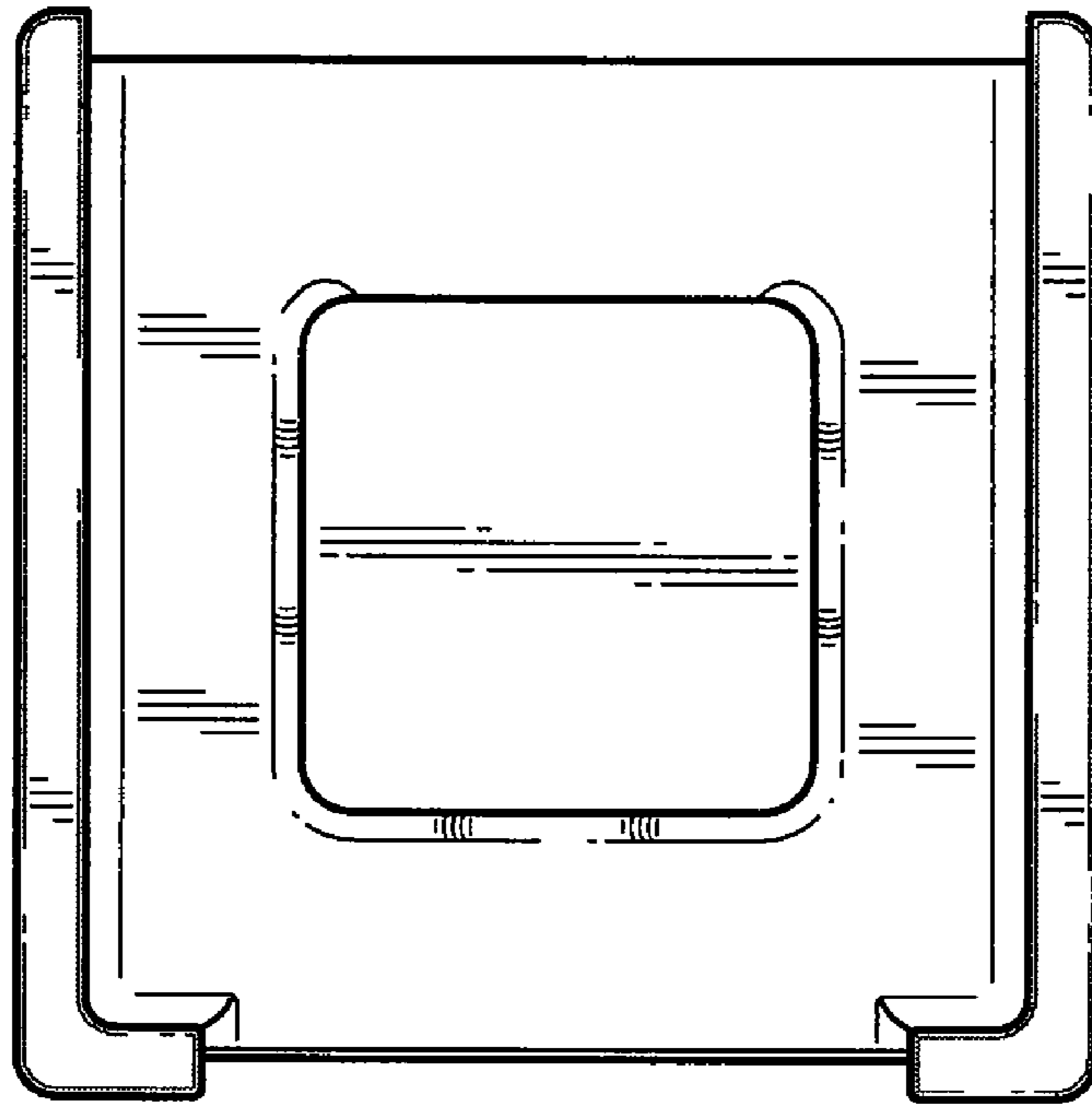


FIG. 5

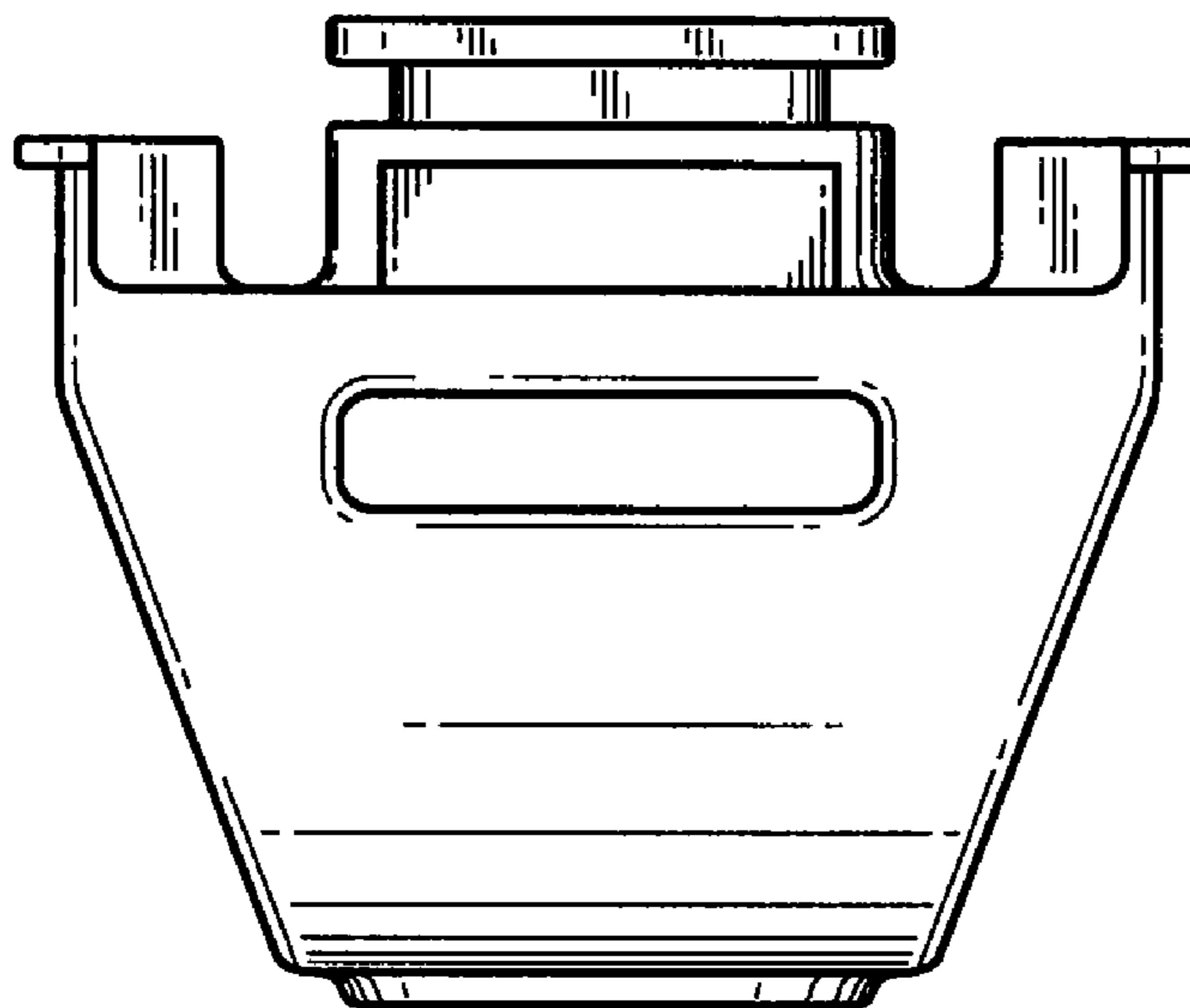


FIG. 6