



US00D576473S

(12) **United States Design Patent**
Cresswell

(10) **Patent No.:** **US D576,473 S**

(45) **Date of Patent:** **** Sep. 9, 2008**

(54) **EQUIPMENT RING FOR A SCUBA HARNESS**

Primary Examiner—Holly H Baynham

(74) *Attorney, Agent, or Firm*—John P. McGonagle

(76) **Inventor:** **Gary A. Cresswell**, 49 Haven Rd.,
Plymouth, MA (US) 02360

(57) **CLAIM**

(**) **Term:** **14 Years**

The ornamental design for an equipment ring for a scuba harness, as shown and described.

(21) **Appl. No.:** **29/286,491**

(22) **Filed:** **May 8, 2007**

(51) **LOC (8) Cl.** **08-05**

(52) **U.S. Cl.** **D8/354; D8/349**

(58) **Field of Classification Search** D8/349,
D8/354; 24/186, 709.5, 3.6; 224/246, 603
See application file for complete search history.

DESCRIPTION

FIG. 1 is a front perspective view of an equipment ring for a scuba harness embodying my new design attached to a scuba harness system, wherein the attached scuba harness system is shown in broken lines for illustrative purposes only and forms no part of the claimed design;

FIG. 2 is a rear elevational thereof;

FIG. 3 is a bottom view thereof;

FIG. 4 is a top view thereof;

FIG. 5 is a side view thereof, the opposite side being a mirror image thereof; and,

FIG. 6 is a front view thereof.

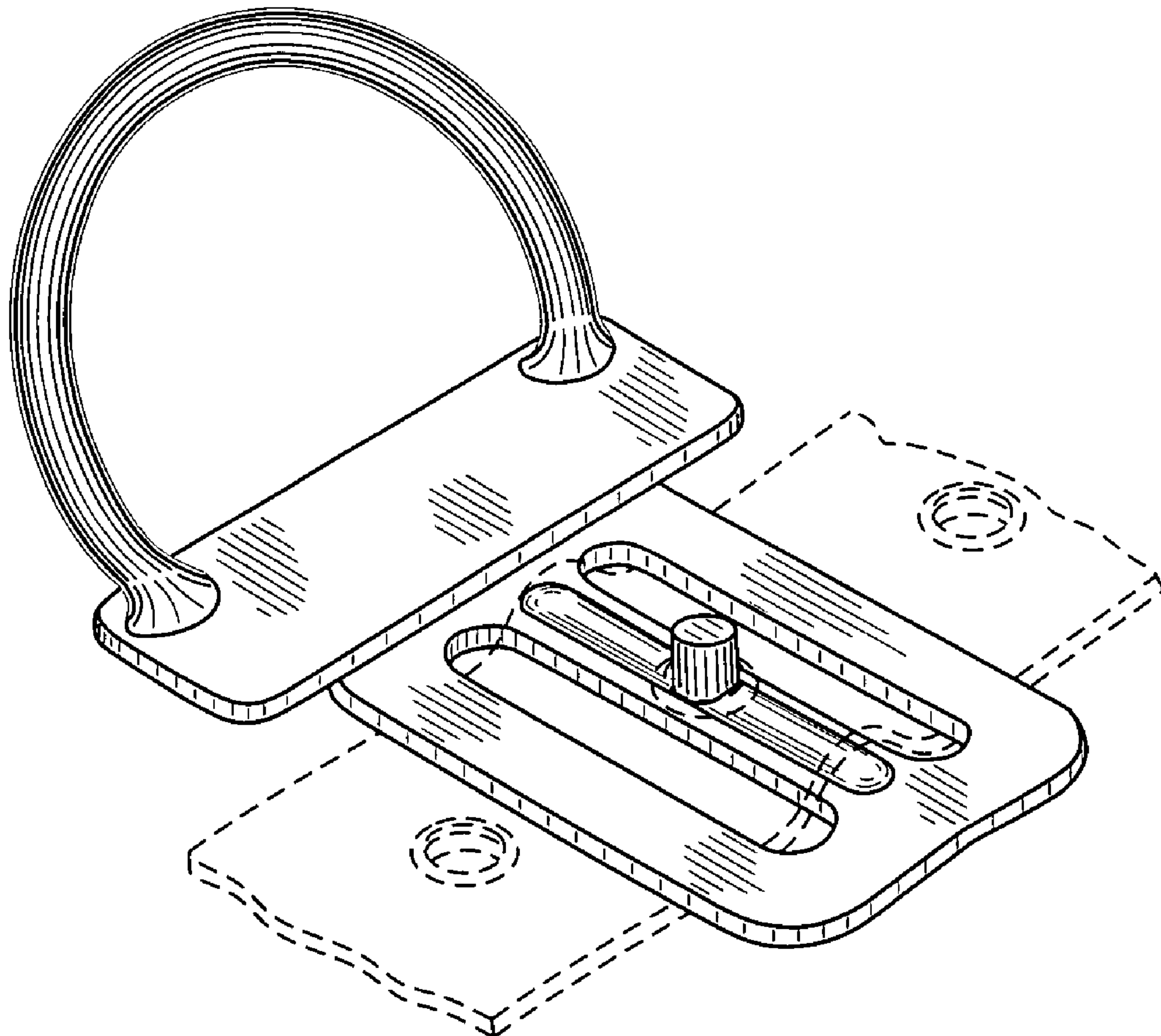
(56) **References Cited**

U.S. PATENT DOCUMENTS

1,885,445	A *	11/1932	Hueseman	24/186
2,026,750	A *	1/1936	Reiter et al.	24/186
2,747,248	A *	5/1956	Mercer	24/709.5
2,986,786	A *	6/1961	Hill	24/3.6
4,310,110	A *	1/1982	Dexter	224/246
D420,565	S	2/2000	Griffiths		
2006/0207447	A1 *	9/2006	Droche et al.	101/110

* cited by examiner

1 Claim, 2 Drawing Sheets



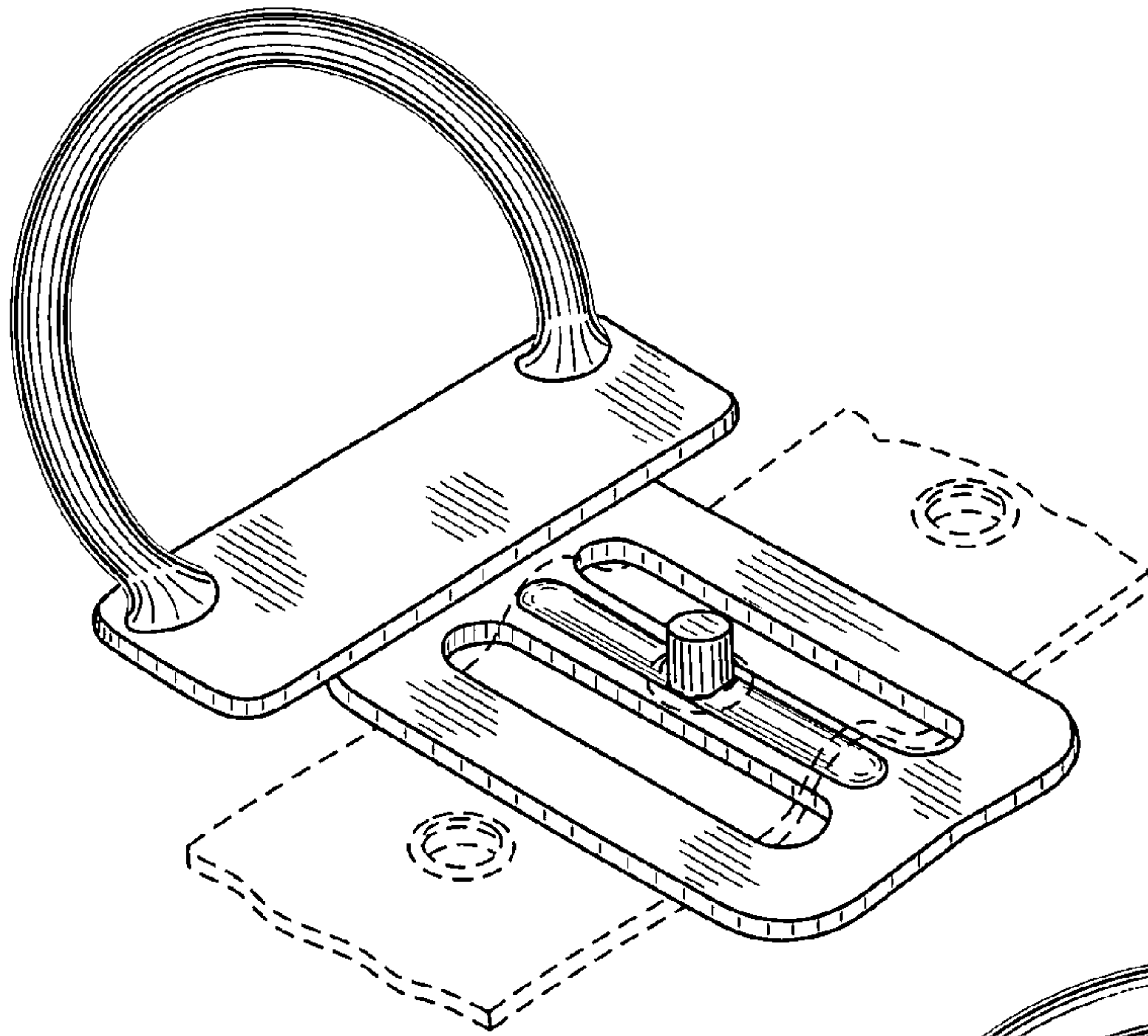


FIG. 1

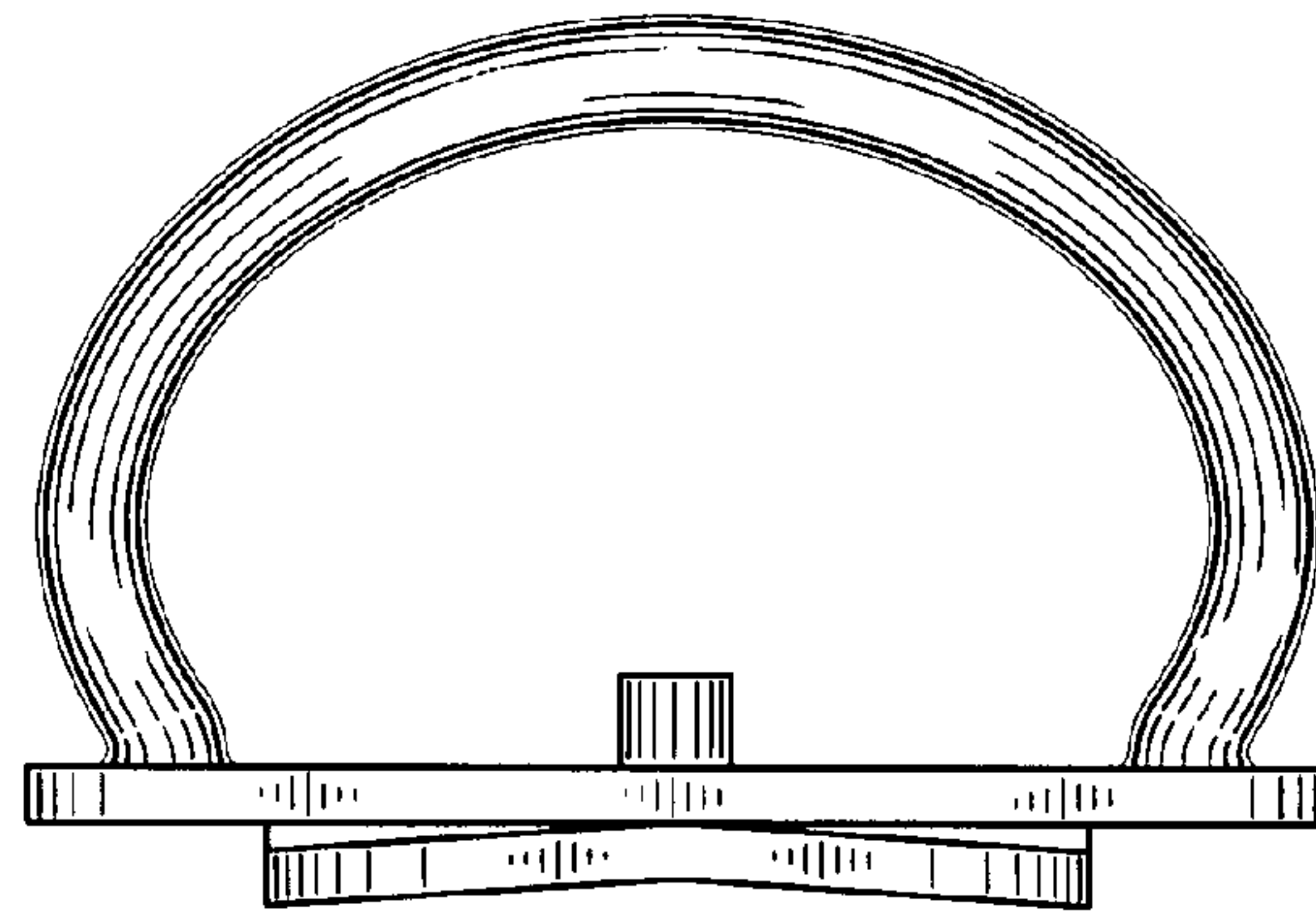


FIG. 2

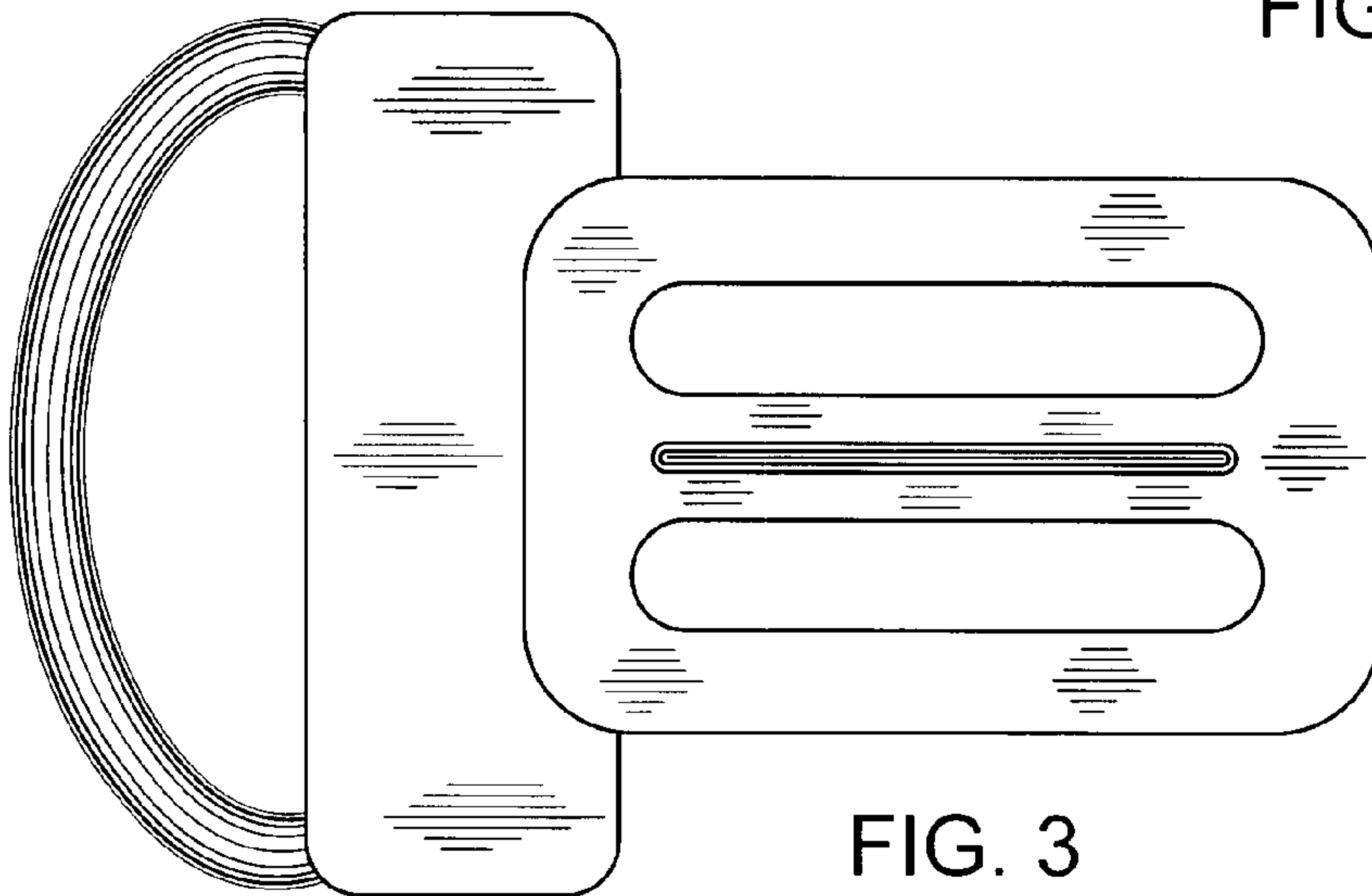


FIG. 3

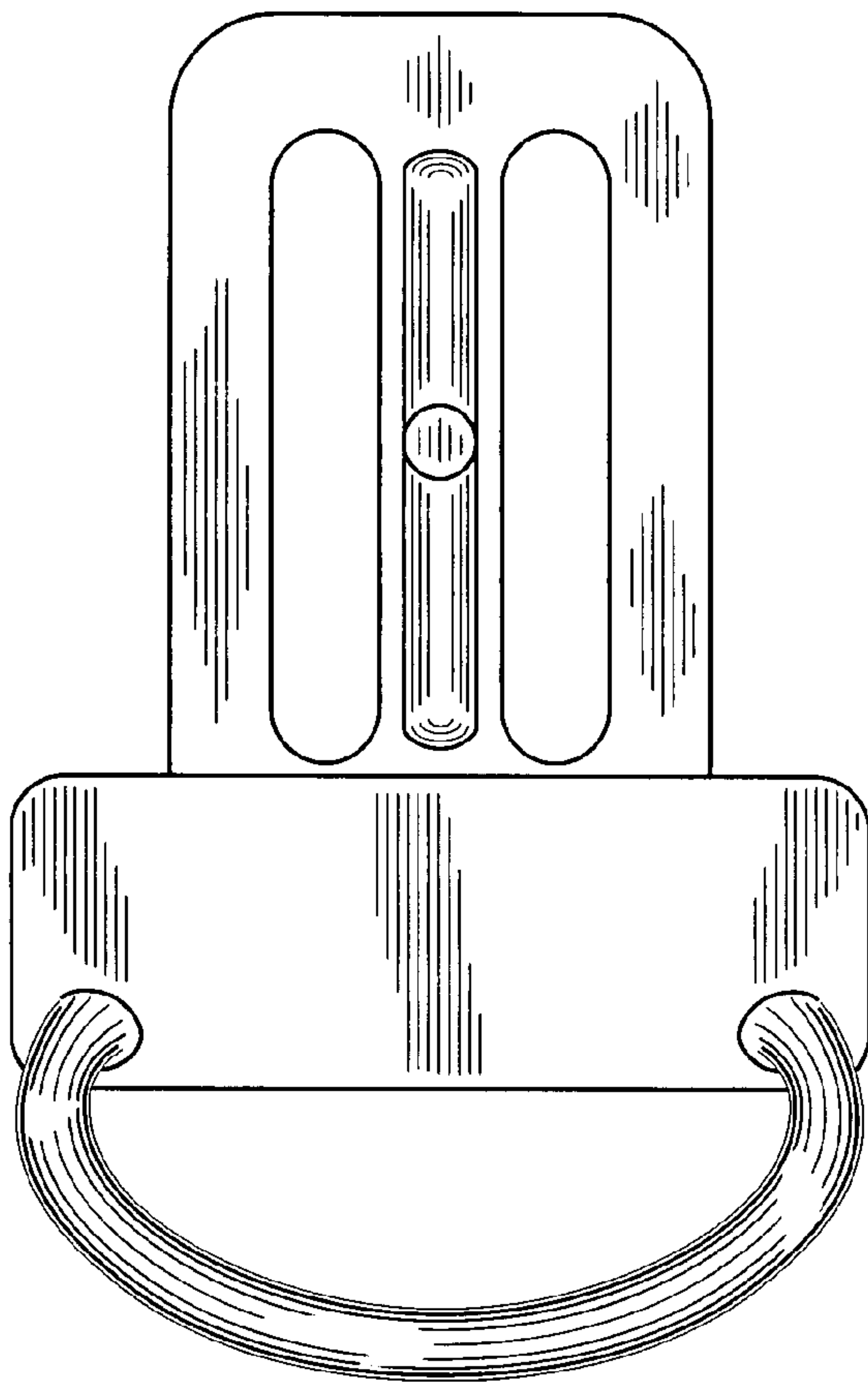


FIG. 4

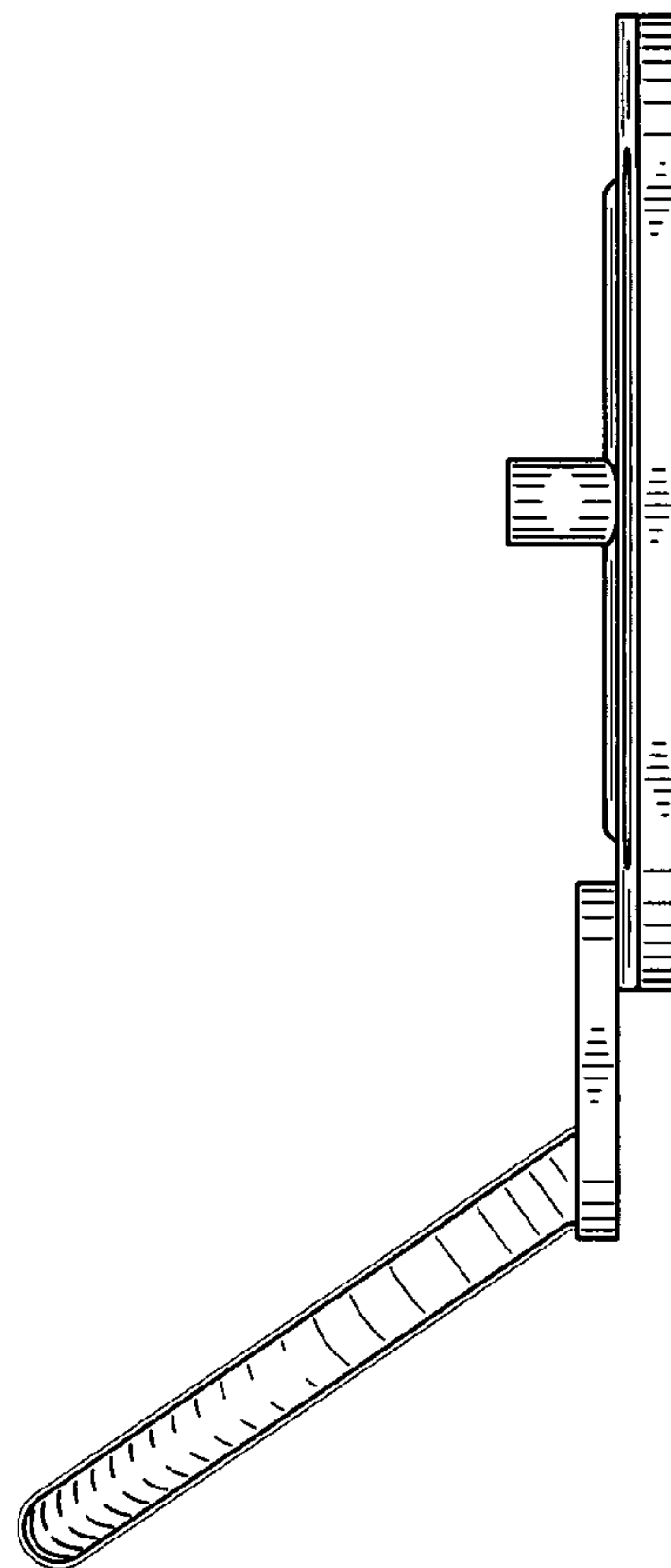


FIG. 5

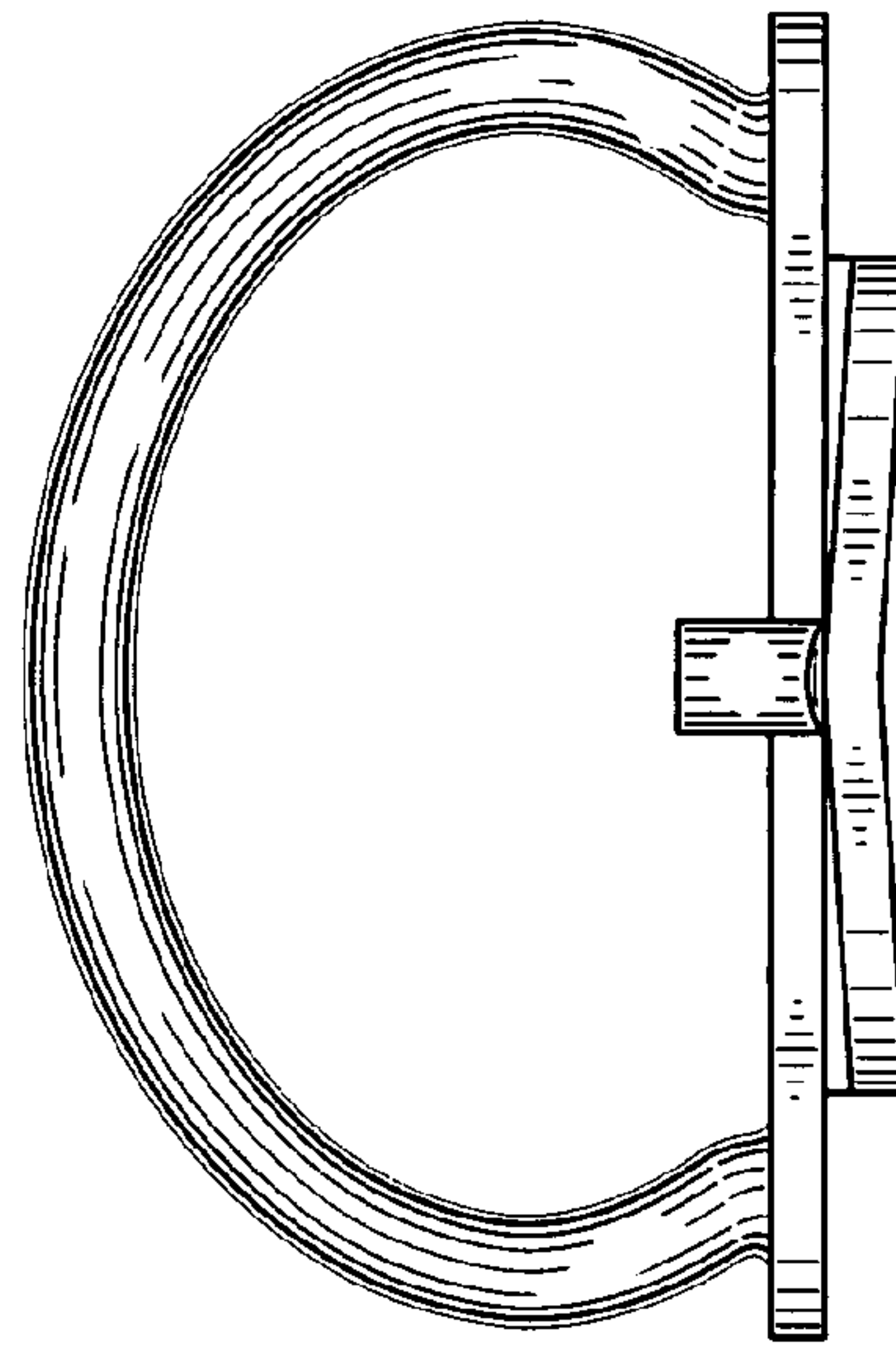


FIG. 6