



US00D576472S

(12) **United States Design Patent**
Gaiardo

(10) **Patent No.:** **US D576,472 S**

(45) **Date of Patent:** **** Sep. 9, 2008**

(54) **CONNECTOR FOR USE IN BUILDING CONSTRUCTION**

5,109,646 A * 5/1992 Colonias et al. 52/712
D370,171 S * 5/1996 Emerson D8/354
6,523,321 B1 * 2/2003 Leek et al. 52/702

(75) Inventor: **Paul Gaiardo**, Auckland (NZ)

* cited by examiner

(73) Assignee: **ITW Australia Pty Ltd**, Victoria (AU)

Primary Examiner—Holly H Baynham

(**) Term: **14 Years**

(74) *Attorney, Agent, or Firm*—Lowe, Hauptman, Ham & Berner, LLP

(21) Appl. No.: **29/277,403**

(57) **CLAIM**

(22) Filed: **Feb. 23, 2007**

A new original design for a connector for use in building construction, as shown and described herein.

(30) **Foreign Application Priority Data**

Aug. 25, 2006 (AU) 13830/2006

DESCRIPTION

(51) **LOC (8) Cl.** **08-05**

FIG. 1 is a front perspective view of a connector for use in building construction;

(52) **U.S. Cl.** **D8/354**

FIG. 2 is a left side view of the connector of FIG. 1;

(58) **Field of Classification Search** D8/349,
D8/354; 52/702, 712-713, 715, 289
See application file for complete search history.

FIG. 3 is a perspective view of the connector of FIG. 1 from above;

(56) **References Cited**

FIG. 4 is an underneath perspective view of the connector of FIG. 1; and,

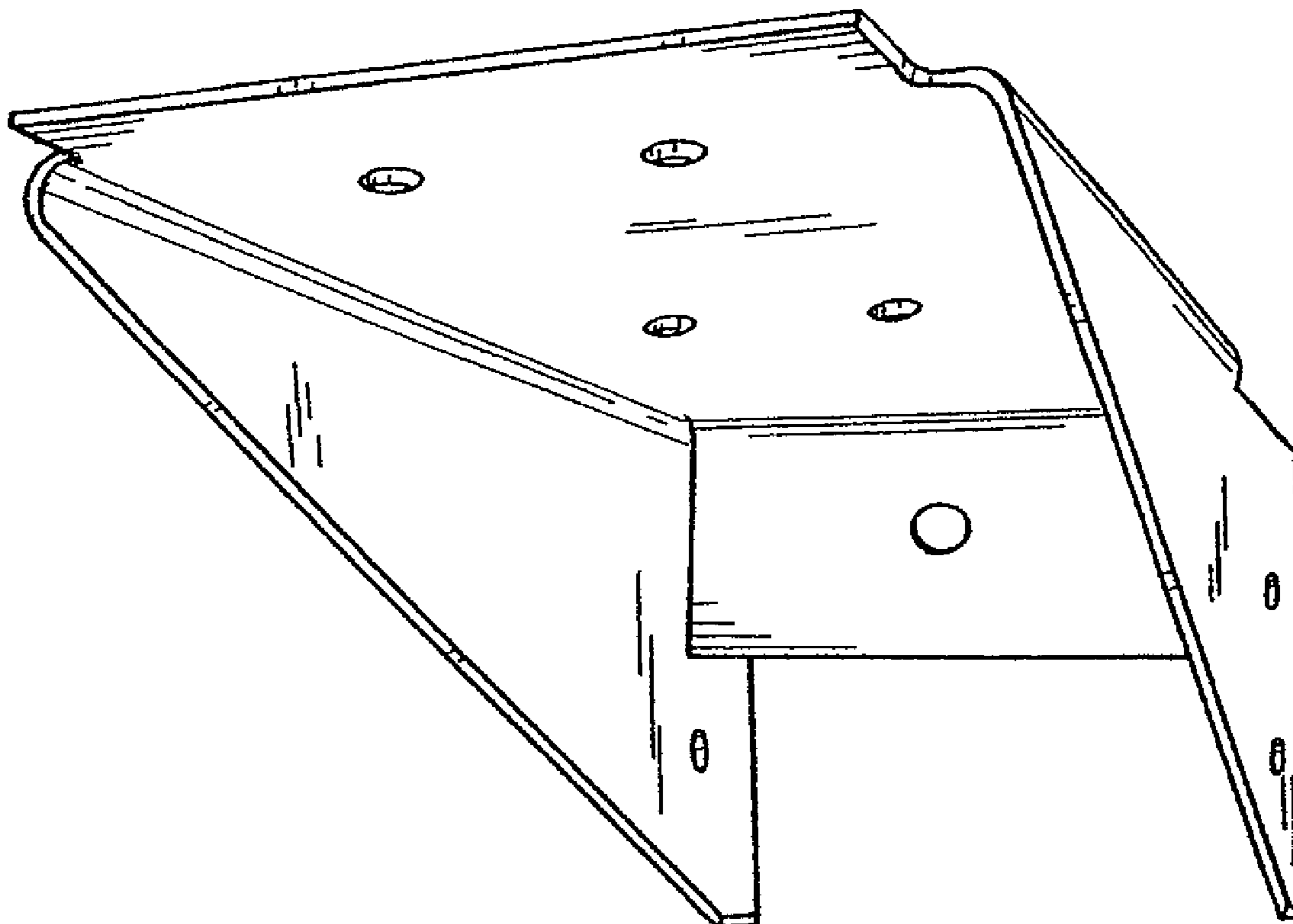
U.S. PATENT DOCUMENTS

FIG. 5 is a front view of the connector of FIG. 1.

804,451 A * 11/1905 Carlson 52/702
1,728,981 A * 9/1929 Ropp 52/702
4,964,253 A * 10/1990 Loeffler 52/289
5,092,097 A * 3/1992 Young 52/702

The right side view of the connector is a mirror image of the left side view thereof.

1 Claim, 4 Drawing Sheets



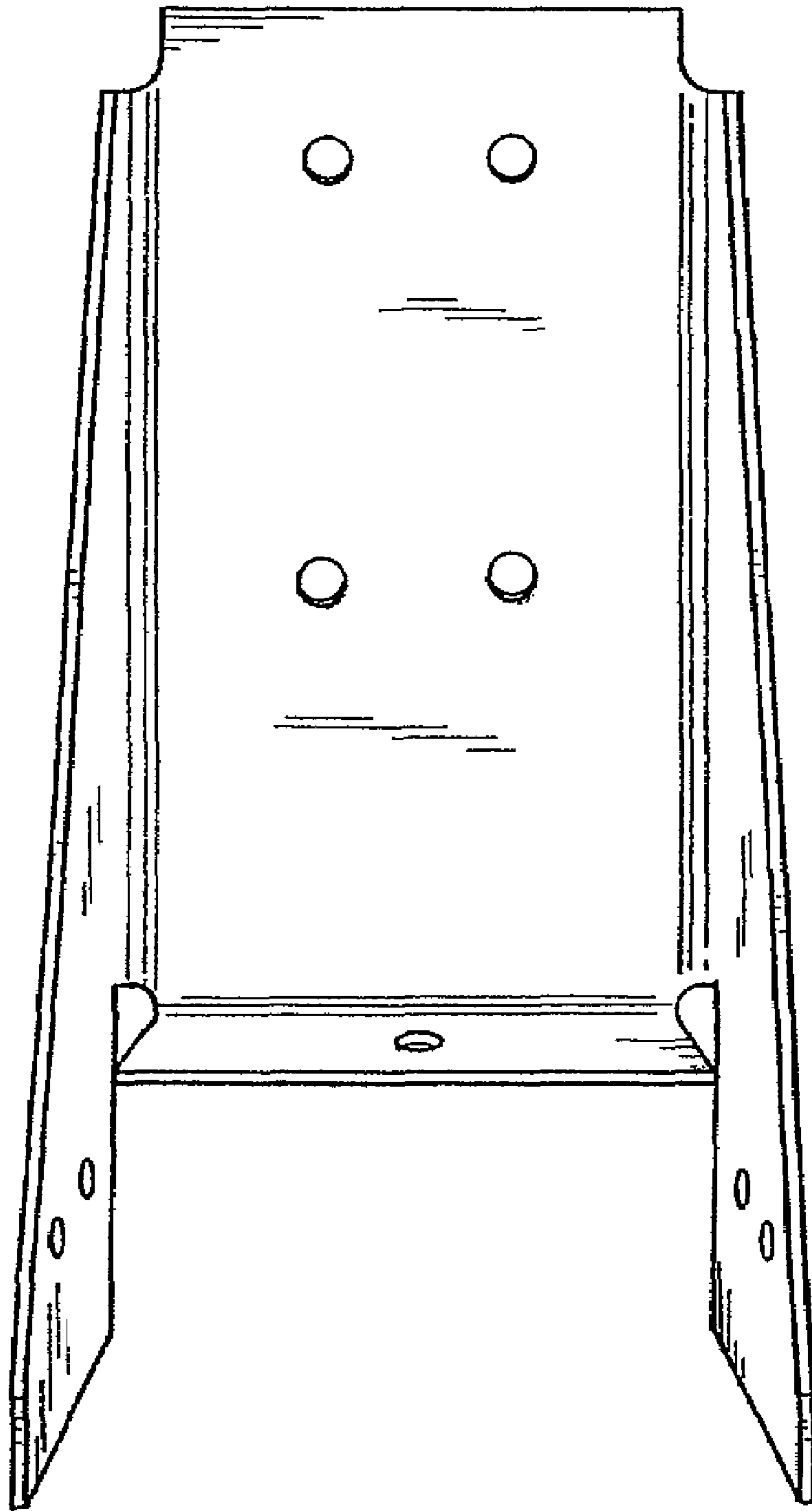


Fig. 1

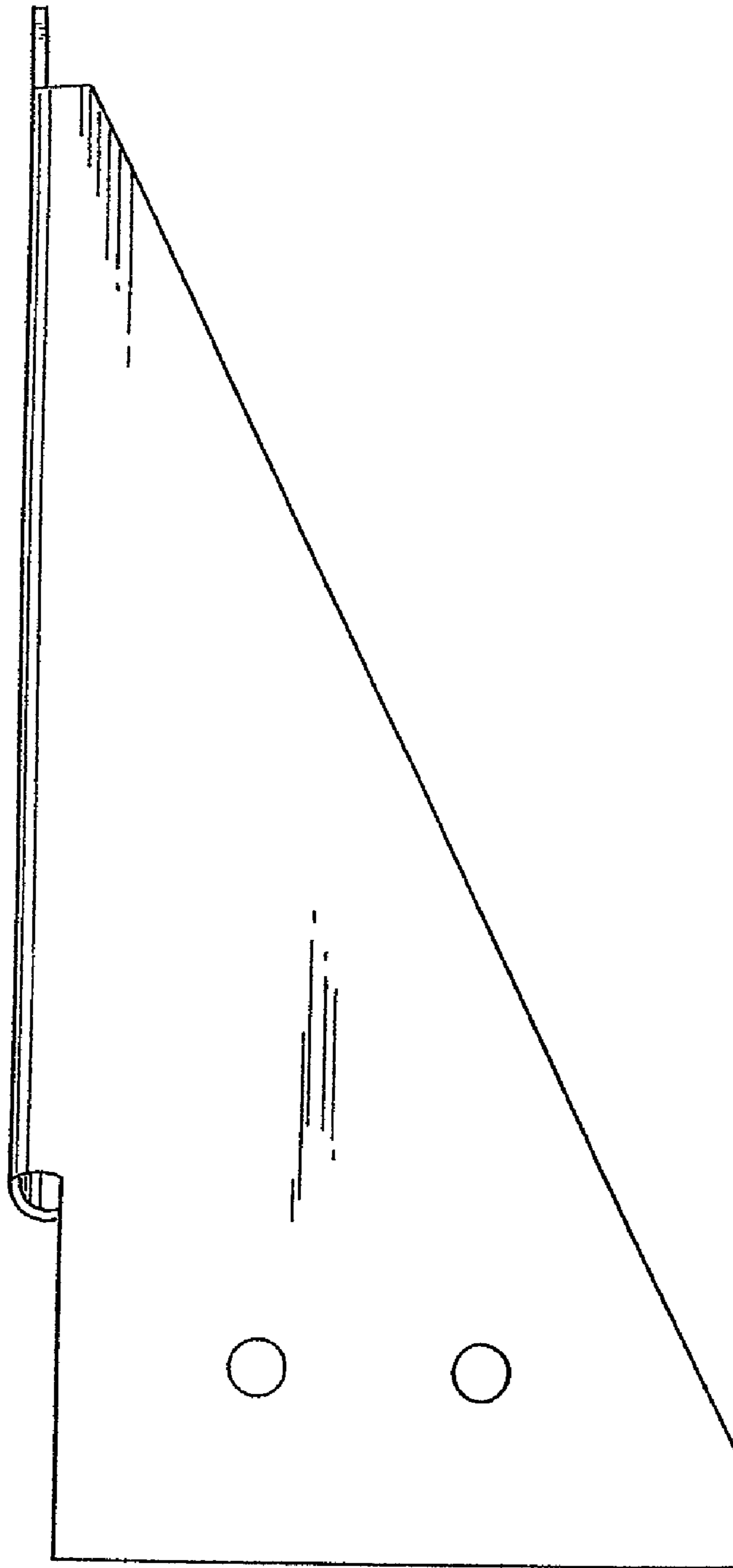


Fig. 2

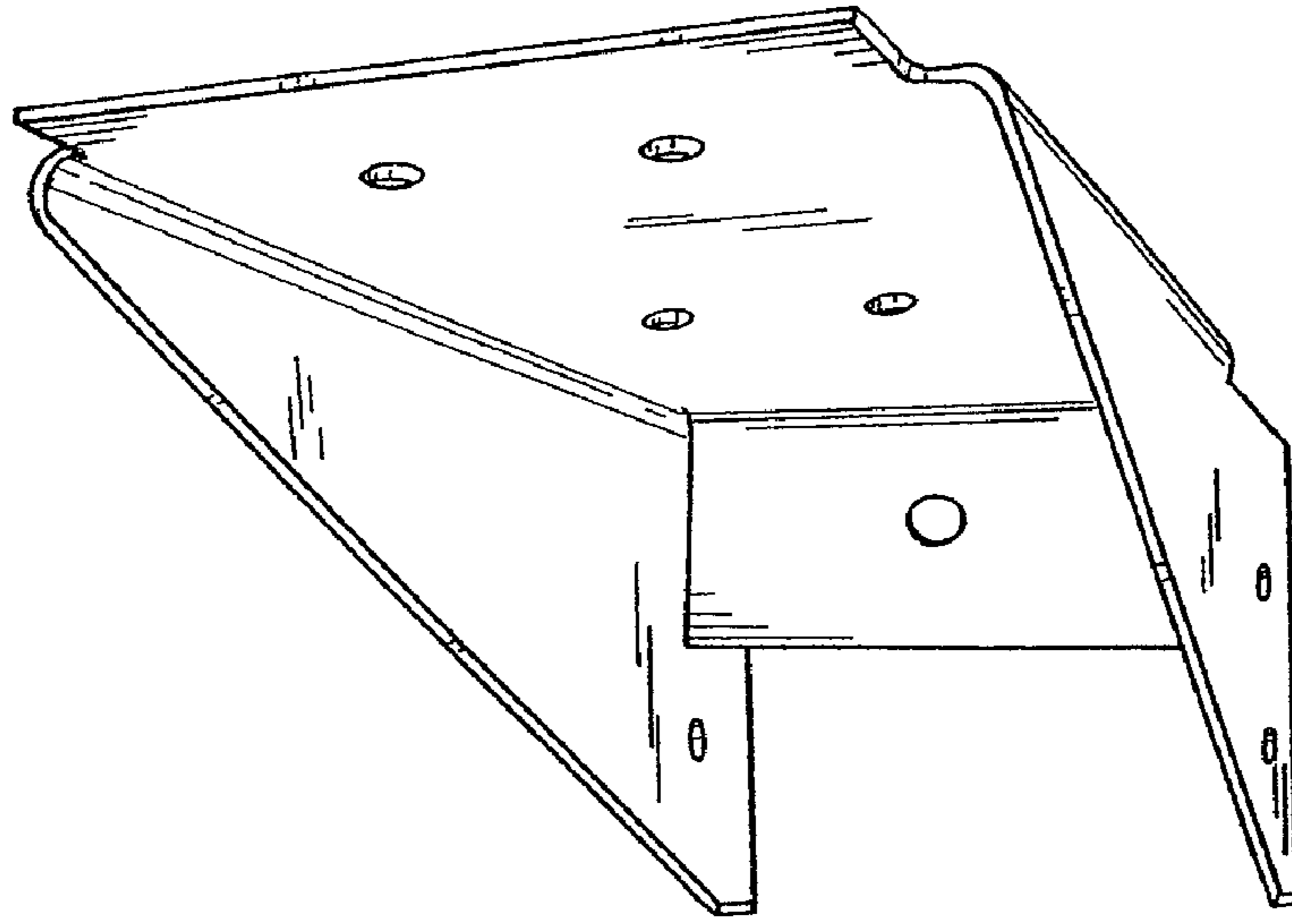


Fig. 3

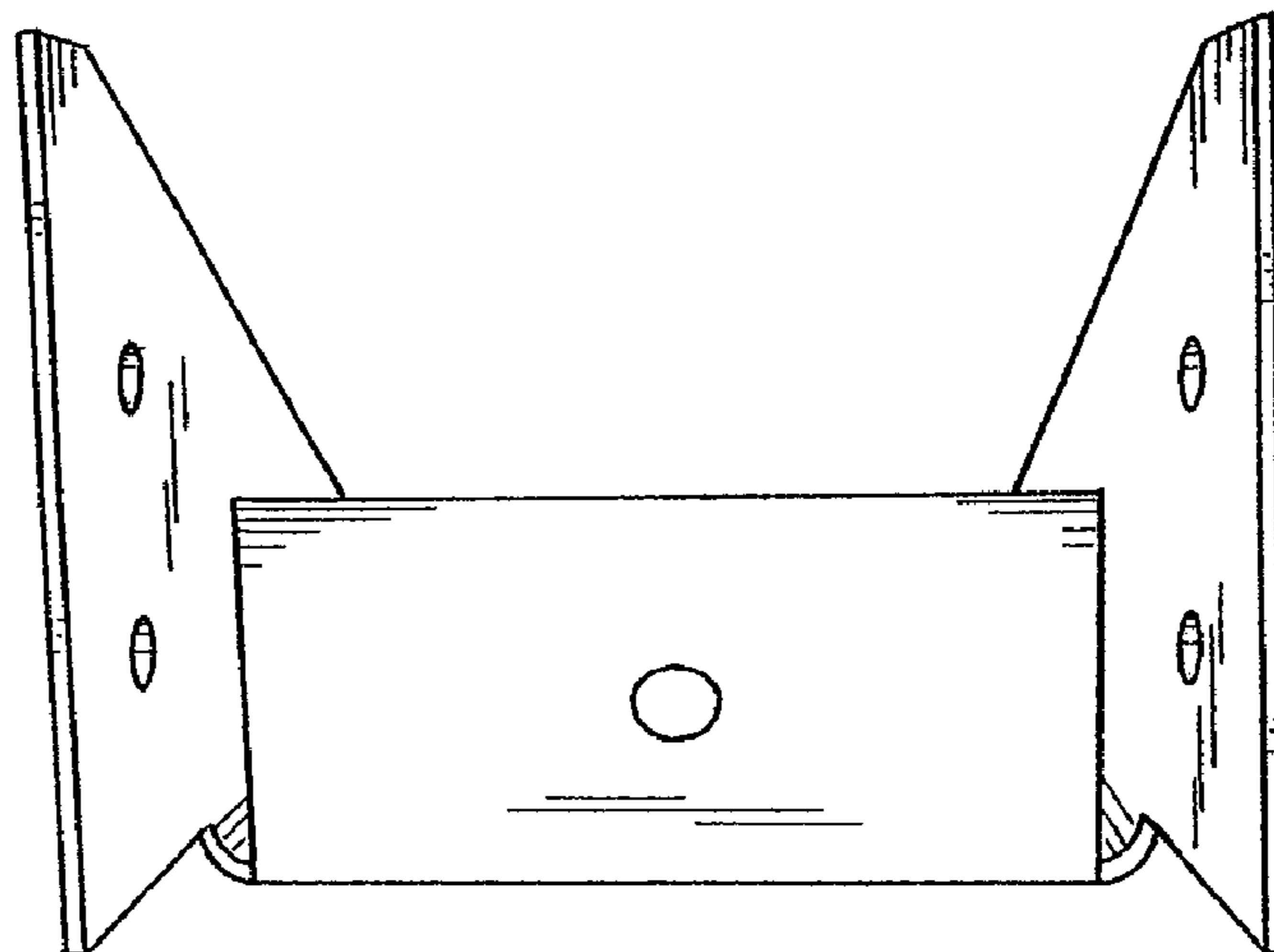


Fig. 4

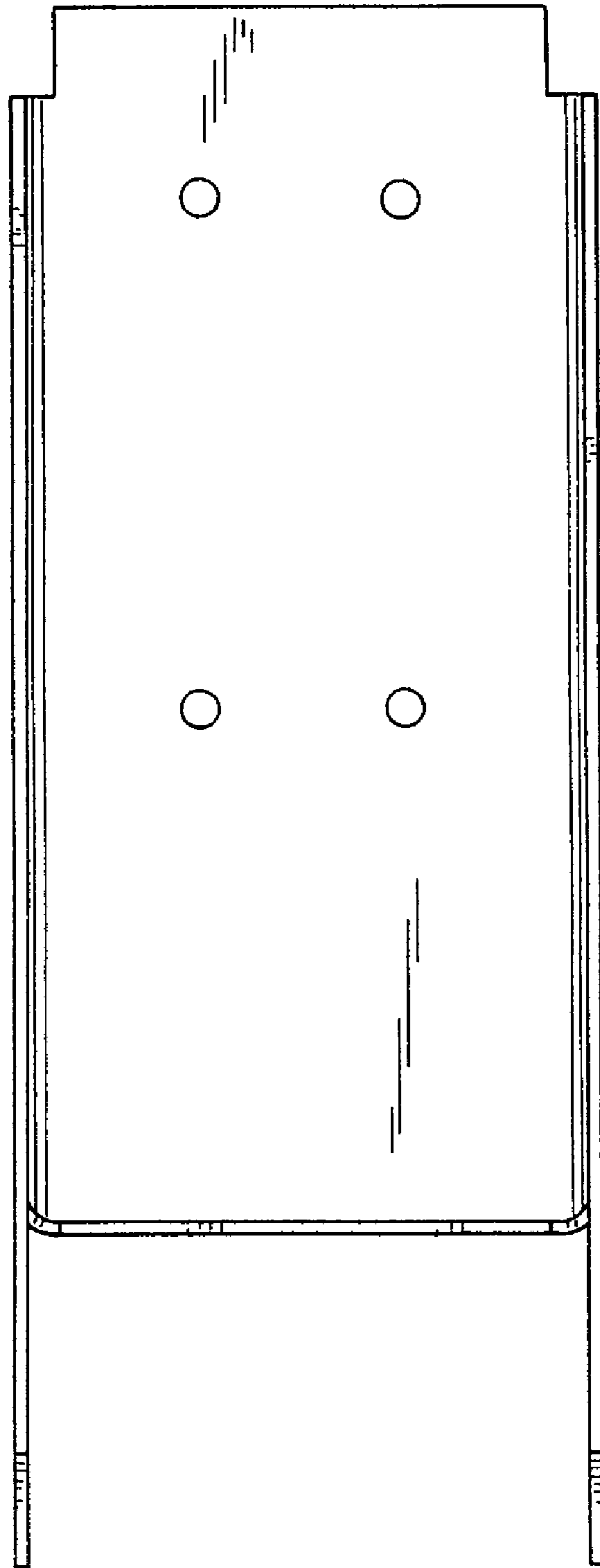


Fig. 5