



US00D576470S

(12) **United States Design Patent**
Thompson

(10) **Patent No.:** **US D576,470 S**
(45) **Date of Patent:** **** Sep. 9, 2008**

(54) **FURNITURE COMPONENT**

(75) Inventor: **David W. Thompson**, New Albany, OH
(US)

(73) Assignee: **American Signature, Inc.**, Columbus,
OH (US)

(**) Term: **14 Years**

(21) Appl. No.: **29/292,740**

(22) Filed: **Oct. 26, 2007**

Related U.S. Application Data

(62) Division of application No. 29/259,066, filed on May
2, 2006.

(51) **LOC (8) Cl.** **08-06**

(52) **U.S. Cl.** **D8/307; D8/310**

(58) **Field of Classification Search** D8/300,
D8/307, 310; D7/393; D6/491; 16/110.1,
16/412, 414, 415, 441; 292/347
See application file for complete search history.

(56) **References Cited**

U.S. PATENT DOCUMENTS

1,286,745 A	12/1918	Otte	
D204,685 S	5/1966	Davis	
D212,379 S	10/1968	Dudas et al.	
D221,052 S	7/1971	McCain et al.	
D238,241 S	12/1975	Ziskin	
D248,445 S	7/1978	Palm, Jr.	
D284,444 S *	7/1986	Baumgarten D7/393
D327,407 S *	6/1992	Clayton D8/310
5,255,413 A	10/1993	Sabo	
D357,851 S	5/1995	Off	
D368,638 S	4/1996	Sonnenleiter	

5,657,652 A	8/1997	Martin	
D429,455 S	8/2000	Burns et al.	
D452,413 S	12/2001	Rae	
D453,466 S *	2/2002	Dewald et al. D8/310

OTHER PUBLICATIONS

Baldwin Decorative Architectural hardware c1986 #5020.*

* cited by examiner

Primary Examiner—Paula A Greene

(74) *Attorney, Agent, or Firm*—Wood, Herron & Evans,
L.L.P.

(57) **CLAIM**

The ornamental design for a furniture component, as shown
and described.

DESCRIPTION

FIG. 1 is a front elevational view of a furniture component
showing my new design.

FIG. 2 is an enlarged front elevational view thereof.

FIG. 3 is a front elevational view thereof, depicting the knob
shaded for the color gray, mounted on a wood panel shaded
for the color brown

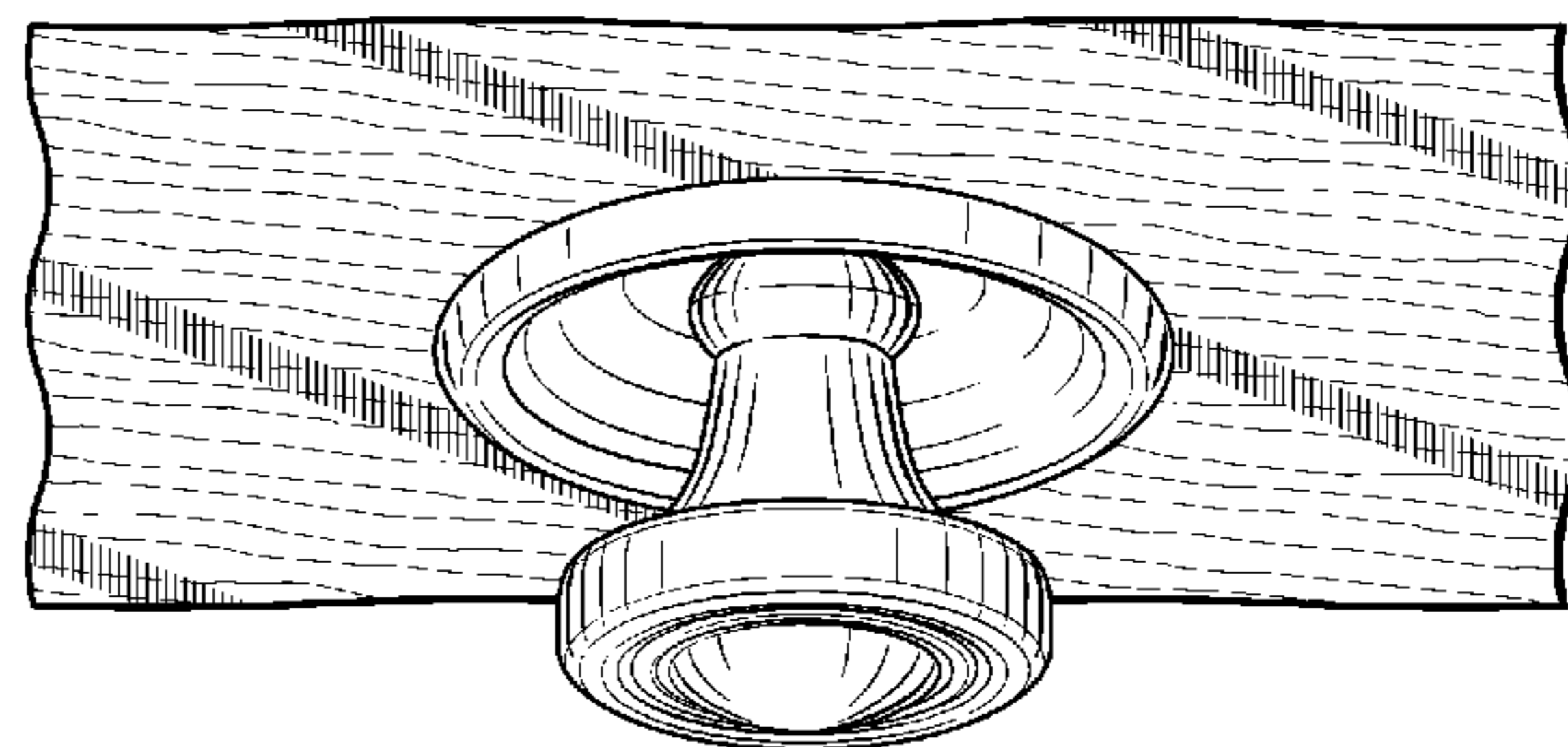
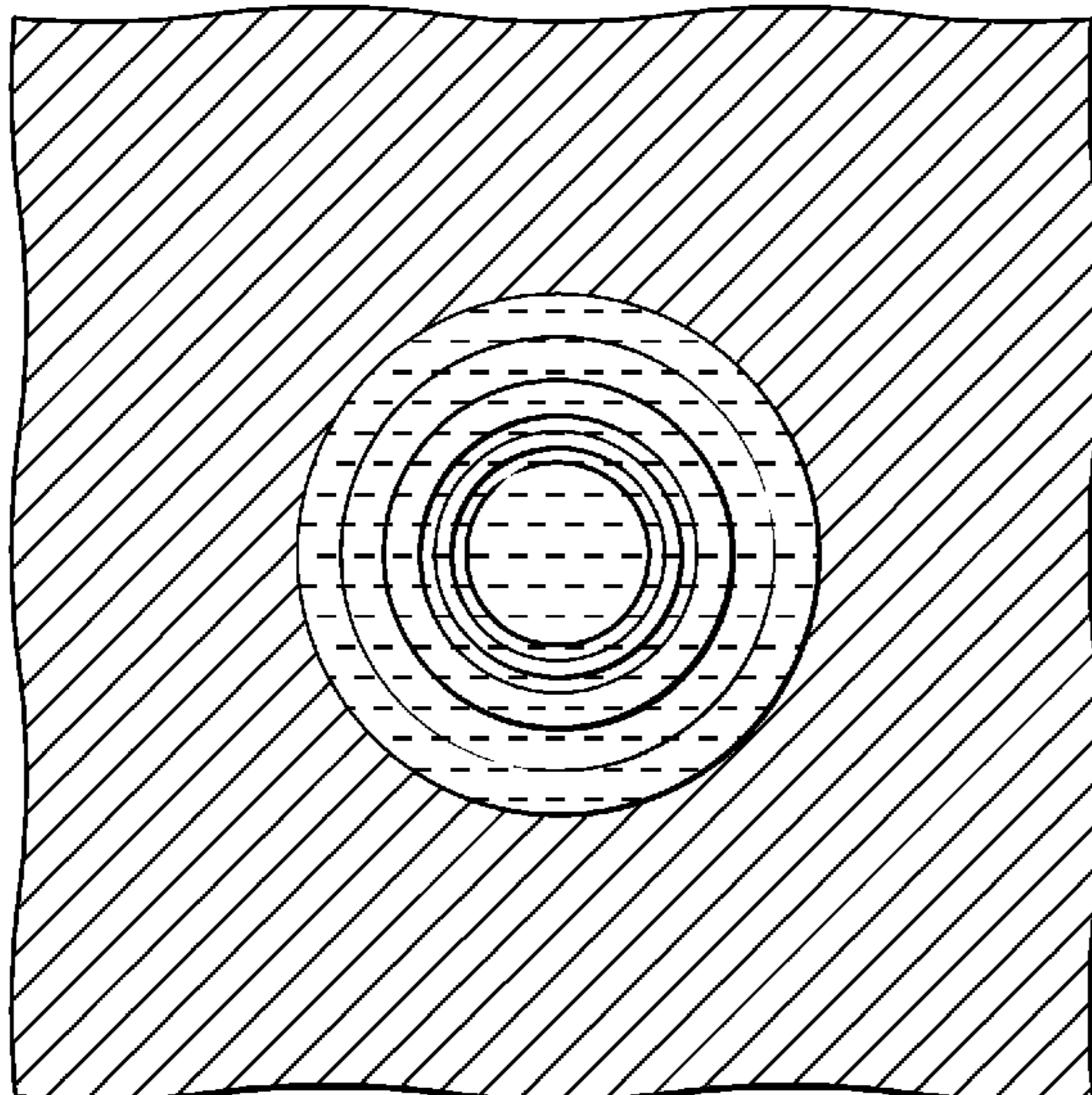
FIG. 4 is a top plan view thereof, with the right-side and
left-side elevational views thereof, and the bottom plan view
thereof, being identical; and,

FIG. 5 is a perspective view of the top and front thereof, with
perspective views taken at the same angle, but in different
directions, being identical.

The rear thereof forms no part of the claimed design.

The broken lines in FIG. 1 depict environment and form no
part of the claimed design.

1 Claim, 3 Drawing Sheets



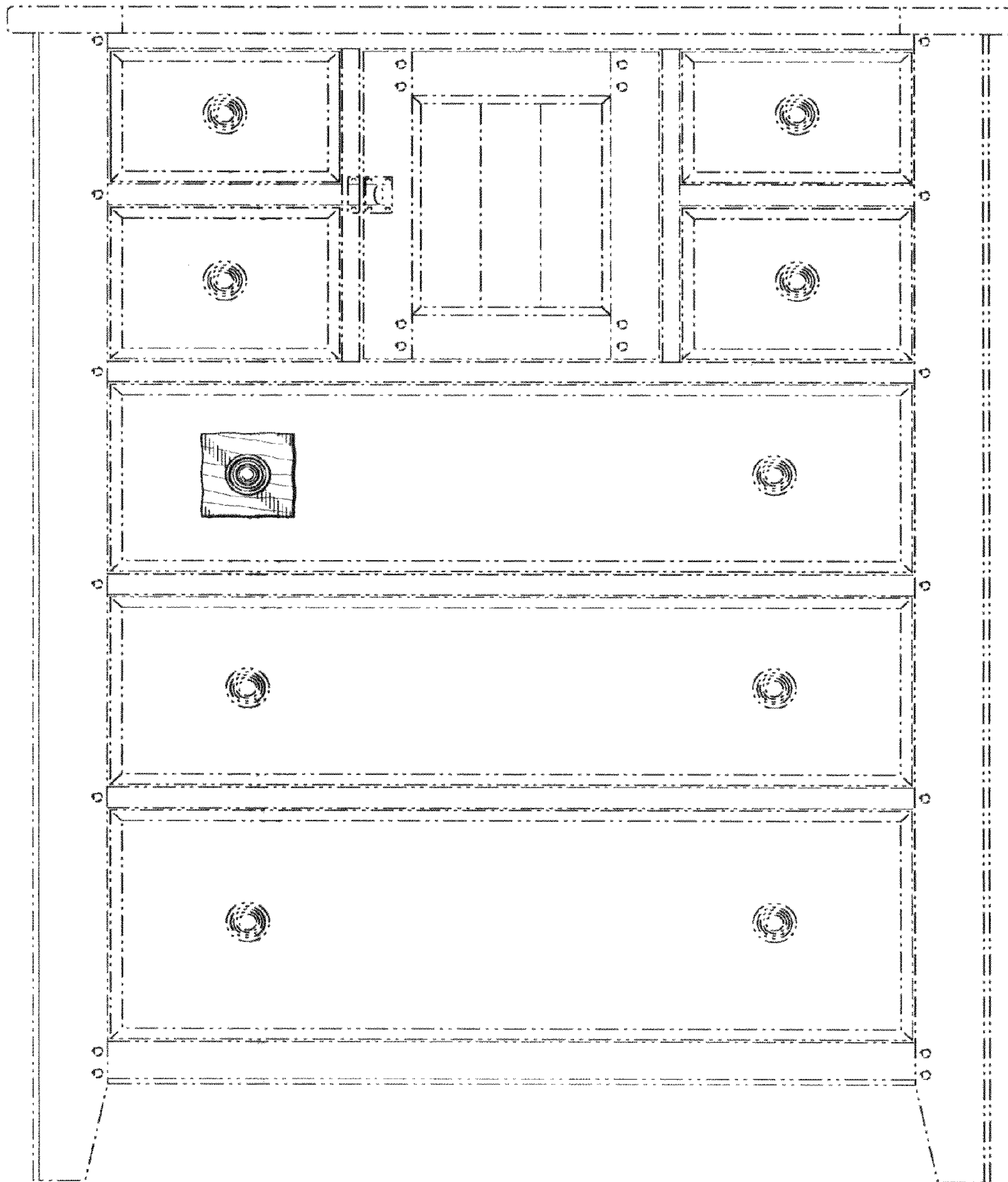


FIG. 1

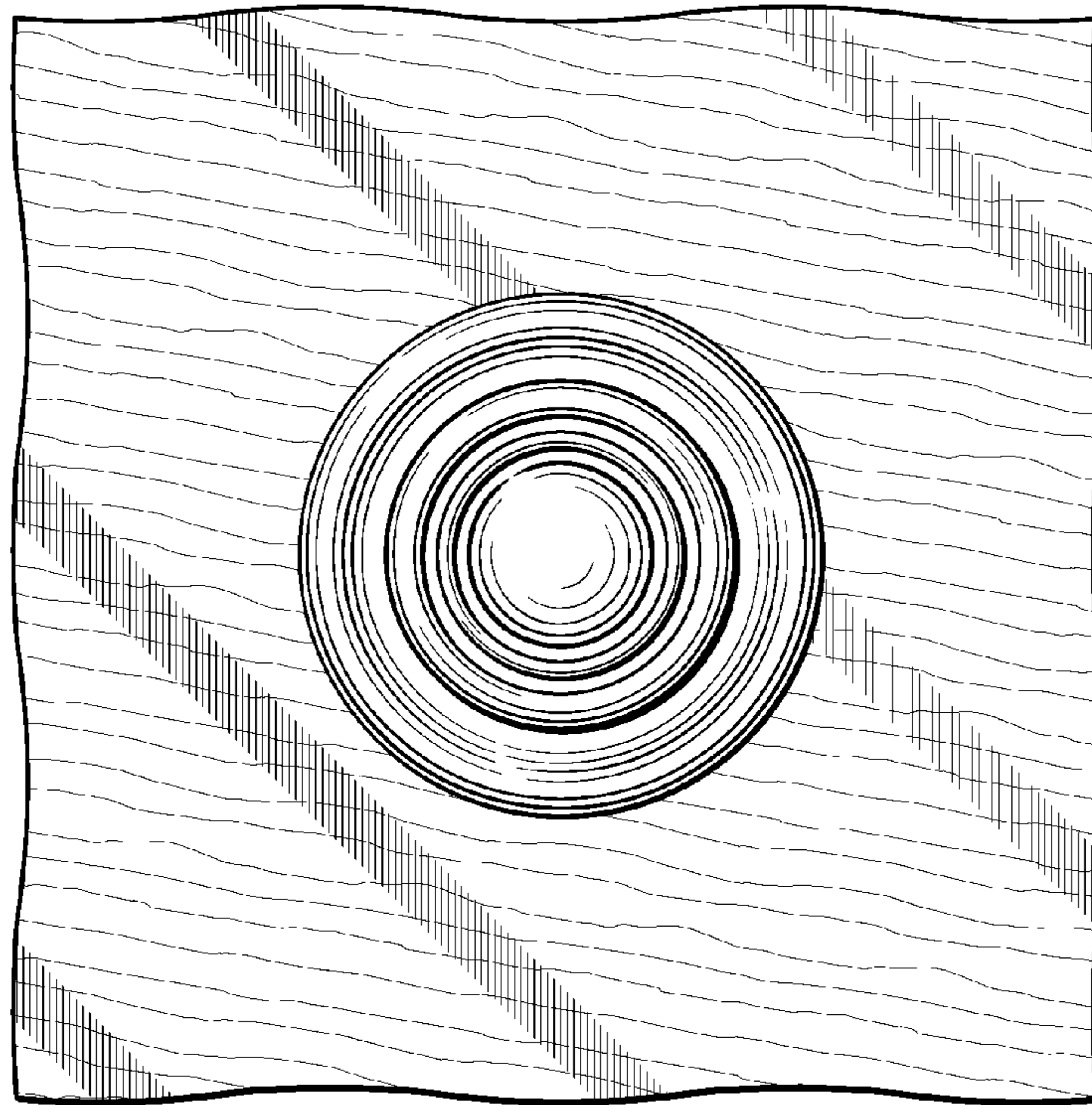


FIG. 2

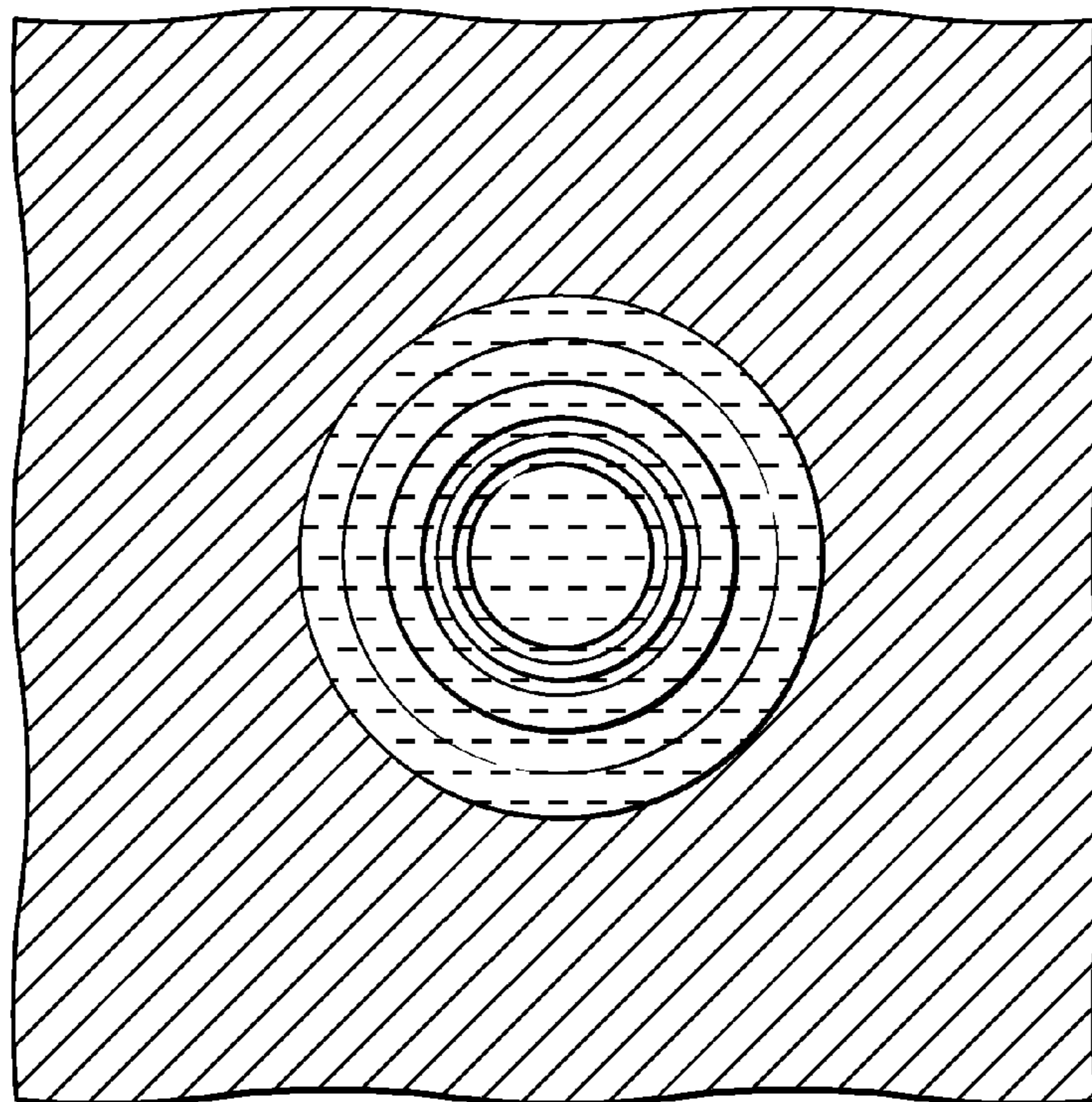


FIG. 3

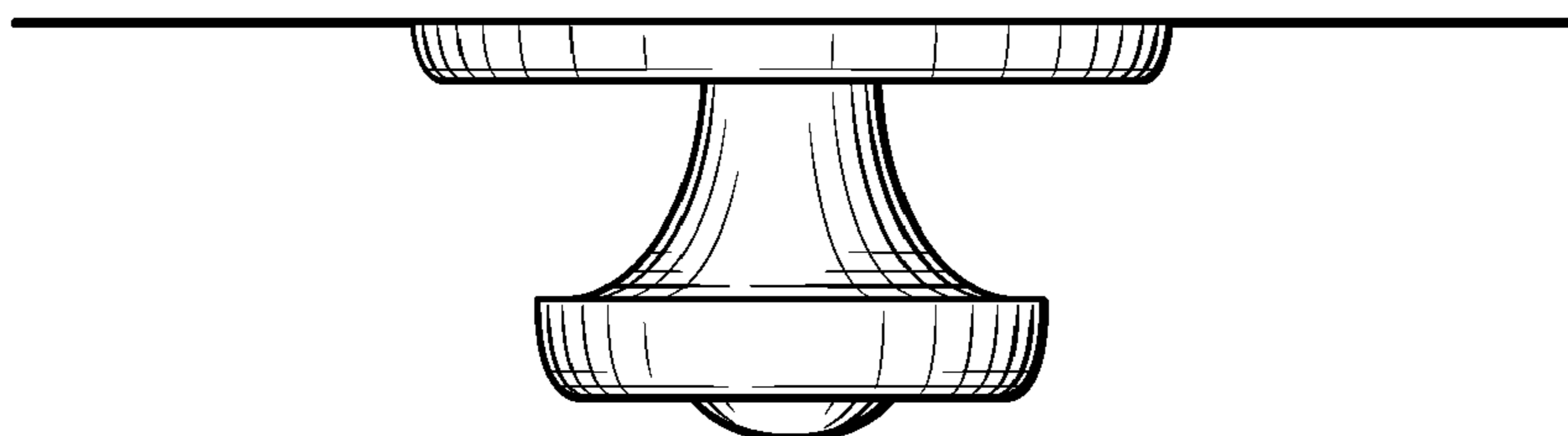


FIG. 4

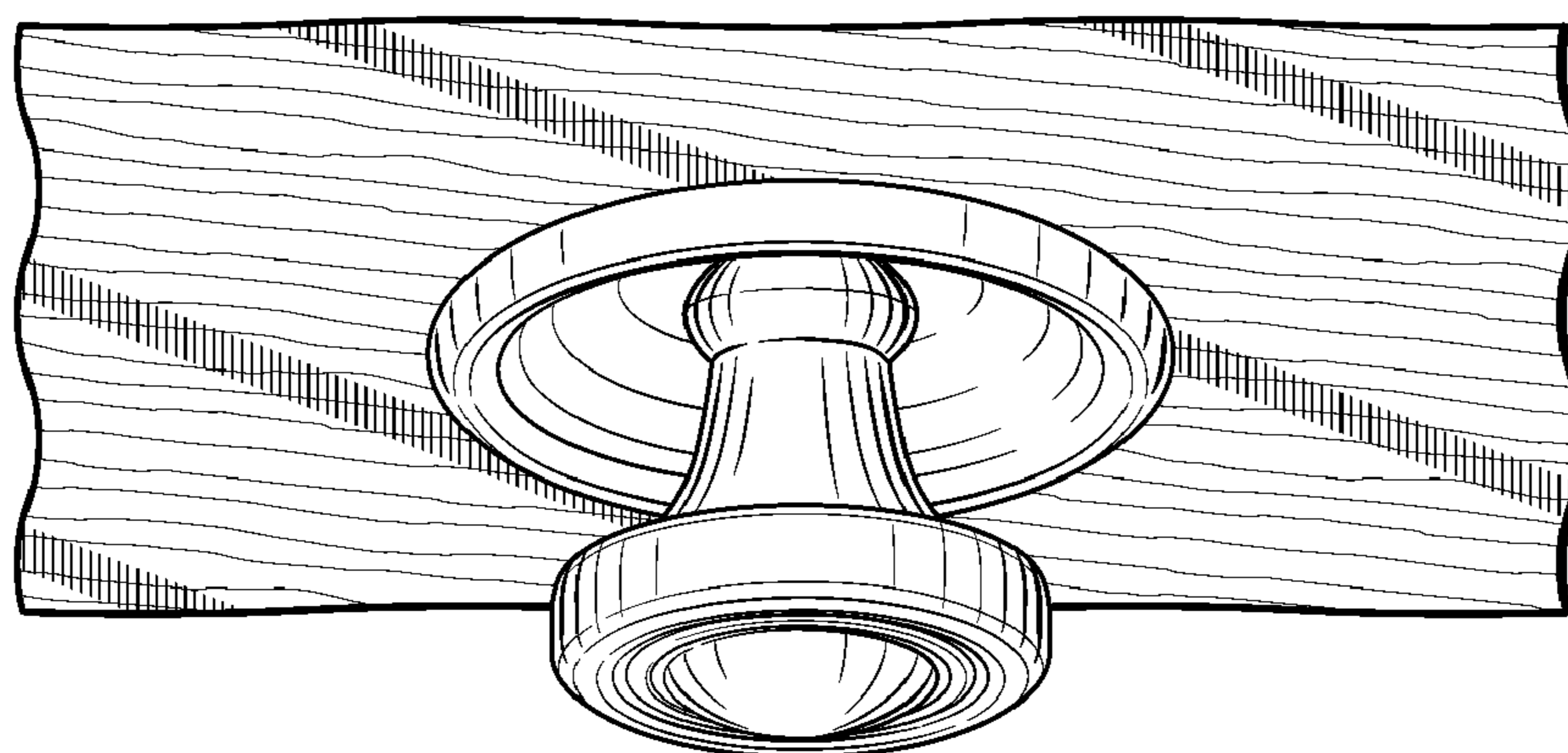


FIG. 5