



US00D576469S

(12) **United States Design Patent**
Haug et al.

(10) **Patent No.:** **US D576,469 S**

(45) **Date of Patent:** **** Sep. 9, 2008**

(54) **HANDLE**

(75) Inventors: **Andreas Haug**, Stuttgart (DE); **Tom Schönherr**, Stuttgart (DE); **Andreas Dimitriadis**, Lorch (DE); **Peter Kolin**, Schwäbisch Gmünd (DE)

(73) Assignee: **Hansgrohe AG** (DE)

(**) Term: **14 Years**

(21) Appl. No.: **29/247,325**

(22) Filed: **Jun. 12, 2006**

(30) **Foreign Application Priority Data**

Dec. 15, 2005 (EM) 000449178-0002

(51) **LOC (8) Cl.** **08-06**

(52) **U.S. Cl.** **D8/300; D8/307**

(58) **Field of Classification Search** D8/300,
D8/307, 308, 312, DIG. 2, DIG. 3; D23/250-254;
16/110.1; 4/675-678; 126/317; 137/359,
137/801; D7/679

See application file for complete search history.

(56) **References Cited**

U.S. PATENT DOCUMENTS

1,030,144 A * 6/1912 Tyne 4/678

D76,995 S * 11/1928 Fraser D23/254
2,708,449 A * 5/1955 Keithley 137/359
D276,544 S * 11/1984 Piesco D23/254
4,998,321 A * 3/1991 Gaffney et al. 16/110.1
D321,630 S * 11/1991 Hollinger D7/679
D478,374 S * 8/2003 Smith D23/250
D523,727 S * 6/2006 Haug et al. D8/307
D530,791 S * 10/2006 Kohler et al. D23/254

* cited by examiner

Primary Examiner—Paula Greene

(74) *Attorney, Agent, or Firm*—Leon E. Redman; Lloyd D. Doigan

(57) **CLAIM**

The ornamental design for a handle, as shown and described.

DESCRIPTION

FIG. 1 is a front perspective view of a handle showing our design;

FIG. 2 is a top plan view thereof;

FIG. 3 is a left side elevational view thereof; the right side elevational view being a mirror image thereof;

FIG. 4 is a bottom plan view thereof; and,

FIG. 5 is a front elevational view thereof.

1 Claim, 2 Drawing Sheets

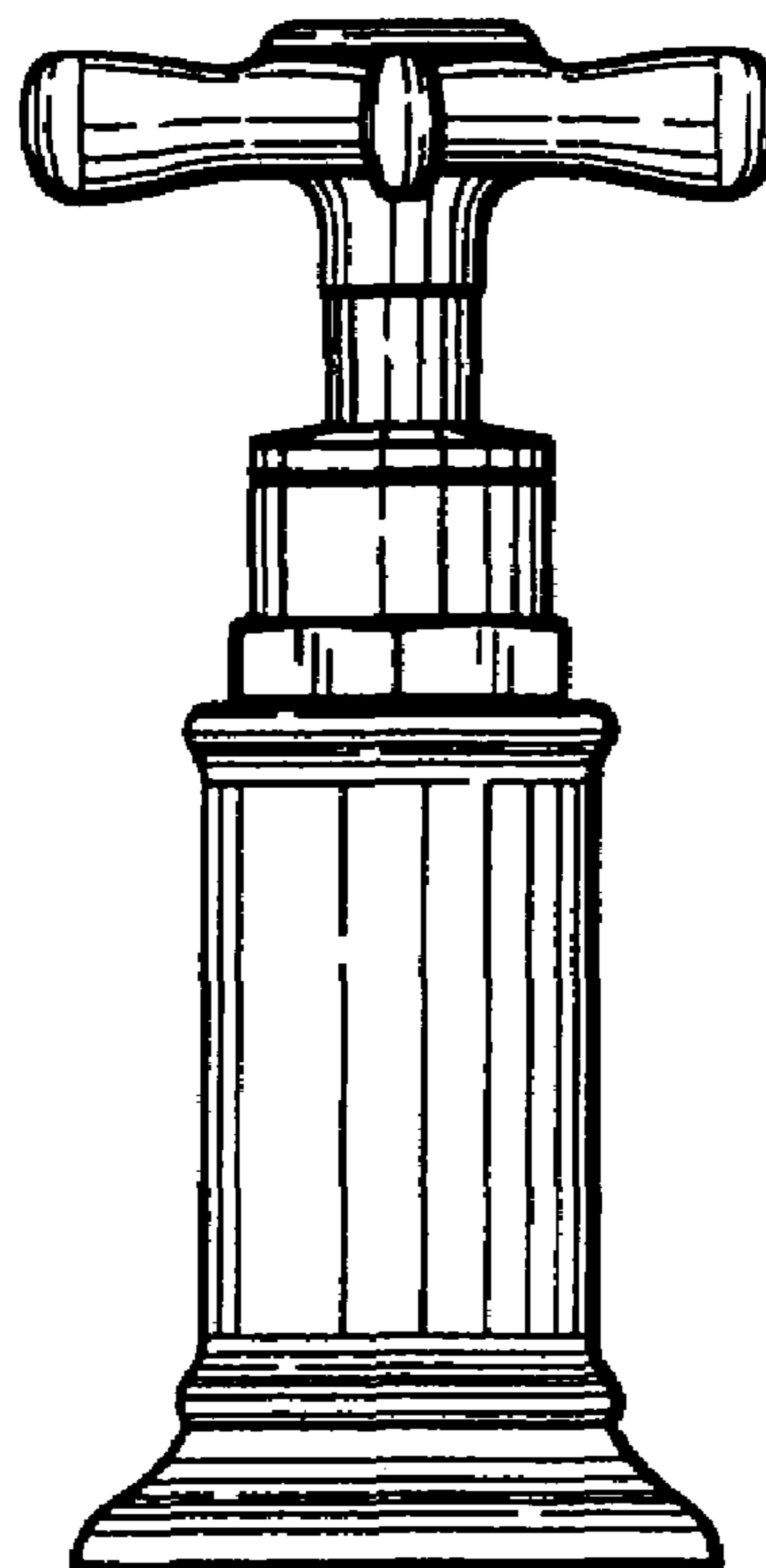
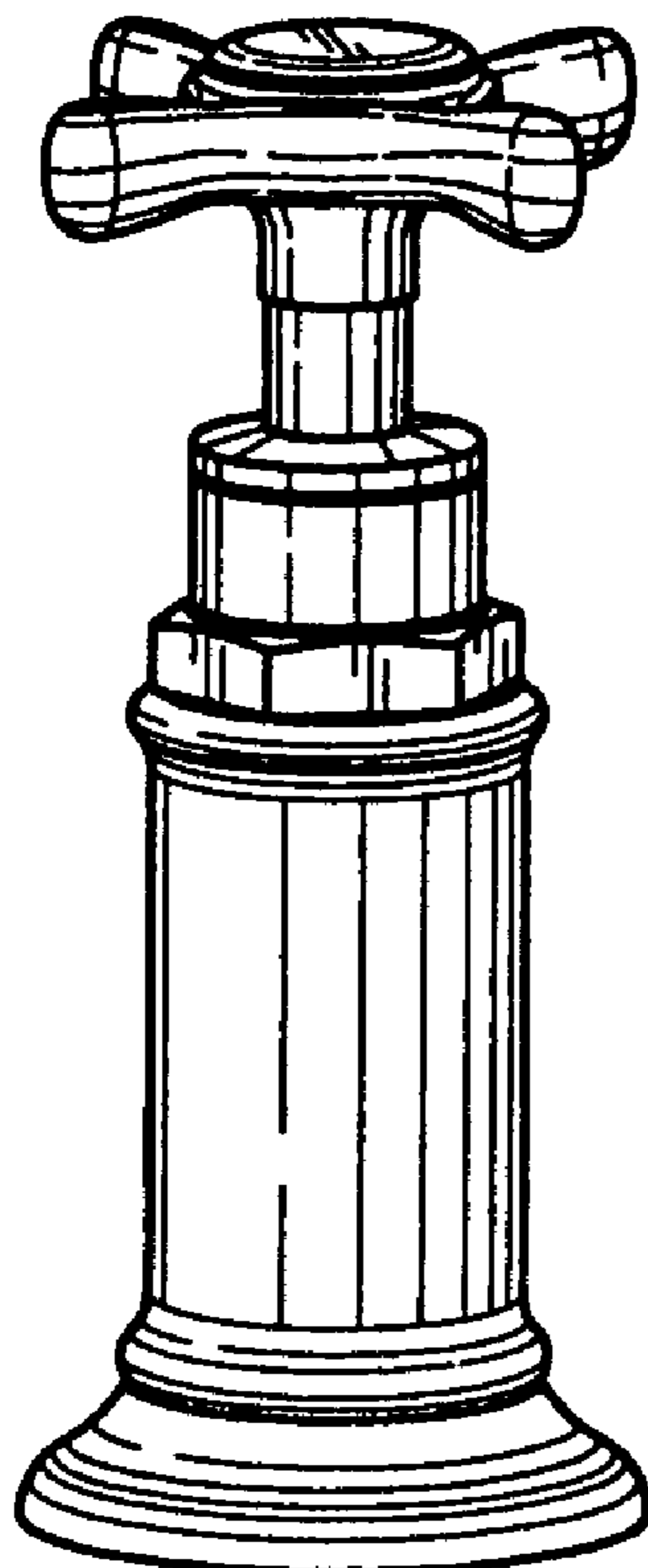


FIG. 1

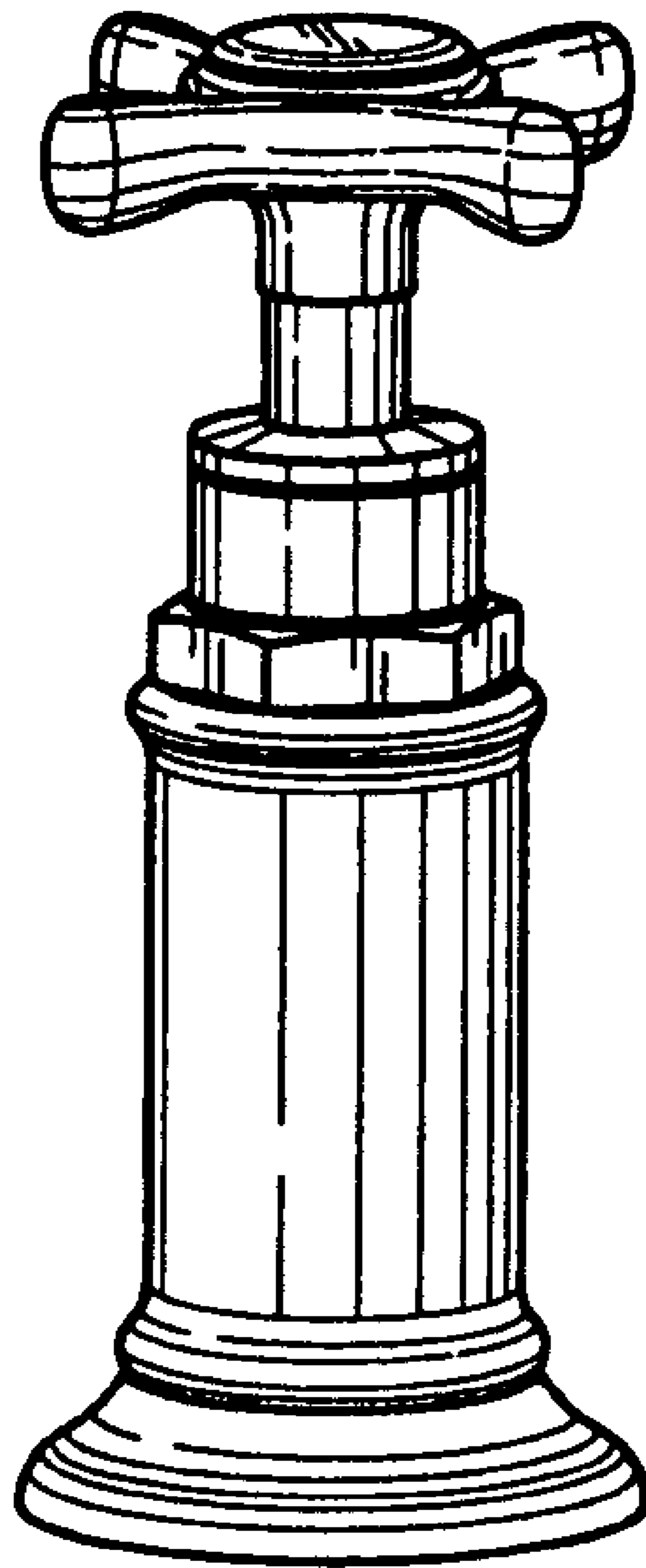


FIG. 2

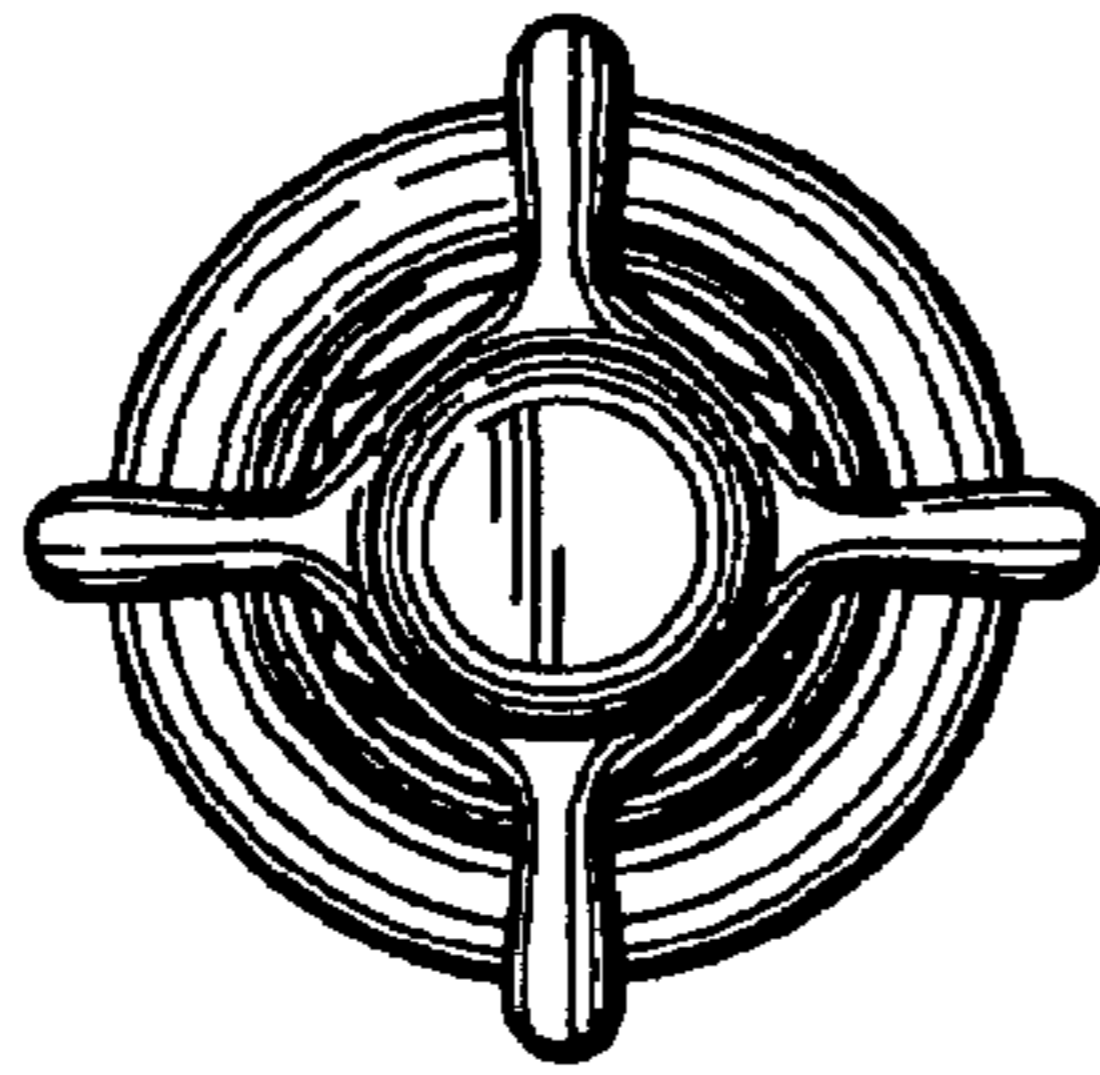


FIG. 3

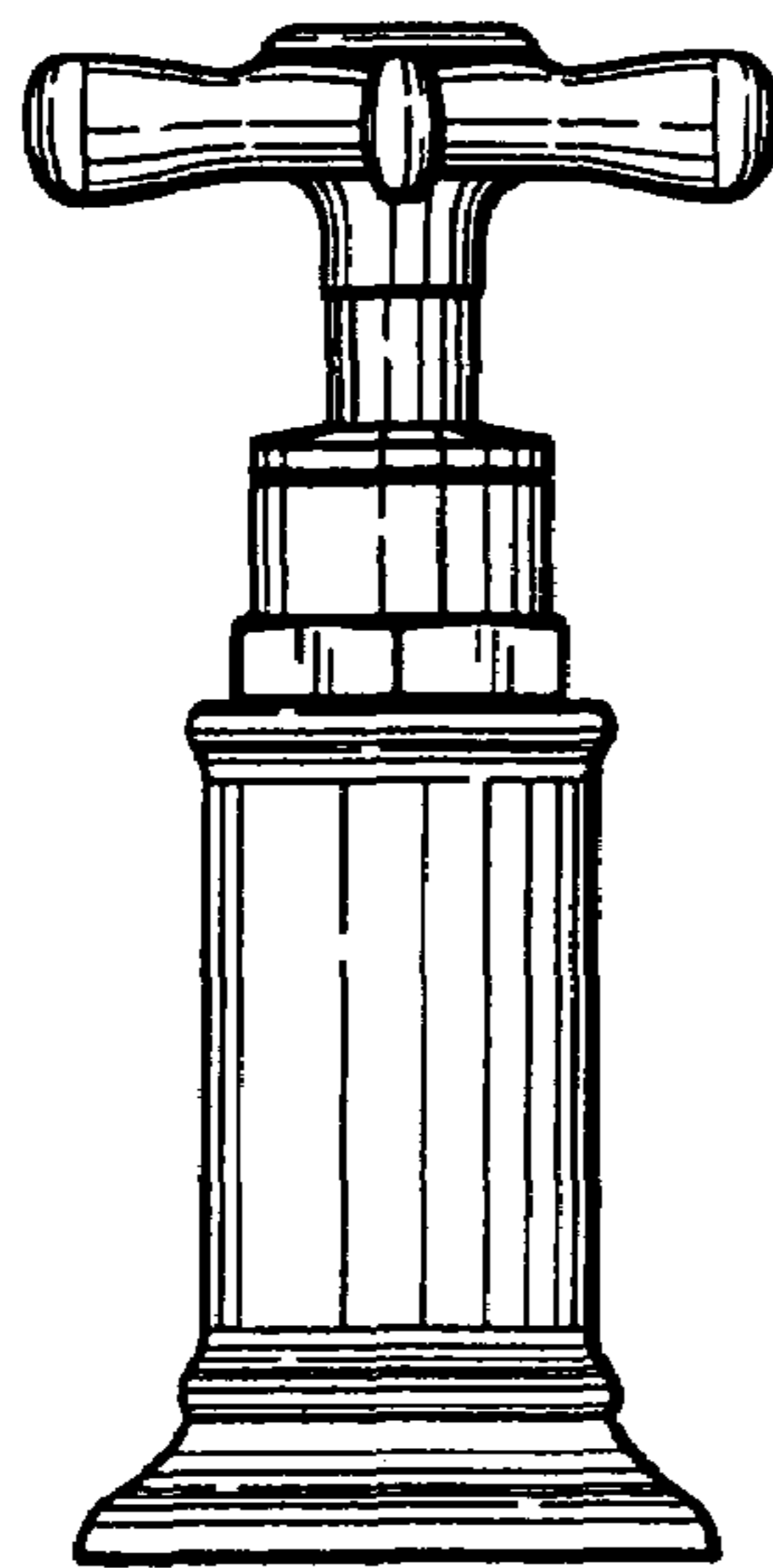


FIG. 5

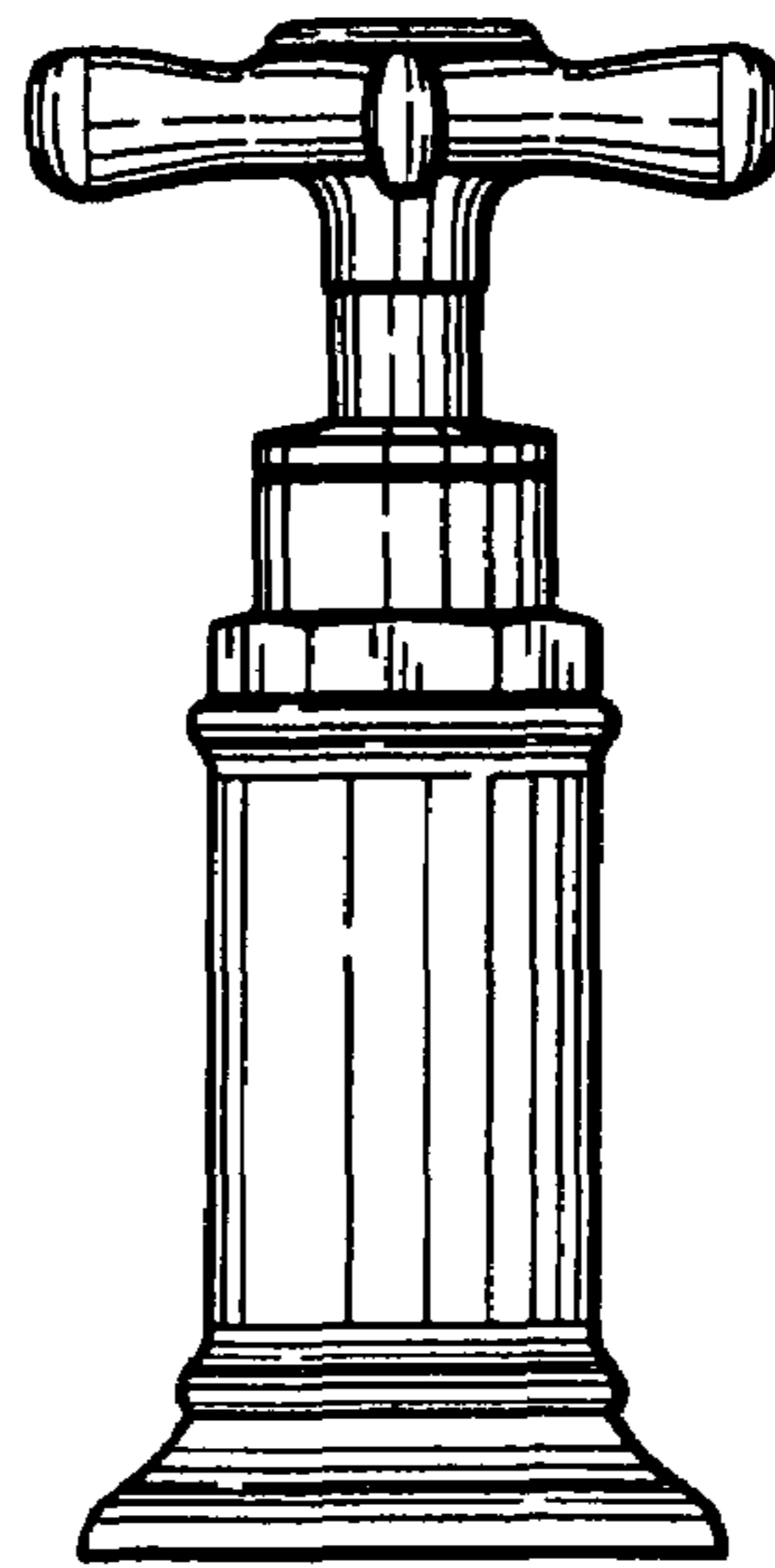


FIG. 4

