



US00D576461S

(12) **United States Design Patent**
Bast

(10) **Patent No.:** **US D576,461 S**

(45) **Date of Patent:** **** Sep. 9, 2008**

(54) **ANGLE GRINDER**

(75) Inventor: **Markus Bast**, Winnenden (DE)

(73) Assignee: **AEG Electric Tools GmbH**, Winnenden (DE)

(**) Term: **14 Years**

(21) Appl. No.: **29/303,661**

(22) Filed: **Feb. 14, 2008**

(30) **Foreign Application Priority Data**

Aug. 16, 2007 (EM) 000775051-0007

(51) **LOC (8) Cl.** **08-01**

(52) **U.S. Cl.** **D8/62**

(58) **Field of Classification Search** D32/15,
D32/17, 19; D8/67, 62, 61; D4/102; 451/456,
451/451, 359, 358, 357, 356, 355, 354, 353,
451/351, 344; 310/50; 173/170

See application file for complete search history.

(56) **References Cited**

U.S. PATENT DOCUMENTS

D347,153 S *	5/1994	Uneyama	D8/62
D351,772 S *	10/1994	Price	D8/62
D378,183 S *	2/1997	Dognini	D8/62
D411,424 S *	6/1999	Saito	D8/62
D437,199 S *	2/2001	Robson	D8/62

D447,029 S *	8/2001	Sun et al.	D8/61
D468,179 S *	1/2003	Hayakawa et al.	D8/62
D506,662 S *	6/2005	Watson	D8/62
D527,966 S *	9/2006	Hayakawa et al.	D8/62
D540,638 S *	4/2007	Concari	D8/62
D567,046 S *	4/2008	Henssler et al.	D8/61

* cited by examiner

Primary Examiner—Cathron Brooks

Assistant Examiner—Austin Murphy

(74) *Attorney, Agent, or Firm*—Gudrun E. Huckett

(57) **CLAIM**

The ornamental design for an angle grinder, as shown and described.

DESCRIPTION

FIG. 1 is a perspective bottom view of my angle grinder;

FIG. 2 is a perspective front view of my angle grinder;

FIG. 3 is a perspective side view of my angle grinder;

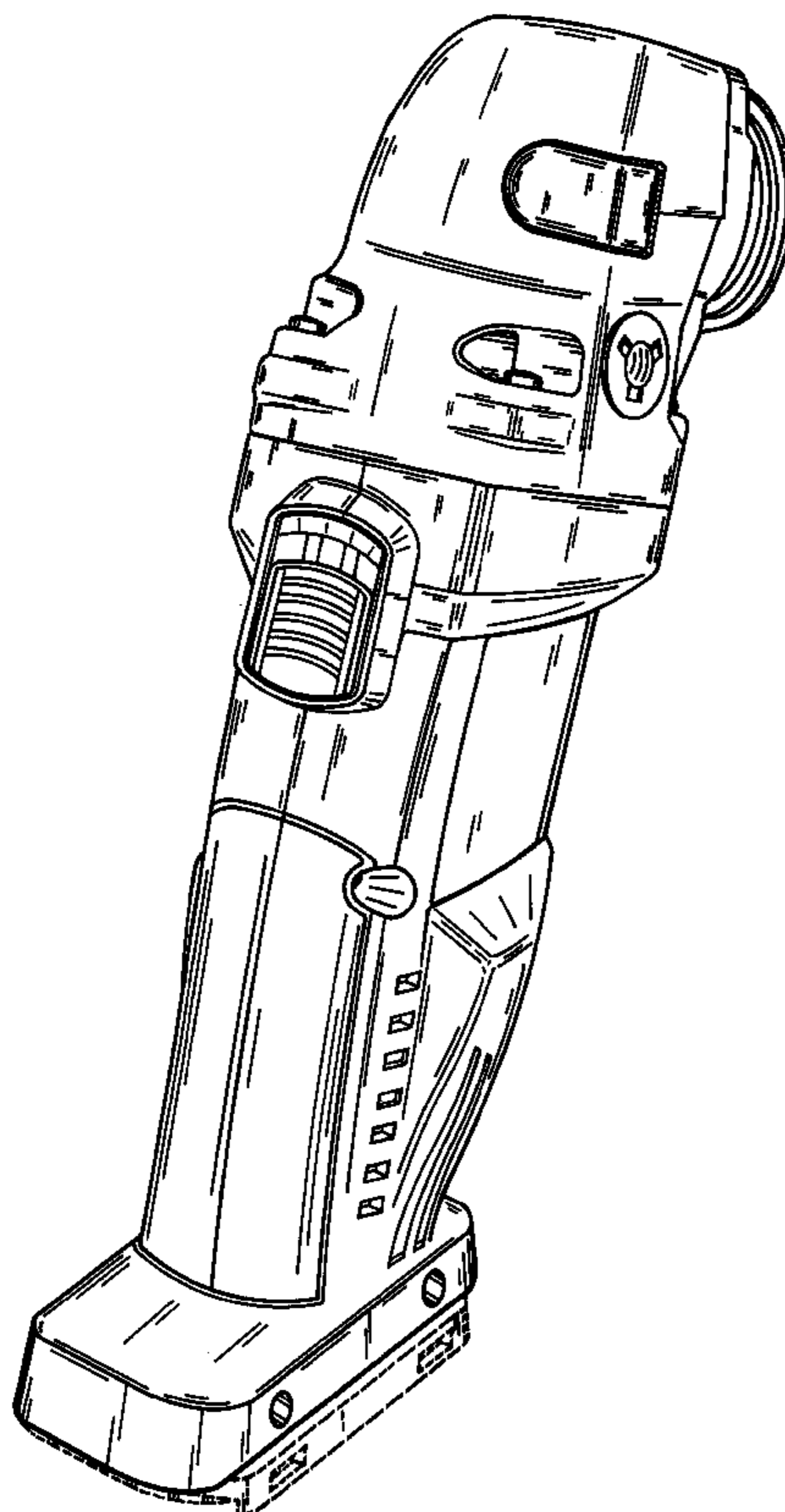
FIG. 4 is a rear view of my angle grinder showing the angle grinder slightly turned to one side;

FIG. 5 is a perspective top view of my angle grinder;

FIG. 6 is a another perspective bottom view of my angle grinder; and,

FIG. 7 is a another perspective view of my angle grinder.

1 Claim, 7 Drawing Sheets



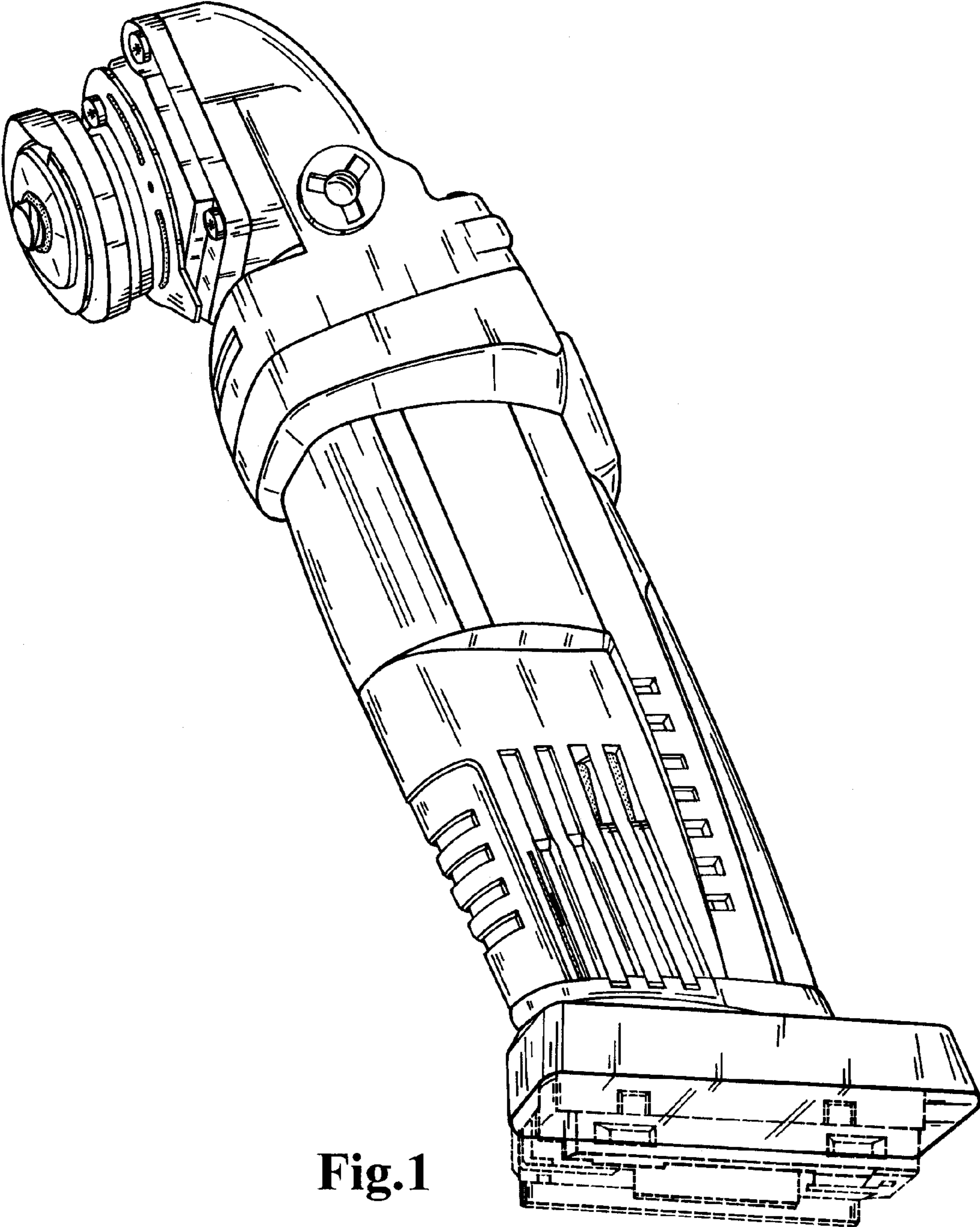


Fig. 1

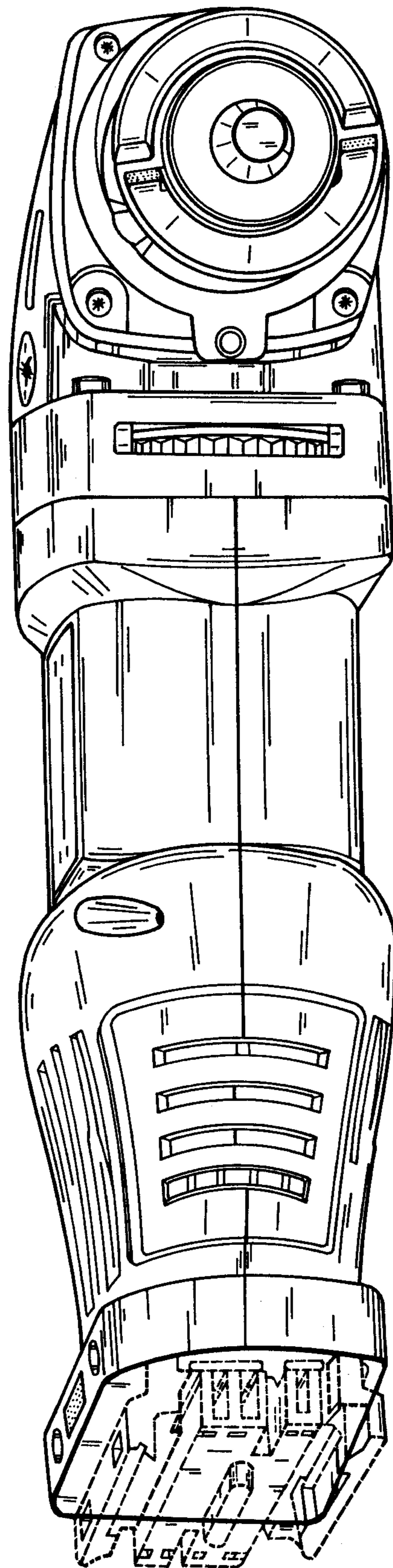


Fig.2

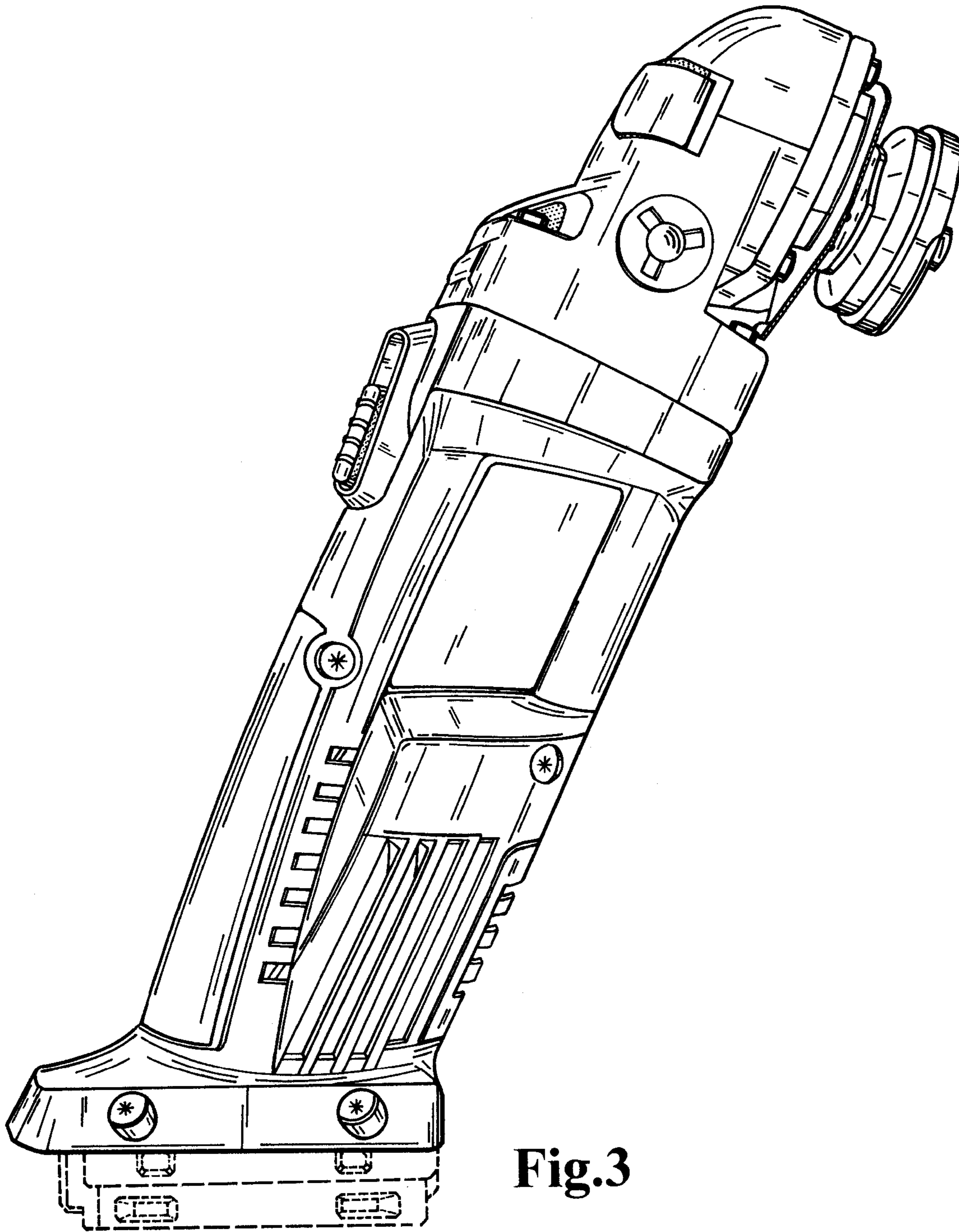


Fig.3

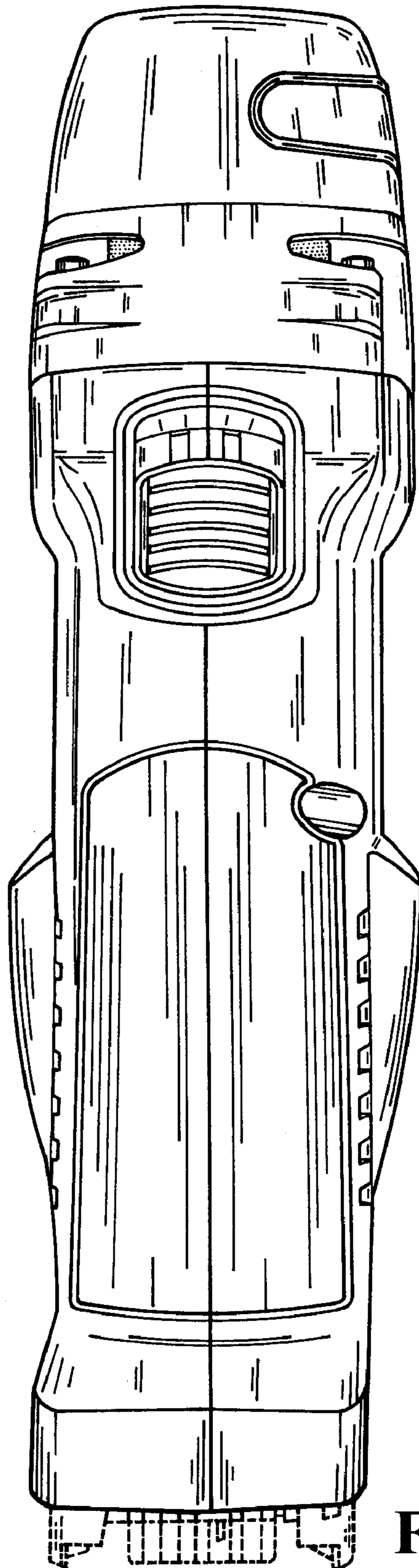


Fig. 4

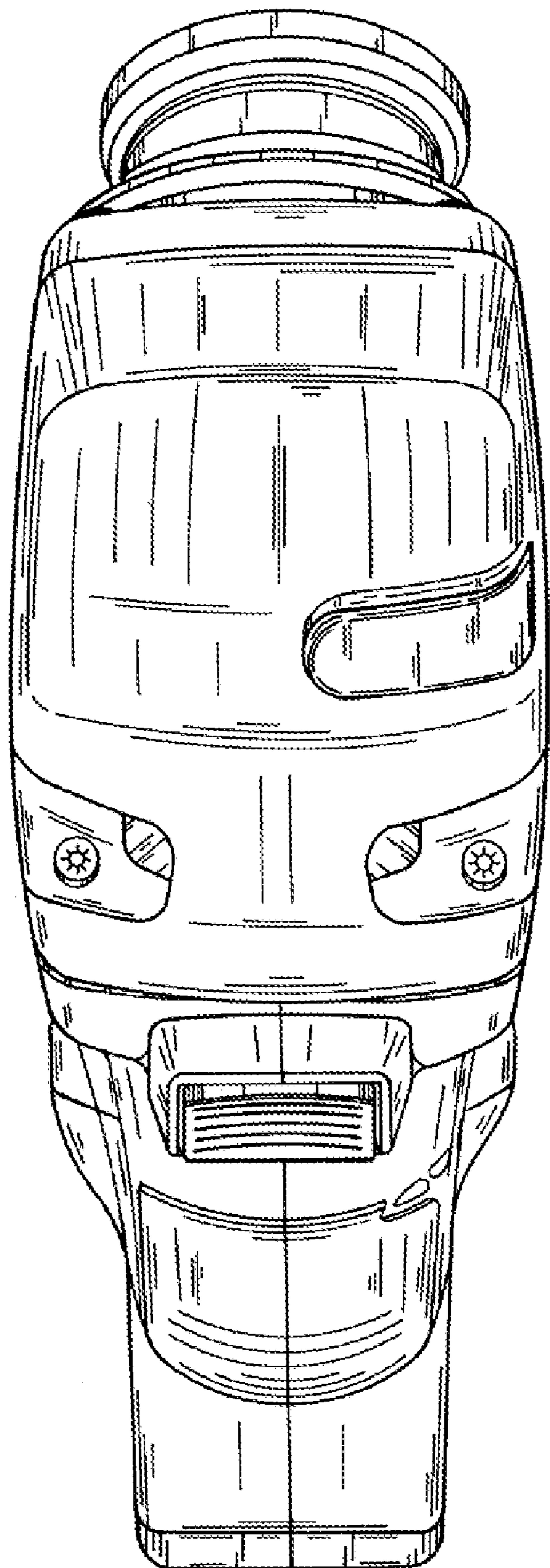


Fig.5

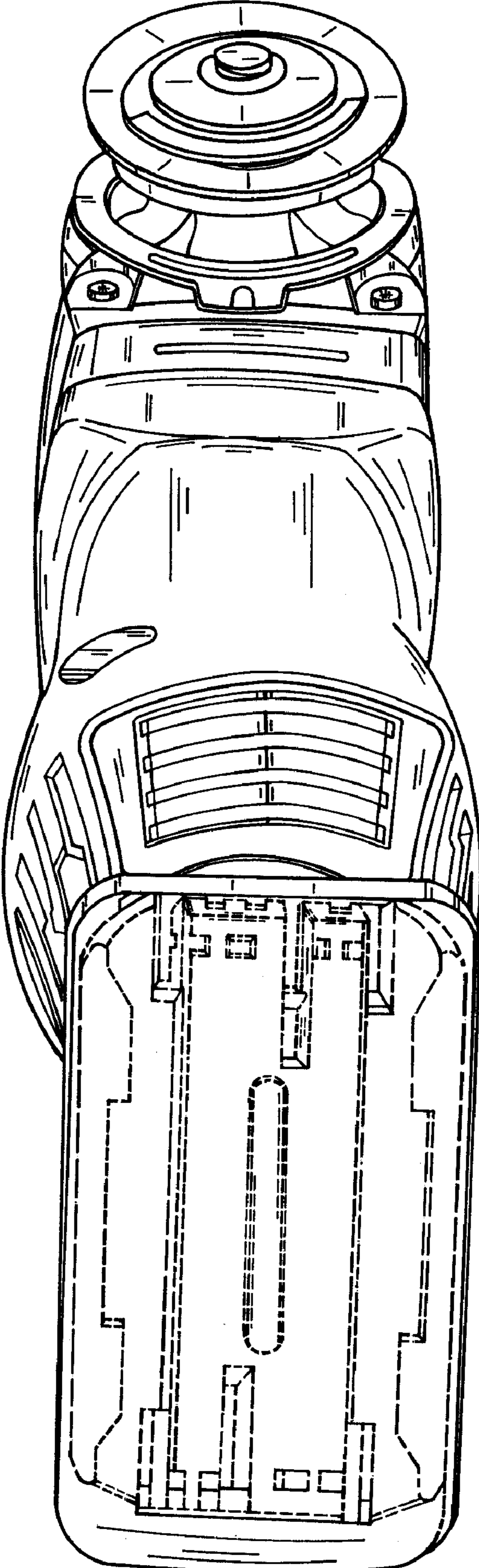


Fig.6

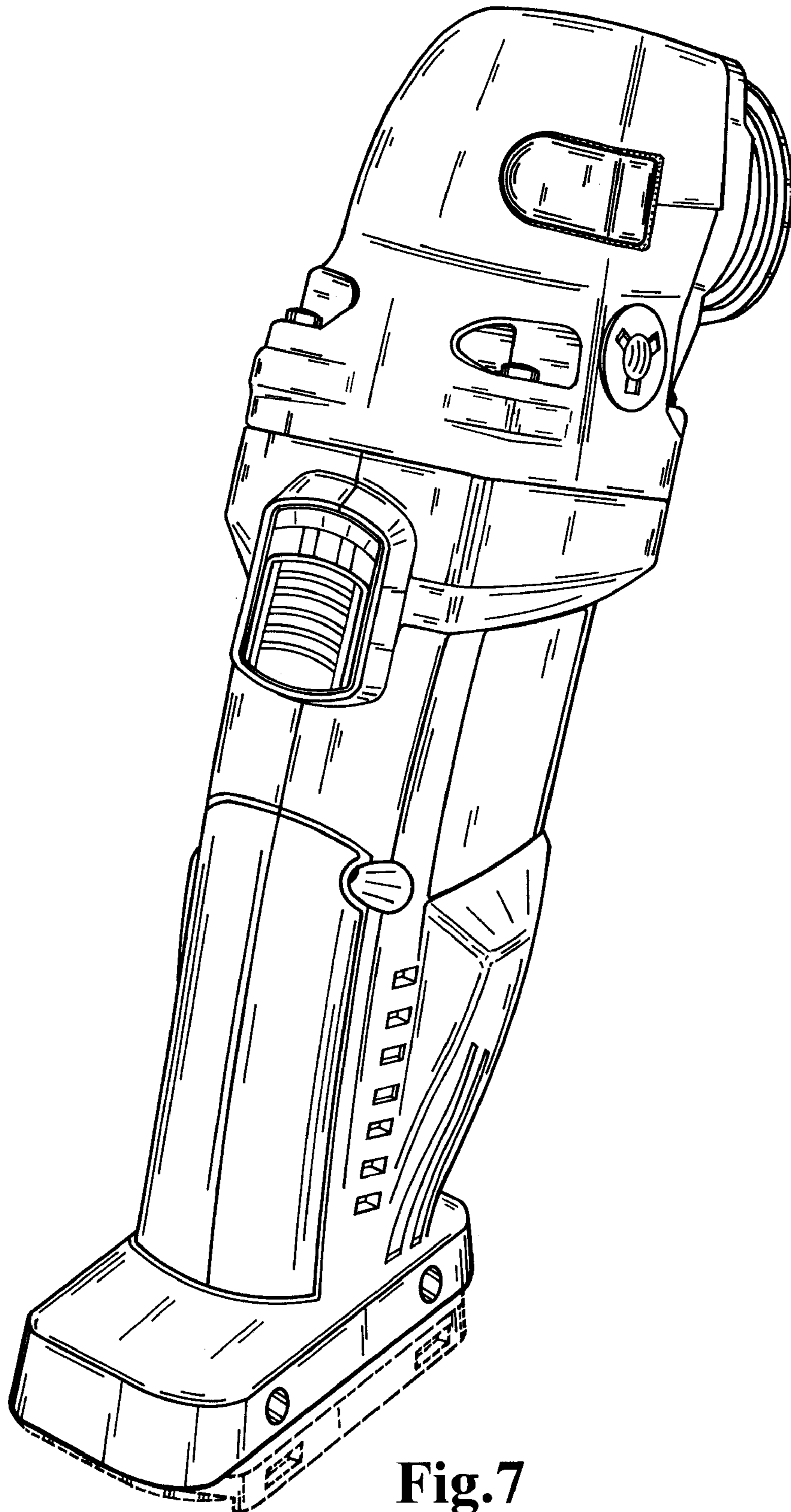


Fig. 7