

US00D576460S

(12) **United States Design Patent**
Price et al.

(10) **Patent No.:** **US D576,460 S**
(45) **Date of Patent:** **** Sep. 9, 2008**

(54) **PNEUMATIC TOOL**

(75) Inventors: **Scott D. Price**, Lebanon, NJ (US);
Roger Davis, Cincinnati, OH (US)

(73) Assignee: **Ingersoll-Rand Company**, Montvale,
NJ (US)

(**) Term: **14 Years**

(21) Appl. No.: **29/259,818**

(22) Filed: **May 16, 2006**

D471,069 S	3/2003	Price et al.	
D484,380 S *	12/2003	Chen	D8/61
D489,240 S	5/2004	Bartfeld et al.	
D492,562 S *	7/2004	Chen	D8/61
D496,568 S	9/2004	Izumisawa	
D497,529 S	10/2004	Price	
D519,799 S *	5/2006	Izumisawa	D8/25
D524,617 S *	7/2006	Schiller et al.	D8/61
D525,499 S *	7/2006	Chen	D8/61
D525,501 S *	7/2006	Chen	D8/61
D525,502 S *	7/2006	Chen	D8/61
D527,593 S *	9/2006	Price et al.	D8/61
D531,472 S *	11/2006	Schiller et al.	D8/61
D540,637 S *	4/2007	Staples	D8/61
2005/0132846 A1	6/2005	Lai	

Related U.S. Application Data

(63) Continuation of application No. 29/212,872, filed on
Sep. 8, 2004, now Pat. No. Des. 527,593.

(51) **LOC (8) Cl.** **08-04**

(52) **U.S. Cl.** **D8/61**

(58) **Field of Classification Search** D8/61,
D8/62, 67, 69; 81/57, 57.11, 57.14, 57.26,
81/429, 464, 469; 173/2, 170, 176

See application file for complete search history.

(56) **References Cited**

U.S. PATENT DOCUMENTS

D269,846 S *	7/1983	Izumisawa	D8/62
D333,077 S *	2/1993	Mikiya	D8/62
D334,124 S	3/1993	Izumisawa	
D347,372 S *	5/1994	Ghode et al.	D8/61
D408,241 S	4/1999	Jansson	
D432,379 S *	10/2000	Sun	D8/70
D438,080 S	2/2001	Loomis et al.	
D439,818 S	4/2001	Price	
D440,848 S	4/2001	Izumisawa	
D441,629 S	5/2001	Price	
D445,232 S	7/2001	Price	
D447,029 S	8/2001	Sun et al.	
D449,212 S	10/2001	Price et al.	
D456,683 S *	5/2002	Chen	D8/61
D468,607 S	1/2003	Price et al.	
D469,672 S *	2/2003	Bass et al.	D8/61

* cited by examiner

Primary Examiner—Cathron C. Brooks

Assistant Examiner—Austin Murphy

(74) *Attorney, Agent, or Firm*—Michael Best & Friedrich
LLP

(57) **CLAIM**

We claim the ornamental design for a pneumatic tool, as
shown and described.

DESCRIPTION

FIG. 1 is a perspective view of the pneumatic tool showing
our new design;

FIG. 2 is a top view of FIG. 1;

FIG. 3 is a bottom view of FIG. 1;

FIG. 4 is a right side view of FIG. 1;

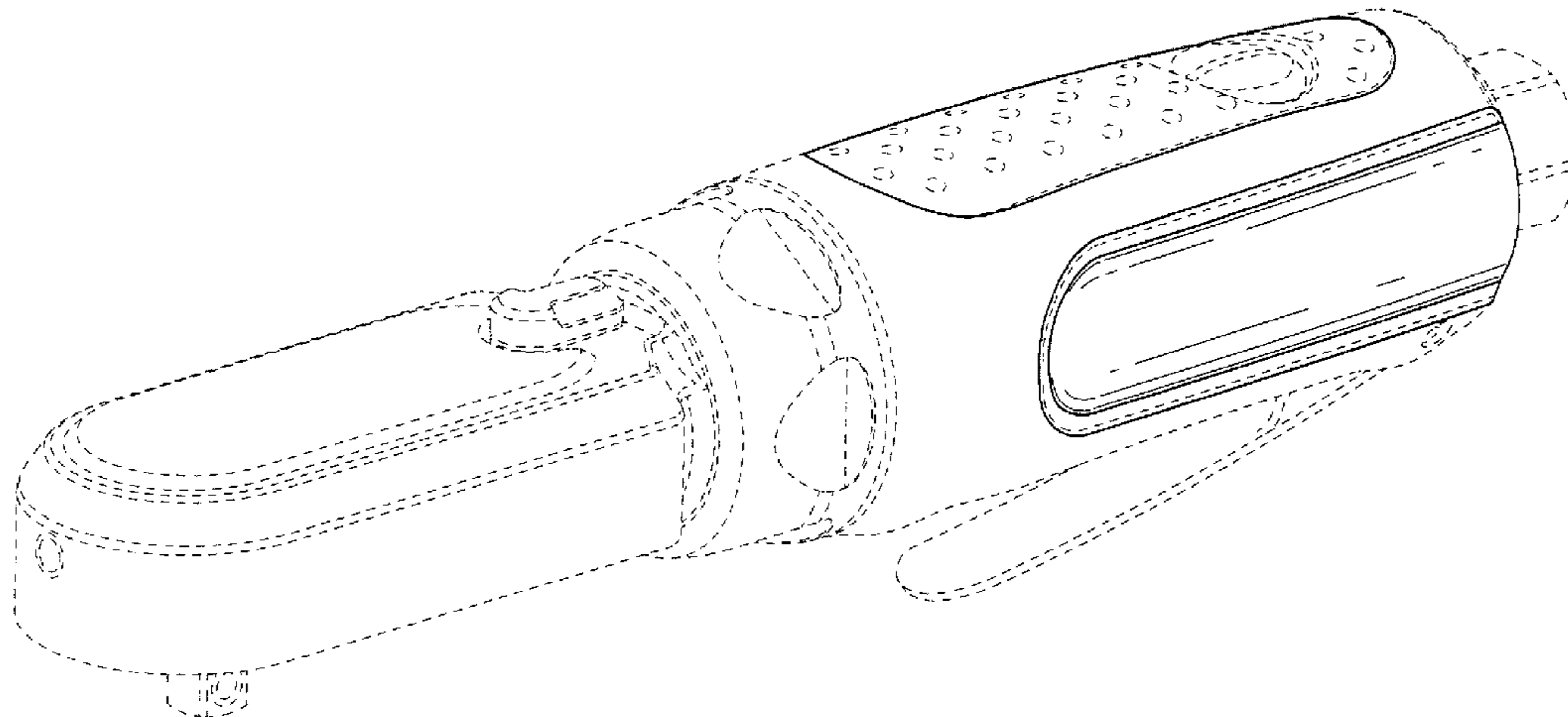
FIG. 5 is a left side view of FIG. 1;

FIG. 6 is a front view of FIG. 1; and,

FIG. 7 is a rear view of FIG. 1.

The structural features depicted by means of broken lines in
the drawing figures have been shown for illustrative purposes
only and form no part of the claimed design.

1 Claim, 6 Drawing Sheets



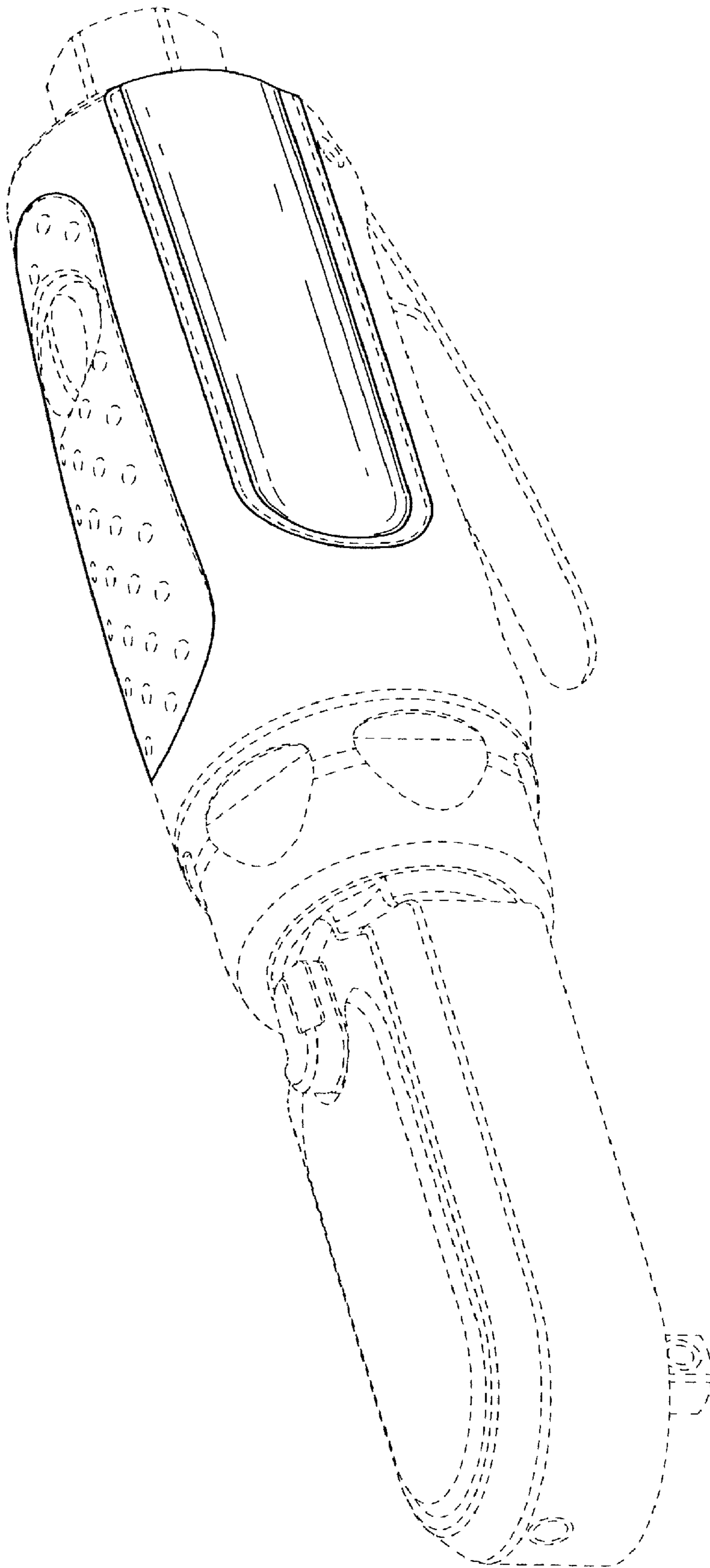


FIG. 1

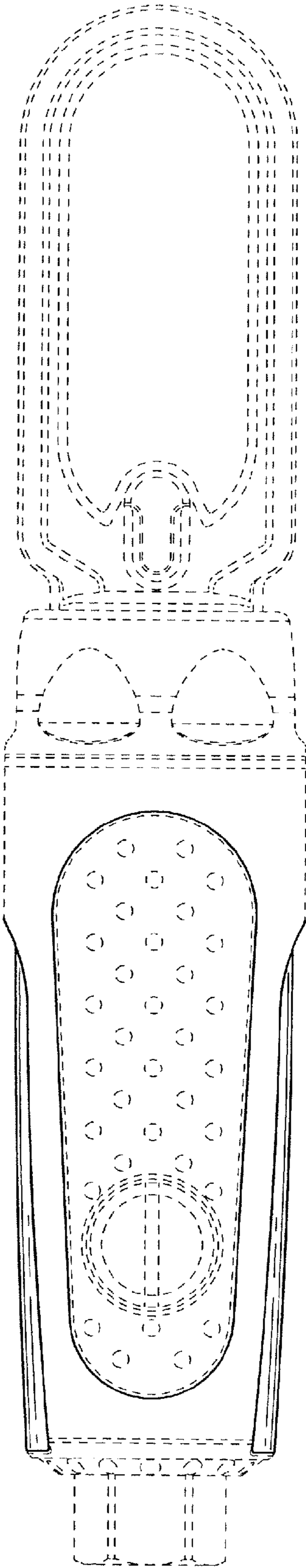


FIG. 2

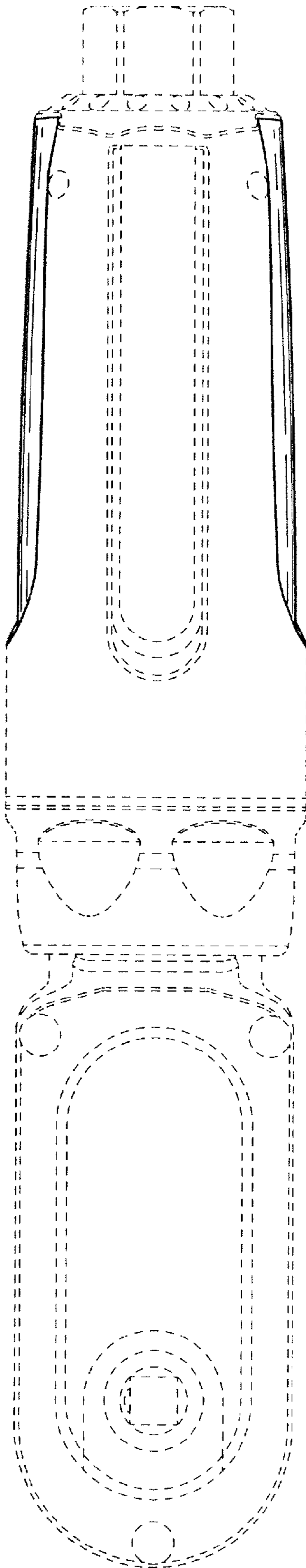


FIG. 3

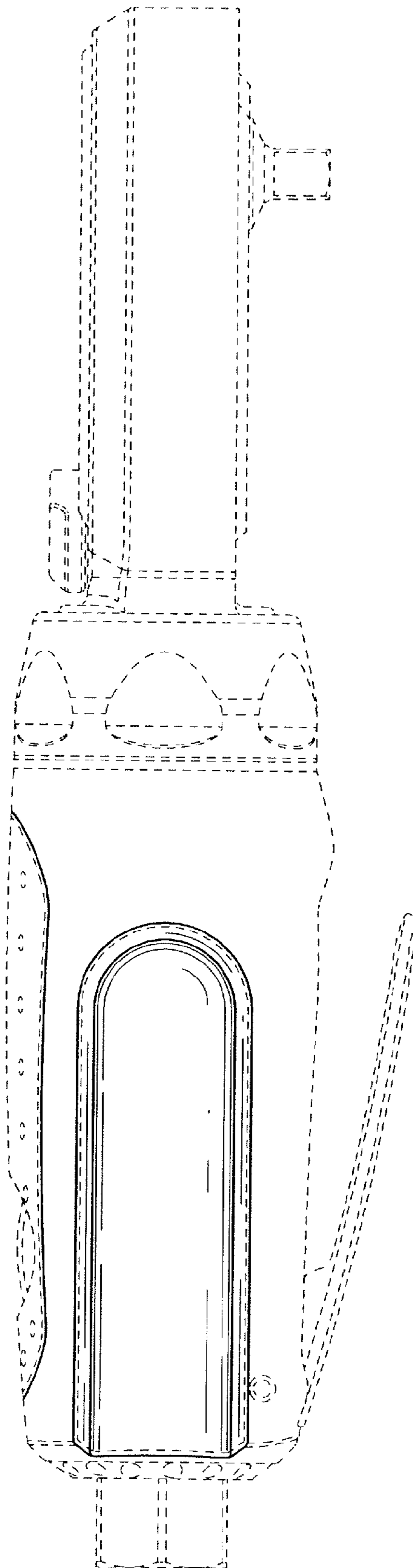


FIG. 4

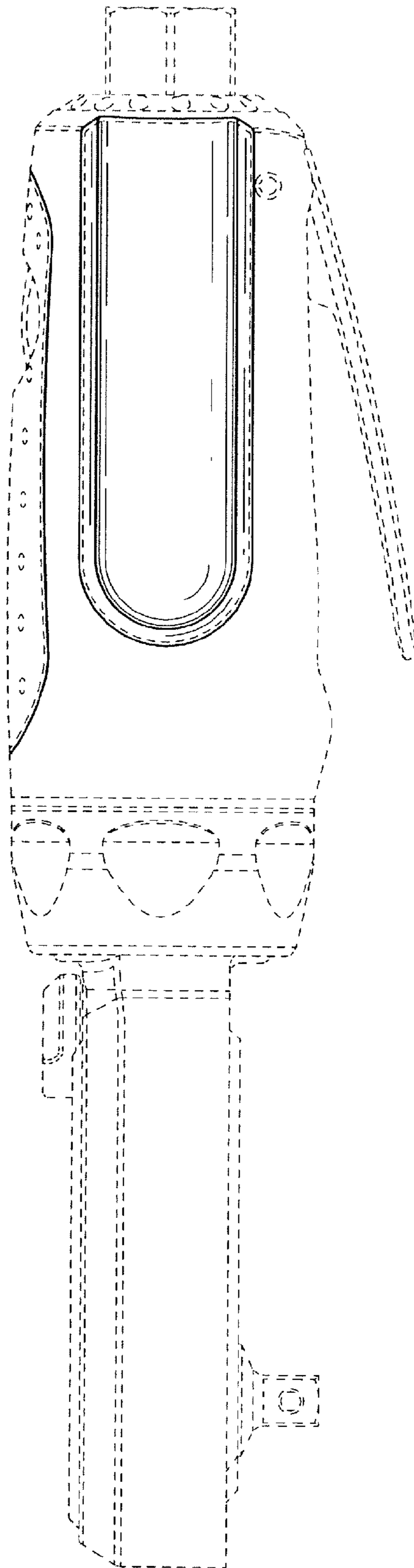


FIG. 5

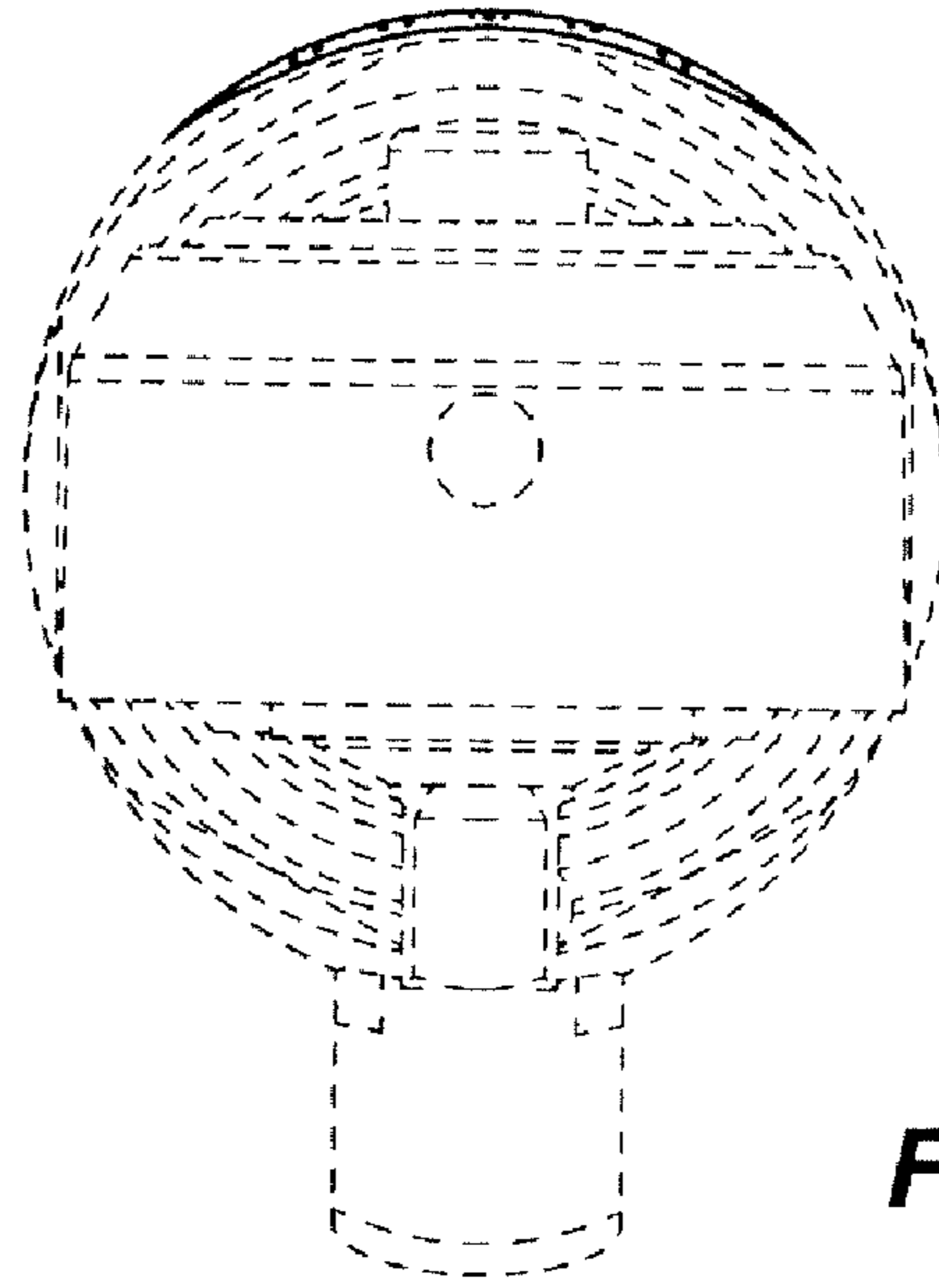


FIG. 6

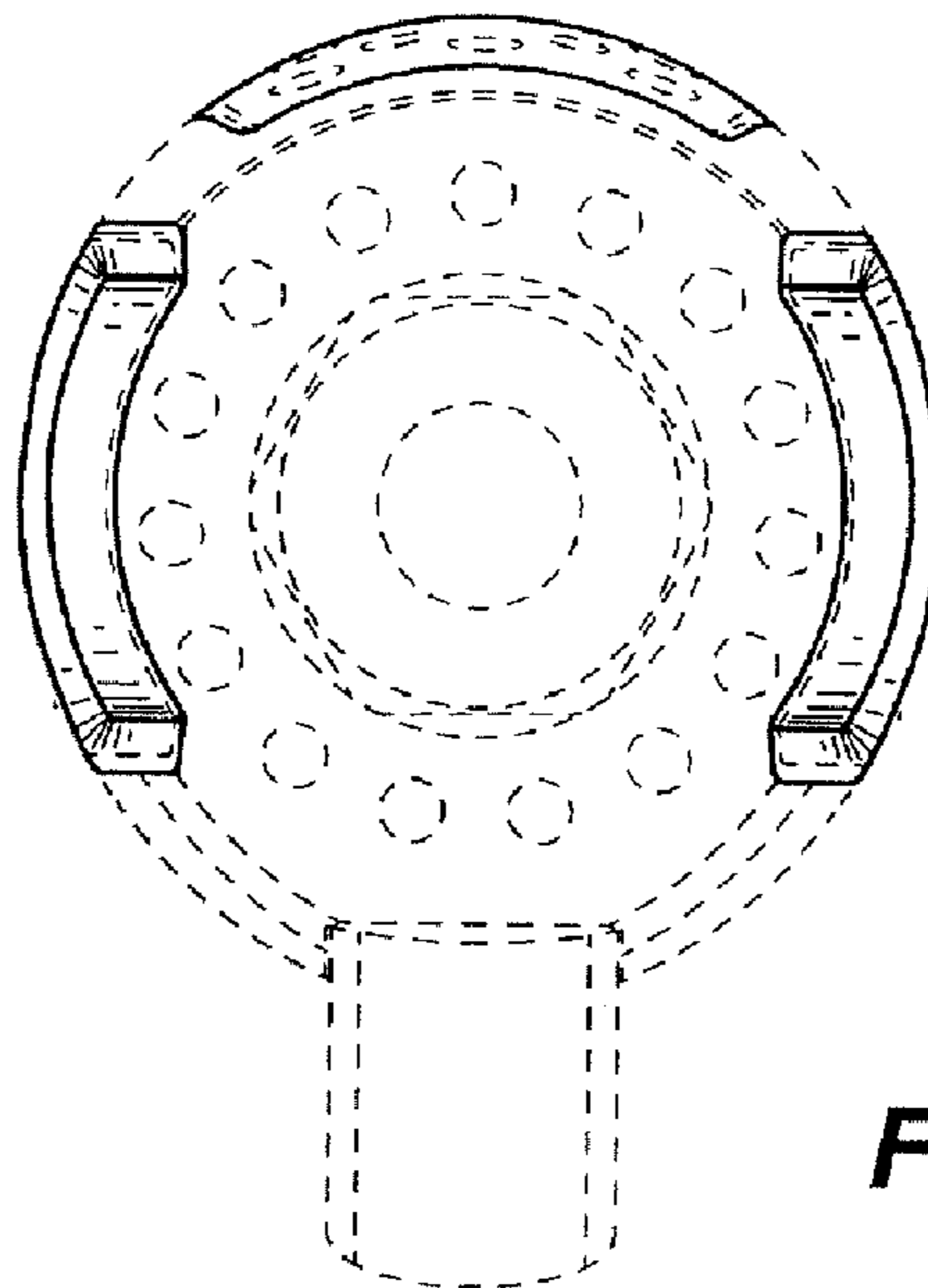


FIG. 7