



US00D576459S

(12) **United States Design Patent**
Mochizuki

(10) **Patent No.:** **US D576,459 S**
(45) **Date of Patent:** **** Sep. 9, 2008**

(54) **CONTROLLER FOR SOLDERING IRONS**

(75) Inventor: **Toshikazu Mochizuki**, Osaka (JP)

(73) Assignee: **Hakko Corporation**, Osaka (JP)

(**) Term: **14 Years**

(21) Appl. No.: **29/295,882**

(22) Filed: **Oct. 9, 2007**

(30) **Foreign Application Priority Data**

Apr. 12, 2007 (JP) D2007-009791

(51) **LOC (8) Cl.** **08-05**

(52) **U.S. Cl.** **D8/30**

(58) **Field of Classification Search** D8/29.1,
D8/30; D13/123, 133; 219/240, 241, 606;
228/8, 20, 51, 111.5

See application file for complete search history.

(56) **References Cited**

U.S. PATENT DOCUMENTS

3,946,196	A *	3/1976	Waters et al.	219/222
D251,965	S	5/1979	Uyeda	D8/343
4,418,268	A *	11/1983	Munshaw	219/242
D274,882	S *	7/1984	Rittmann	D15/144
D277,636	S *	2/1985	Rittmann	D15/144
5,048,742	A *	9/1991	Fortune	228/20.5
5,472,133	A *	12/1995	Lin	228/8

D424,077	S *	5/2000	Abed et al.	D15/144
D490,448	S *	5/2004	Ishihara	D15/144
D497,527	S *	10/2004	Masaki	D8/30
D497,792	S *	11/2004	Haas	D8/338
D530,349	S *	10/2006	Ishihara et al.	D15/144.2

* cited by examiner

Primary Examiner—Philip S Hyder

(74) *Attorney, Agent, or Firm*—Squire, Sanders & Dempsey, L.L.P.

(57) **CLAIM**

The ornamental design for a controller for soldering irons, as shown and described.

DESCRIPTION

FIG. 1 is a perspective view of a controller for soldering irons; FIG. 2 is a front view thereof; FIG. 3 is a left side view thereof; FIG. 4 is a right side view thereof; FIG. 5 is a top view thereof; and, FIG. 6 is a bottom view thereof.

The portion shown by broken lines is for illustrative purposes only and forms no part of the claimed design. The dashed lines show a borderline between the claimed design and other portion.

1 Claim, 3 Drawing Sheets

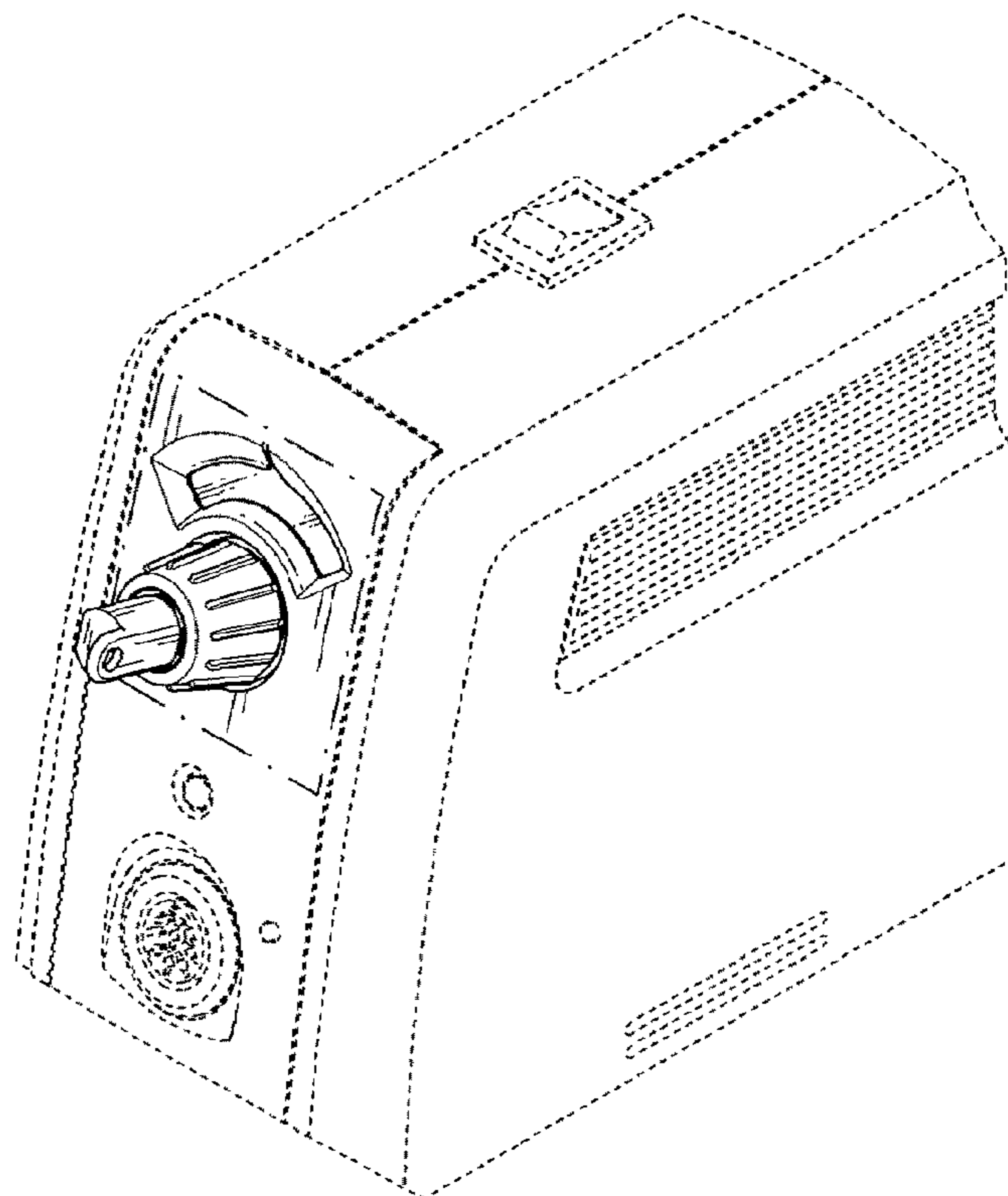


Fig. 1

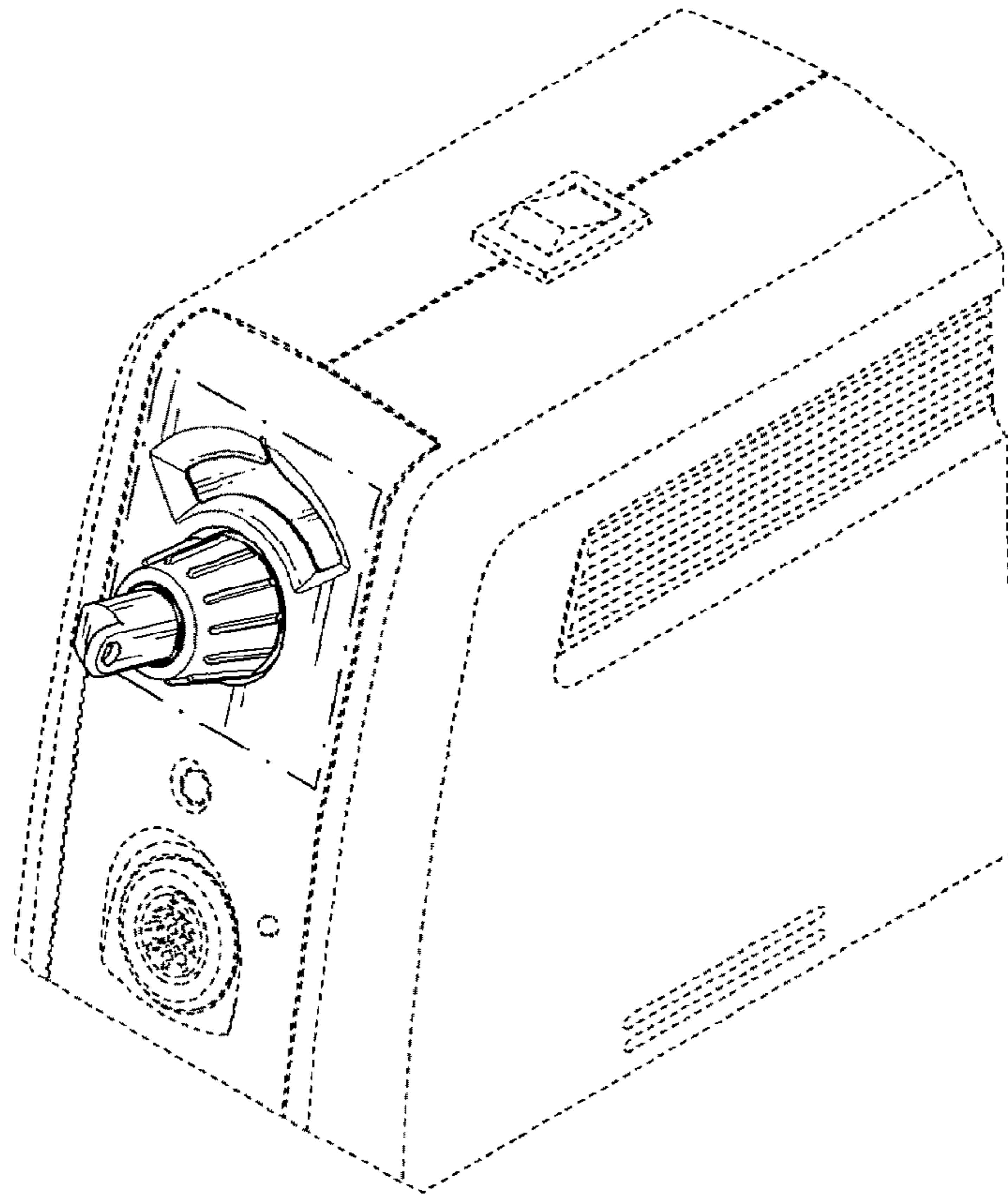


Fig. 2

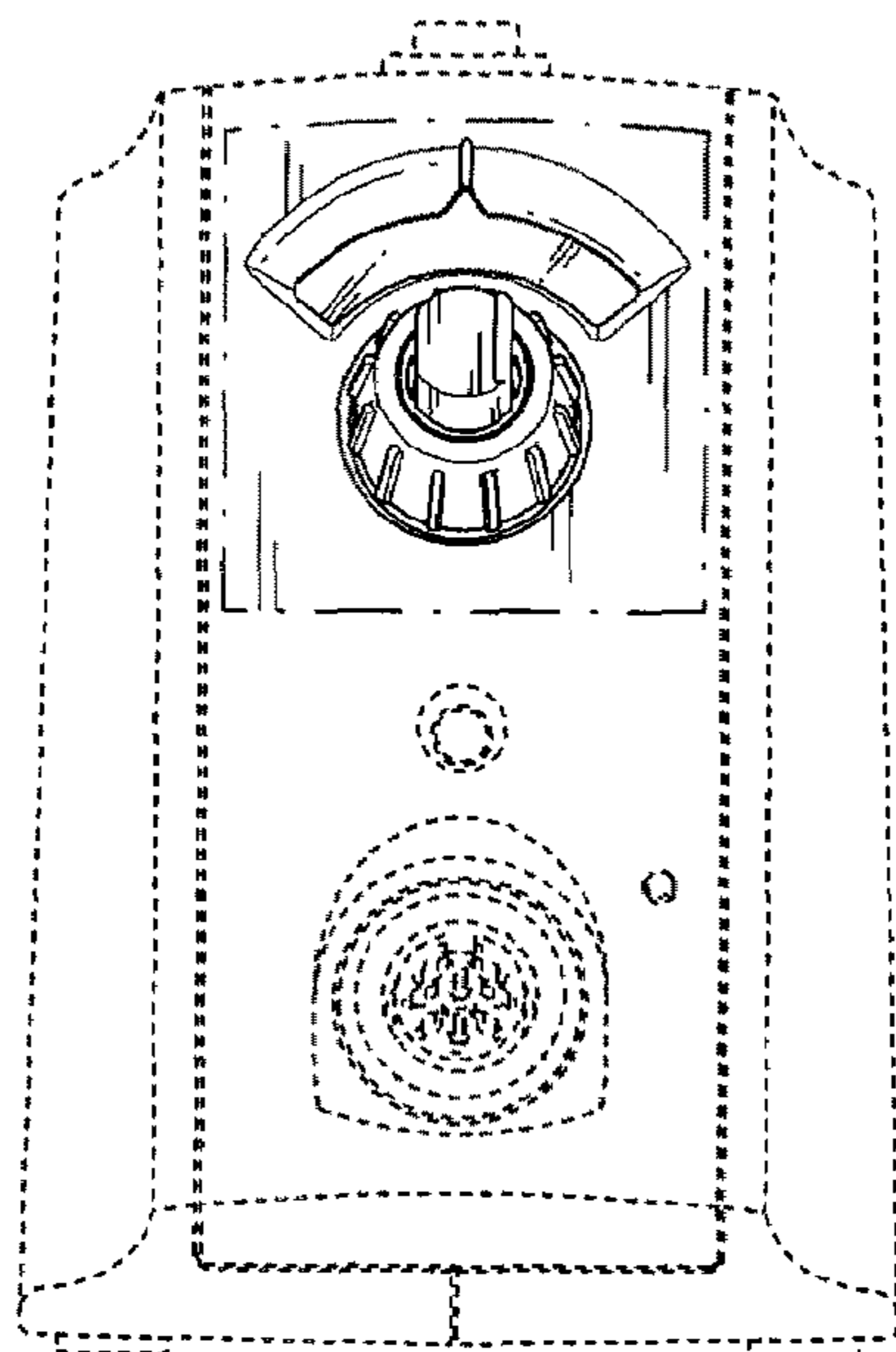


Fig. 3

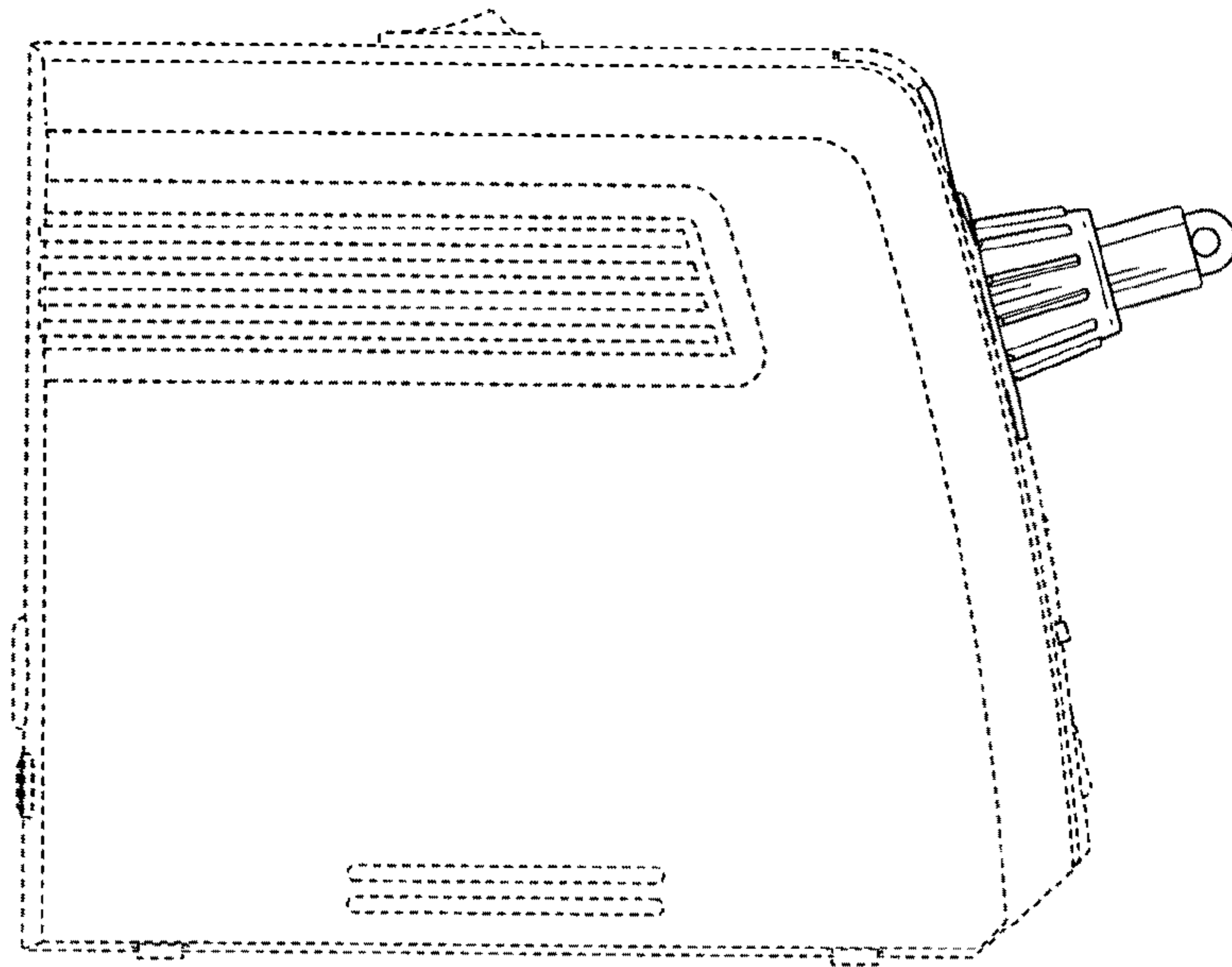


Fig. 4

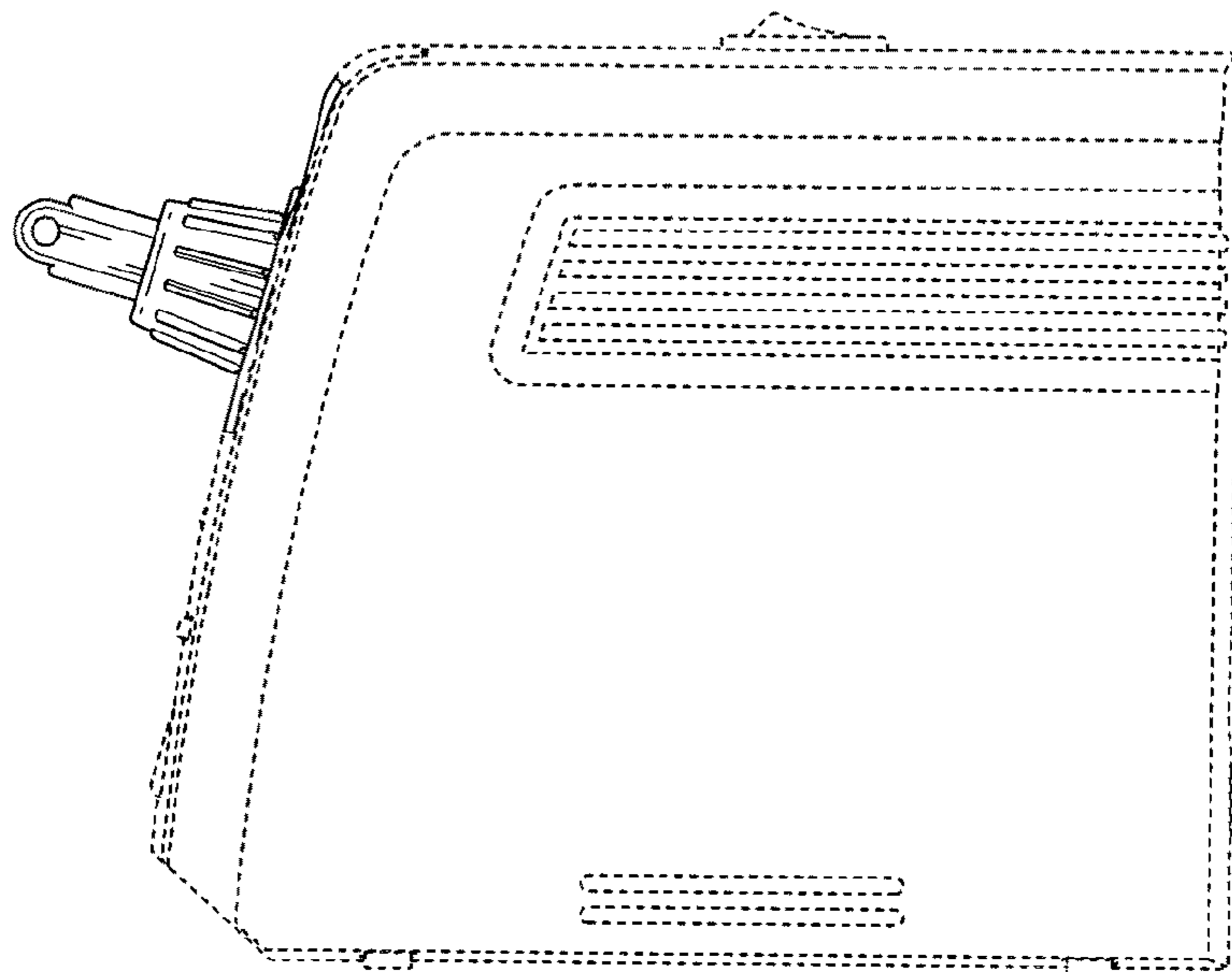


Fig. 5

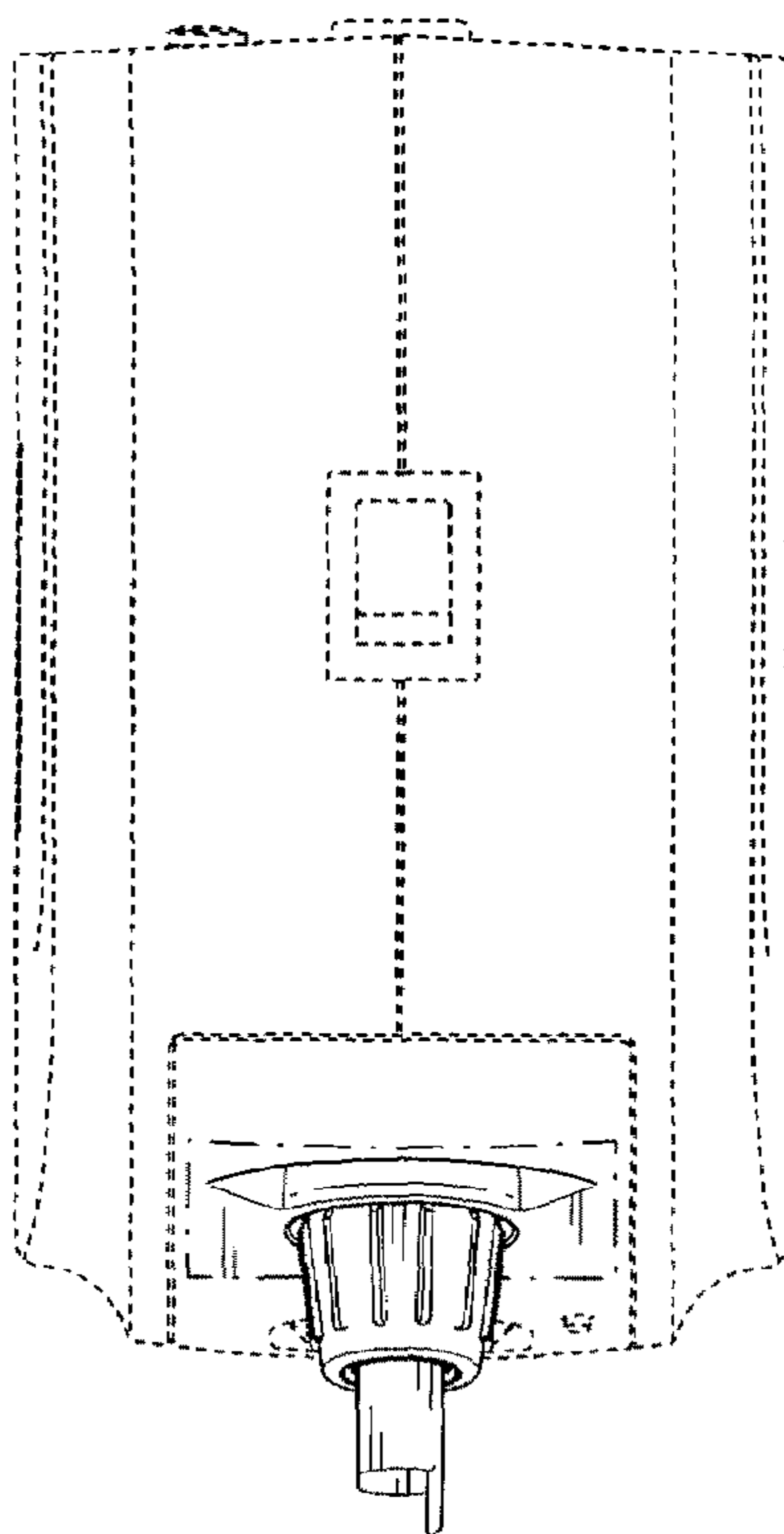


Fig. 6

