



US00D576456S

(12) **United States Design Patent**  
**Liao**

(10) **Patent No.:** **US D576,456 S**  
(45) **Date of Patent:** **\*\* Sep. 9, 2008**

(54) **RATCHET WRENCH**

(76) Inventor: **I-He Liao**, No. 113, Lane 60, Gong-Jiew Street, Ta-Li City, Taichung County (TW) 412

(\*\*) Term: **14 Years**

(21) Appl. No.: **29/294,921**

(22) Filed: **Feb. 1, 2008**

(51) **LOC (8) Cl.** ..... **08-05**

(52) **U.S. Cl.** ..... **D8/25**

(58) **Field of Classification Search** ..... D8/17,  
D8/21-29, 81-87, 102-107, 98, 99, 55, 93,  
D8/94; 81/60, 119, 121.1, 120, 124.4, 124.6,  
81/124.7, 125, 436, 177.6, 58-63.2, 3.09,  
81/486, 158, 177.1, 122, 53.2, 441, 177.8,  
81/177.9, 185.1, 177.85, 3.4, 177.4, 492,  
81/13, 177.7, 166-170, 490, 124.3, 81, 87,  
81/98, 99, 55, 93, 94, 165, 489, 186, 176.2,  
81/3.35, 58.3, 3.45, 155, 110.1, 102-107,  
81/3.345, 176.1, 176.15, 177.2; 206/378;  
16/429, 441, 124.6, 110.1; 7/100, 138, 168,  
7/157; D24/126; D7/395, 177.1, 436, 489;  
D15/144.1; 219/75, 227, 229, 121.16, 121.18  
See application file for complete search history.

(56) **References Cited**

**U.S. PATENT DOCUMENTS**

4,986,147 A \* 1/1991 Cooper ..... 81/63.2

D340,628 S \* 10/1993 Chow ..... D8/25  
D389,025 S \* 1/1998 Sung ..... D8/61  
D431,164 S \* 9/2000 Wimmer ..... D8/21  
D474,662 S \* 5/2003 Canino et al. .... D8/25  
D497,785 S \* 11/2004 Izumisawa ..... D8/25  
D525,502 S \* 7/2006 Chen ..... D8/61  
D554,460 S \* 11/2007 Enriquez ..... D8/61  
D566,497 S \* 4/2008 Wang ..... D8/25

\* cited by examiner

*Primary Examiner*—Raphael Barkai

*Assistant Examiner*—Randall H Gholson

(57) **CLAIM**

The ornamental design for a ratchet wrench, as shown and described.

**DESCRIPTION**

FIG. 1 is a front-right-top perspective view of a ratchet wrench, showing my new design;

FIG. 2 is a front elevational view thereof;

FIG. 3 is a rear elevational view thereof;

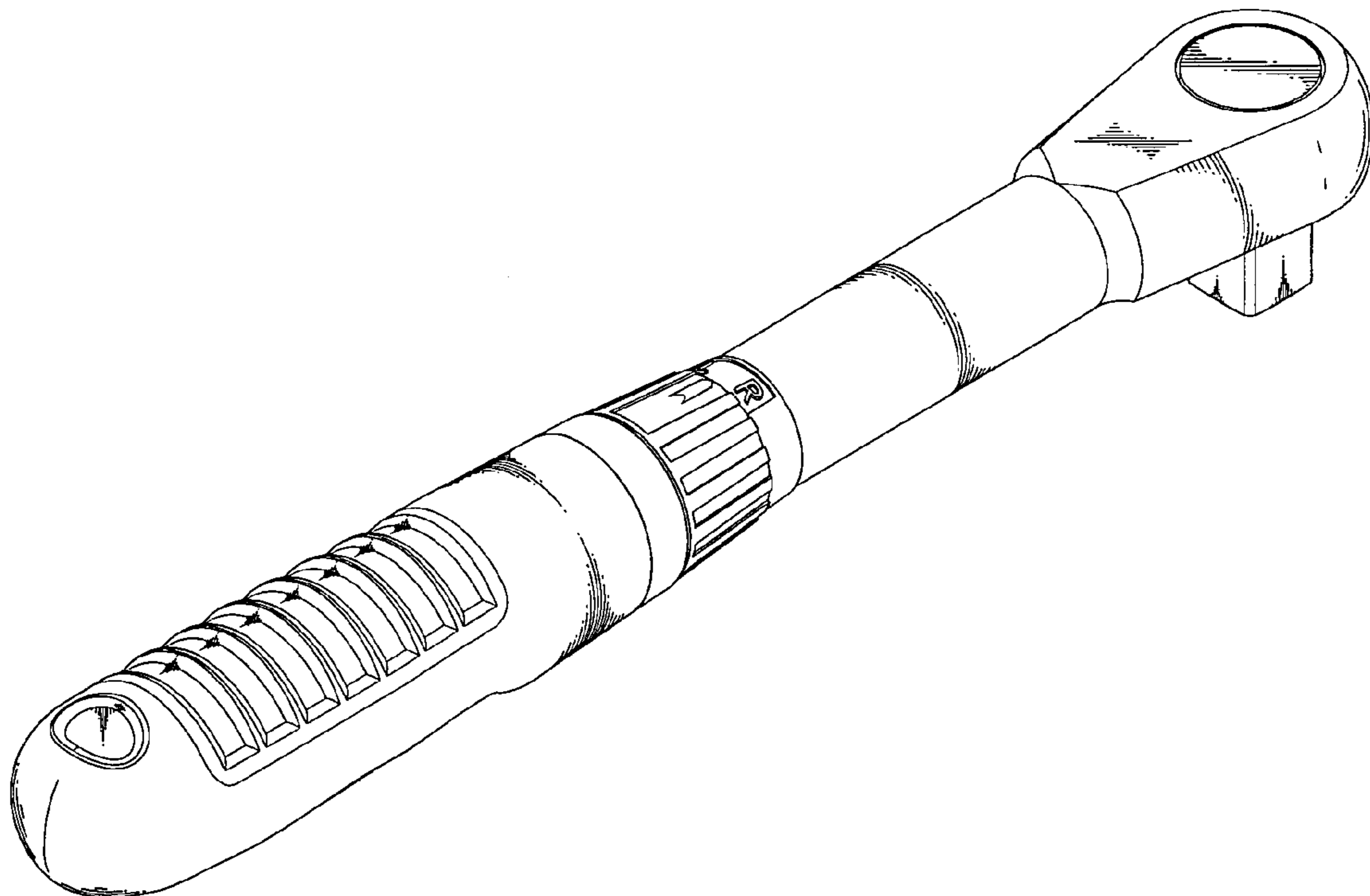
FIG. 4 is a left elevational view thereof;

FIG. 5 is a right elevational view thereof.

FIG. 6 is a top plan view thereof; and,

FIG. 7 is a bottom plan view thereof .

**1 Claim, 4 Drawing Sheets**



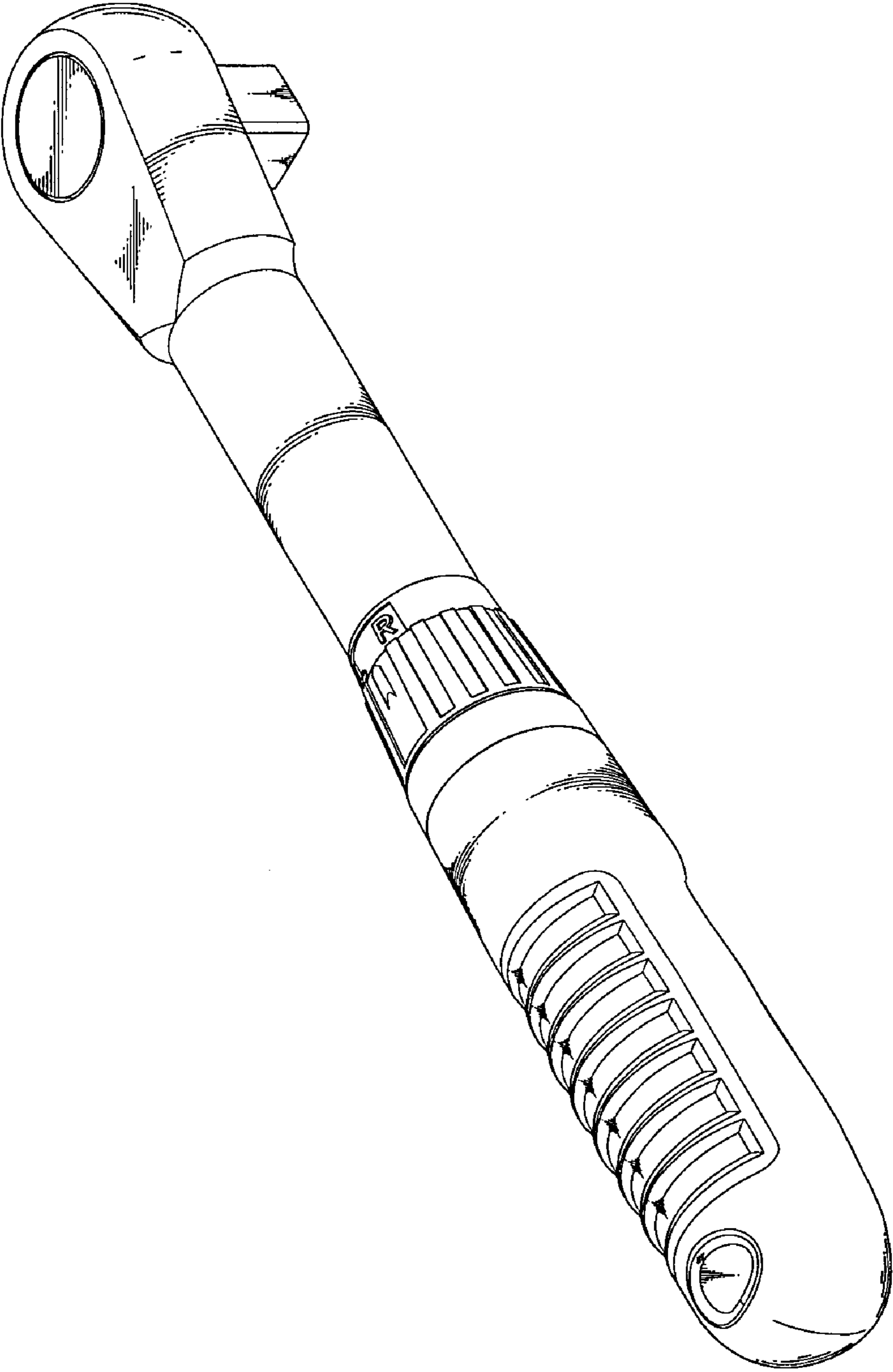


FIG. 1

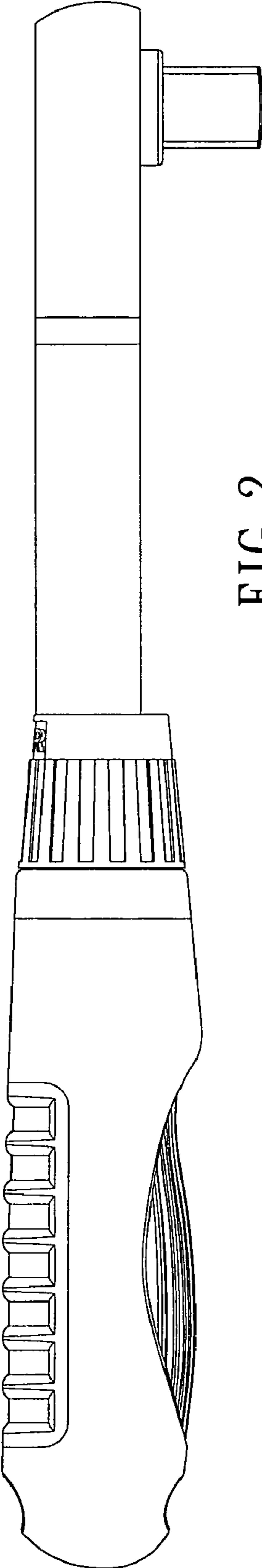


FIG. 2

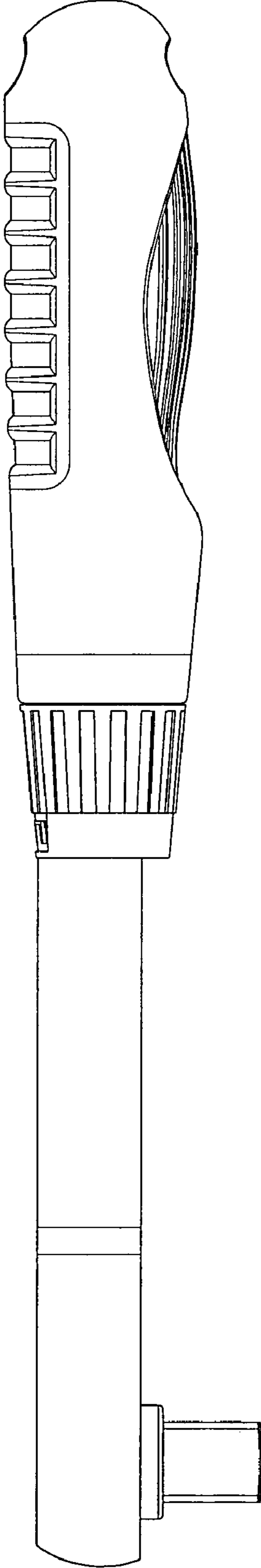


FIG. 3

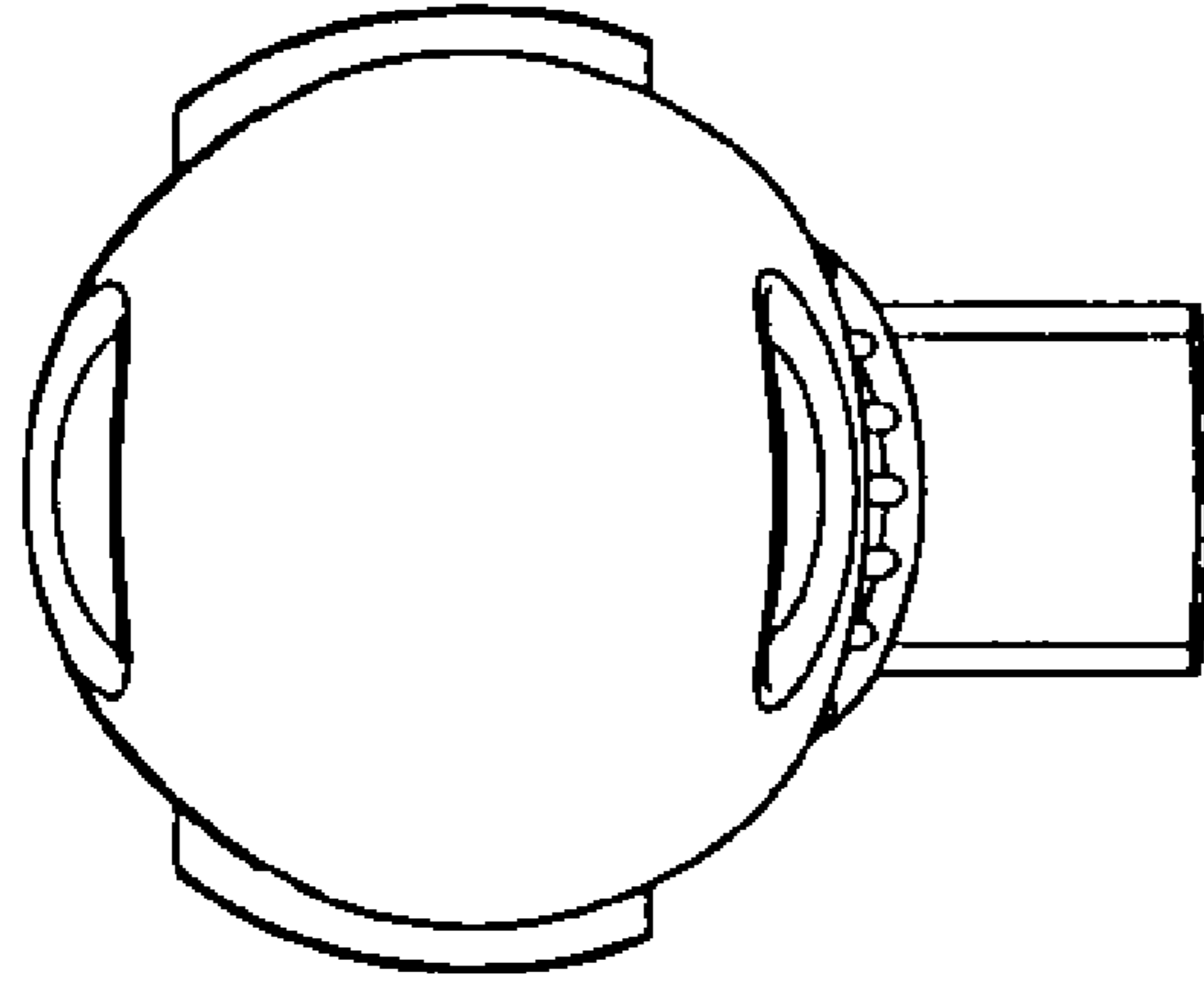


FIG. 4

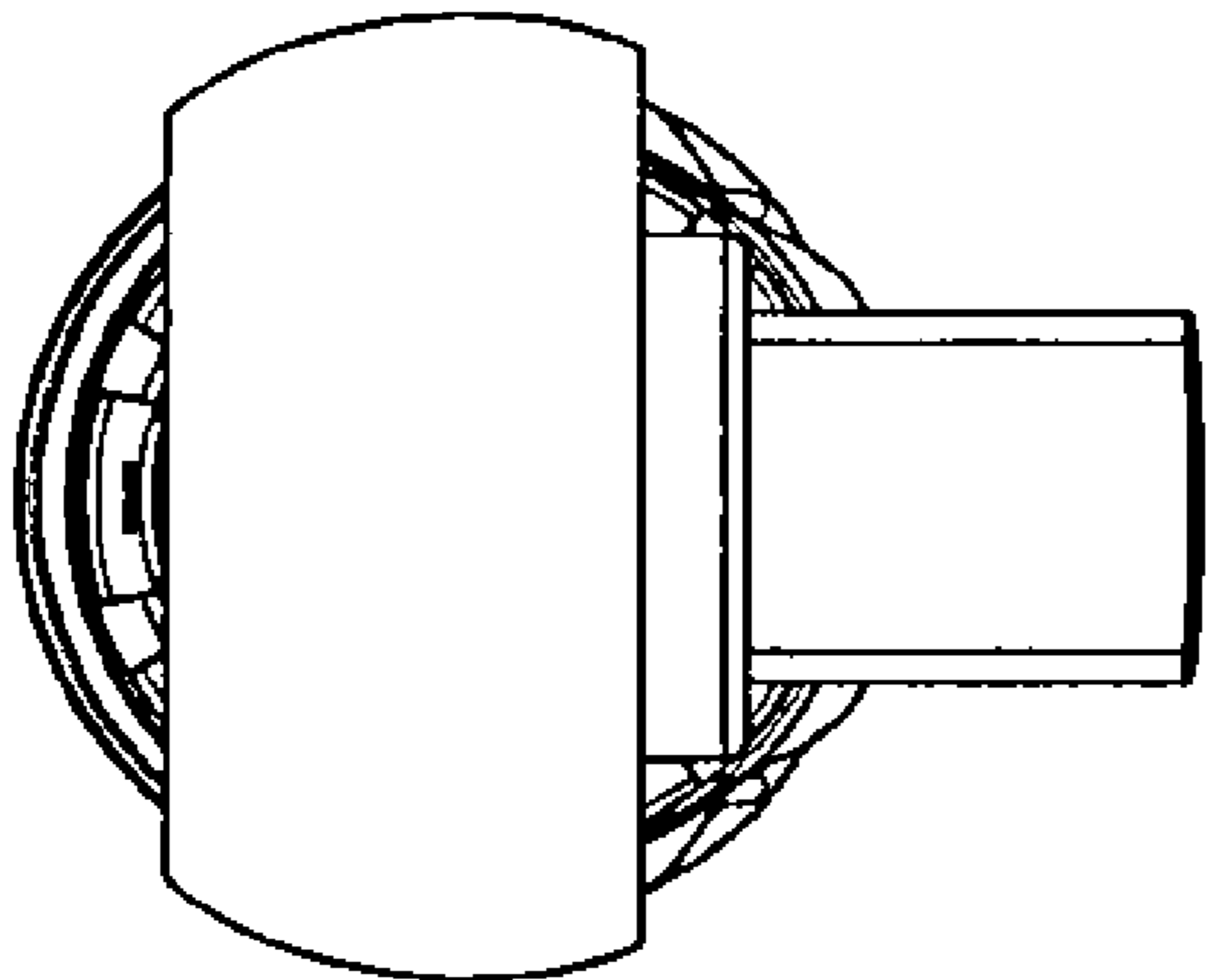


FIG. 5

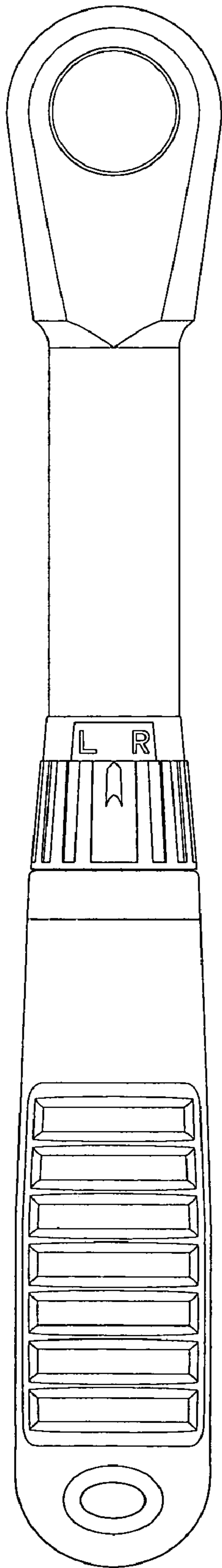


FIG. 6

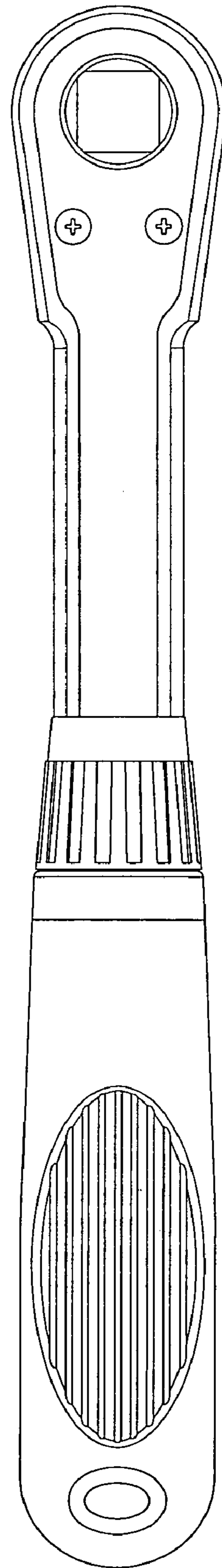


FIG. 7