



US00D576454S

(12) **United States Design Patent**  
**Repac**

(10) **Patent No.:** **US D576,454 S**  
(45) **Date of Patent:** **\*\* Sep. 9, 2008**

(54) **DEVICE FOR CUTTING VEGETABLES OR FRUIT**

FOREIGN PATENT DOCUMENTS

(76) Inventor: **Cedomir Repac**, Fliederweg 24,  
Brechen (DE) 65661

DE	662188	7/1938
DE	40109620.3	2/2002
DE	102 42 651 A1	4/2004
DE	20 2004 002 477	6/2004
EP	114074 A1	7/1984
GB	345750	4/1931
WO	WO2007/101705 A1	9/2007

(\*\*) Term: **14 Years**

(21) Appl. No.: **29/292,786**

\* cited by examiner

(22) Filed: **Oct. 29, 2007**

*Primary Examiner*—Terry A Wallace  
(74) *Attorney, Agent, or Firm*—Charles P. Boukus, Jr.

(30) **Foreign Application Priority Data**

Sep. 7, 2007 (EM) ..... 000785571

(57) **CLAIM**

(51) **LOC (8) Cl.** ..... **07-04**

The ornamental design for a device for cutting vegetables or fruit, as shown and described.

(52) **U.S. Cl.** ..... **D7/693; D7/686**

(58) **Field of Classification Search** ..... D7/672–675,  
D7/693, 683–687; 30/114, 117; 99/537;  
100/234, 243, 126

**DESCRIPTION**

See application file for complete search history.

FIG. 1 is a top front perspective view of a device for cutting vegetables or fruit embodying my new design;

FIG. 2 is a front view thereof;

FIG. 3 is a rear view thereof;

FIG. 4 is side elevation view thereof;

FIG. 5 is a top view thereof;

FIG. 6 is top front perspective view of the device in an open position;

FIG. 7 is side elevation view of the device in an open position;

FIG. 8 is bottom front perspective view of the device in an open position; and,

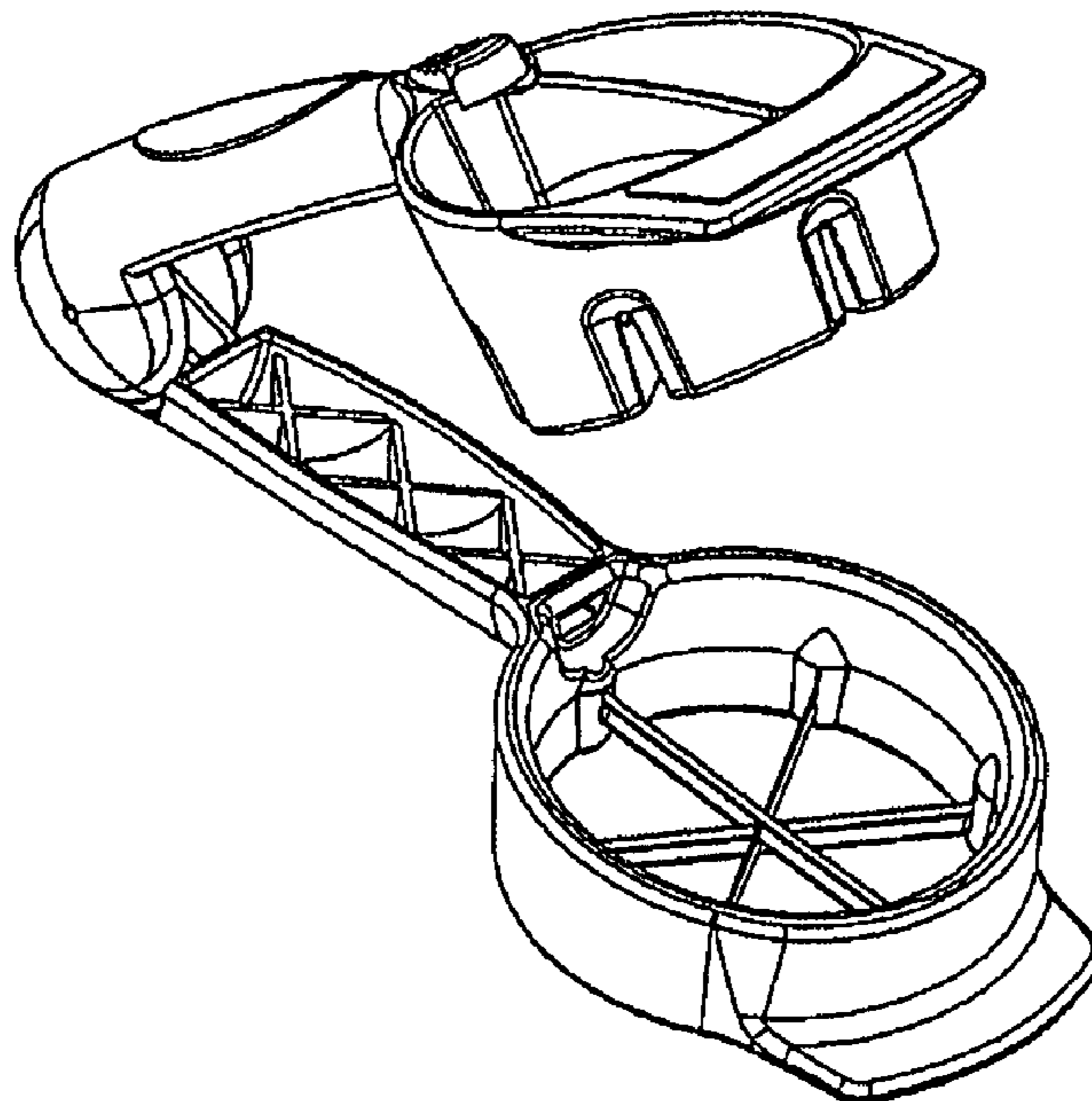
FIG. 9 is bottom rear perspective view of the device in an open position.

(56) **References Cited**

U.S. PATENT DOCUMENTS

1,263,151 A	4/1918	Topalian	
2,247,650 A	7/1941	Carlson	
2,645,262 A	7/1953	Marasco	
3,116,770 A *	1/1964	Tanuma	30/114
3,283,730 A *	11/1966	Mohler	D7/672
4,062,260 A	12/1977	Steinhogl	
4,852,256 A *	8/1989	Schoettler	30/114
D535,164 S *	1/2007	St. Germain et al.	D7/674
2005/0217502 A1	10/2005	Kruger et al.	
2005/0229760 A1	10/2005	Chang	

**1 Claim, 3 Drawing Sheets**



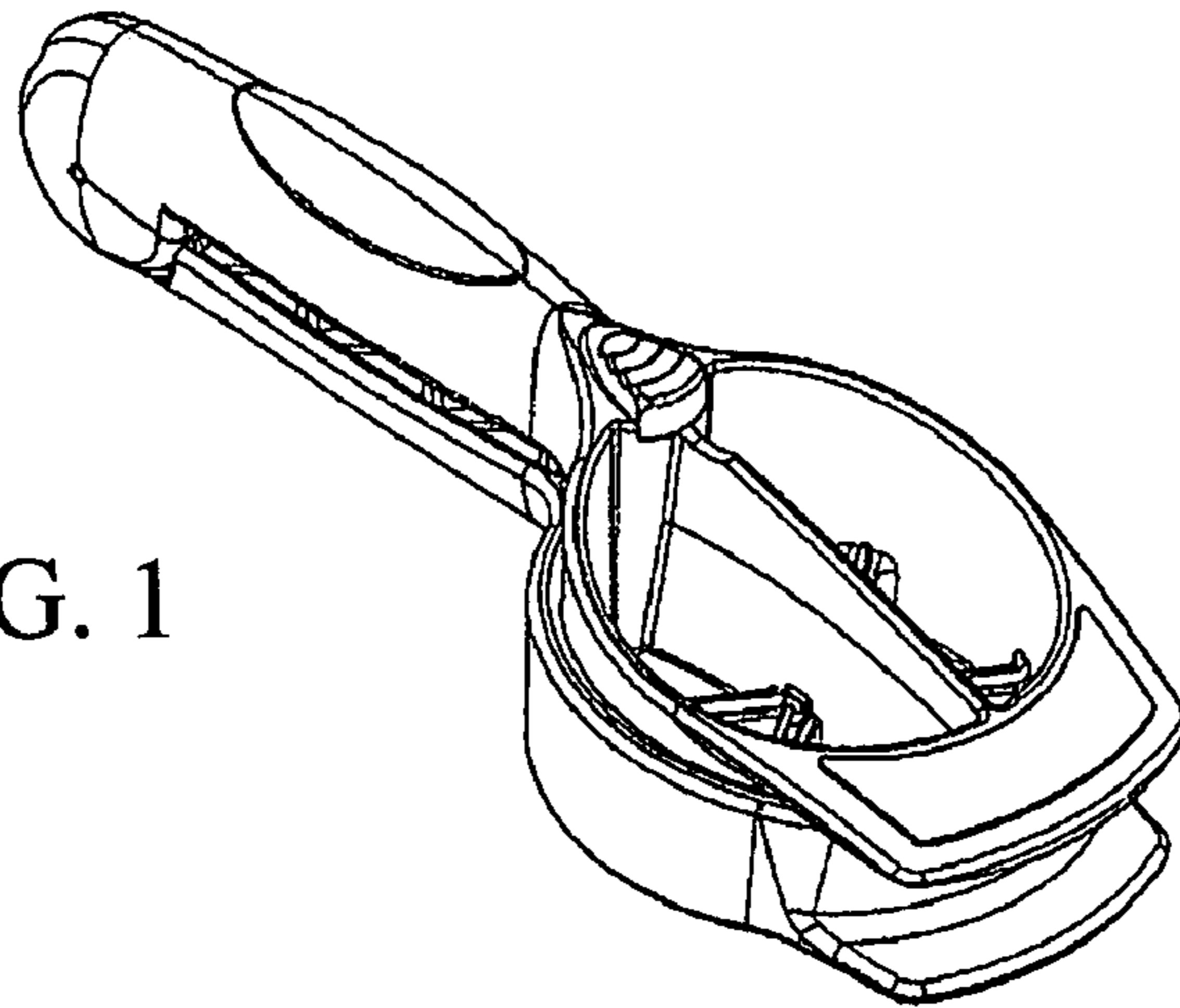


FIG. 1

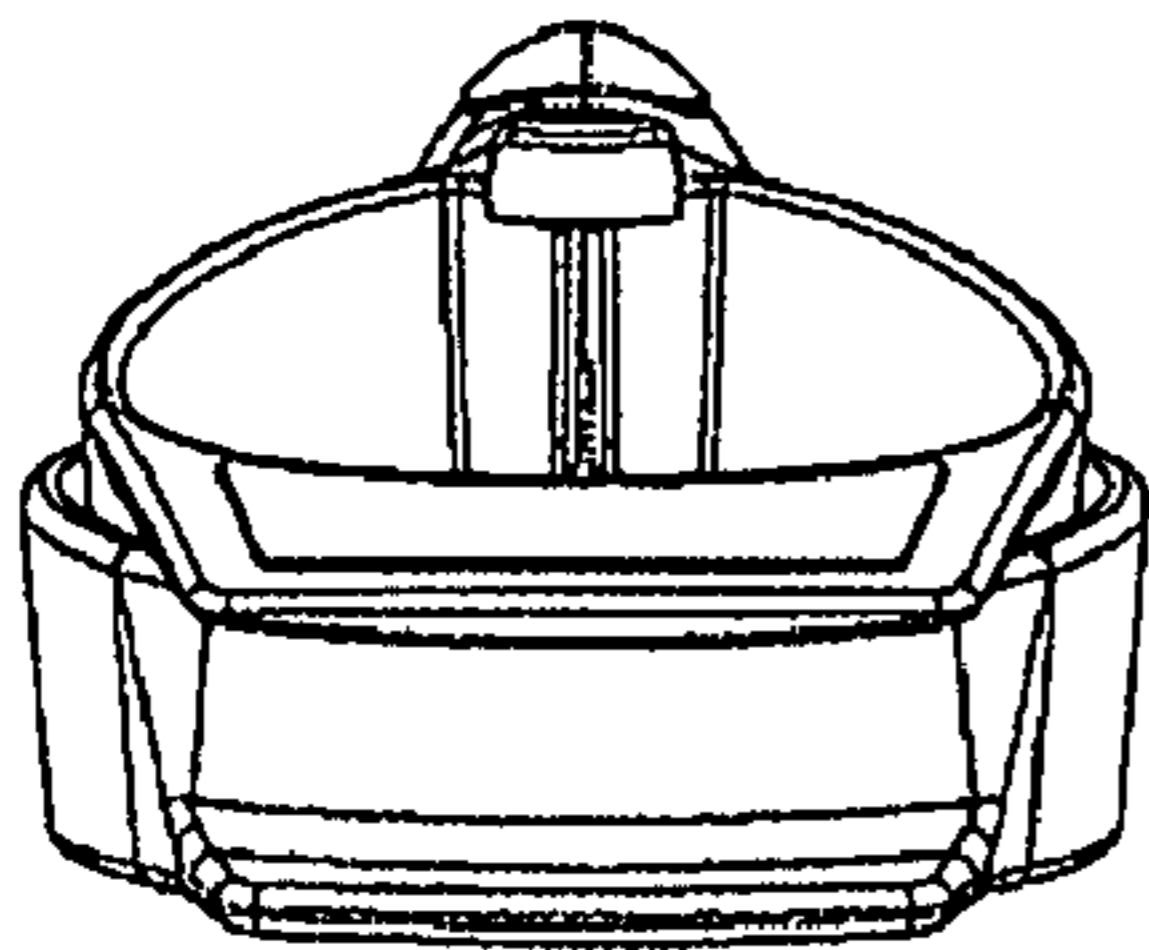


FIG. 2

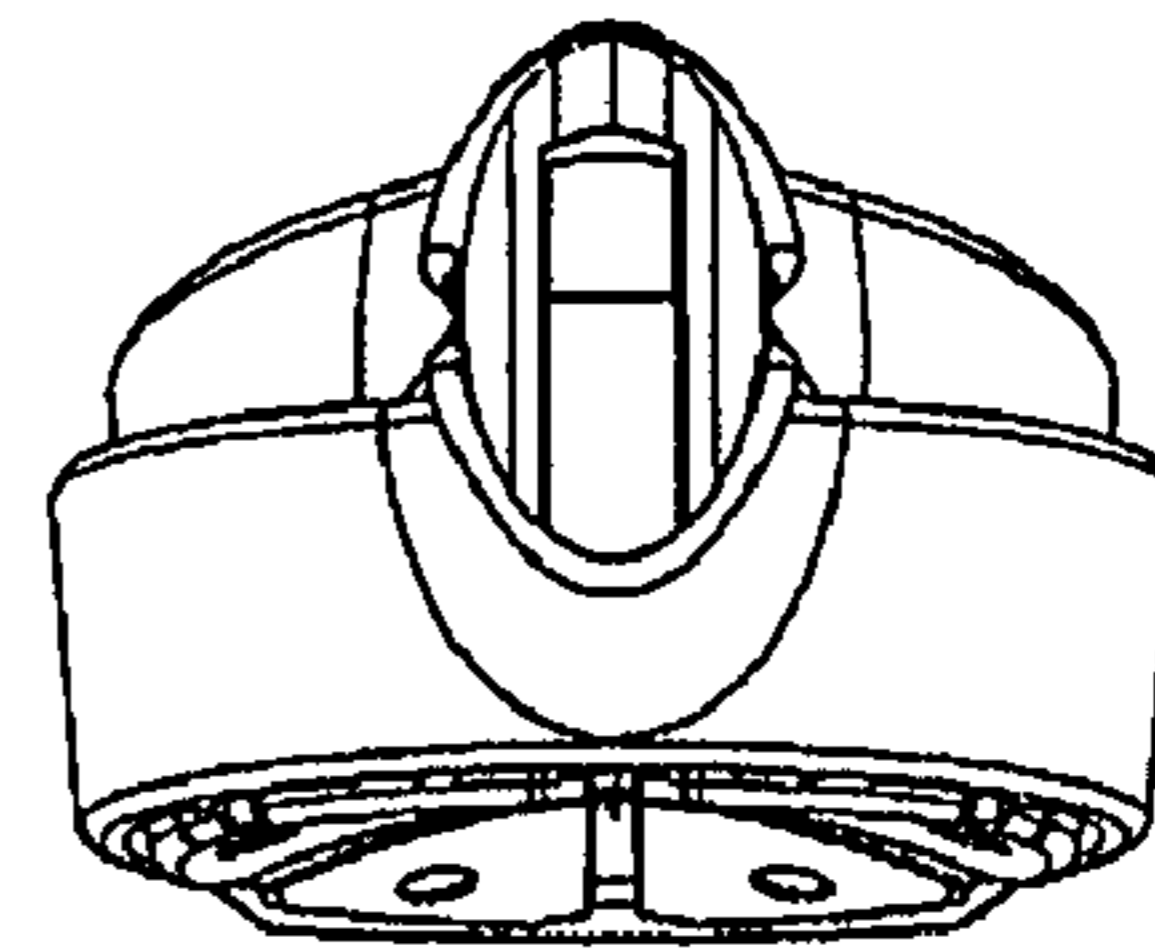


FIG. 3

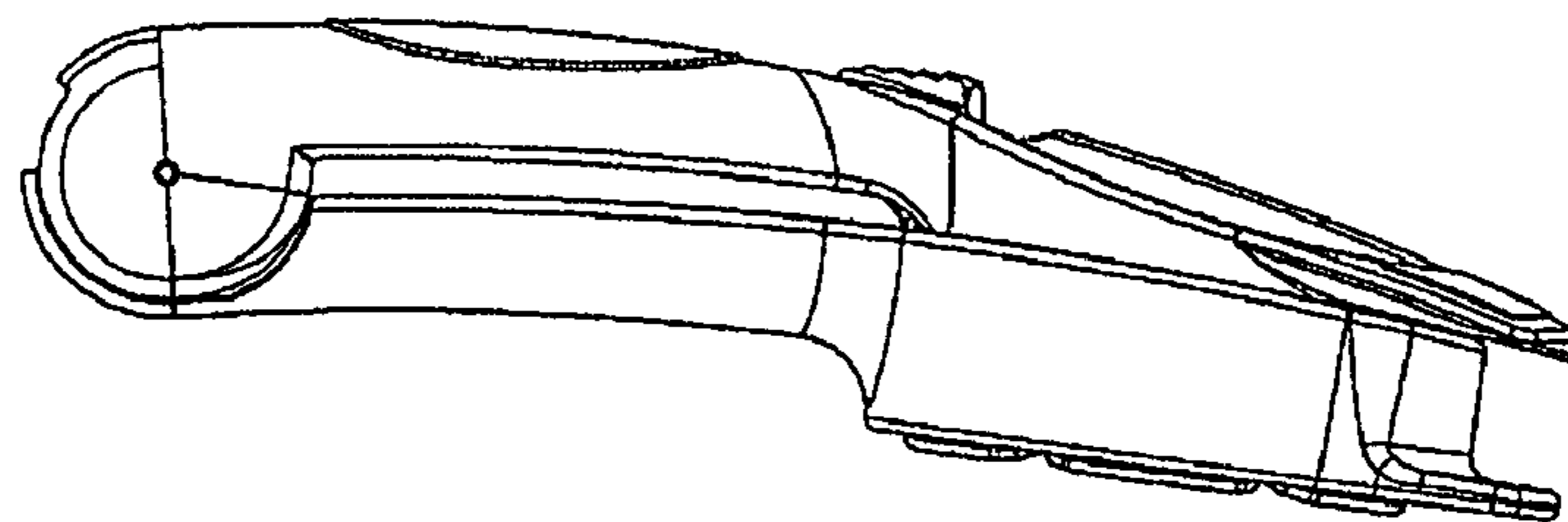


FIG. 4

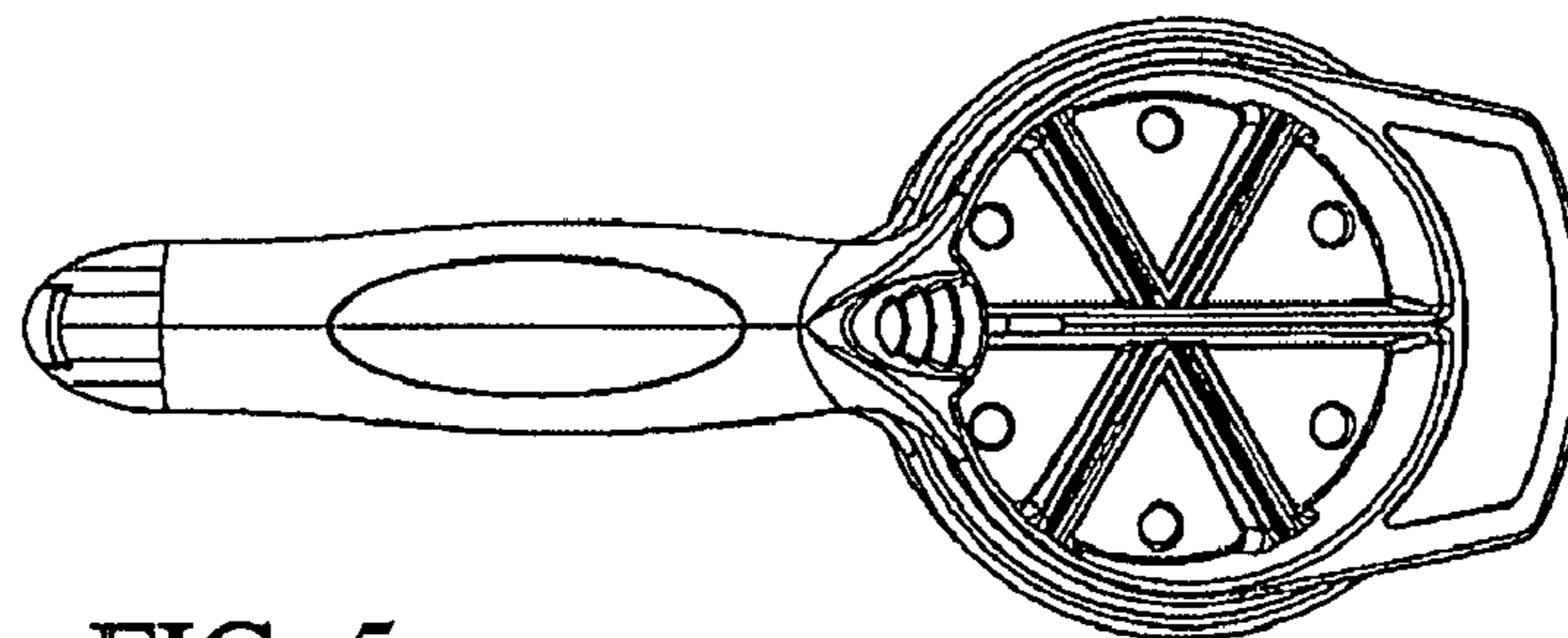


FIG. 5

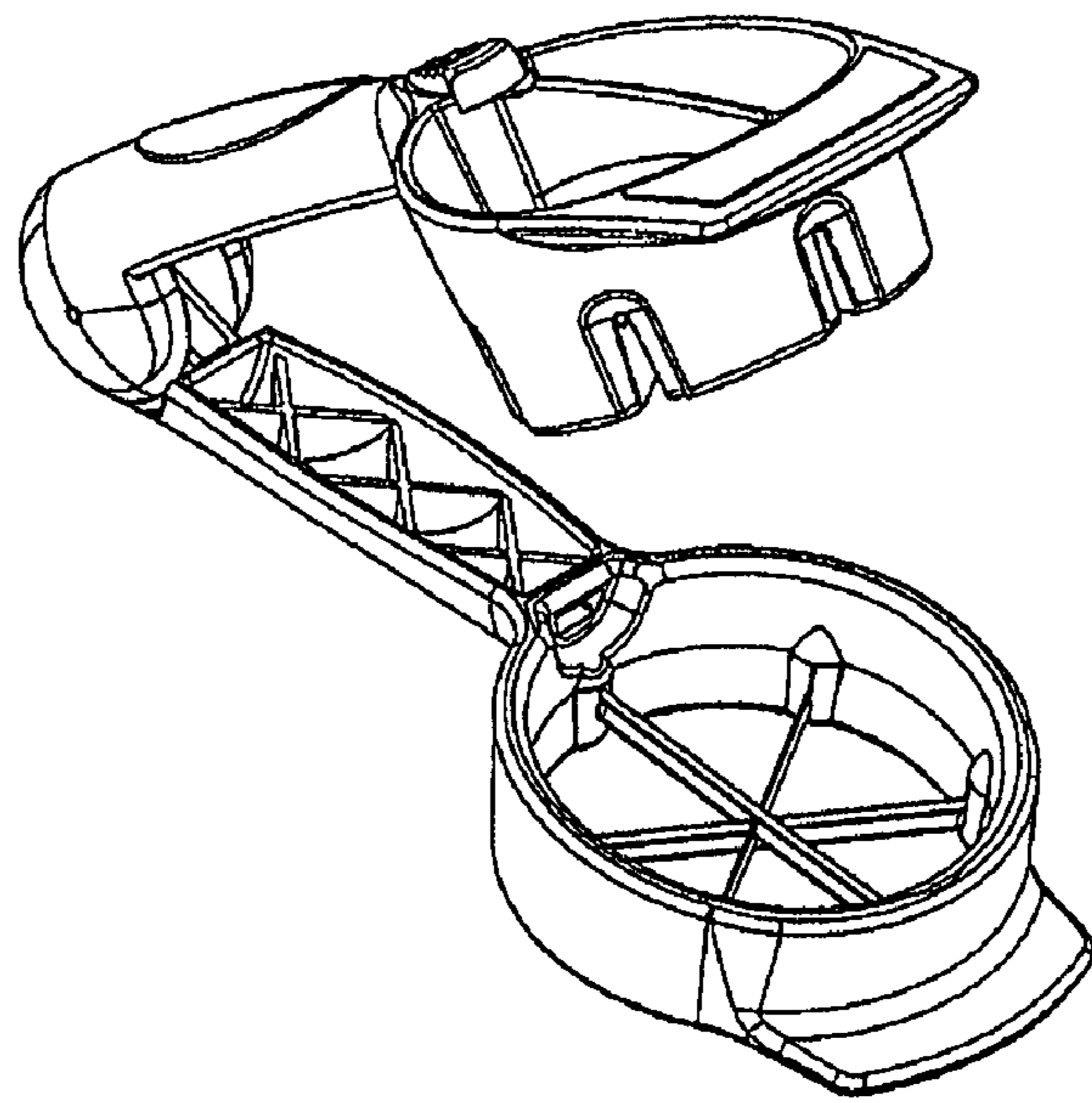


FIG. 6

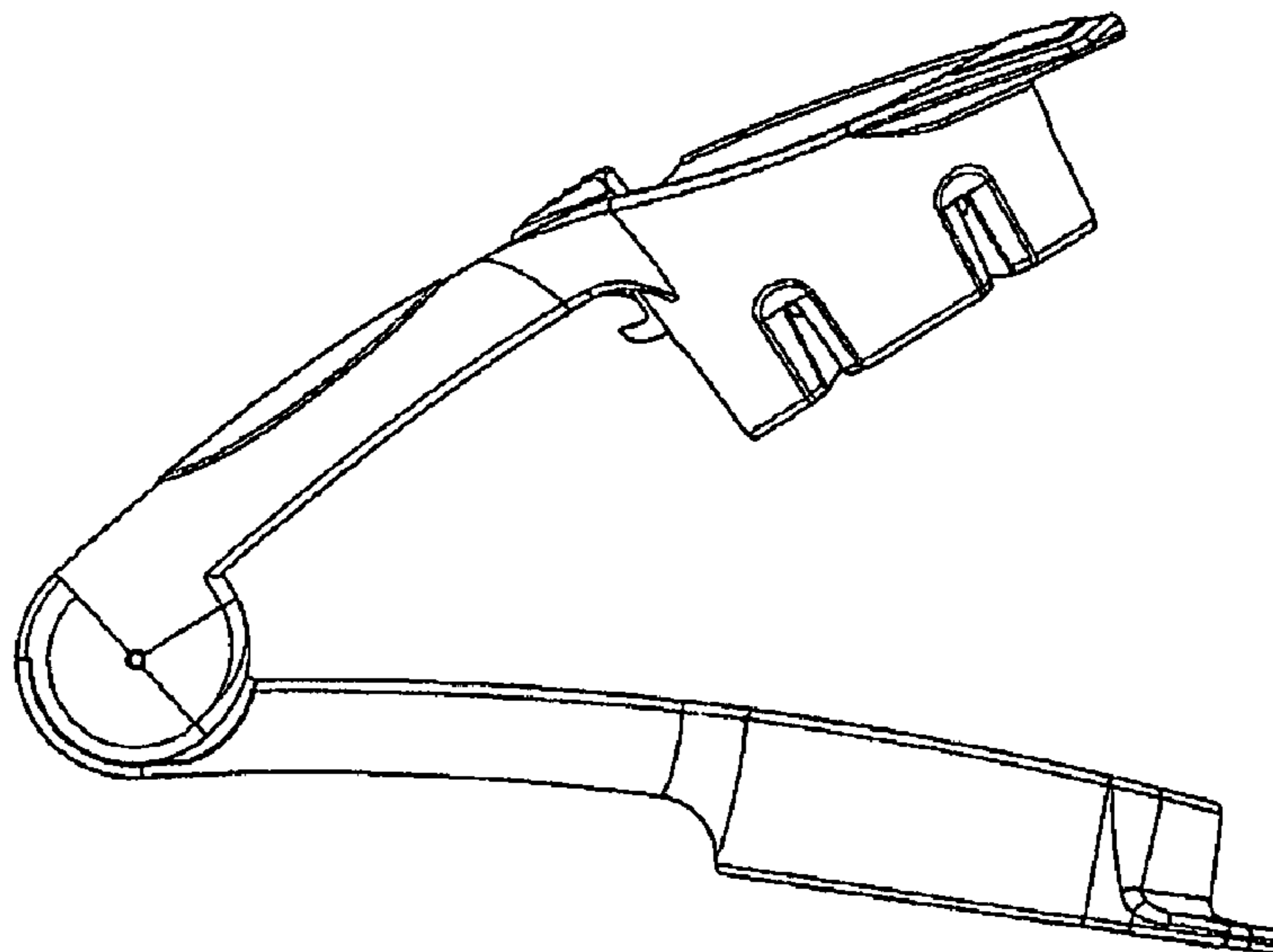


FIG. 7

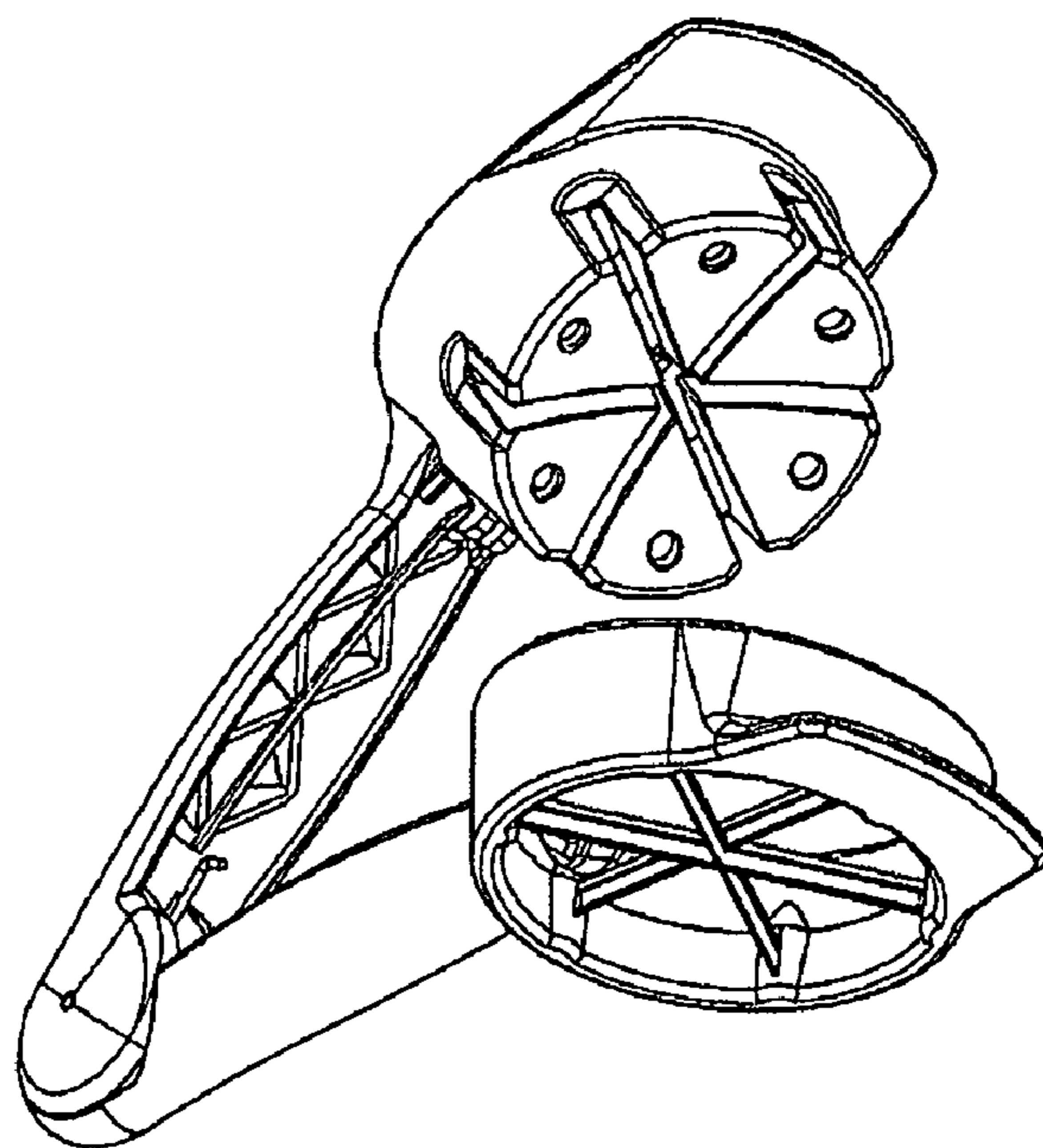


FIG. 8

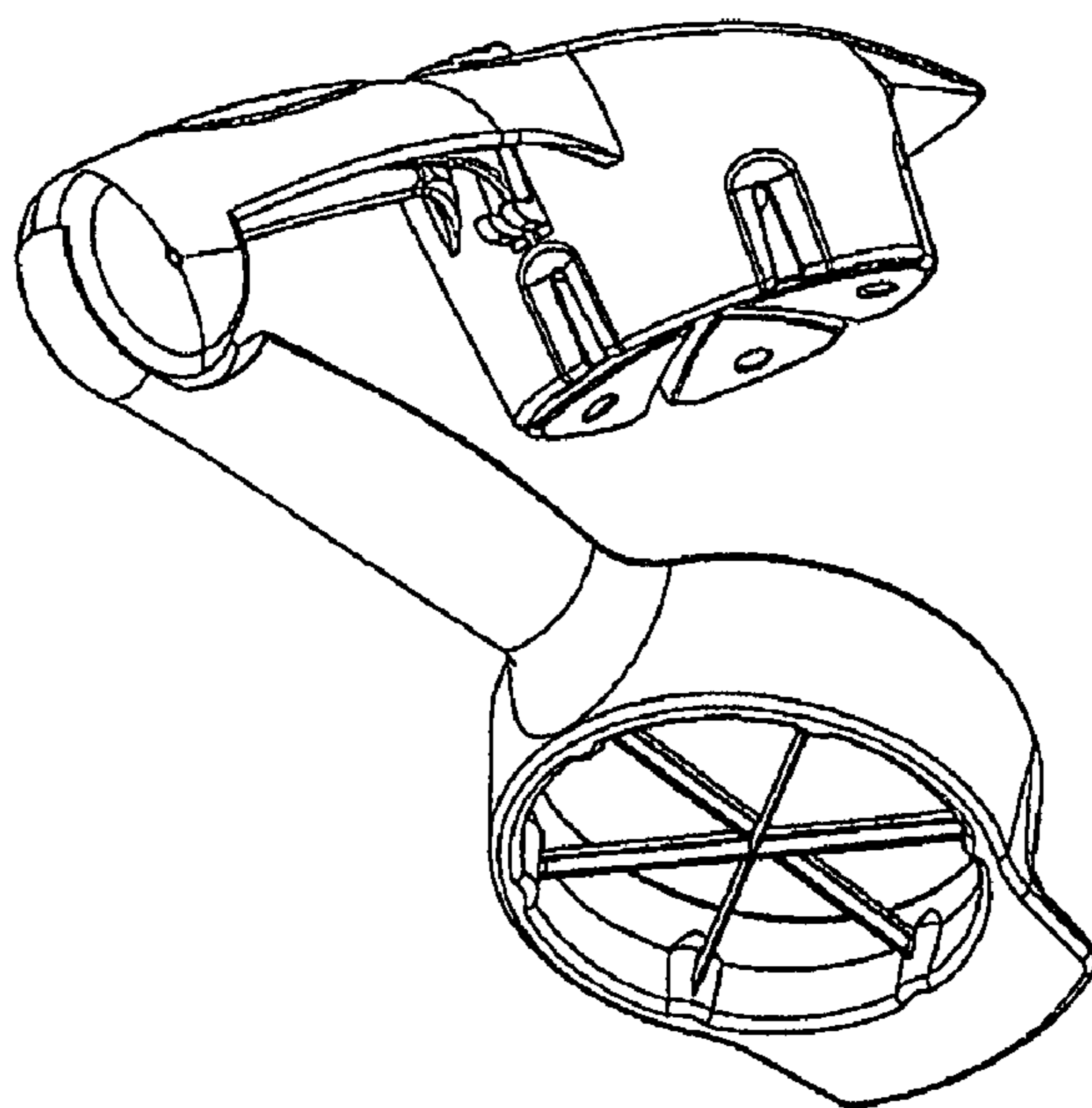


FIG. 9