



US00D576452S

(12) **United States Design Patent**
Kavanaugh et al.

(10) **Patent No.:** **US D576,452 S**
(45) **Date of Patent:** **** Sep. 9, 2008**

(54) **CONDIMENT GRINDER AND DISPENSER**

(75) Inventors: **Susan R. Kavanaugh**, Florence, AL
(US); **Rodney W. Robbins**, Florence,
AL (US)

(73) Assignee: **Robbins Industries, Inc.**, Florence, AL
(US)

(**) Term: **14 Years**

(21) Appl. No.: **29/289,981**

(22) Filed: **Aug. 9, 2007**

(51) **LOC (8) Cl.** **07-04**

(52) **U.S. Cl.** **D7/679**

(58) **Field of Classification Search** D7/590-598,
D7/679, 372, 373; D9/544-546, 549, 559,
D9/574, 575; 241/168, 169, 169.1, 169.2,
241/273.1-273.4, 286

See application file for complete search history.

(56) **References Cited**

U.S. PATENT DOCUMENTS

4,573,244 A 3/1986 Holcomb et al.
4,697,749 A * 10/1987 Holcomb et al. 241/169

D392,517 S * 3/1998 Holcomb et al. D7/679
D448,257 S 9/2001 Stewart et al.
D452,997 S * 1/2002 Holcomb et al. D7/679
D453,096 S 1/2002 Stewart et al.
D464,852 S * 10/2002 Tang D7/679
6,511,006 B1 1/2003 Holcomb et al.
6,568,616 B1 * 5/2003 Tang 241/168
6,672,524 B1 1/2004 Holcomb et al.
6,871,808 B2 3/2005 Holcomb et al.
7,210,643 B2 5/2007 Holcolmb et al.

* cited by examiner

Primary Examiner—Terry A Wallace

(74) *Attorney, Agent, or Firm*—Kramer Levin Naftalis &
Frankel LLP; Gregor N. Neff

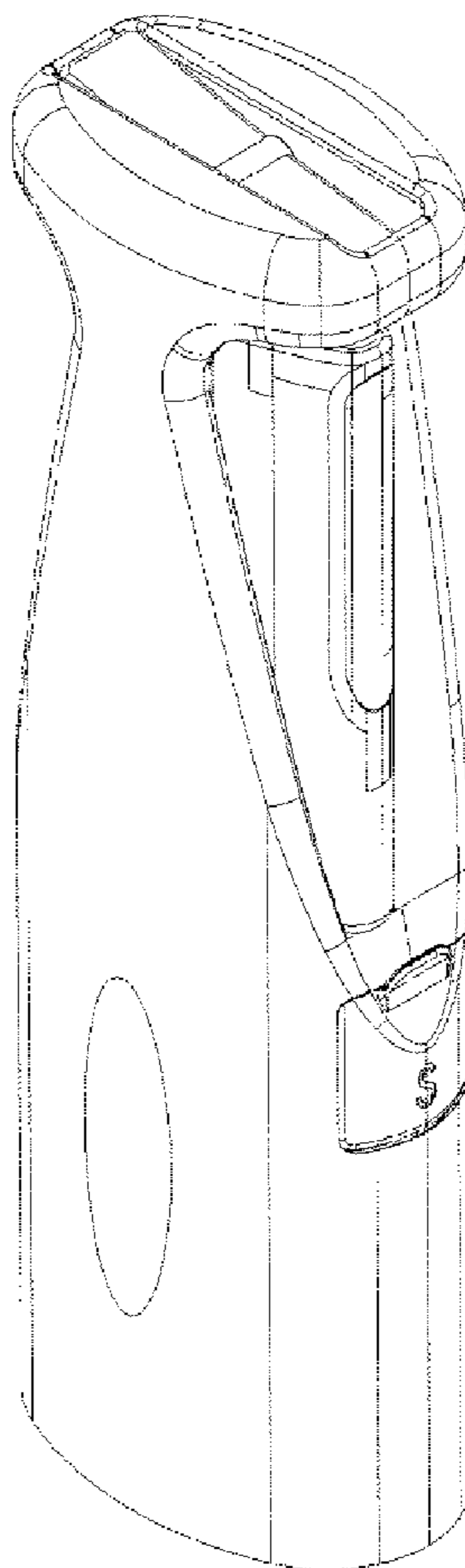
(57) **CLAIM**

The ornamental design for a condiment grinder and dispenser, as shown and described.

DESCRIPTION

FIGS. 1, 2, 3, 4 and 5 are, respectively, a top plan view; a left side elevation view; a front elevation view; a bottom plan view; and a perspective view of the condiment grinder and dispenser.

1 Claim, 1 Drawing Sheet



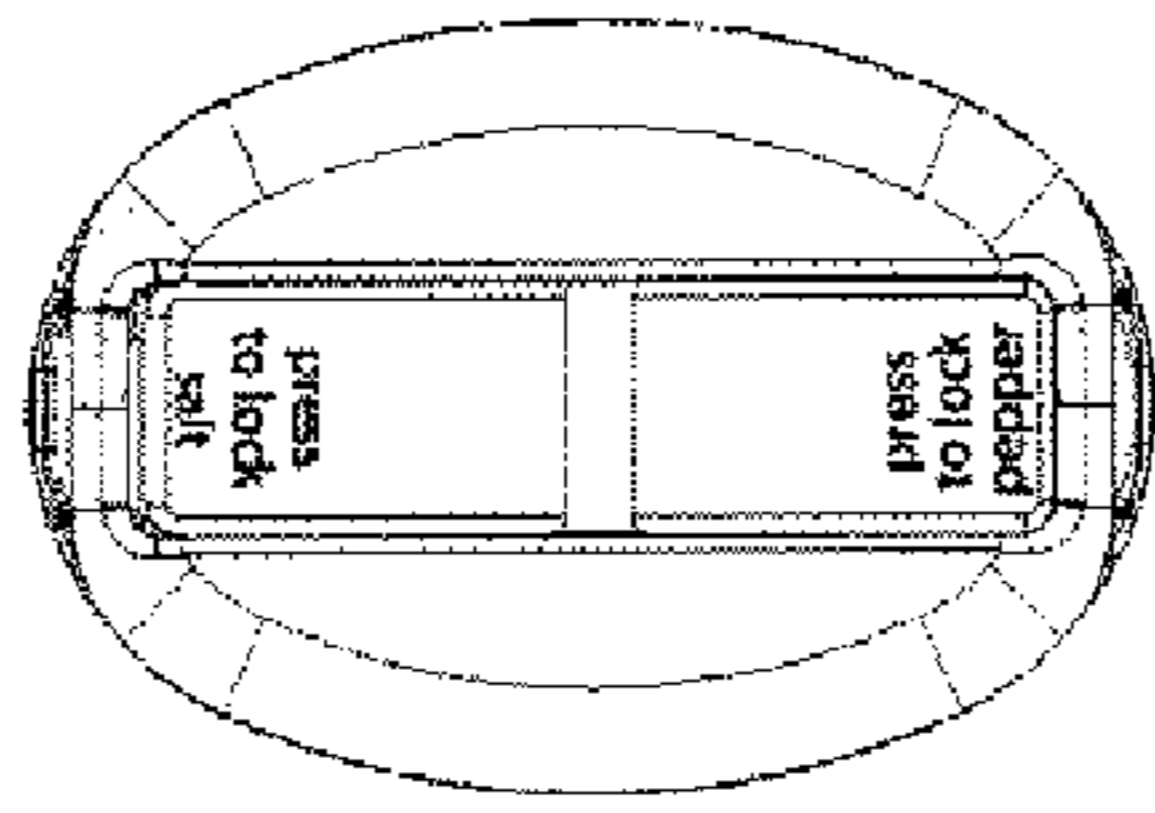


Fig. 1

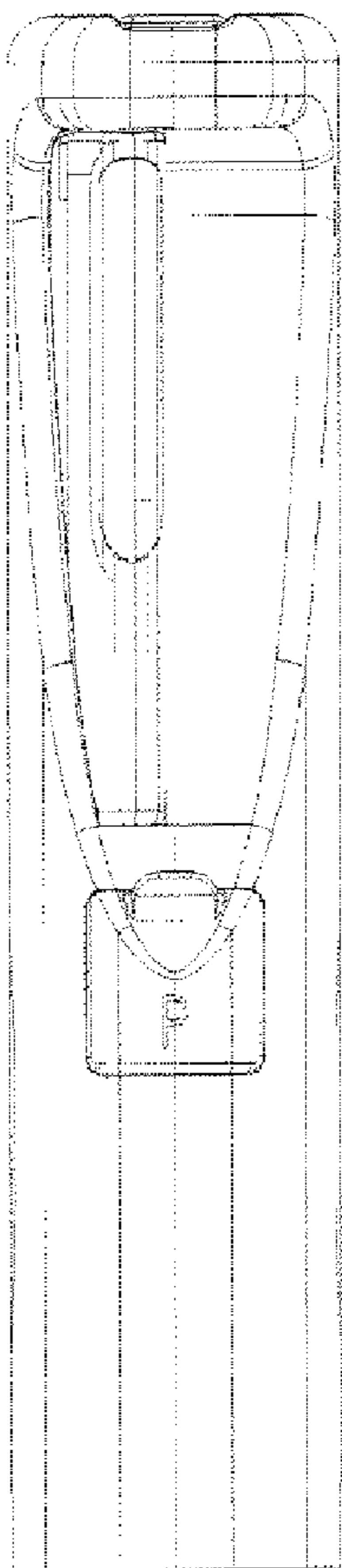


Fig. 2

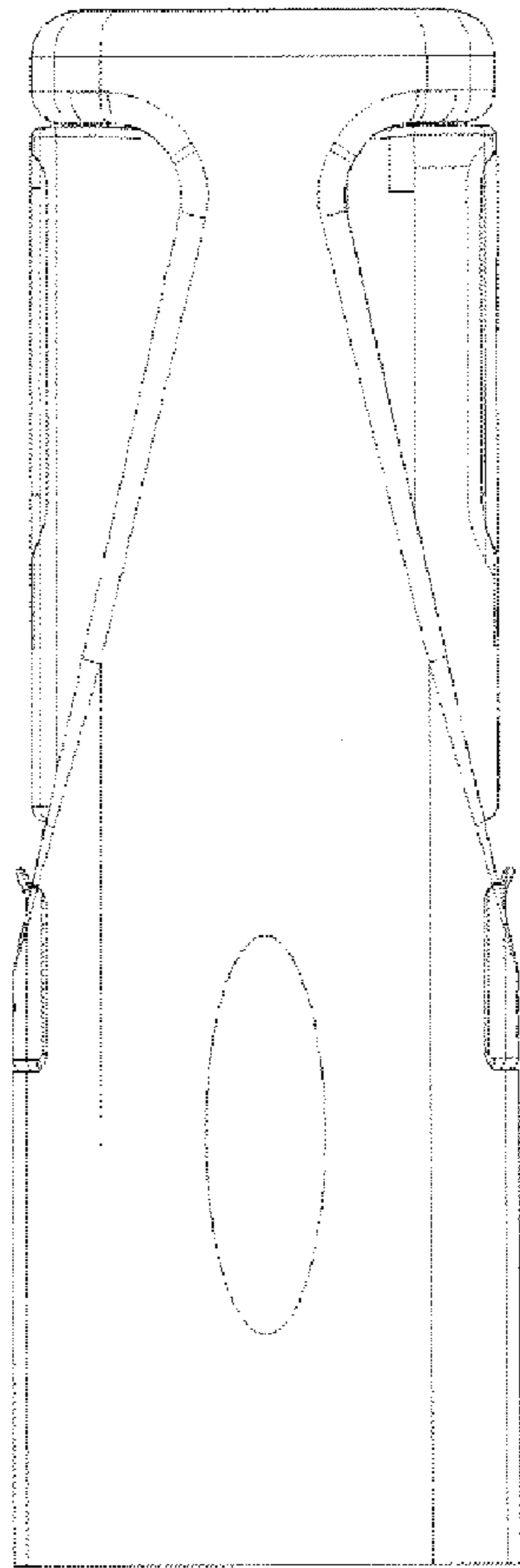


Fig. 3

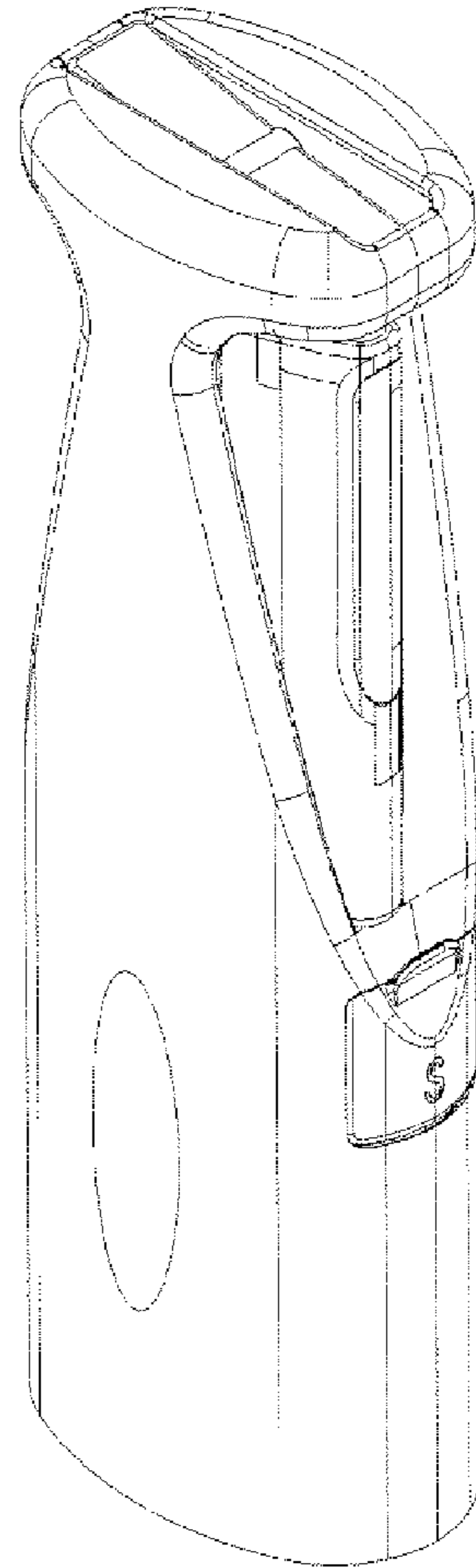


Fig. 5

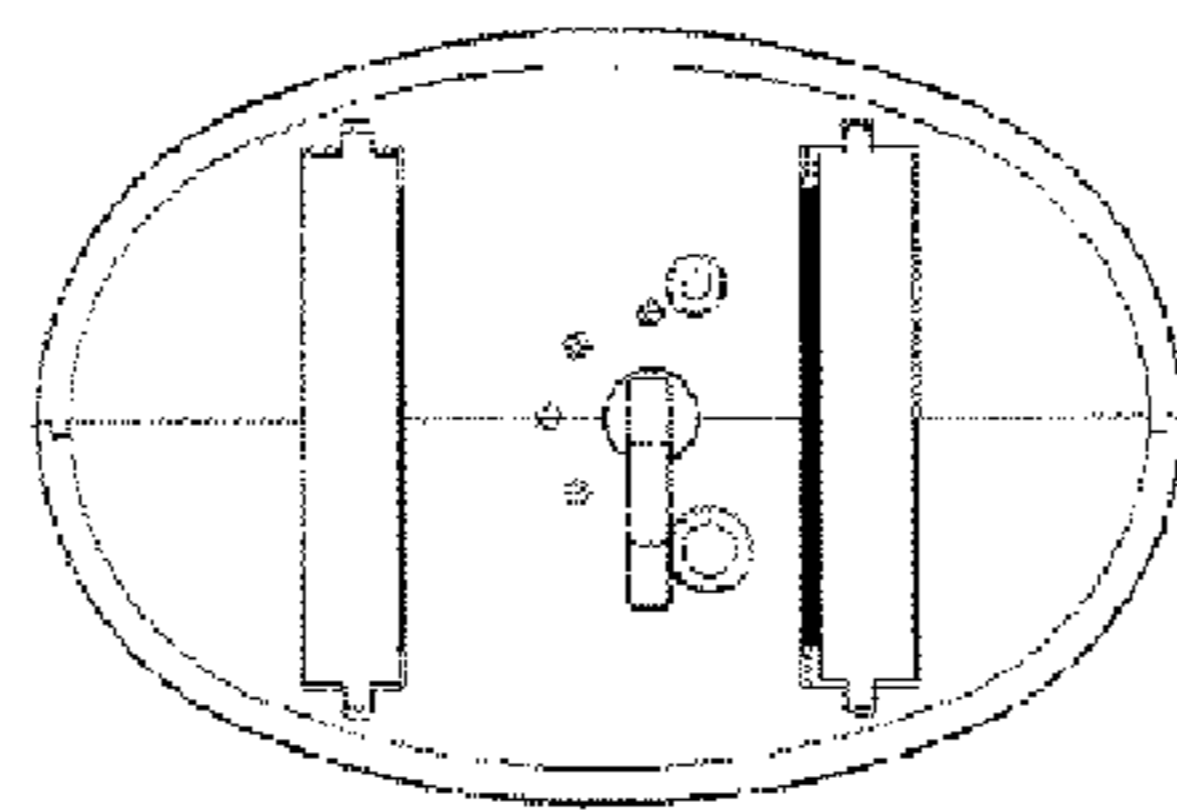


Fig. 4