



US00D576451S

(12) **United States Design Patent**
Bagley, Jr.

(10) **Patent No.:** **US D576,451 S**
(45) **Date of Patent:** **** Sep. 9, 2008**

(54) **INFANT'S SPOON**

(76) Inventor: **Lonnie Bagley, Jr.**, 107 Pioneer St.,
Gadsden, AL (US) 35903

(**) Term: **14 Years**

(21) Appl. No.: **29/296,361**

(22) Filed: **Oct. 18, 2007**

(51) **LOC (8) Cl.** **07-03**

(52) **U.S. Cl.** **D7/655**

(58) **Field of Classification Search** D7/368,
D7/393, 395, 401.2, 642-646, 649-653, 662-664,
D7/669, 675-676, 683, 688-692, 695-696;
D8/10, 36, 75, 80, 83, 87, 98, 99, 102, 107,
D8/300, 303; 30/123.5-123.7, 124-125,
30/128, 137, 141-142, 143, 147-150, 169,
30/304, 316, 322-329, 340, 342-346, 353,
30/355, 394; 416/70 R; D1/113; D4/107;
D21/447-450; 76/105

See application file for complete search history.

(56) **References Cited**

U.S. PATENT DOCUMENTS

D149,705 S * 5/1948 Struck D21/450
D166,914 S * 6/1952 Hepner D7/655
D172,480 S * 6/1954 Silletti D7/655
D257,757 S 1/1981 Acker

D302,510 S 8/1989 Bergman
D310,944 S 10/1990 Lutzker
D407,274 S 3/1999 Lake et al.
D437,740 S 2/2001 Manion et al.

OTHER PUBLICATIONS

Posh Tots 2004, p. 19, Airplane Sterling Silver Spoon.*

* cited by examiner

Primary Examiner—Janice E. Seeger

Assistant Examiner—Ricky Pham

(74) *Attorney, Agent, or Firm*—Dale J. Ream

(57) **CLAIM**

The ornamental design for a infant's spoon, as shown and described.

DESCRIPTION

FIG. 1 is a perspective view of a baby spoon showing my new design.

FIG. 2 is a front view thereof;

FIG. 3 is a back view thereof;

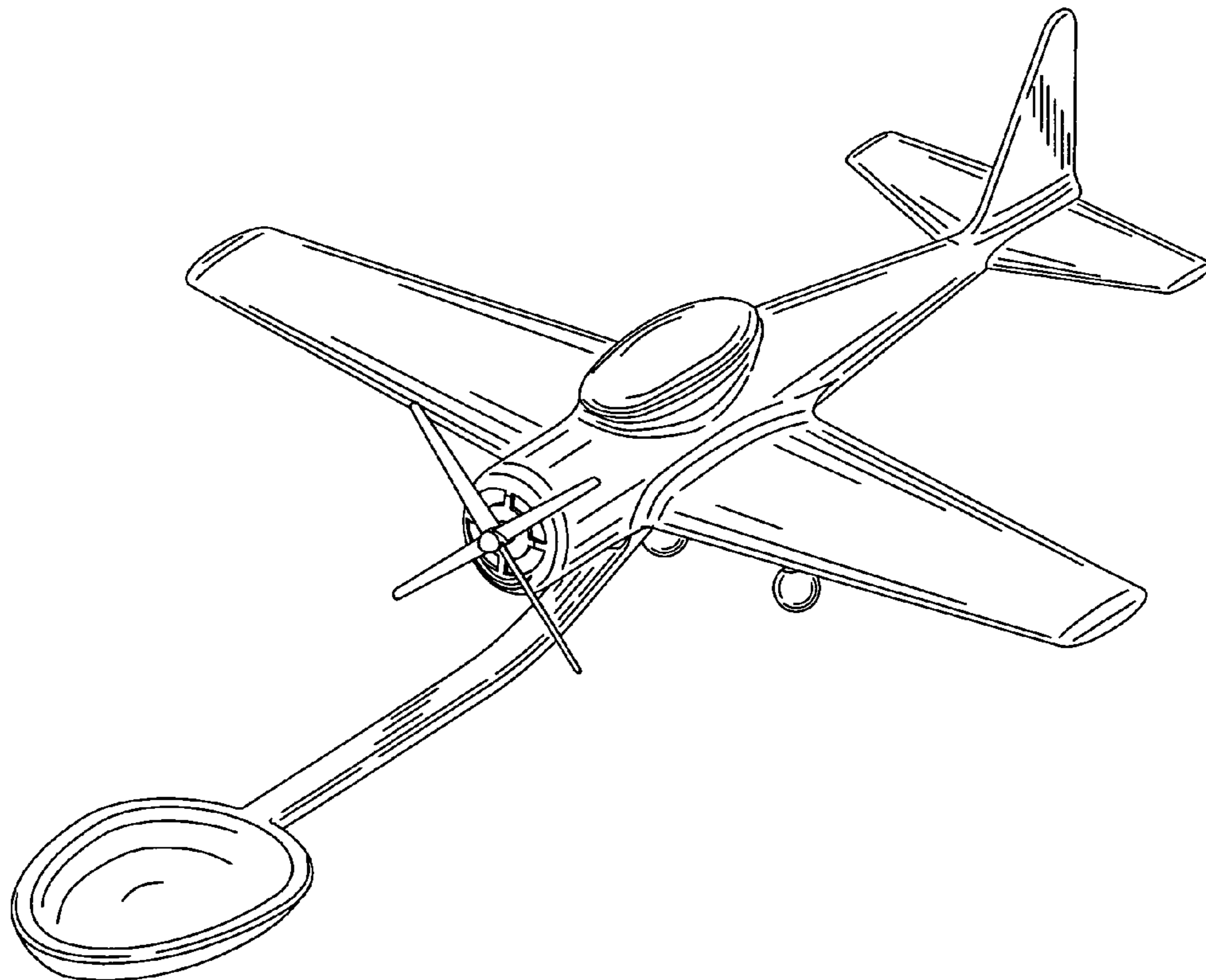
FIG. 4 is a left side view thereof;

FIG. 5 is a right side view thereof;

FIG. 6 is a top view thereof; and,

FIG. 7 is a bottom view thereof.

1 Claim, 5 Drawing Sheets



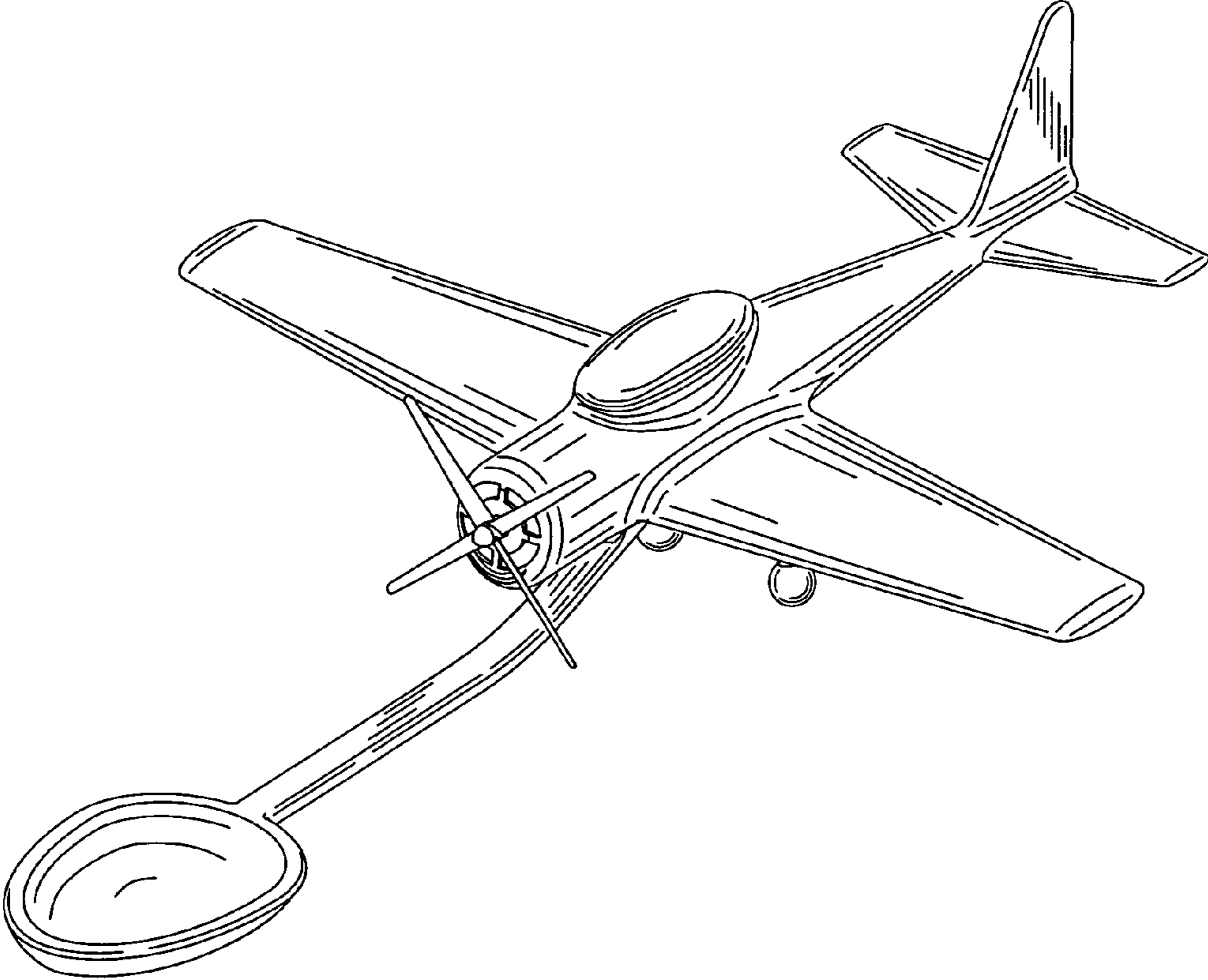


FIG. 1

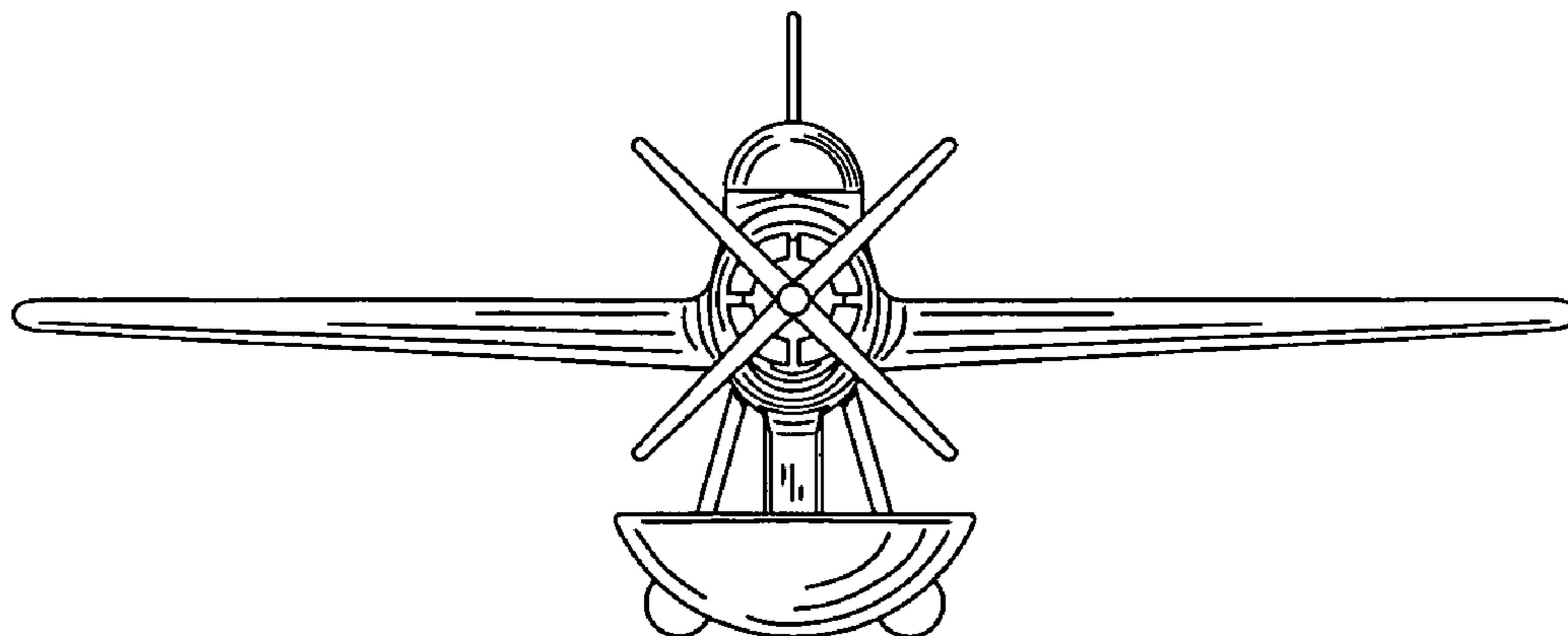


FIG. 2

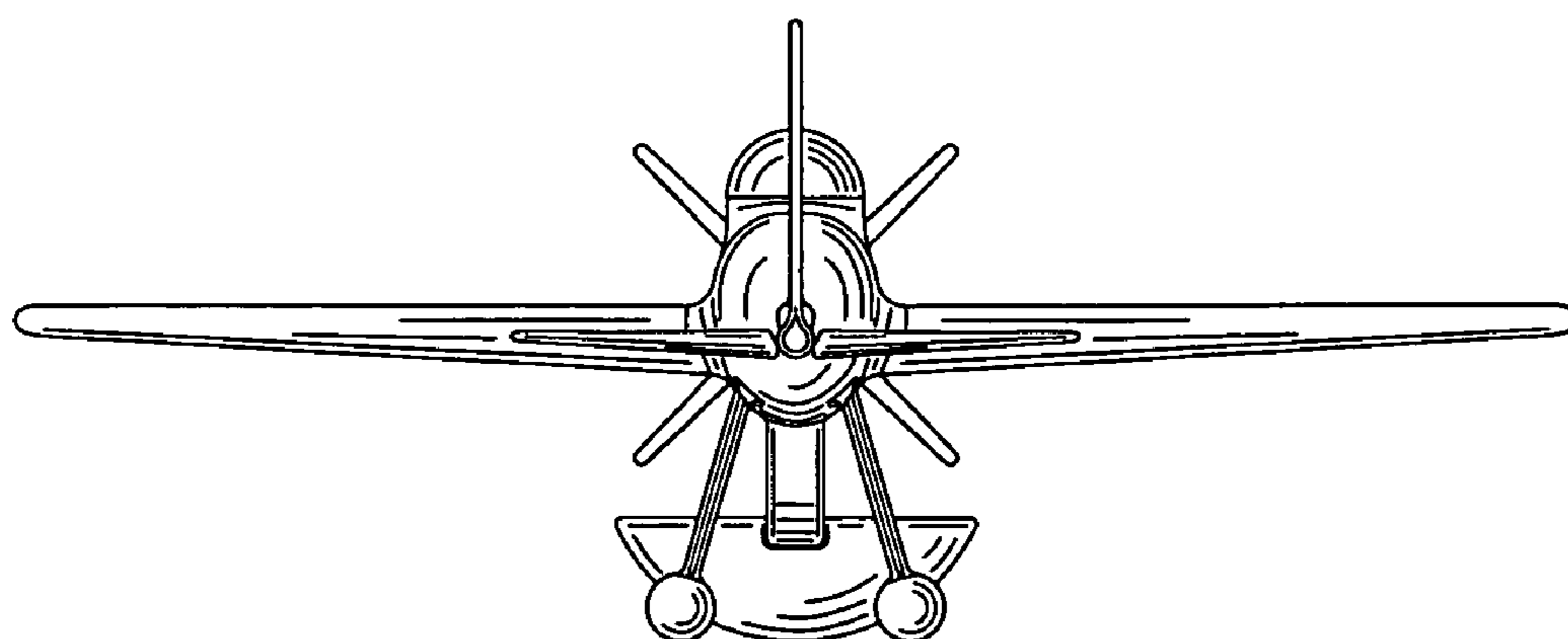


FIG. 3

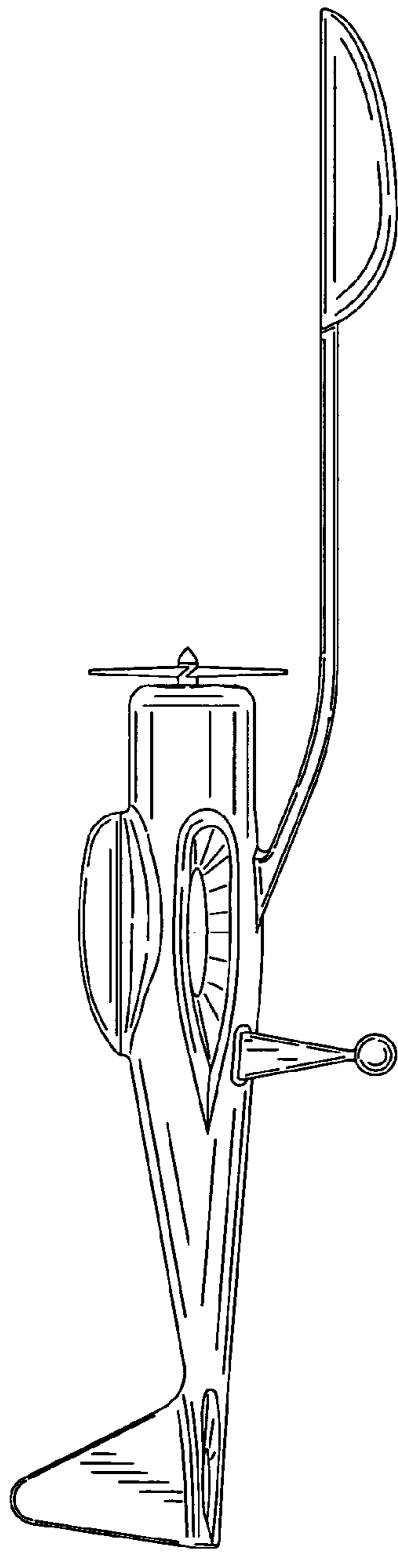


FIG. 4

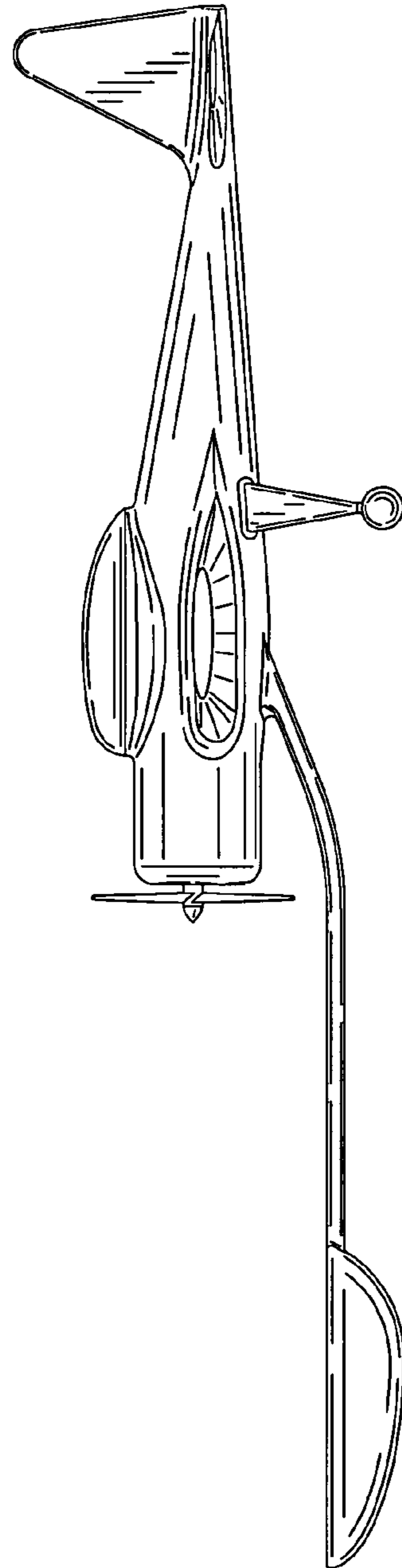


FIG. 5

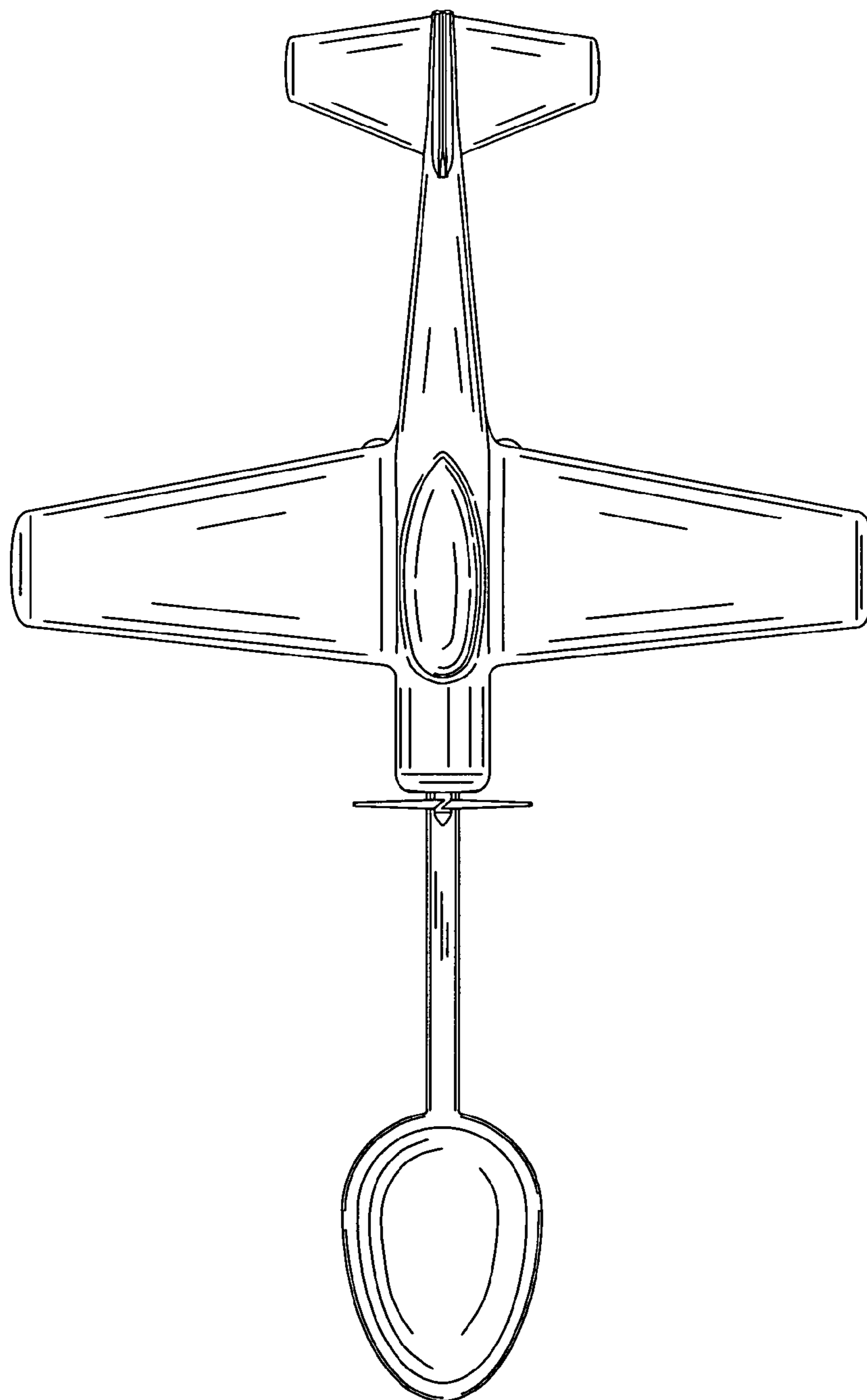


FIG. 6

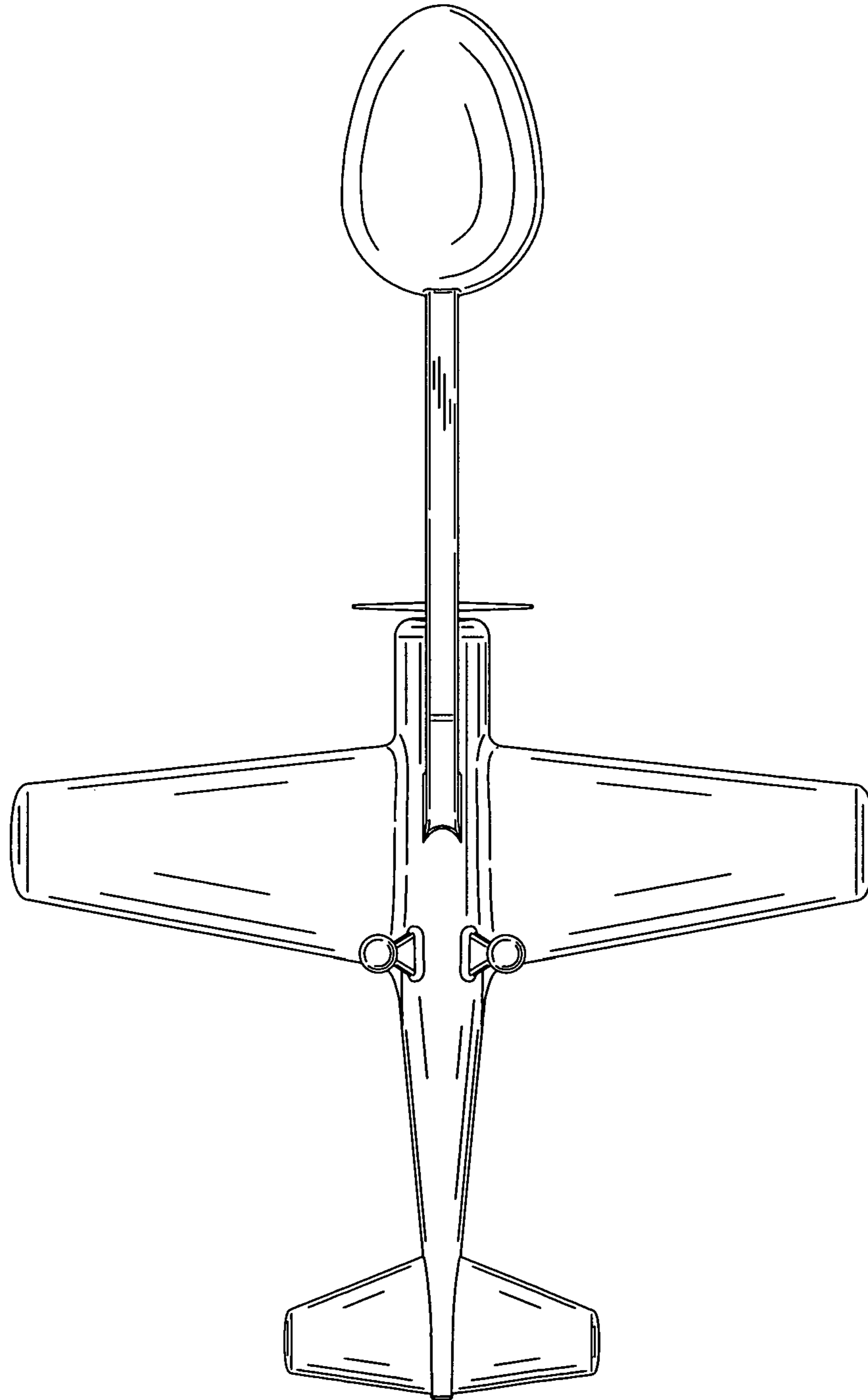


FIG. 7