



US00D576450S

(12) **United States Design Patent**
Roth et al.

(10) **Patent No.:** **US D576,450 S**

(45) **Date of Patent:** **** Sep. 9, 2008**

(54) **CONTAINER**

(76) Inventors: **Donna Roth**, 10 Cordage Park Cir.,
Suite 212, Plymouth, MA (US) 02360;
Henry Roth, 10 Cordage Park Cir., Suite
212, Plymouth, MA (US) 02360

(**) Term: **14 Years**

(21) Appl. No.: **29/281,556**

(22) Filed: **Jun. 26, 2007**

(51) **LOC (8) Cl.** **07-01**

(52) **U.S. Cl.** **D7/629**

(58) **Field of Classification Search** D7/510,
D7/511, 612-615, 629, 601, 602; 220/780-805,
220/203.01, 574-575; D9/428, 549, 559,
D9/435, 446

See application file for complete search history.

(56) **References Cited**

U.S. PATENT DOCUMENTS

- D180,049 S * 4/1957 Tupper D7/510
- D421,547 S * 3/2000 Demers D7/510
- D447,917 S * 9/2001 Miller et al. D7/629
- D482,936 S * 12/2003 Miller et al. D7/629
- D527,588 S * 9/2006 de Groote et al. D7/693
- D531,461 S * 11/2006 Littmann D7/629

* cited by examiner

Primary Examiner—Terry A Wallace

(74) *Attorney, Agent, or Firm*—Garcia-Zamor IP Law; Ruy M. Garcia-Zamor

(57) **CLAIM**

The ornamental design for a container, as shown and described.

DESCRIPTION

FIG. 1 is a perspective view of a container according to a first preferred embodiment of our new design;

FIG. 2 is a right side elevational view of the container of FIG. 1, the left side elevational view of the container of FIG. 1 being a mirror image thereof;

FIG. 3 is a front elevational view of the container of FIG. 1;

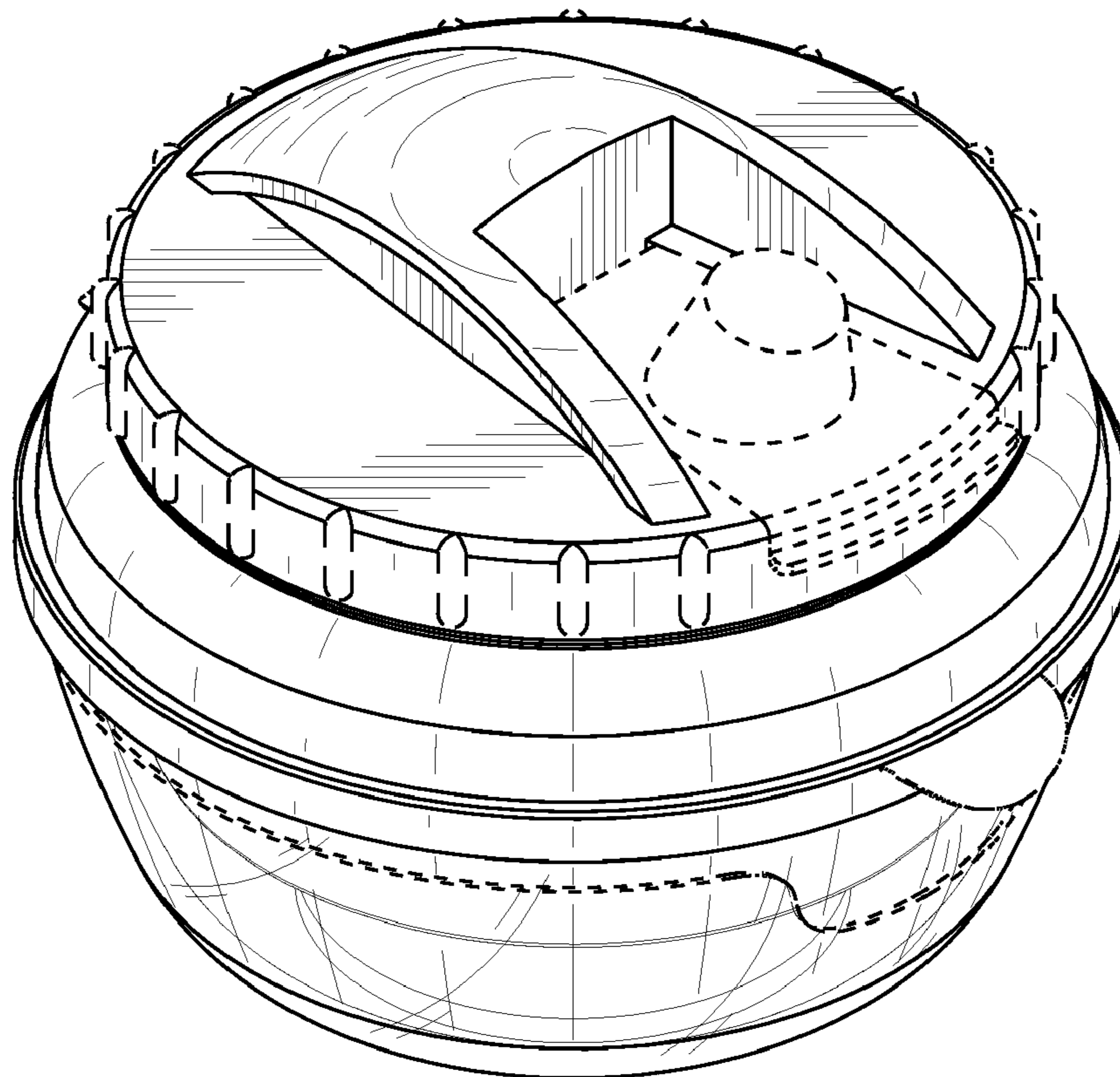
FIG. 4 is a top plan view of the container of FIG. 1;

FIG. 5 is a rear elevational view of the container of FIG. 1; and,

FIG. 6 is a bottom plan view of the container of FIG. 1.

The broken lines are for illustrative purposes only and form no part of the claimed design.

1 Claim, 3 Drawing Sheets



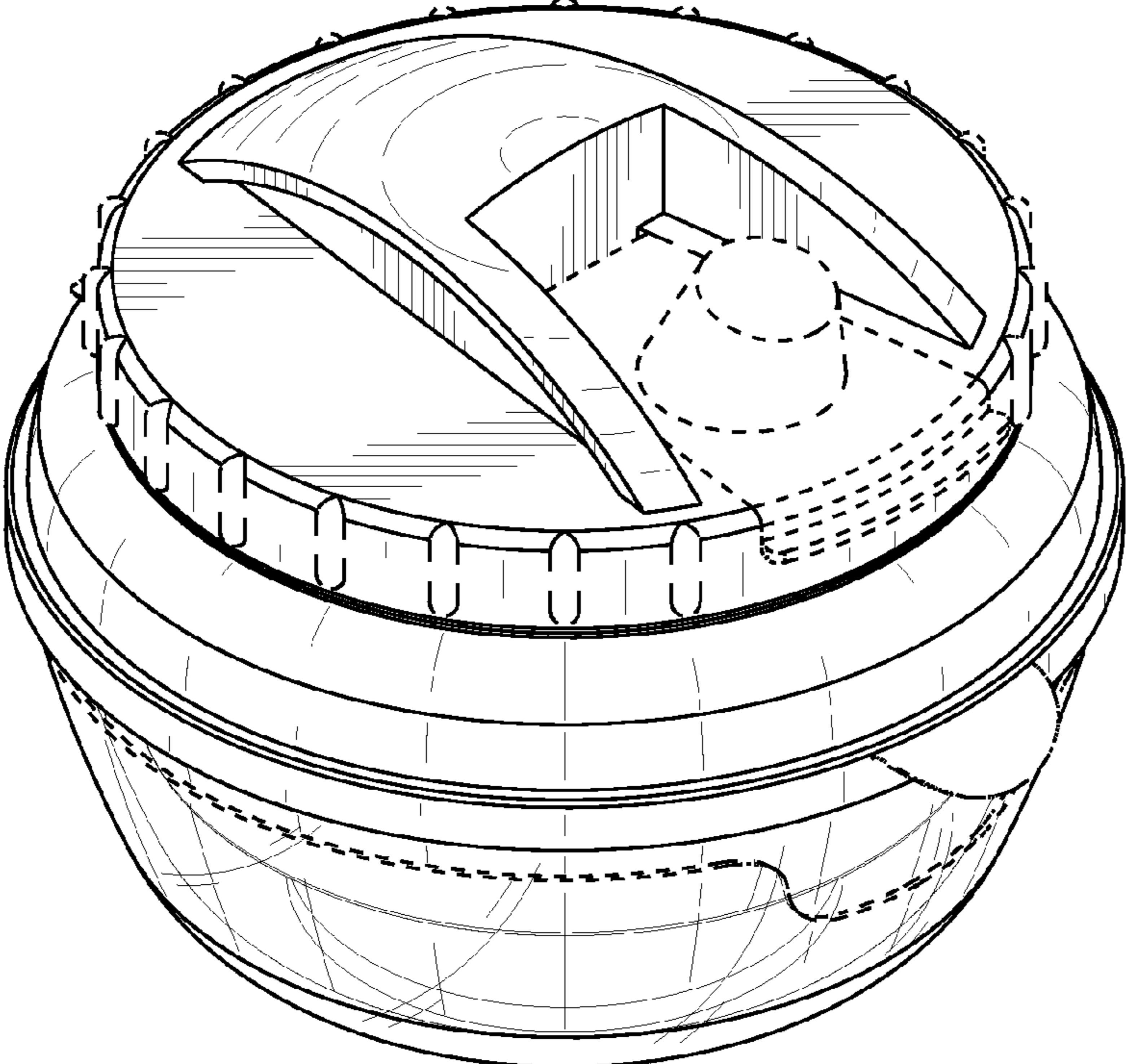


FIG. 1

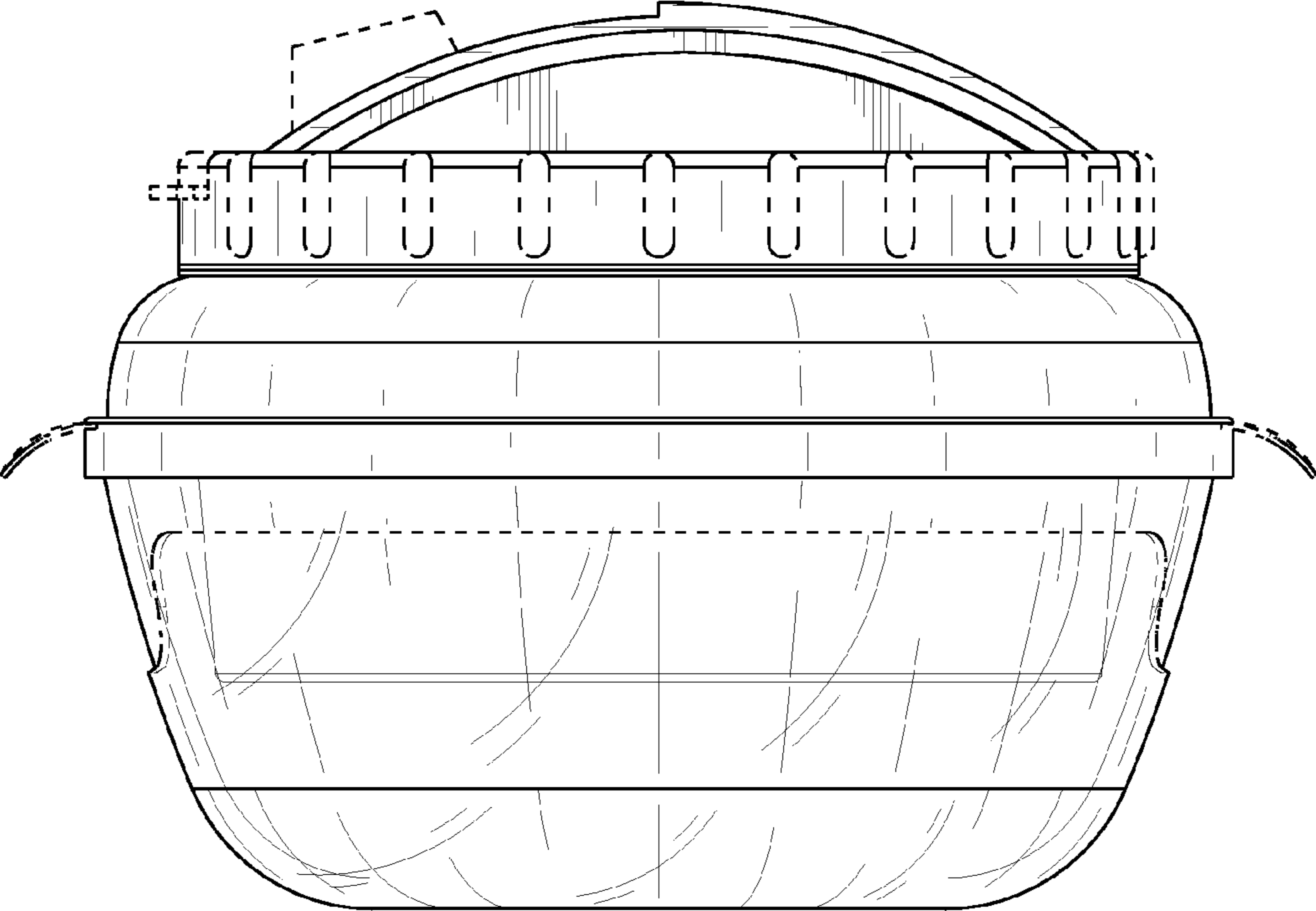


FIG. 2

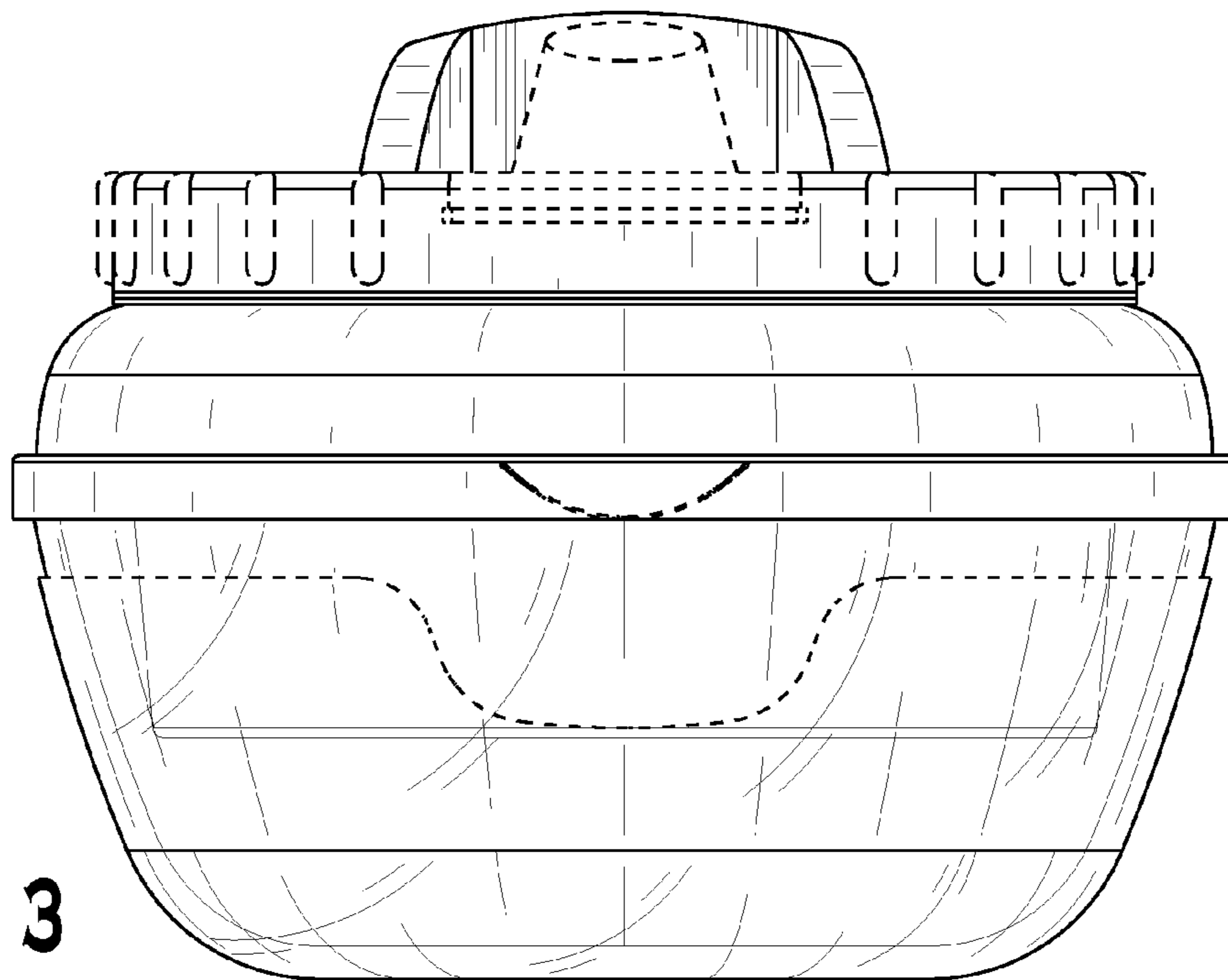


FIG. 3

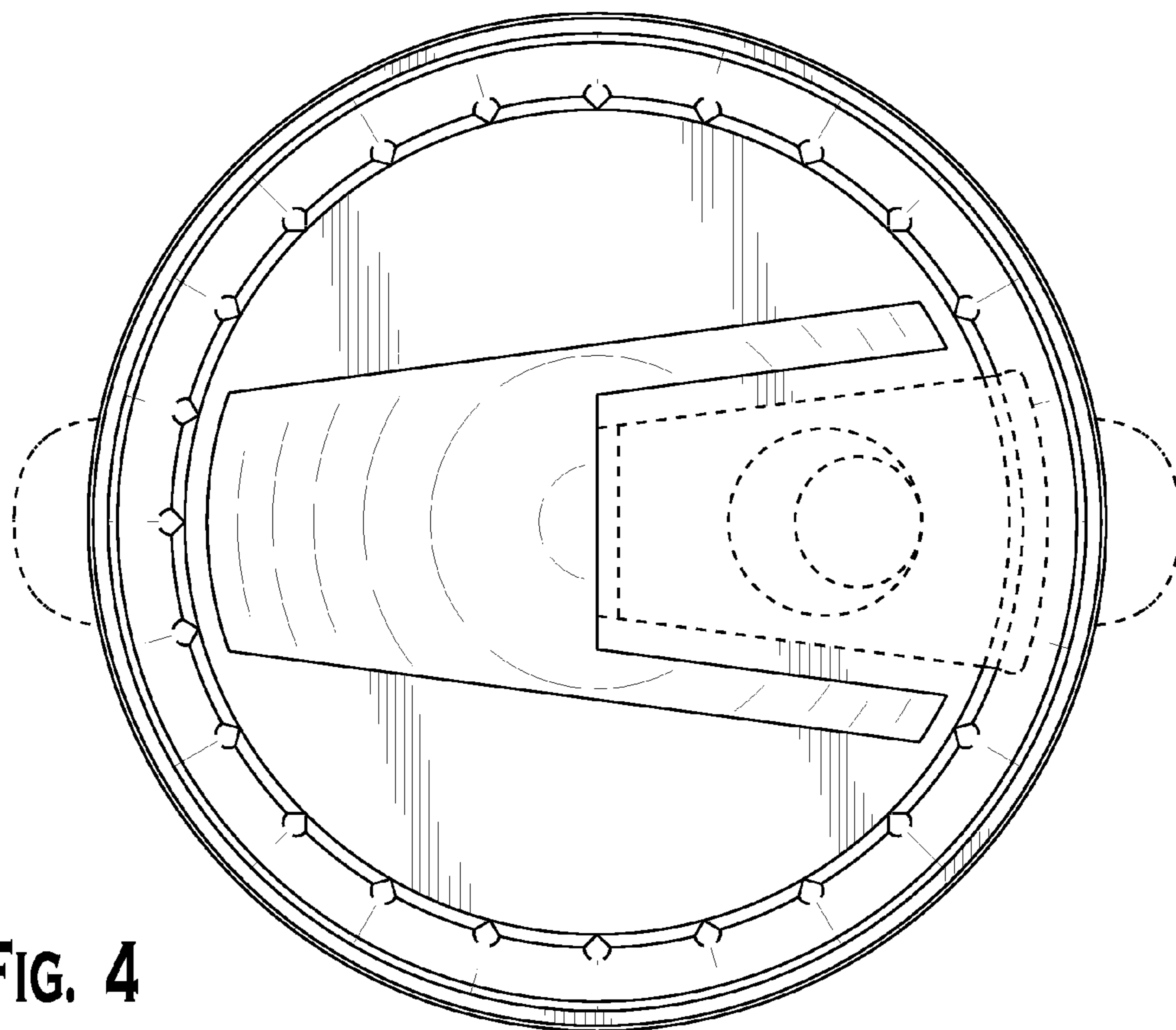


FIG. 4

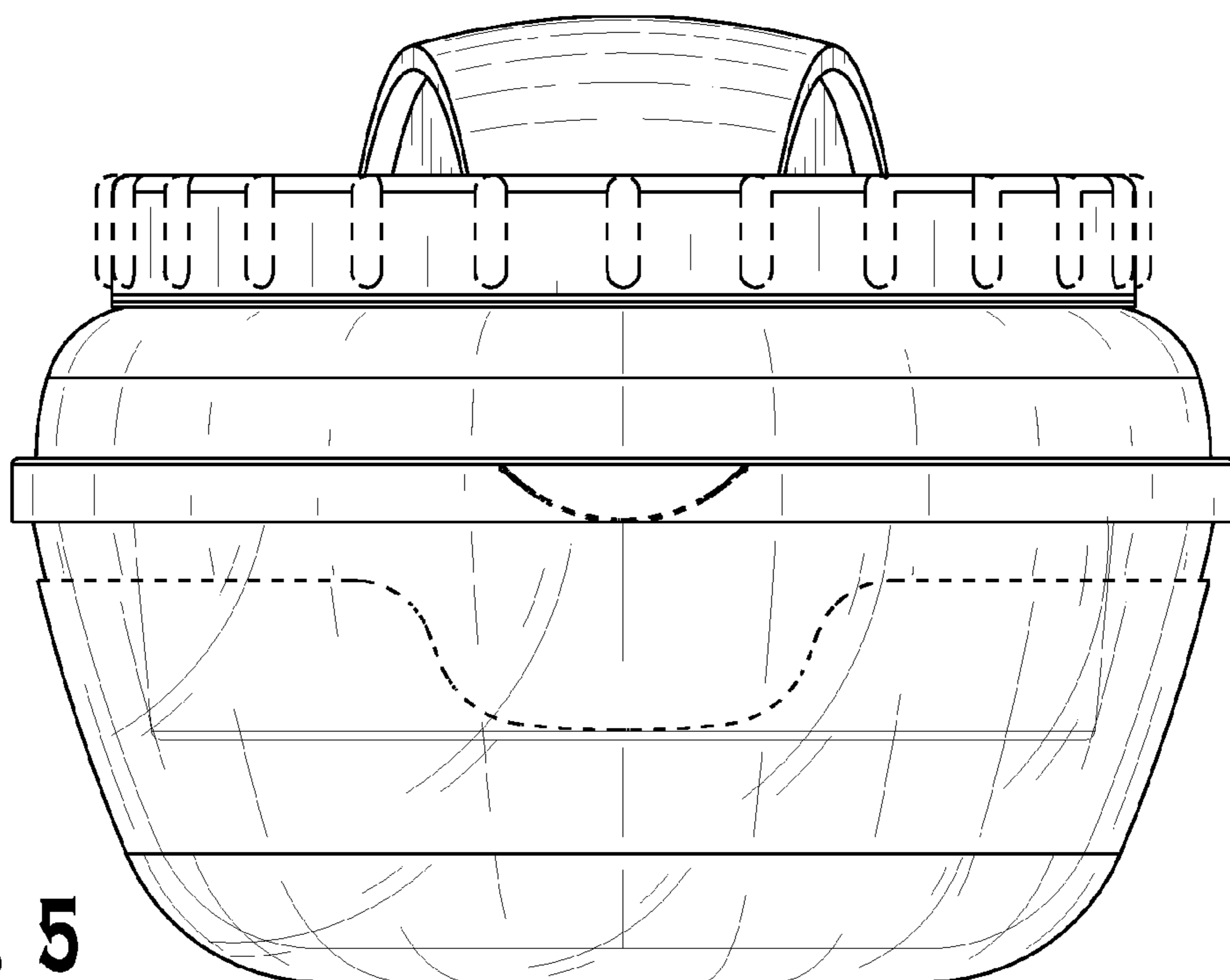


FIG. 5

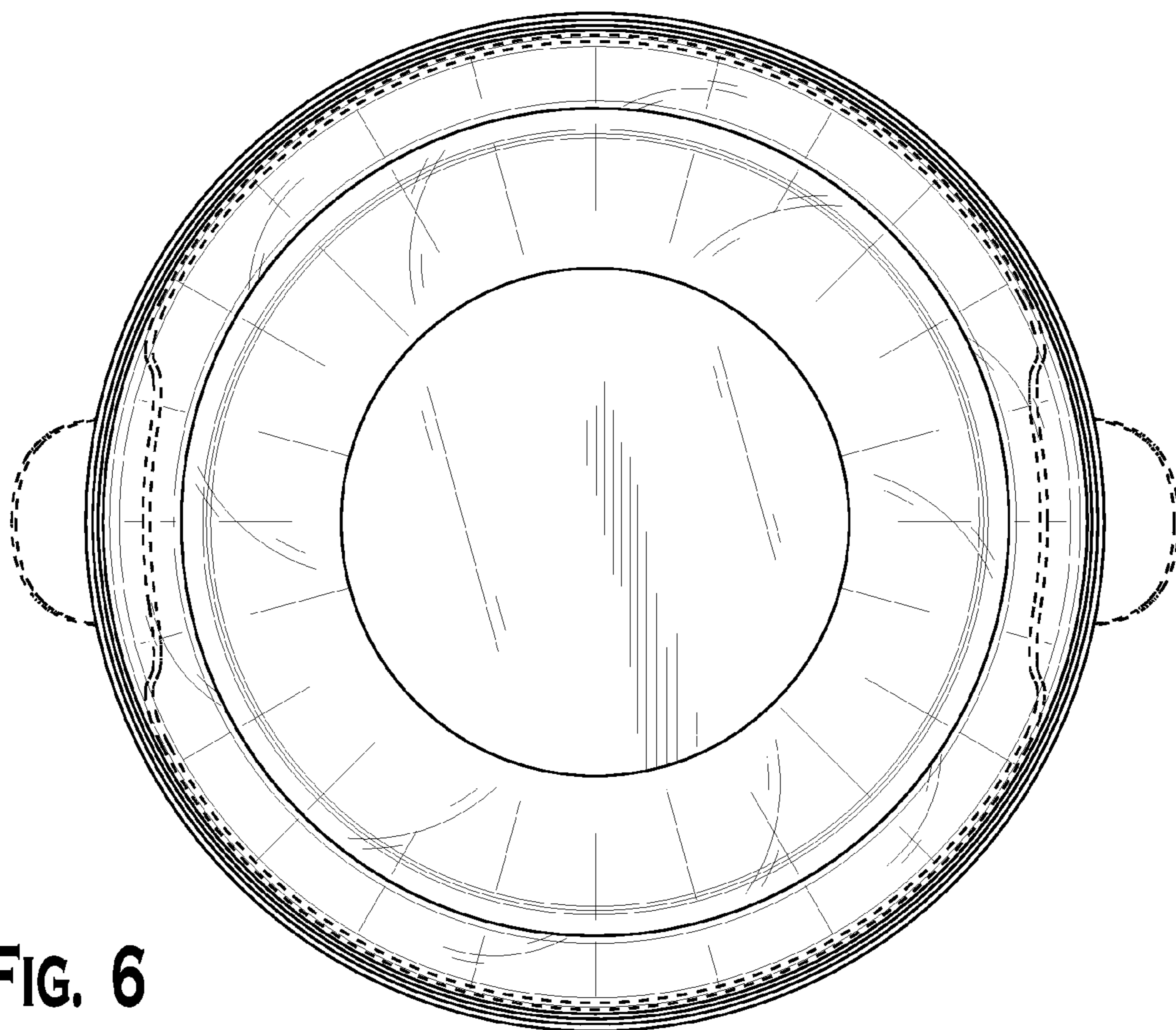


FIG. 6