



US00D576448S

(12) **United States Design Patent**
Harris

(10) **Patent No.:** **US D576,448 S**
(45) **Date of Patent:** **** Sep. 9, 2008**

(54) **COMBINED BASE AND BOWL WITH TAB**

7,306,112 B2 * 12/2007 Shepard 220/506
D564,710 S * 3/2008 Modi et al. D30/129

(76) Inventor: **Charles E. Harris**, P.O. Box 18, Mae Fah Luang District, Chiang Rai (TH) 57240

* cited by examiner

Primary Examiner—Charles A Rademaker
(74) *Attorney, Agent, or Firm*—Nixon Peabody LLP

(**) Term: **14 Years**

(21) Appl. No.: **29/298,674**

(57) **CLAIM**

(22) Filed: **Dec. 10, 2007**

The ornamental design for a combined base and bowl with tab, as shown and described.

(51) **LOC (8) Cl.** **07-01**

DESCRIPTION

(52) **U.S. Cl.** **D7/505; D7/507; D7/584; D7/586**

FIG. 1 is a top perspective view of a combined base and bowl with tab showing my new design;

(58) **Field of Classification Search** D7/505, D7/507, 550.1, 554.3, 543, 545, 553.1, 553.3,

FIG. 2 is a bottom perspective view thereof;

D7/562, 535, 555; D30/129; D26/121; 220/574,

FIG. 3 is a front elevation thereof;

220/575, 657, 506, 557; 206/564, 557; 229/938;

FIG. 4 is a left side elevation thereof;

211/14; 294/172; D9/456, 457, 499

FIG. 5 is right side elevation thereof;

See application file for complete search history.

FIG. 6 is a top plan view thereof;

(56) **References Cited**

FIG. 7 is a bottom plan view thereof;

U.S. PATENT DOCUMENTS

FIG. 8 is top perspective view thereof showing the design in an exploded condition; and,

D56,761 S * 12/1920 Miller D30/129

FIG. 9 is a front elevation thereof.

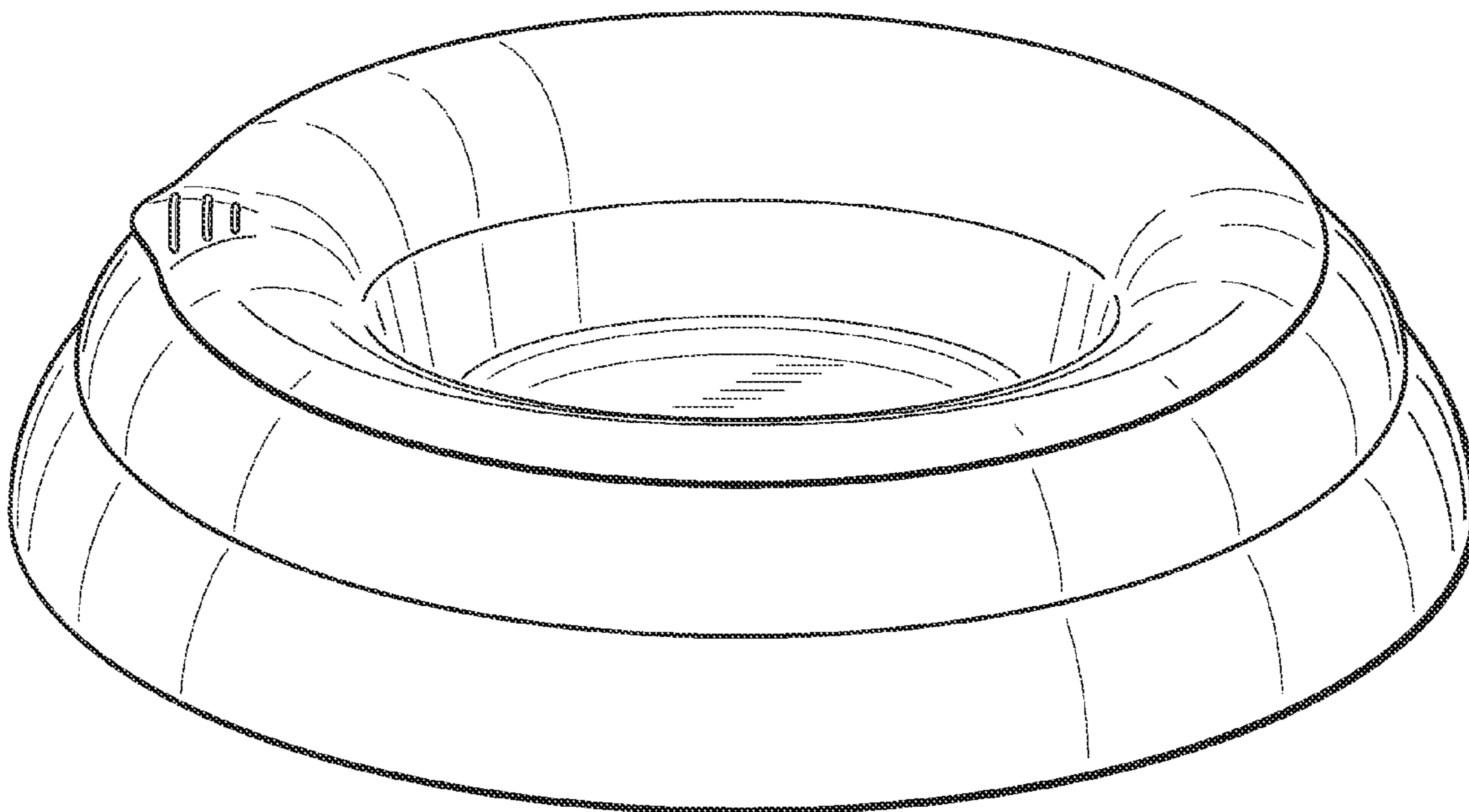
3,622,036 A * 11/1971 Bongaerts 220/574

The broken lines shown in the figure drawings are included for the purpose of illustrating environmental structure and form no part of the claimed design.

D287,772 S * 1/1987 Stewart D30/129

1 Claim, 6 Drawing Sheets

D424,757 S * 5/2000 Cooper et al. D30/129



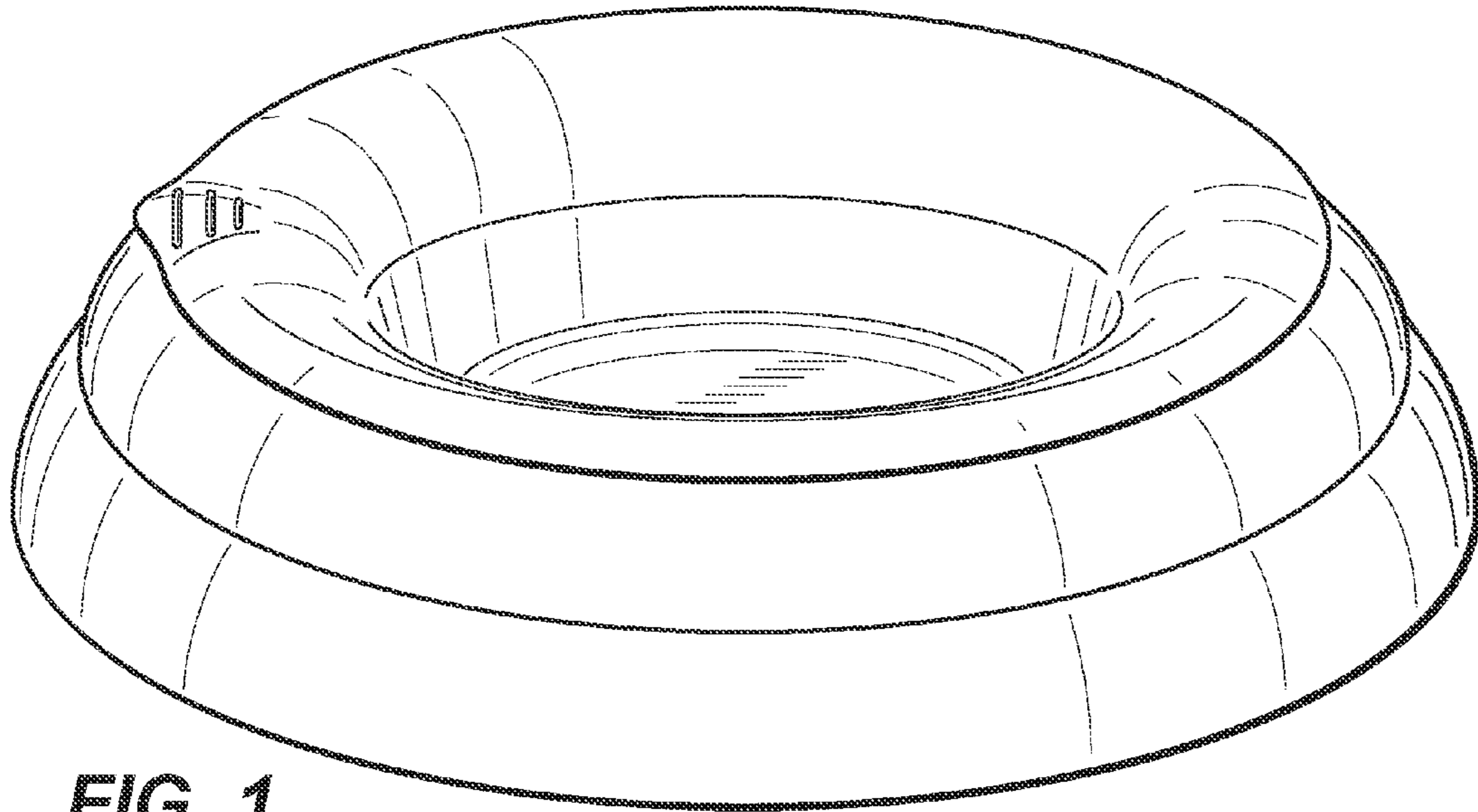


FIG. 1

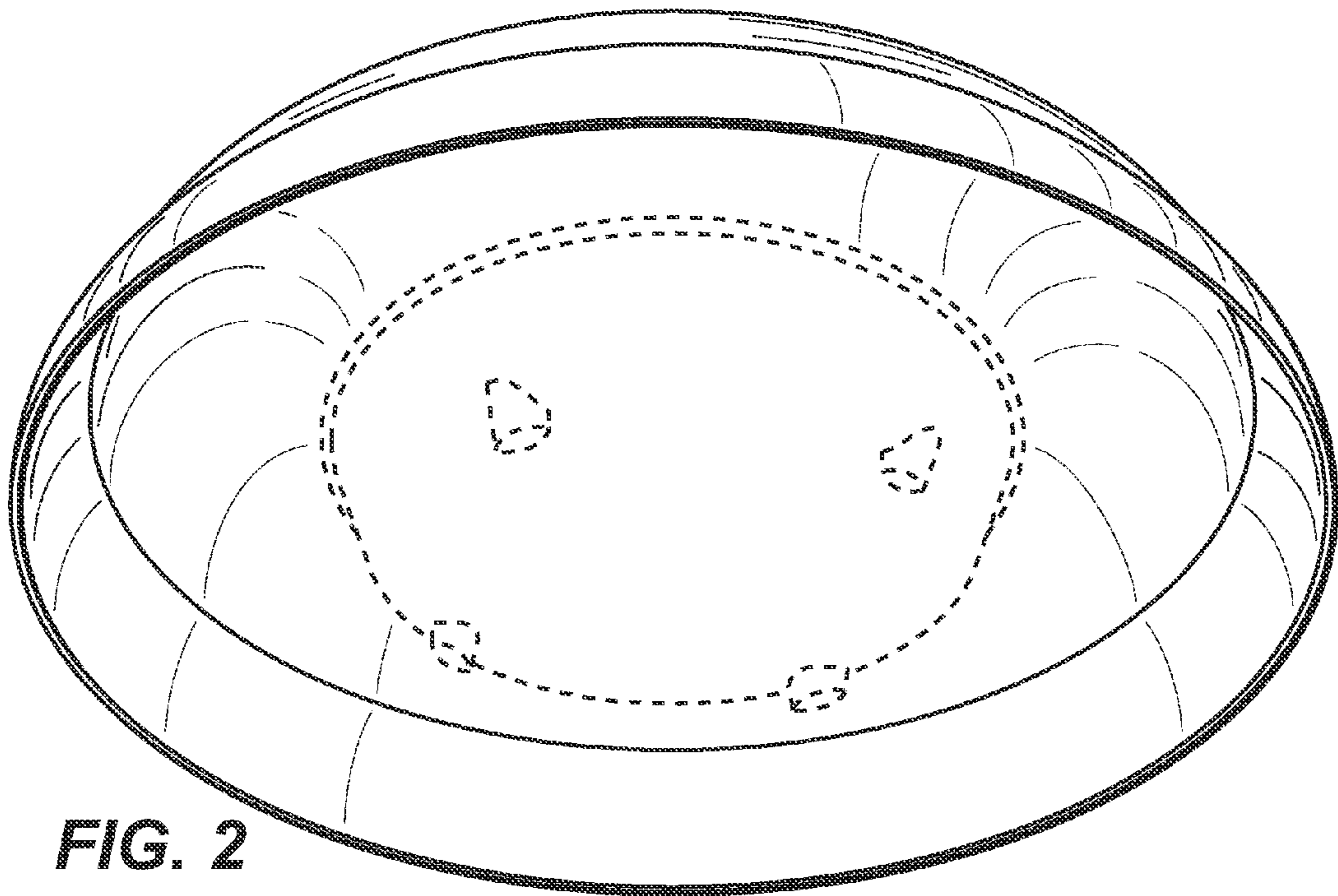


FIG. 2

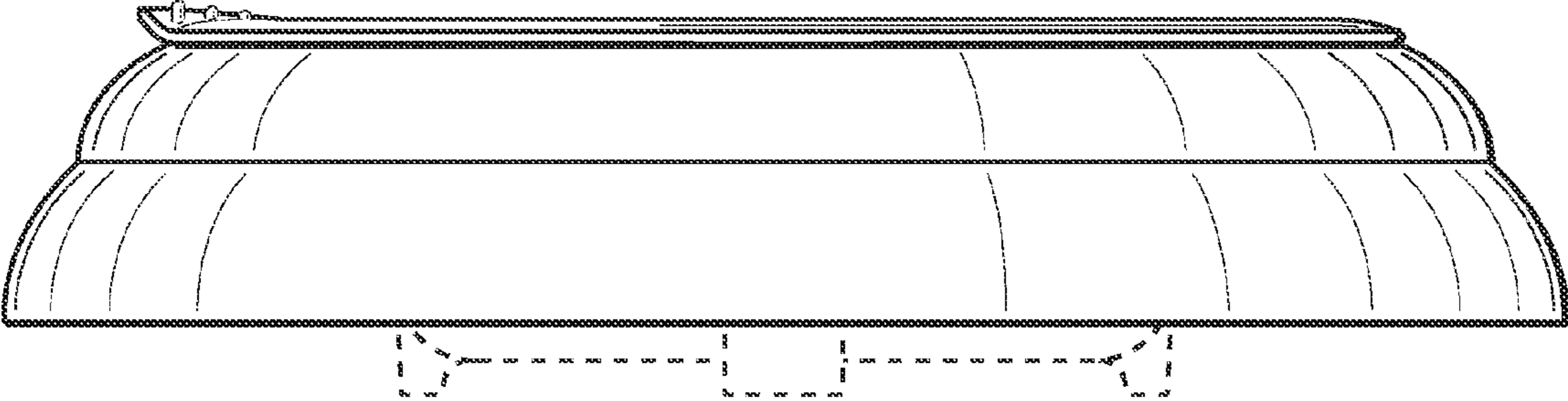


FIG. 3

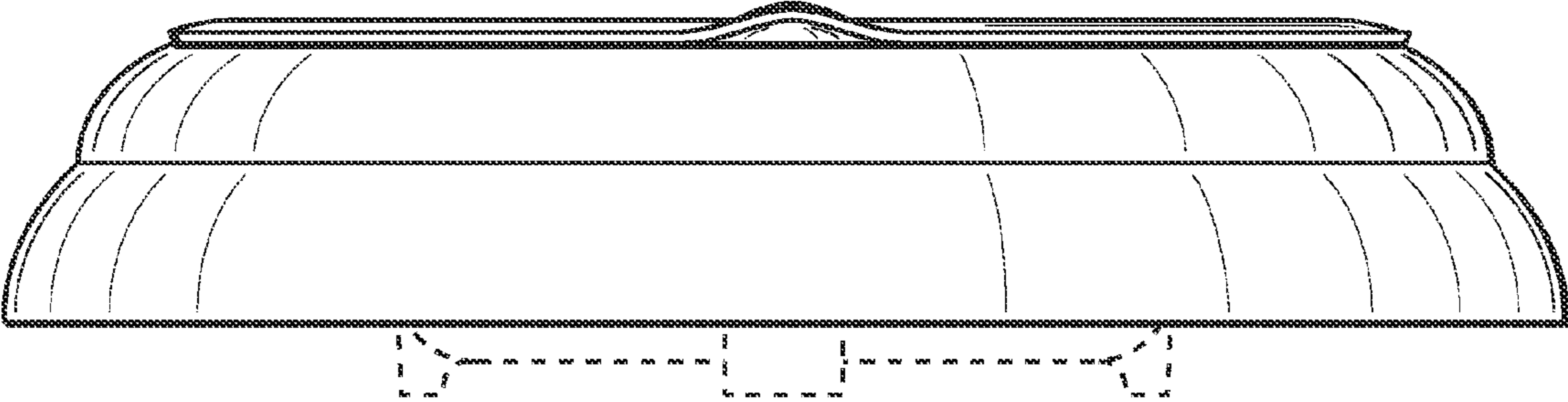


FIG. 4

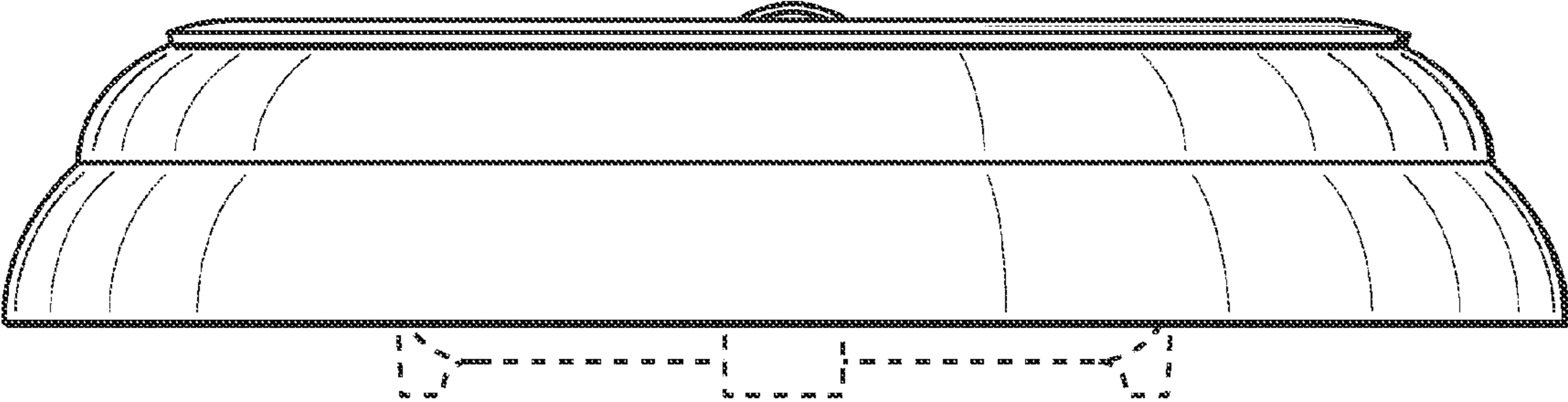


FIG. 5

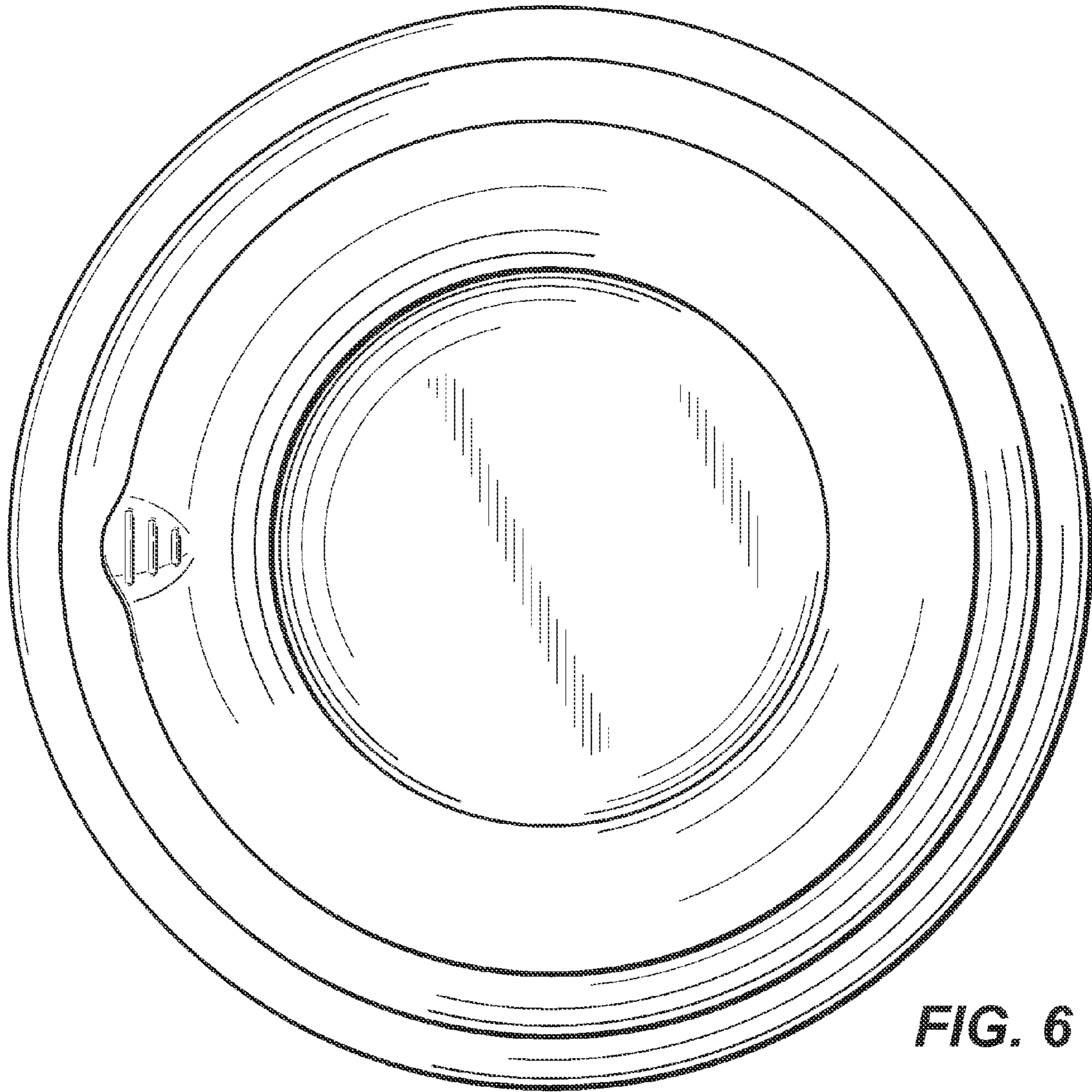


FIG. 6

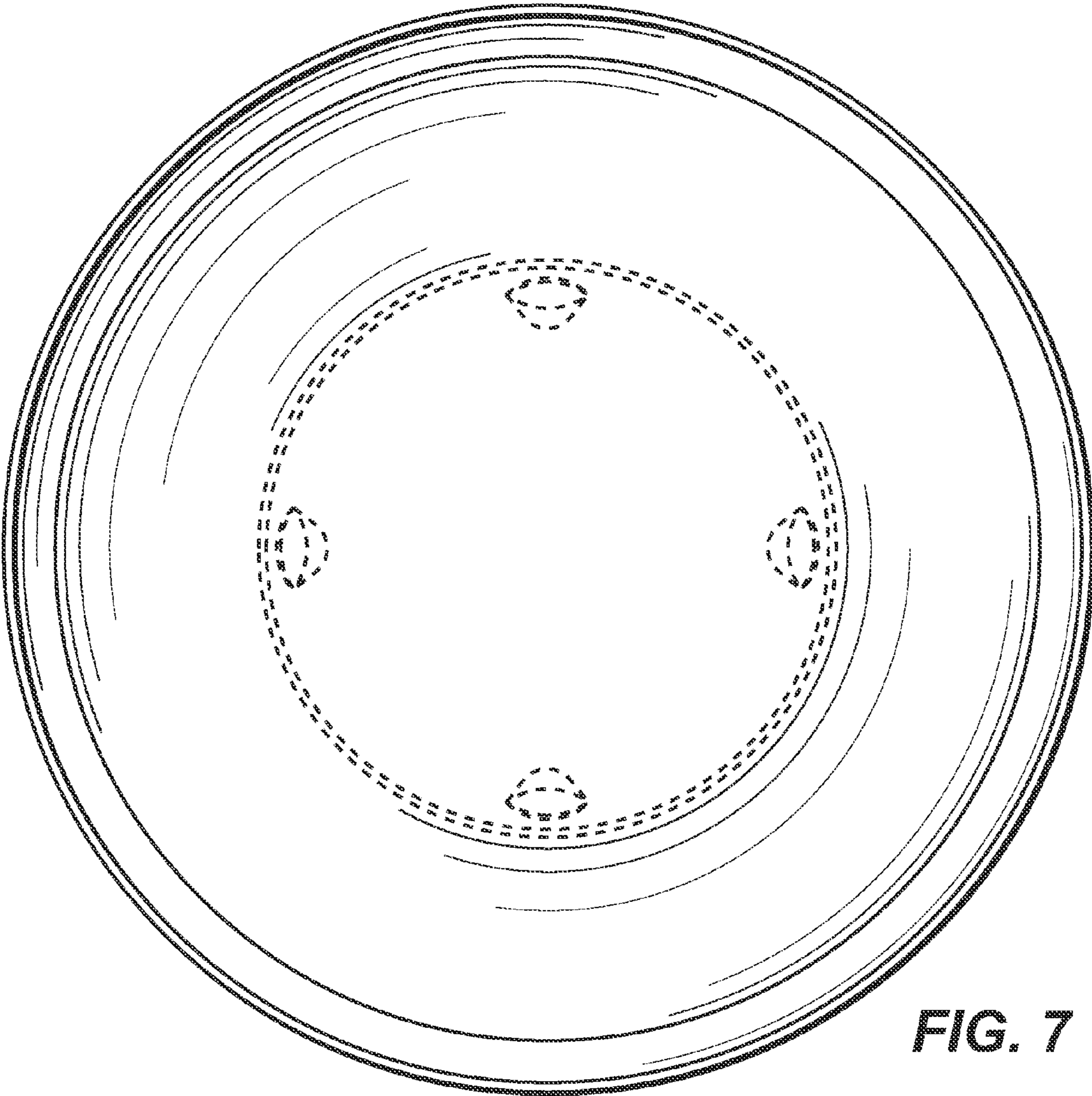


FIG. 7

