



US00D576447S

(12) **United States Design Patent**
Dreimann et al.

(10) **Patent No.:** **US D576,447 S**
(45) **Date of Patent:** **** Sep. 9, 2008**

(54) **GRILL SURFACE**

(75) Inventors: **Leonhard Dreimann**, Lake Forest, IL (US); **Guillaume Jean Since**, Kowloon (HK); **Bert Doormalen**, Kowloon (HK)

(73) Assignee: **Salton, Inc.**, Lake Forest, IL (US)

(**) Term: **14 Years**

(21) Appl. No.: **29/225,790**

(22) Filed: **Mar. 18, 2005**

(51) **LOC (8) Cl.** **07-02**

(52) **U.S. Cl.** **D7/409**

(58) **Field of Classification Search** D6/596;
D7/323, 352-361, 378, 386, 388, 409, 556;
D9/643; D11/48; D14/157, 223; D23/341;
D25/152-156; D28/7; D30/149; 5/695,
5/727, 722; 99/324, 402, 422, 427, 421 G,
99/421 R, 449-450; 220/573.1, 912; 229/4.5
See application file for complete search history.

(56) **References Cited**

U.S. PATENT DOCUMENTS

2,644,957	A *	7/1953	Shudde	5/695
D305,311	S *	1/1990	Roberts	D11/48
D337,483	S *	7/1993	Newton et al.	D7/409
D363,190	S *	10/1995	Brady	D7/386
D373,504	S *	9/1996	Leverrier	D7/378
D396,167	S *	7/1998	Cruz	D7/386
5,871,143	A *	2/1999	Nestler et al.	229/4.5
D410,008	S *	5/1999	Almqvist	D14/223
D411,933	S *	7/1999	Bernstein	D6/596
D417,033	S *	11/1999	Sachs et al.	D28/7
D417,815	S *	12/1999	Endres	D7/386

D424,365	S *	5/2000	To	D7/352
D433,595	S *	11/2000	Naft et al.	D7/386
D448,989	S *	10/2001	Davis	D9/643
D473,417	S *	4/2003	Martres	D7/352
6,581,229	B2 *	6/2003	Bernstein	5/722
D478,468	S *	8/2003	Holderfield et al.	D7/386
D483,228	S *	12/2003	Sherr	D7/556
D483,343	S *	12/2003	Seshita	D14/157
6,854,144	B1 *	2/2005	Mehring, Jr.	5/727
D503,869	S *	4/2005	Hei	D7/378
D504,277	S *	4/2005	Hei	D7/378
D528,708	S *	9/2006	Eustace	D30/149
D533,015	S *	12/2006	Brookshire et al.	D7/354
D538,473	S *	3/2007	Rhoades	D28/7
D538,910	S *	3/2007	Bucher et al.	D23/341

* cited by examiner

Primary Examiner—Caron D. Veynar

Assistant Examiner—Ricky Pham

(74) *Attorney, Agent, or Firm*—Baker Botts L.L.P.

(57) **CLAIM**

The ornamental design for a grill surface, as shown and described.

DESCRIPTION

FIG. 1 is a perspective view of a grill surface from the front side embodying our new design;

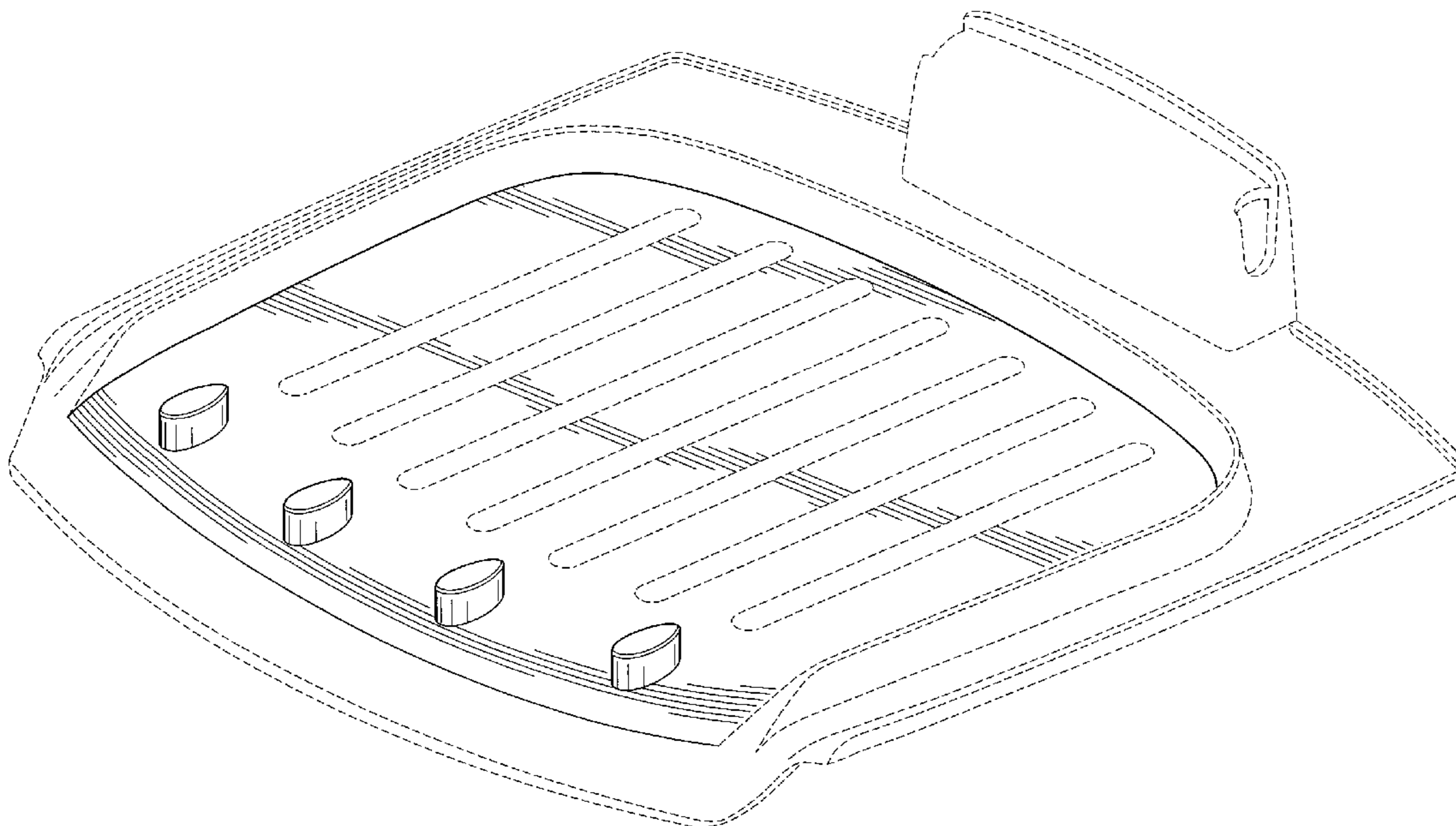
FIG. 2 is a top plan thereof;

FIG. 3 is a side elevational view thereof; and,

FIG. 4 is a front view thereof.

The broken lines shown in the drawings are for illustrative purposes only and form no part of the claimed design.

1 Claim, 3 Drawing Sheets



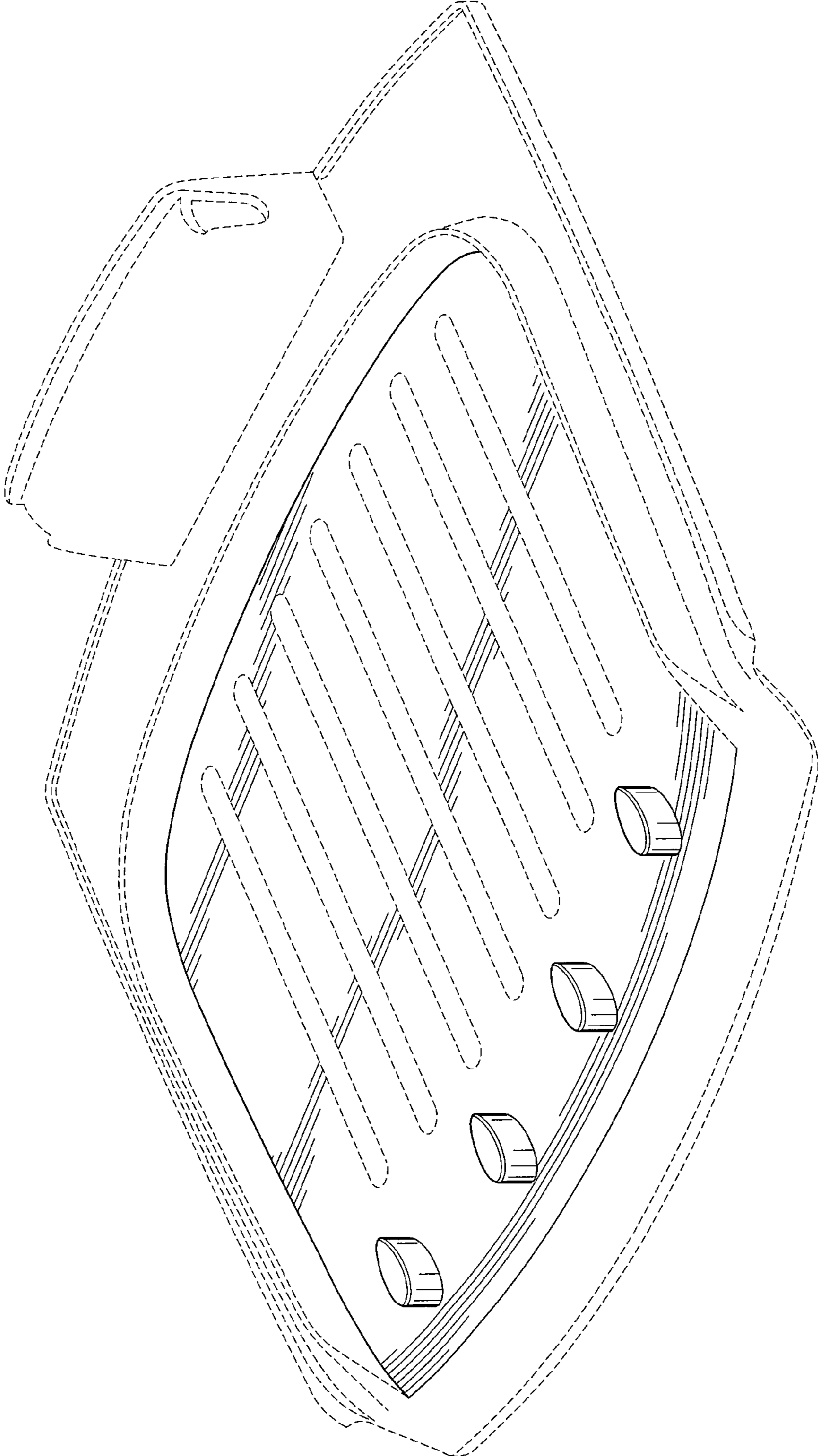


FIG. 1

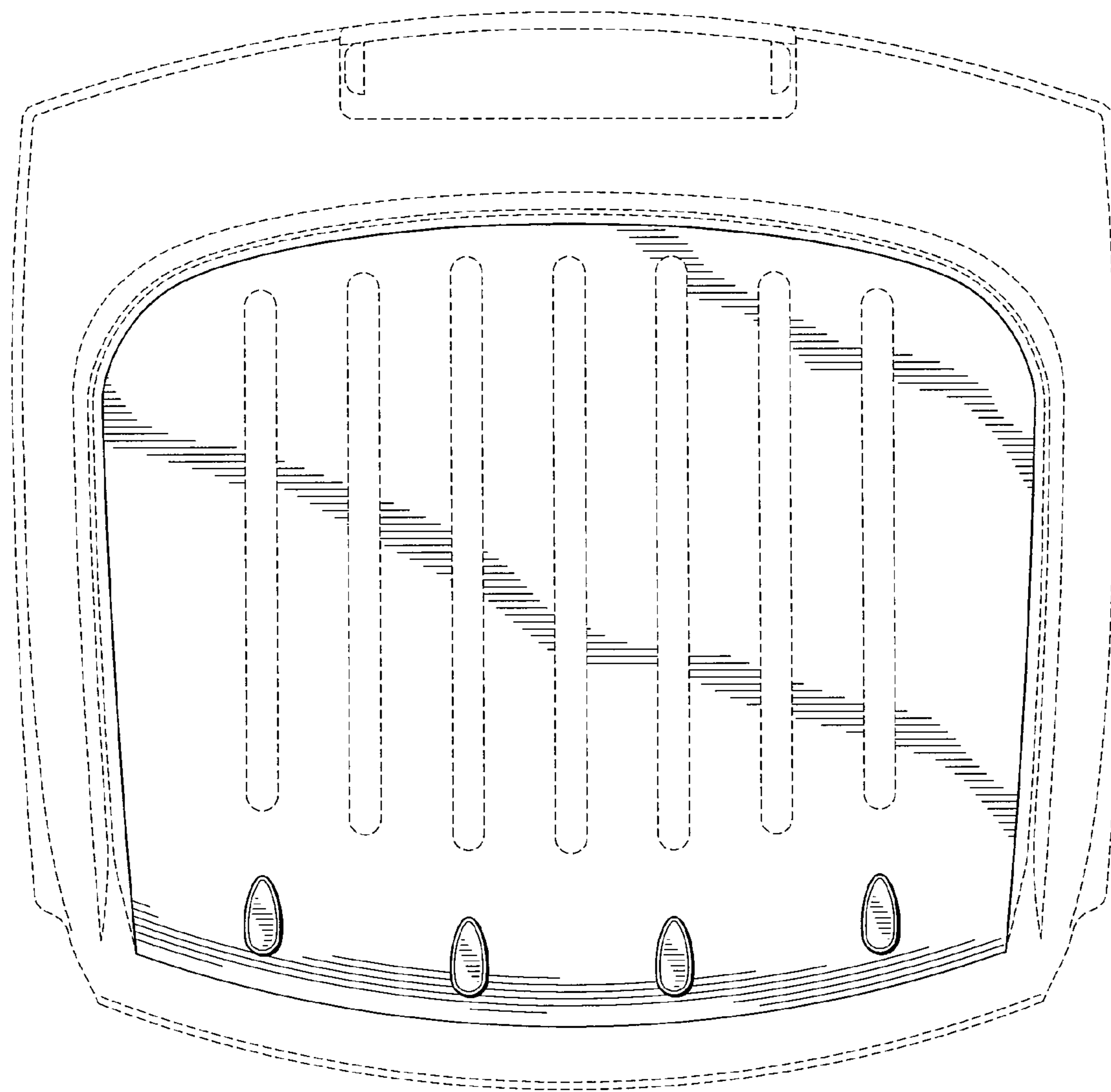


FIG. 2

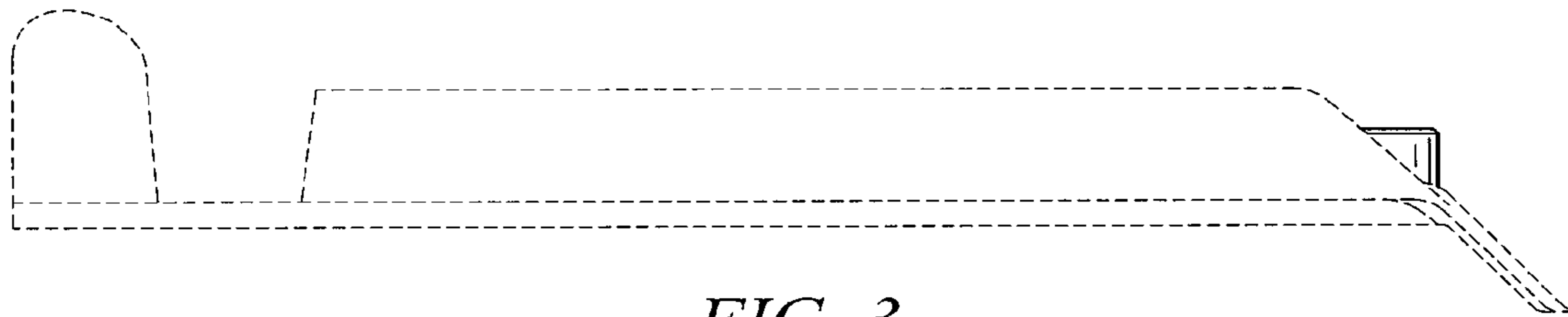


FIG. 3

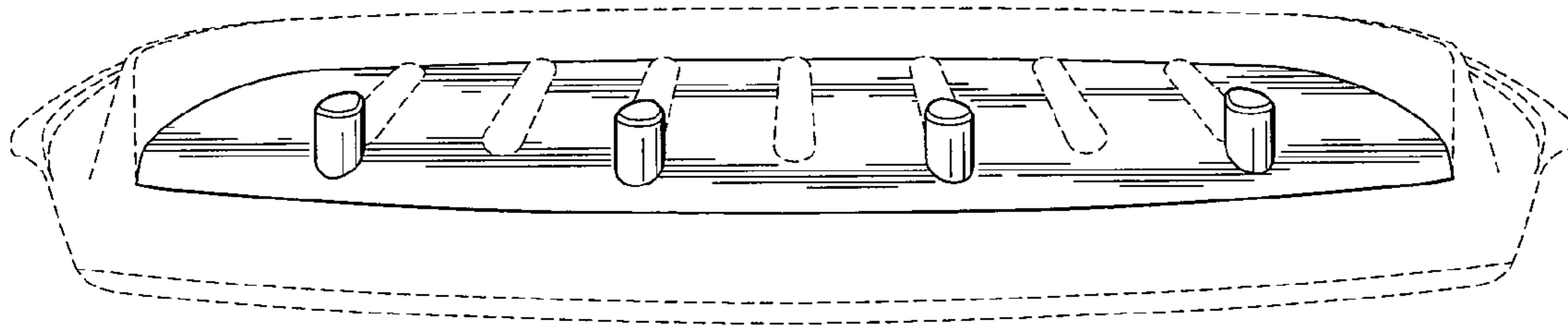


FIG. 4

UNITED STATES PATENT AND TRADEMARK OFFICE
CERTIFICATE OF CORRECTION

PATENT NO. : Des. 576,447 S
APPLICATION NO. : 29/225790
DATED : September 9, 2008
INVENTOR(S) : Leonhard Dreimann, Guillaume Jean Since and Bert Doornmalen

Page 1 of 1

It is certified that error appears in the above-identified patent and that said Letters Patent is hereby corrected as shown below:

Title page [75] Inventors: Please correct the name of the Third Inventor by deleting "**Bert Doormalen**" and replacing with --**Bert Doornmalen**--

Signed and Sealed this

Eighteenth Day of November, 2008

A handwritten signature in black ink that reads "Jon W. Dudas". The signature is written in a cursive style with a large, looped initial "J".

JON W. DUDAS

Director of the United States Patent and Trademark Office