



US00D576443S

(12) **United States Design Patent**
Chung

(10) **Patent No.:** **US D576,443 S**

(45) **Date of Patent:** **** Sep. 9, 2008**

(54) **BARBECUE GRILL**

(76) Inventor: **Kiosky Chung**, No. 72, Chaoguei Rd.,
Situn District, Taichung City 407 (TW)

(**) Term: **14 Years**

(21) Appl. No.: **29/299,611**

(22) Filed: **Dec. 30, 2007**

(51) **LOC (8) Cl.** **07-02**

(52) **U.S. Cl.** **D7/337**

(58) **Field of Classification Search** D7/332-337,
D7/402-405; 99/425, 447, 450; 126/25 R,
126/29-30, 25 A, 25 AA, 9 R, 9 B, 8, 38,
126/41 R, 40, 50, 506, 144, 211, 304 R, 305 R;
248/188.7, 165, 121, 431
See application file for complete search history.

(56) **References Cited**

U.S. PATENT DOCUMENTS

D216,233 S *	12/1969	Gruver et al.	D7/337
D227,850 S *	7/1973	Benson	D7/337
D231,183 S *	4/1974	Avant et al.	D7/337
D245,220 S *	8/1977	Chan	D7/337
D251,894 S *	5/1979	Chan	D7/337

D291,399 S *	8/1987	Chan	D7/337
D450,976 S *	11/2001	Mosher	D7/337
D469,298 S *	1/2003	Hinton et al.	D7/332
D520,805 S *	5/2006	Wright	D7/337

* cited by examiner

Primary Examiner—Ruth McInroy

(74) *Attorney, Agent, or Firm*—Banger Shia

(57) **CLAIM**

I claim the ornamental design for a barbecue grill, as shown and described.

DESCRIPTION

FIG. 1 is a perspective view of a barbecue grill, showing my new design;

FIG. 2 is a front elevational view thereof;

FIG. 3 is a rear elevational view thereof;

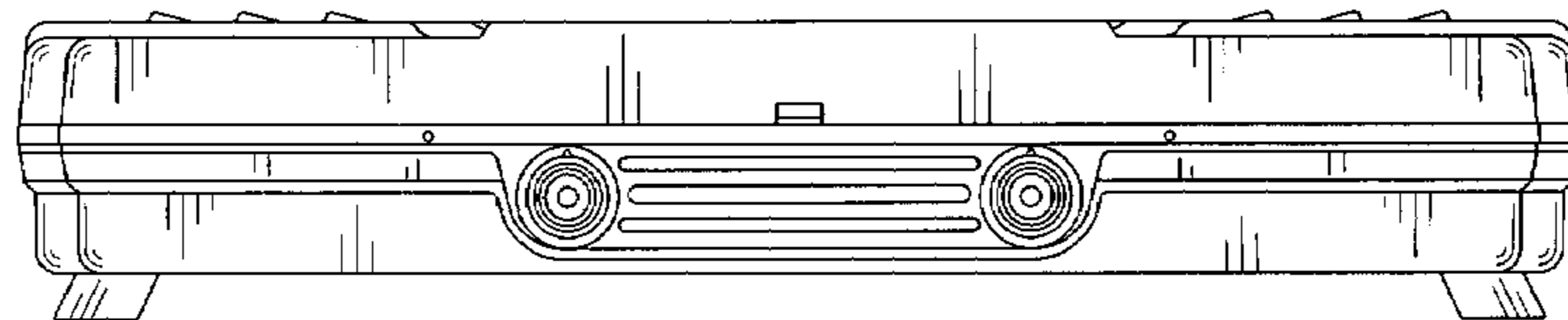
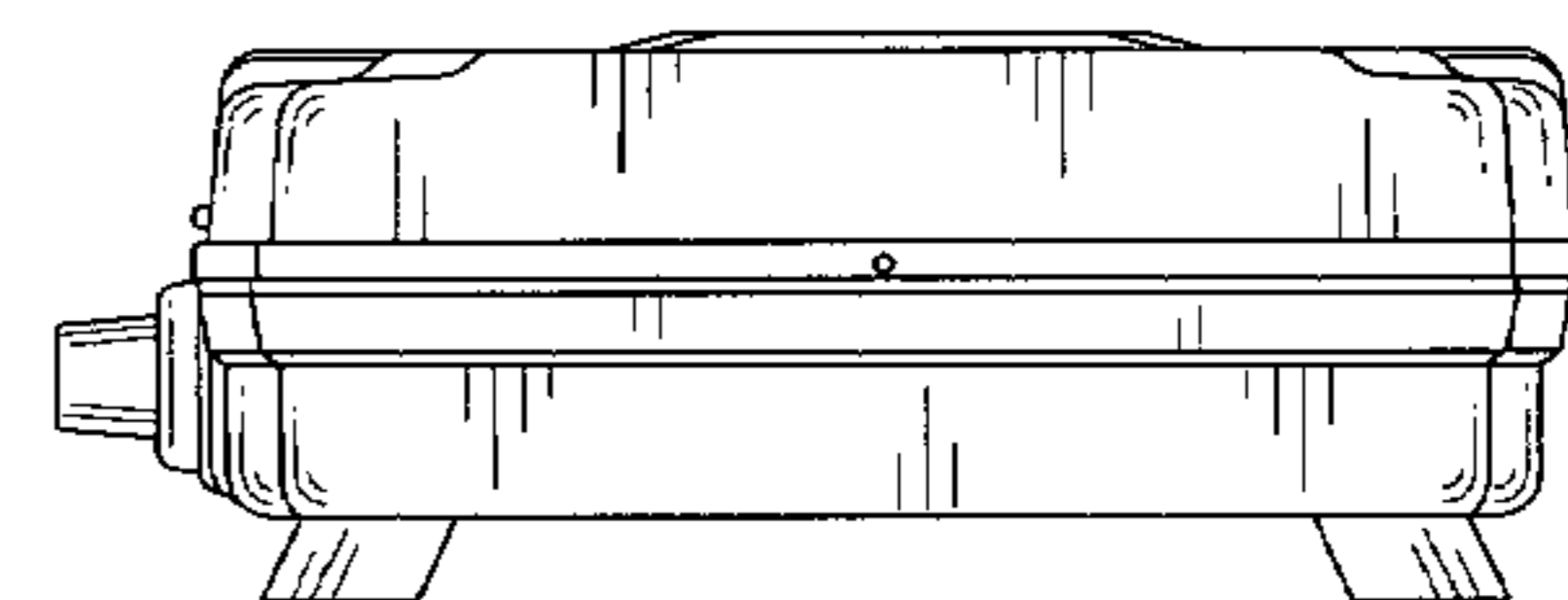
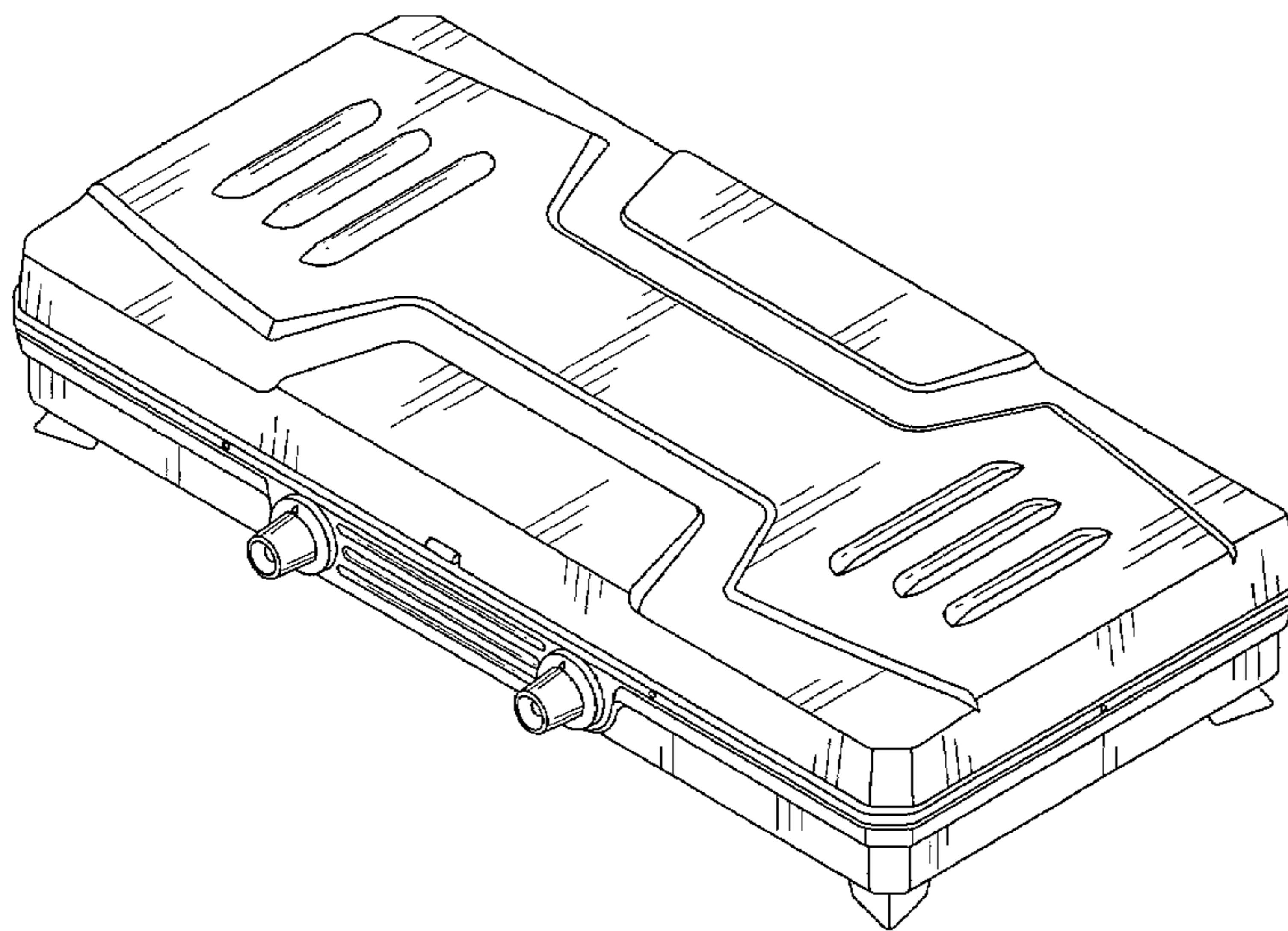
FIG. 4 is a left side elevational view thereof;

FIG. 5 is a right side elevational view thereof;

FIG. 6 is a top plan view thereof; and,

FIG. 7 is a bottom plan view thereof.

1 Claim, 7 Drawing Sheets



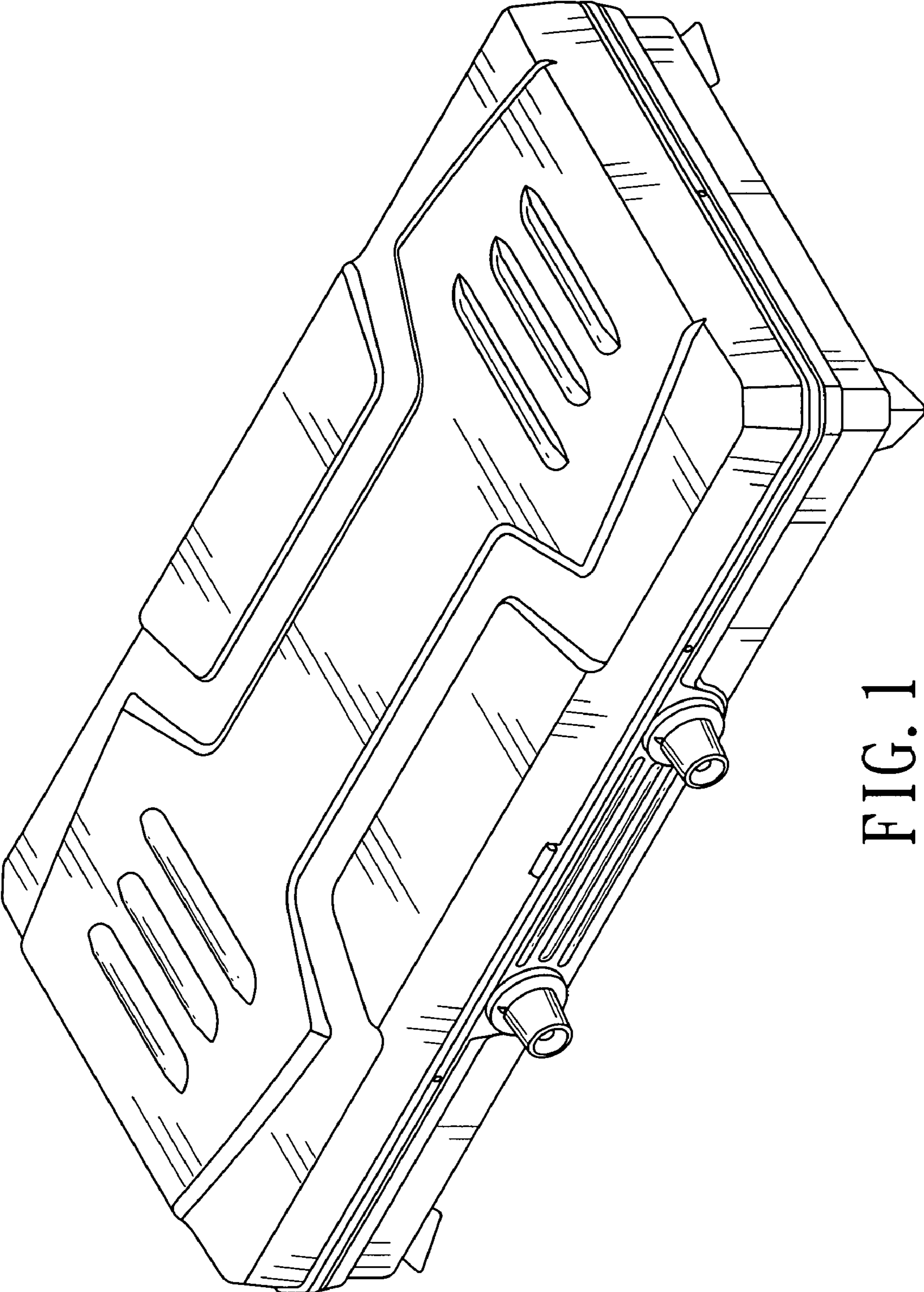


FIG. 1

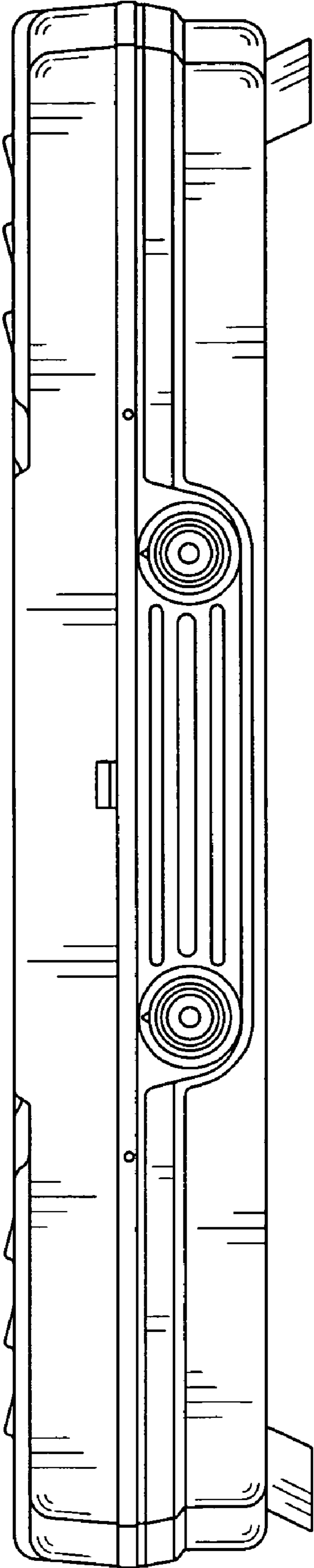


FIG. 2

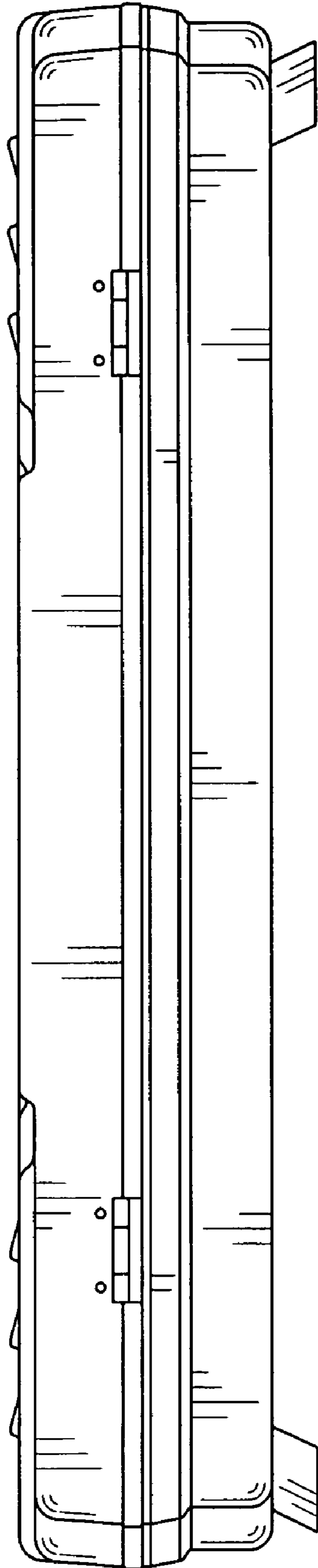


FIG. 3

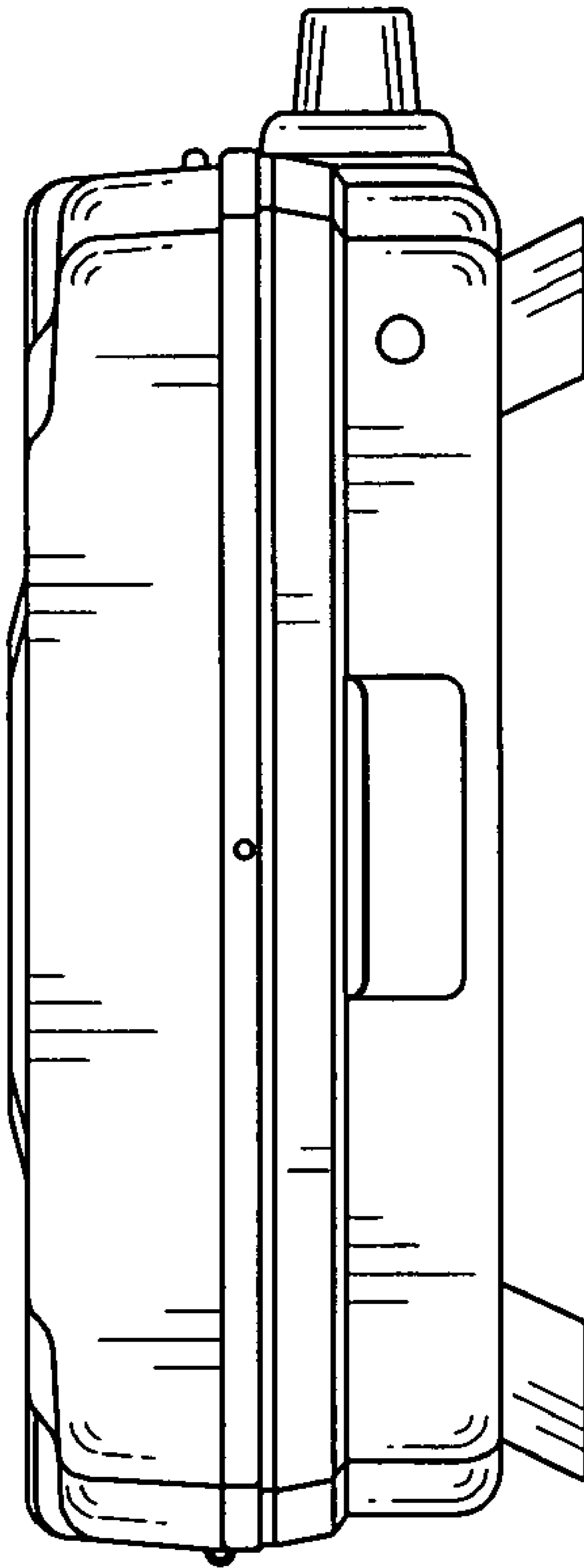


FIG. 4

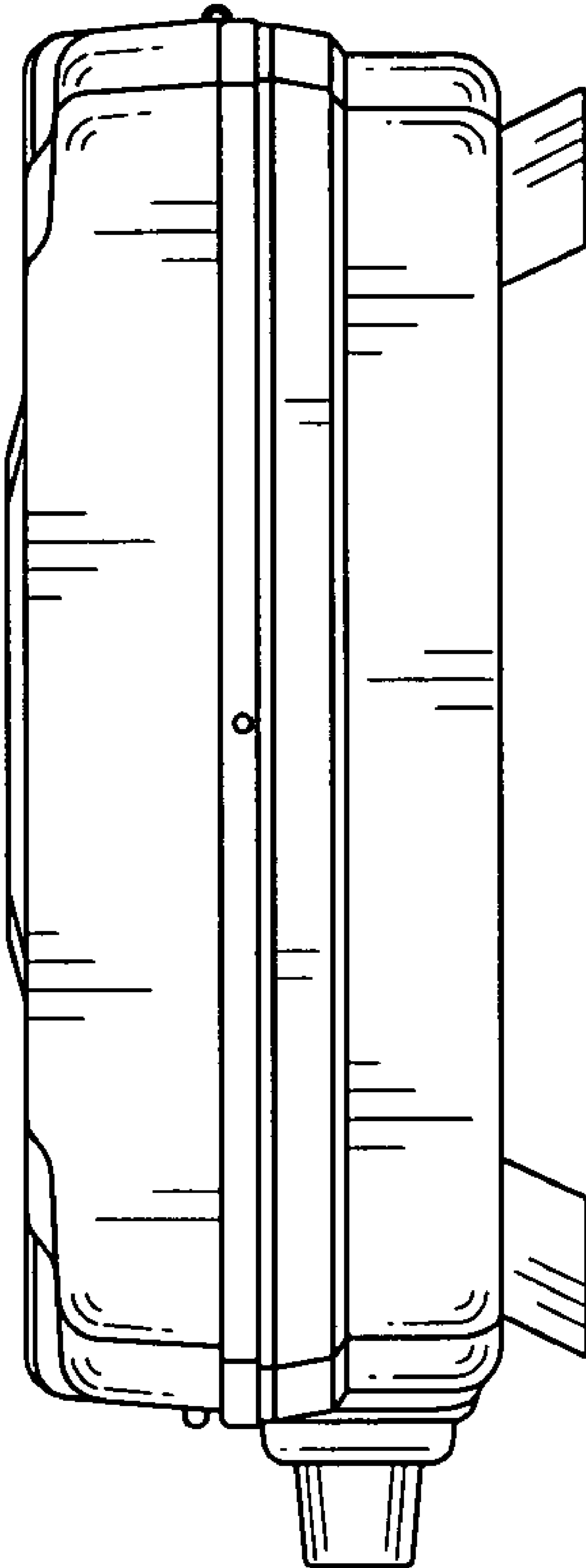


FIG. 5

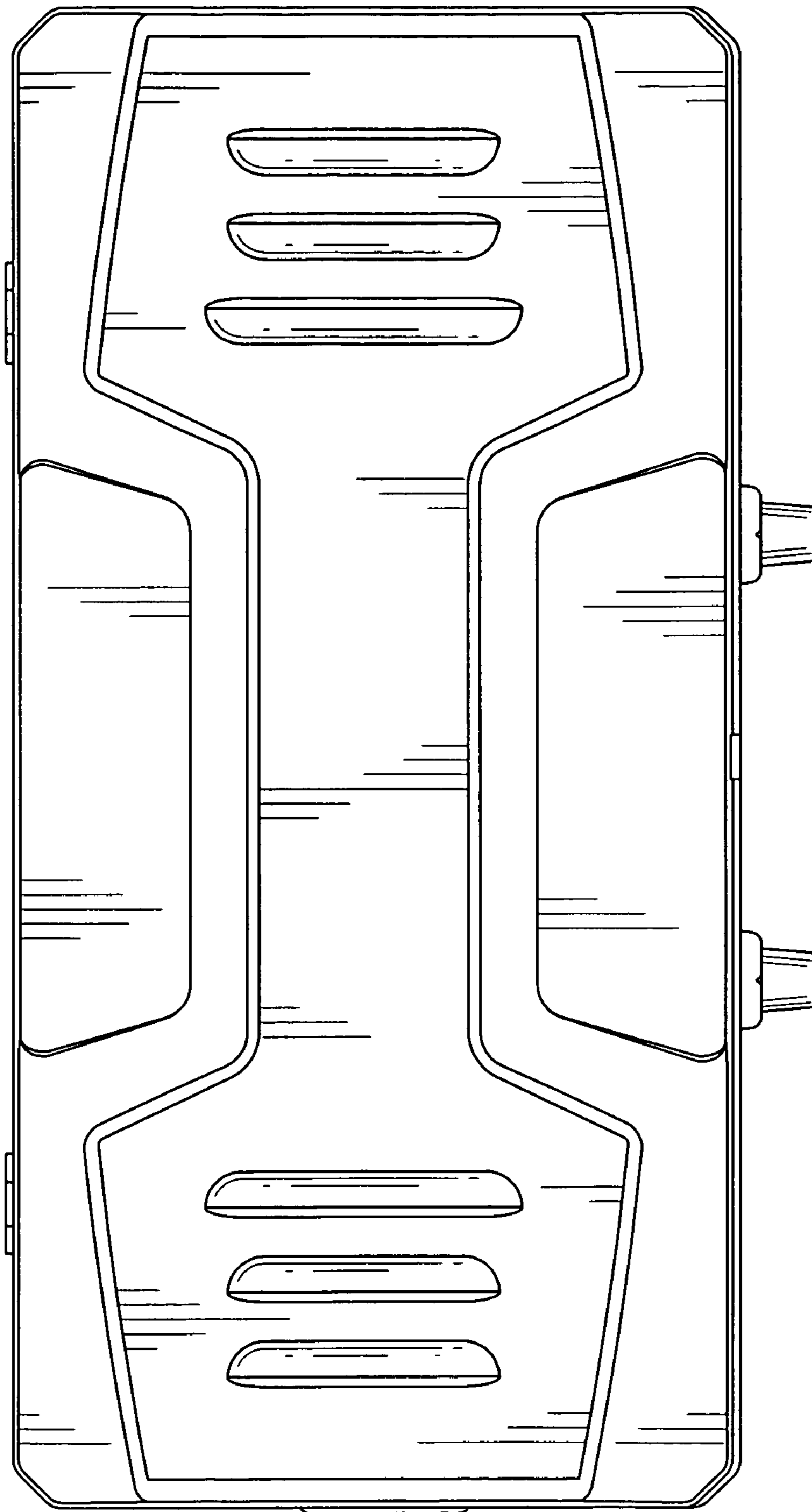


FIG. 6

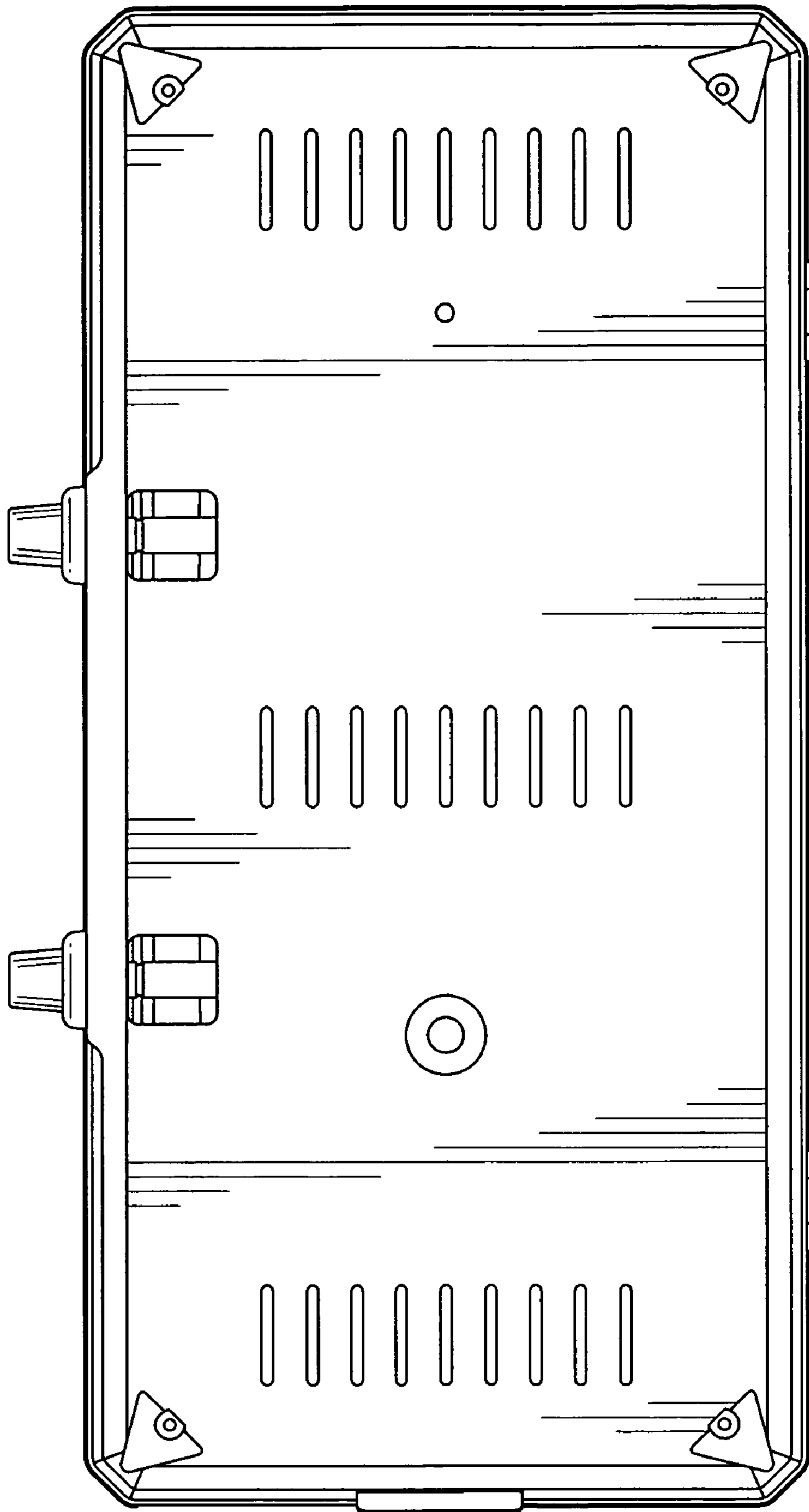


FIG. 7