



US00D576442S

(12) **United States Design Patent**  
**Chung**

(10) **Patent No.:** **US D576,442 S**

(45) **Date of Patent:** **\*\* Sep. 9, 2008**

(54) **BARBECUE GRILL**

D549,036 S \* 8/2007 Chung ..... D7/337  
D549,038 S \* 8/2007 Chung ..... D7/337

(76) Inventor: **Kiosky Chung**, No. 72, Chaoguei Rd.,  
Situn District, Taichung City 407 (TW)

\* cited by examiner

(\*\*) Term: **14 Years**

*Primary Examiner*—Ruth McInroy  
(74) *Attorney, Agent, or Firm*—Banger Shia

(21) Appl. No.: **29/299,610**

(57) **CLAIM**

(22) Filed: **Dec. 30, 2007**

I claim the ornamental design for a barbecue grill, as shown and described.

(51) **LOC (8) Cl.** ..... **07-02**

(52) **U.S. Cl.** ..... **D7/337**

(58) **Field of Classification Search** ..... D7/332–337,  
D7/402–405; 99/425, 447, 450; 126/25 R,  
126/29–30, 25 A, 25 AA, 9 R, 9 B, 8, 38,  
126/41 R, 40, 50, 506, 144, 211, 304 R, 305 R;  
248/188.7, 165, 121, 431

See application file for complete search history.

**DESCRIPTION**

FIG. 1 is a perspective view of a barbecue grill, showing my new design;

FIG. 2 is a front elevational view thereof;

FIG. 3 is a rear elevational view thereof;

FIG. 4 is a left side elevational view thereof;

FIG. 5 is a right side elevational view thereof;

FIG. 6 is a top plan view thereof; and,

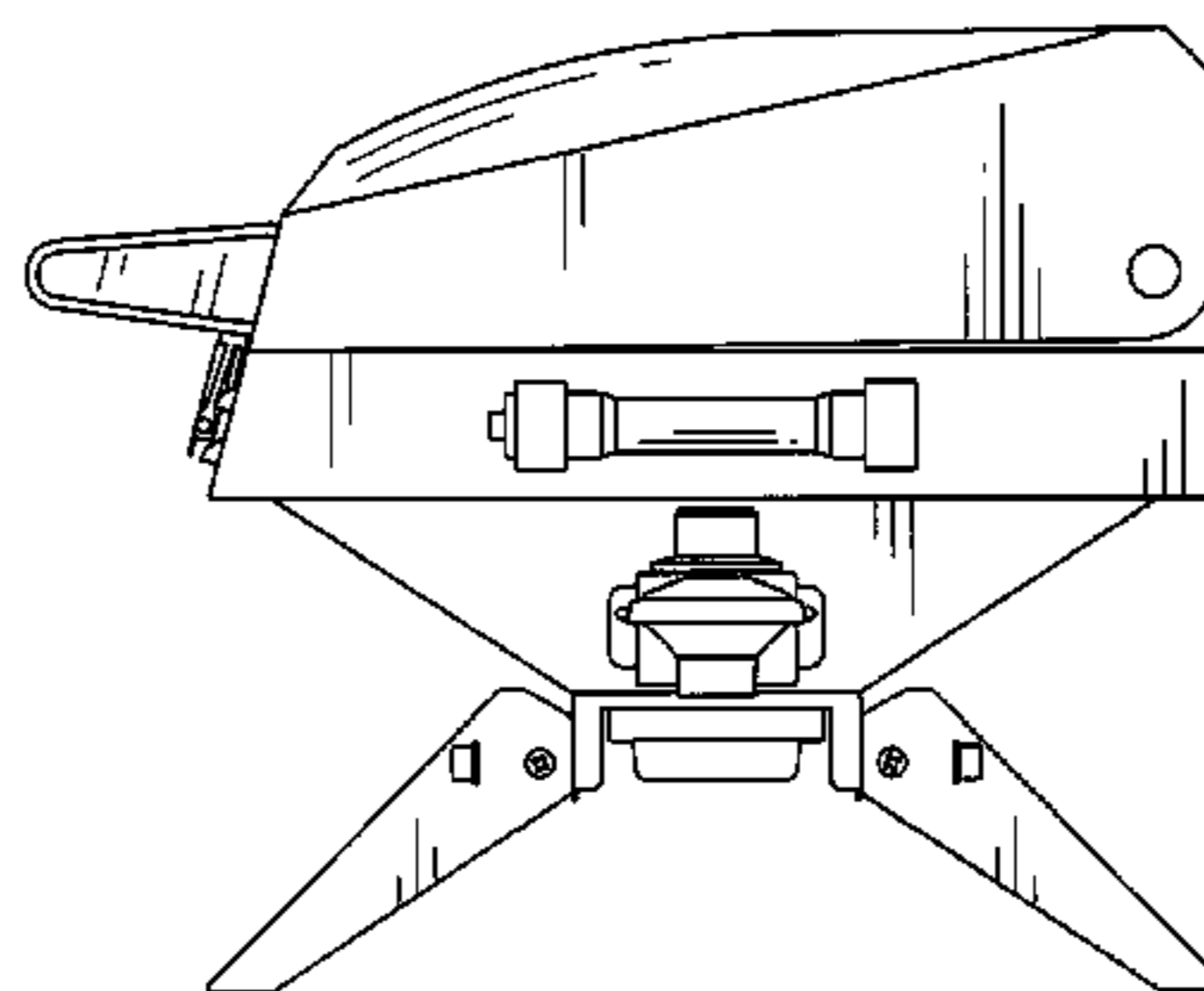
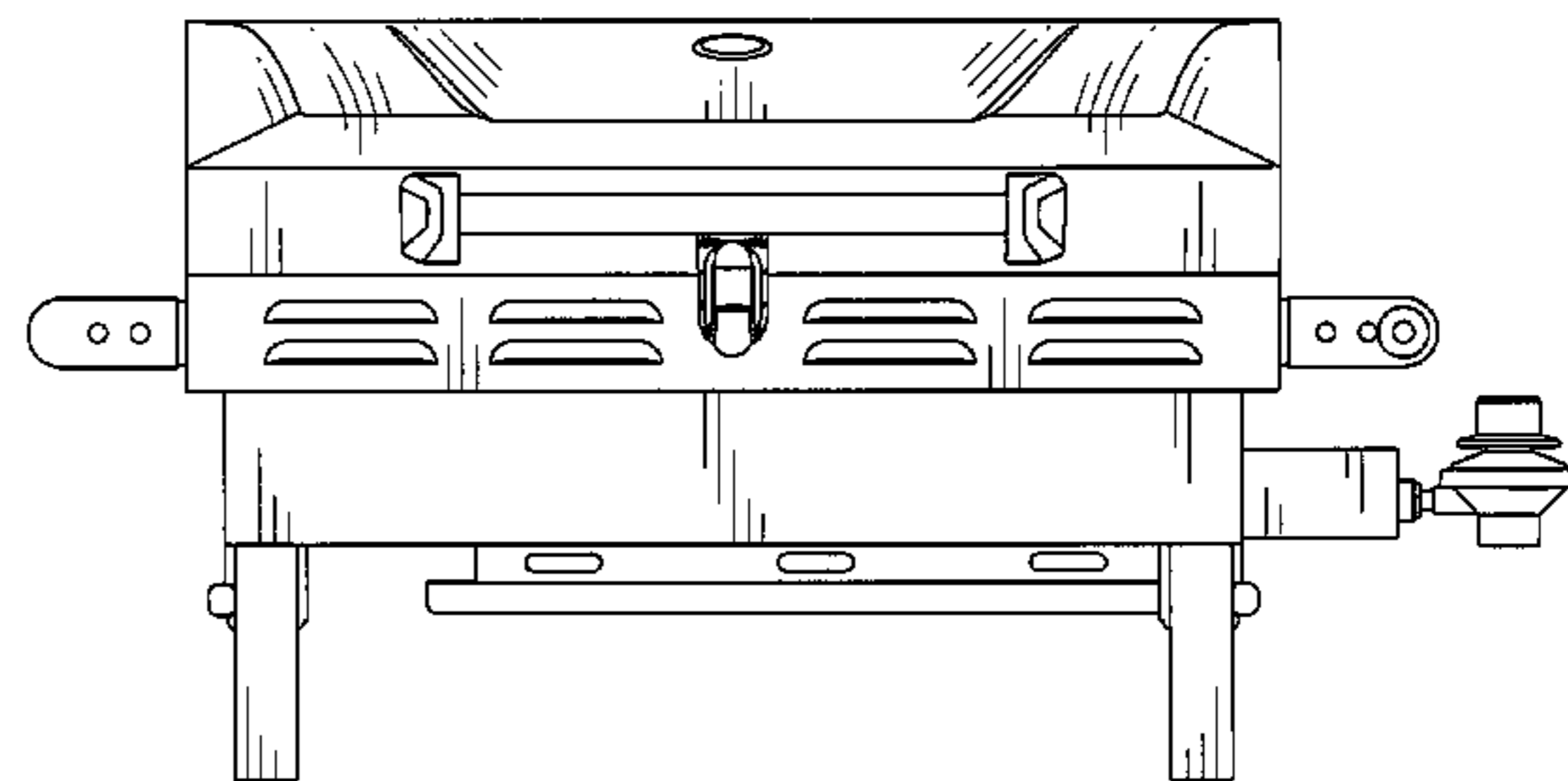
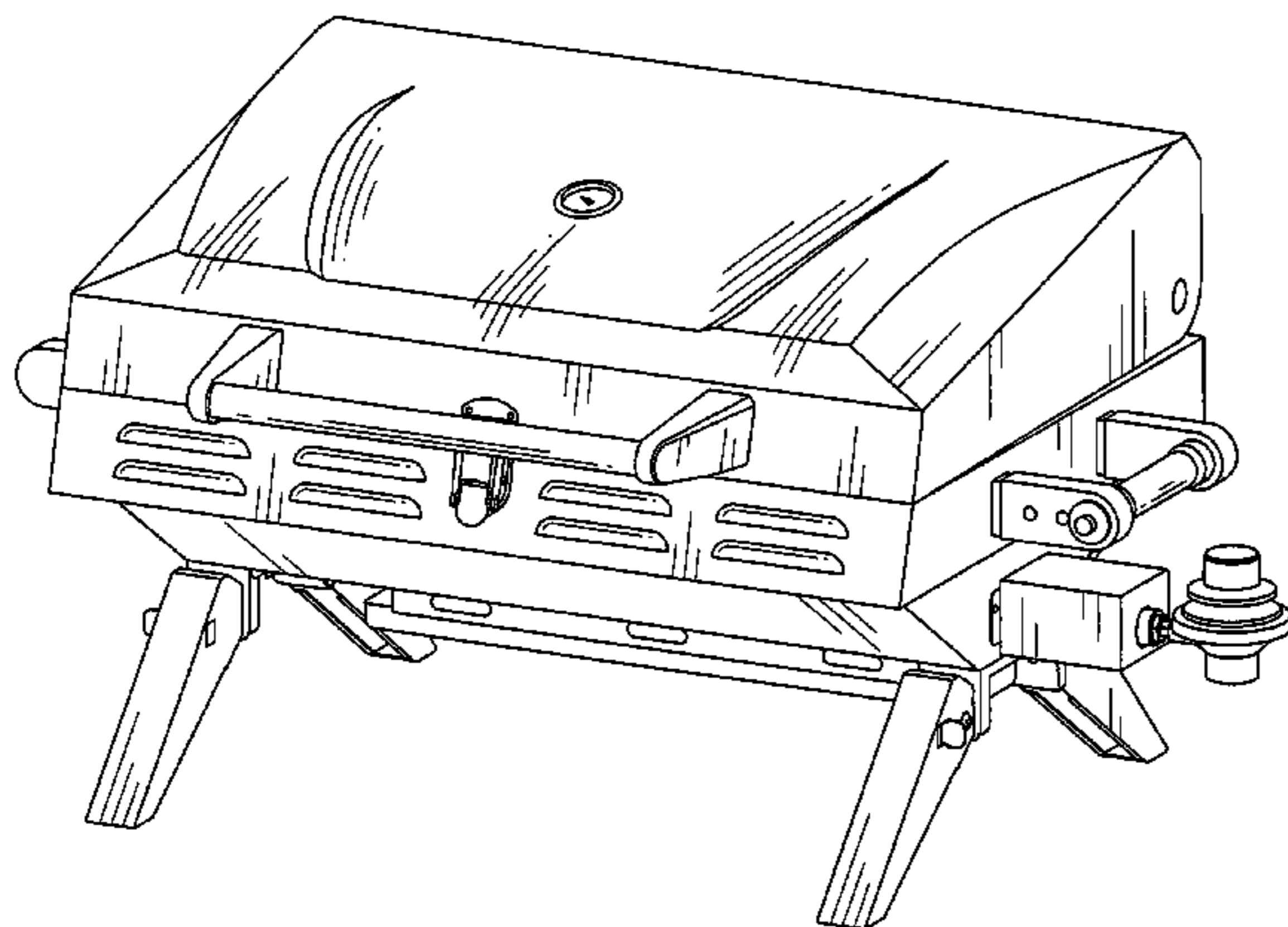
FIG. 7 is a bottom plan view thereof.

(56) **References Cited**

**U.S. PATENT DOCUMENTS**

D511,433 S \* 11/2005 Zhang ..... D7/337  
D516,368 S \* 3/2006 Zhang ..... D7/337  
D525,819 S \* 8/2006 Chung ..... D7/337

**1 Claim, 7 Drawing Sheets**



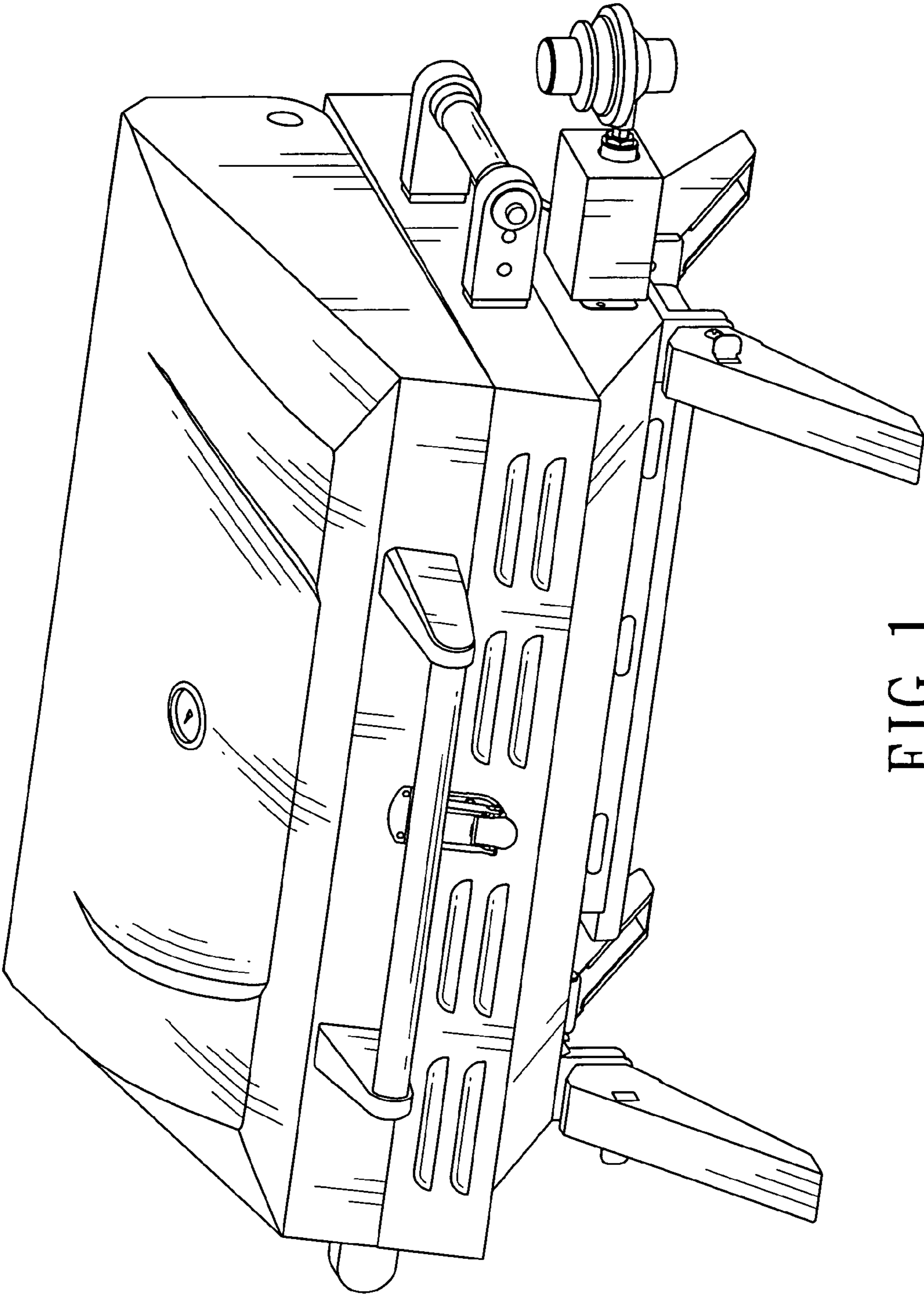


FIG. 1

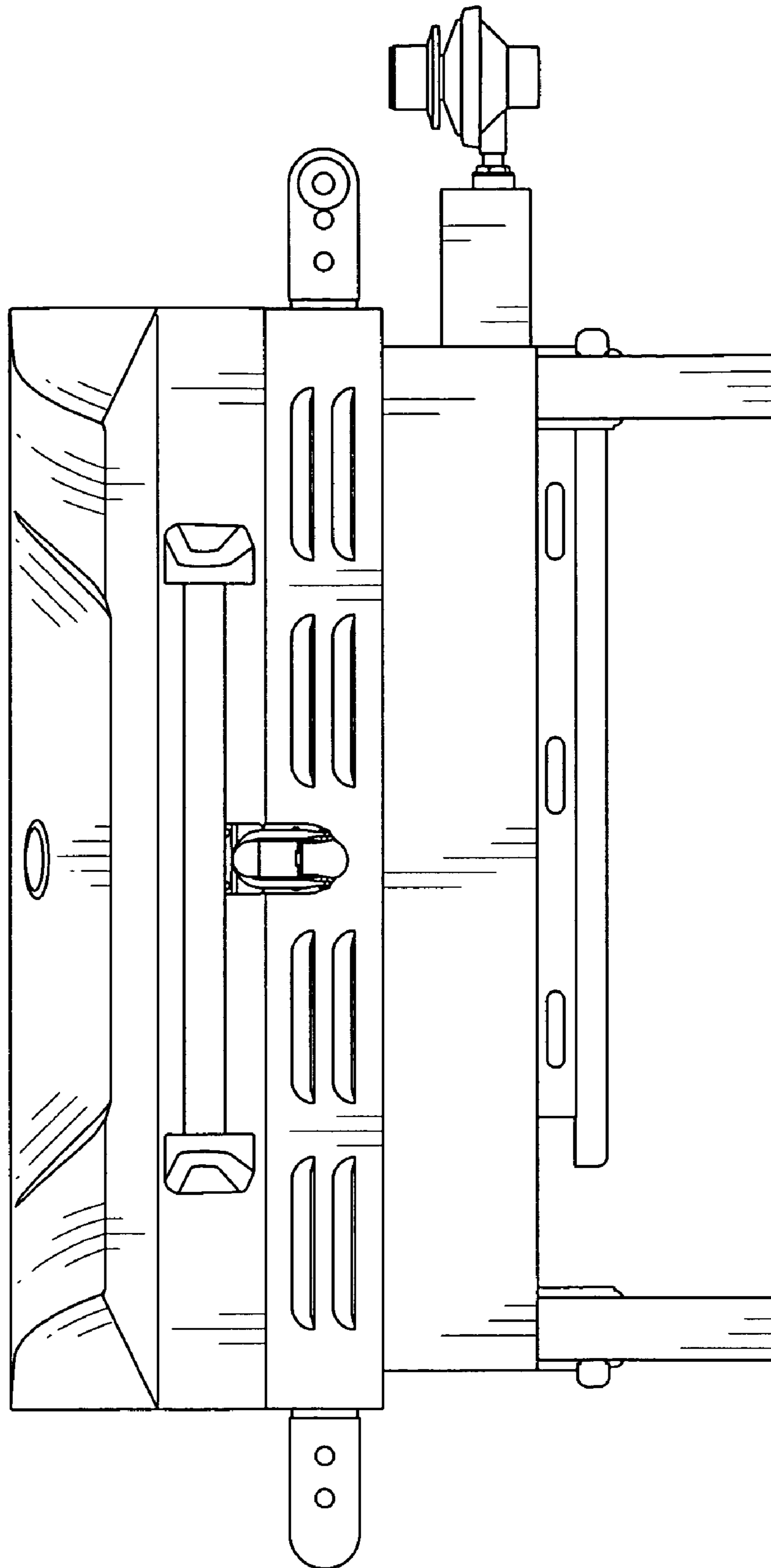


FIG. 2

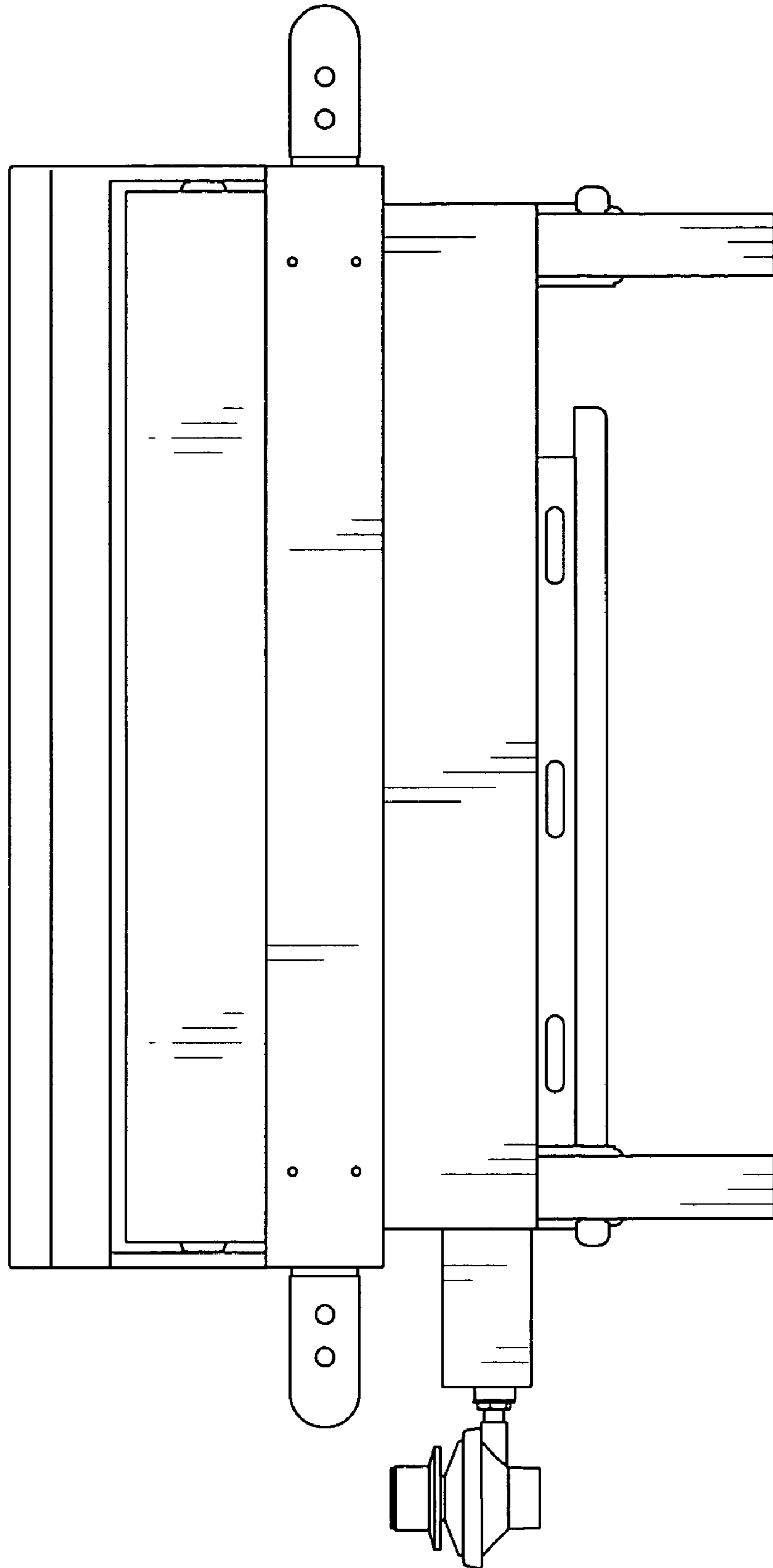


FIG. 3

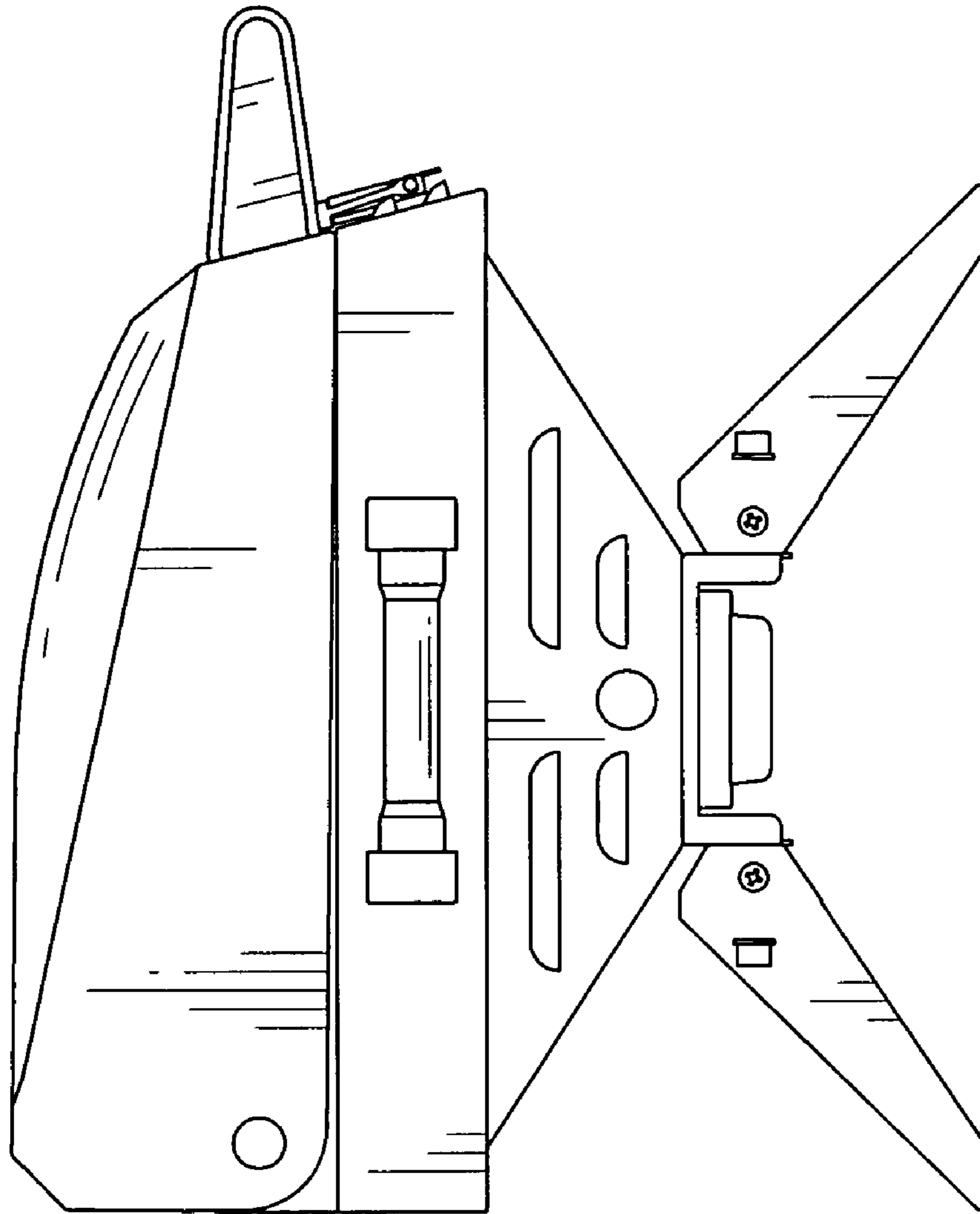


FIG. 4

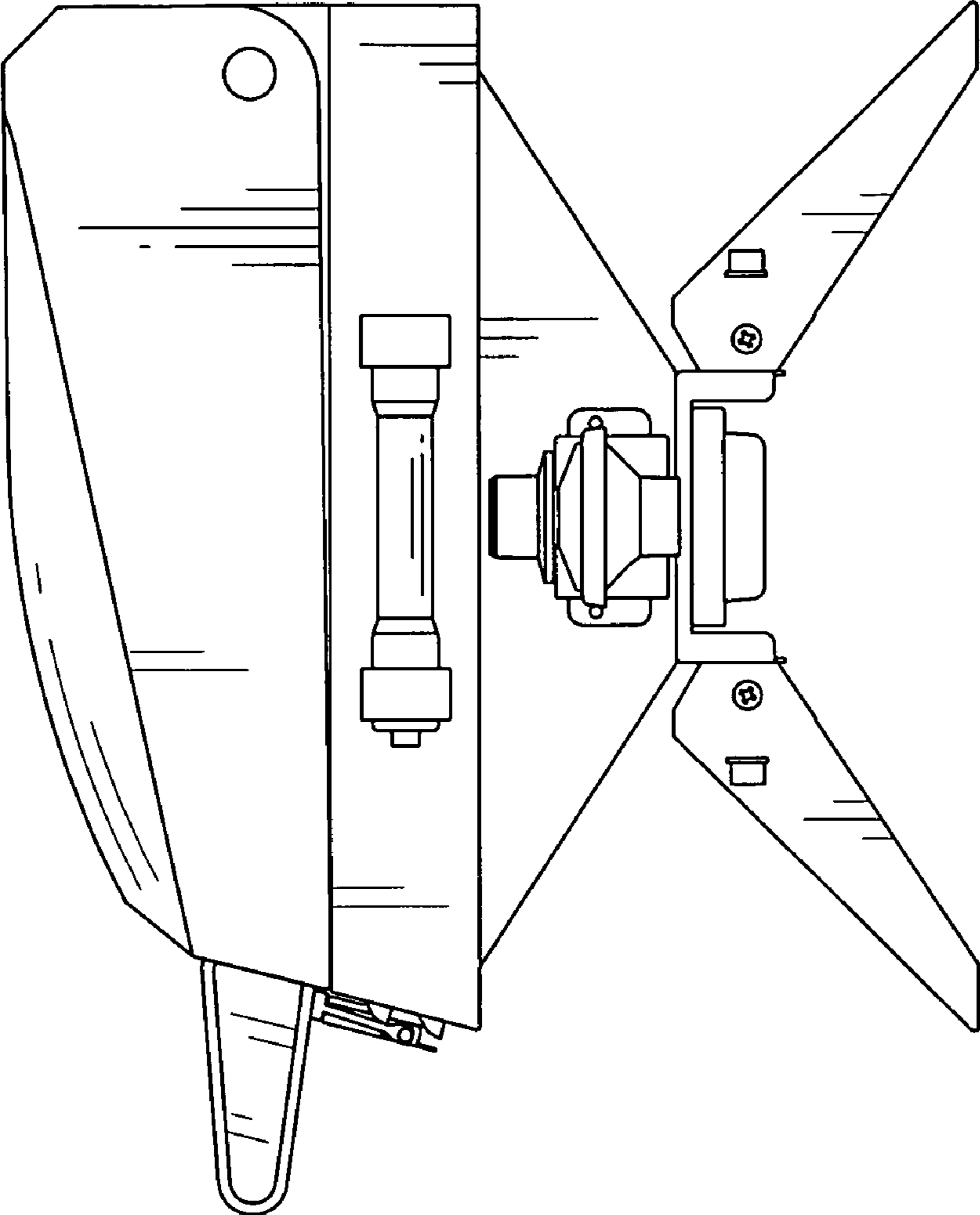


FIG. 5

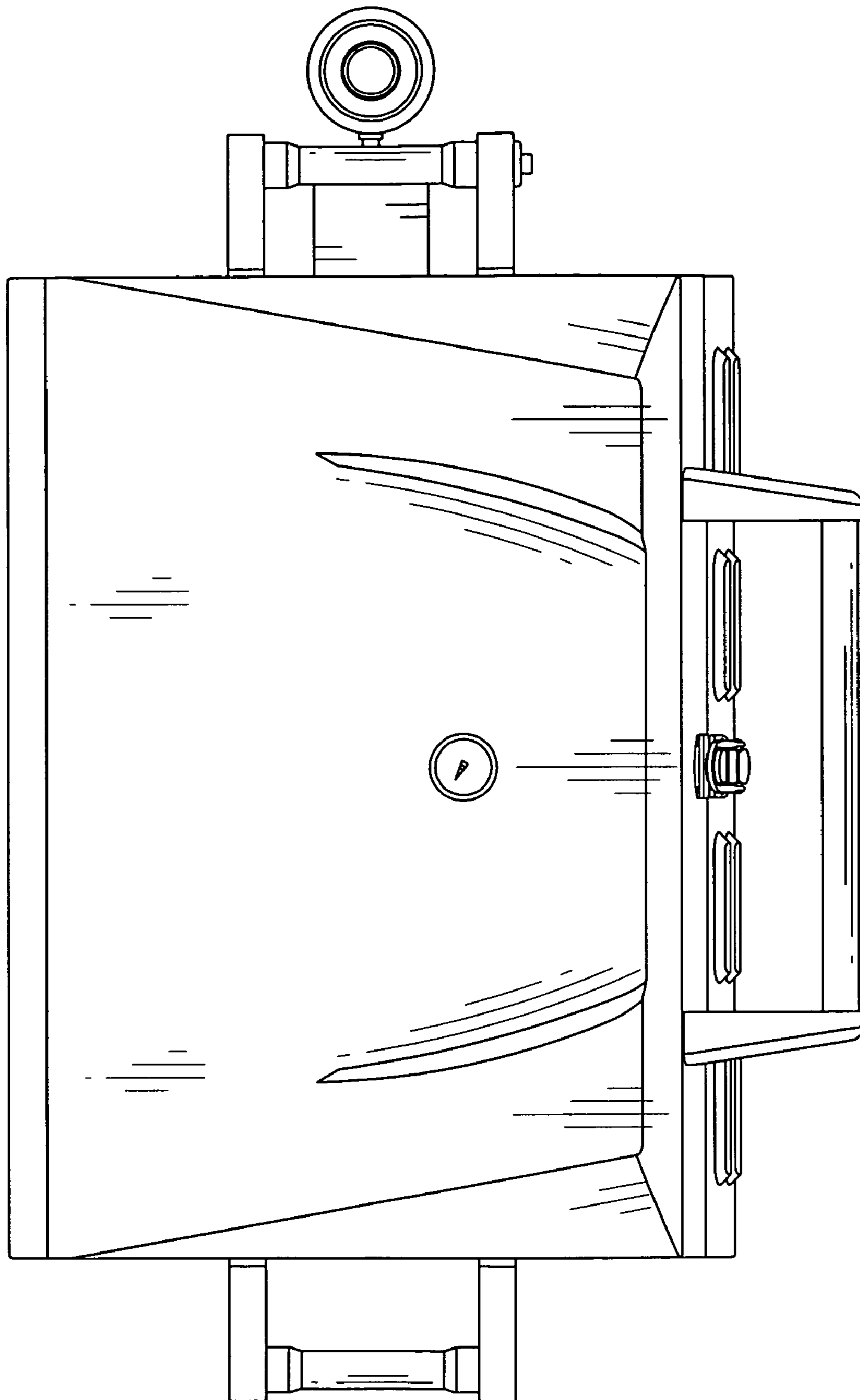


FIG. 6

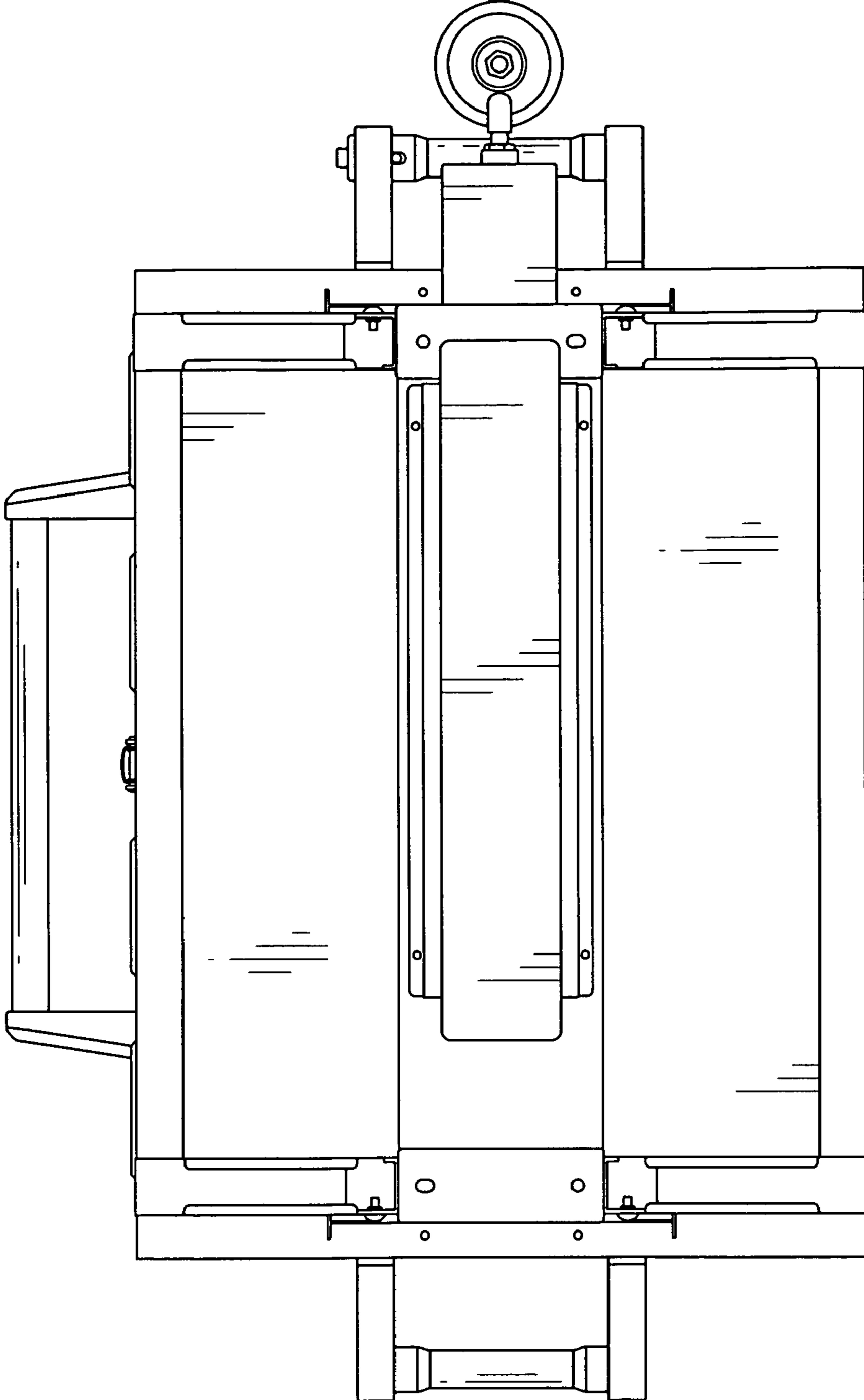


FIG. 7