



US00D576441S

(12) **United States Design Patent**
Chung

(10) **Patent No.:** **US D576,441 S**

(45) **Date of Patent:** **** Sep. 9, 2008**

(54) **BARBECUE GRILL**

D550,501 S * 9/2007 Chung D7/334
D568,670 S * 5/2008 Proffitt et al. D7/334

(76) Inventor: **Kiosky Chung**, Taichung (TW)

* cited by examiner

(**) Term: **14 Years**

Primary Examiner—Ruth McInroy

(21) Appl. No.: **29/299,615**

(74) *Attorney, Agent, or Firm*—Banger Shia

(22) Filed: **Dec. 30, 2007**

(57) **CLAIM**

(51) **LOC (8) Cl.** **07-02**

I claim the ornamental design for a barbecue grill, as shown and described.

(52) **U.S. Cl.** **D7/334**

(58) **Field of Classification Search** D7/332–338,
D7/402–405; 126/25 R, 29–30, 25 A, 25 AA,
126/9 R, 9 B, 8, 38, 41 R, 40, 50, 304 R,
126/305; 99/450, 419, 444, 445

DESCRIPTION

See application file for complete search history.

FIG. 1 is a perspective view of a barbecue grill, showing my new design;

(56) **References Cited**

FIG. 2 is a front elevational view thereof;

U.S. PATENT DOCUMENTS

FIG. 3 is a rear elevational view thereof;

- D460,313 S * 7/2002 Crookshanks et al. D7/334
- D508,363 S * 8/2005 Chung D7/334
- D529,330 S * 10/2006 Chung D7/334
- D529,331 S * 10/2006 Chung D7/334
- D547,594 S * 7/2007 Pai D7/334
- D549,513 S * 8/2007 Chung D7/334

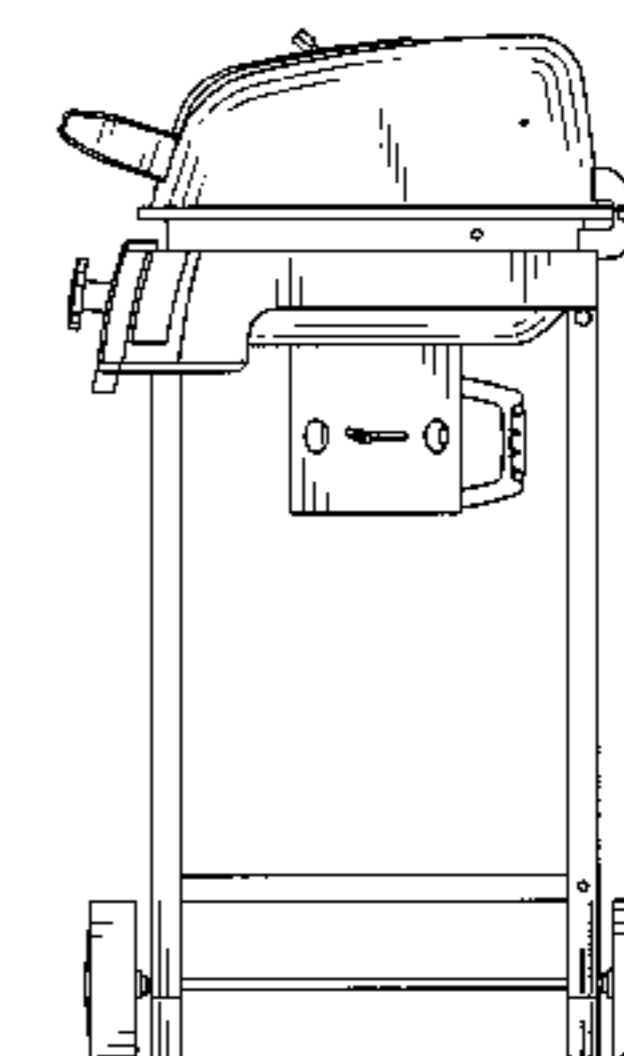
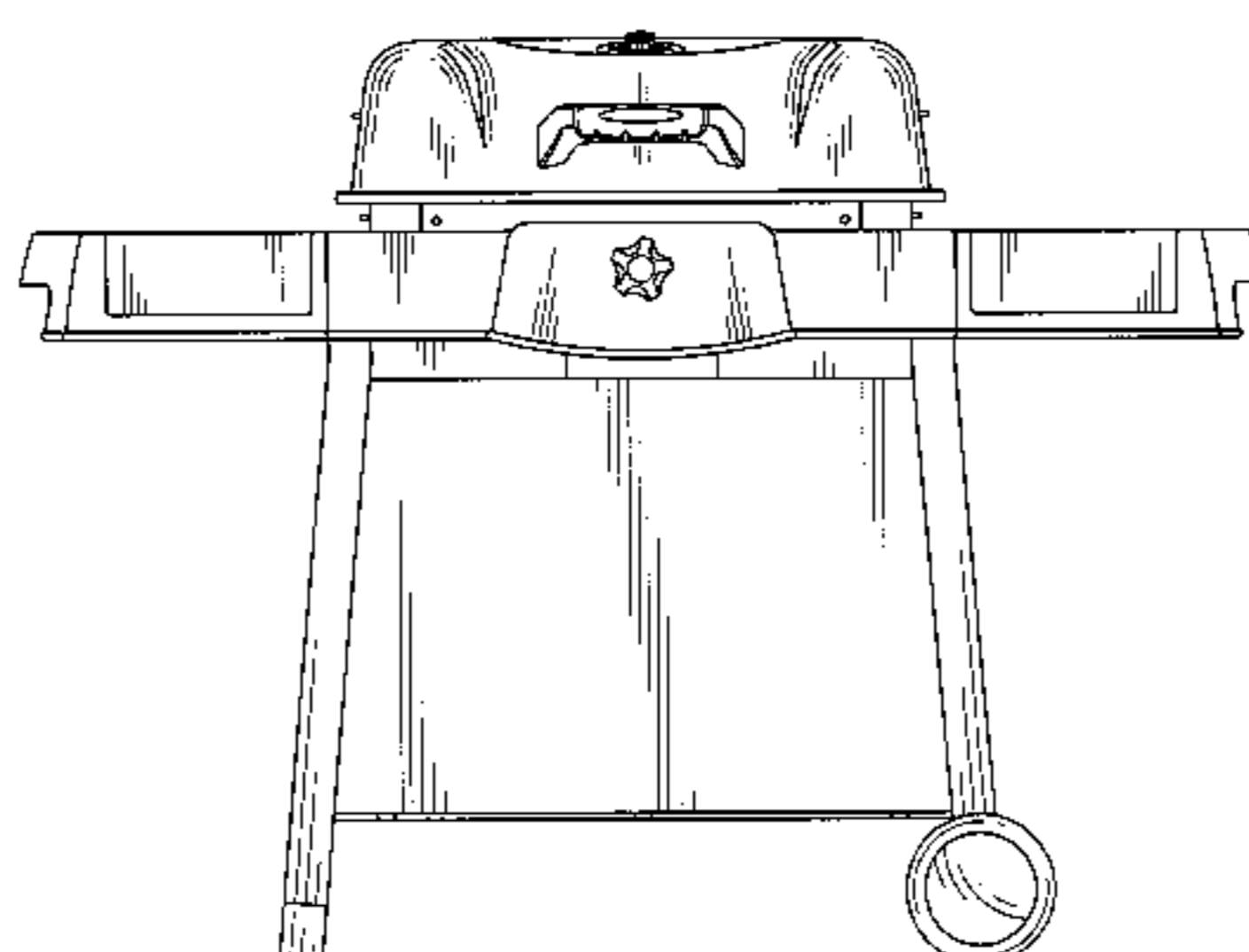
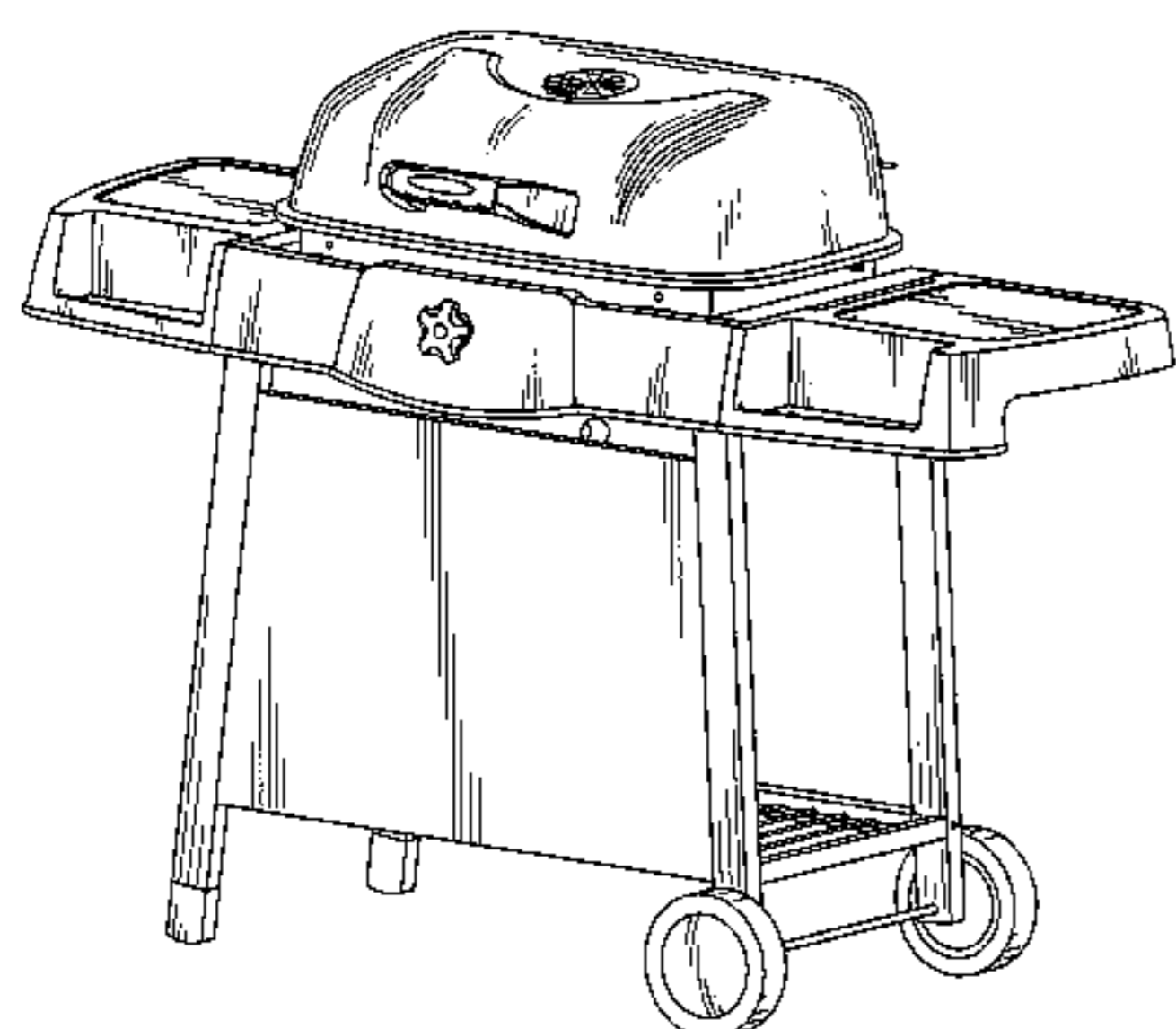
FIG. 4 is a left side elevational view thereof;

FIG. 5 is a right side elevational view thereof;

FIG. 6 is a top plan view thereof; and,

FIG. 7 is a bottom plan view thereof.

1 Claim, 7 Drawing Sheets



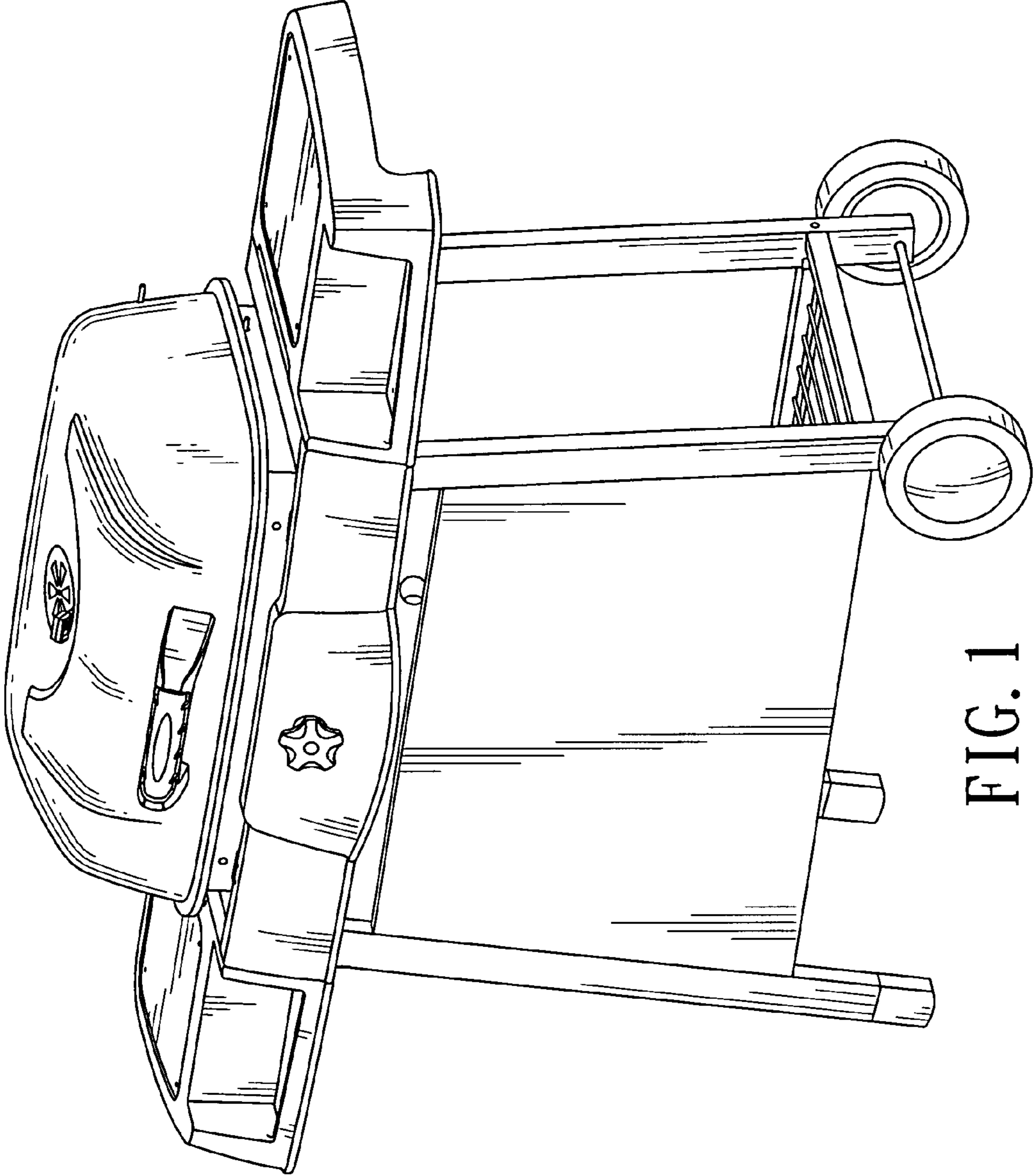


FIG. 1

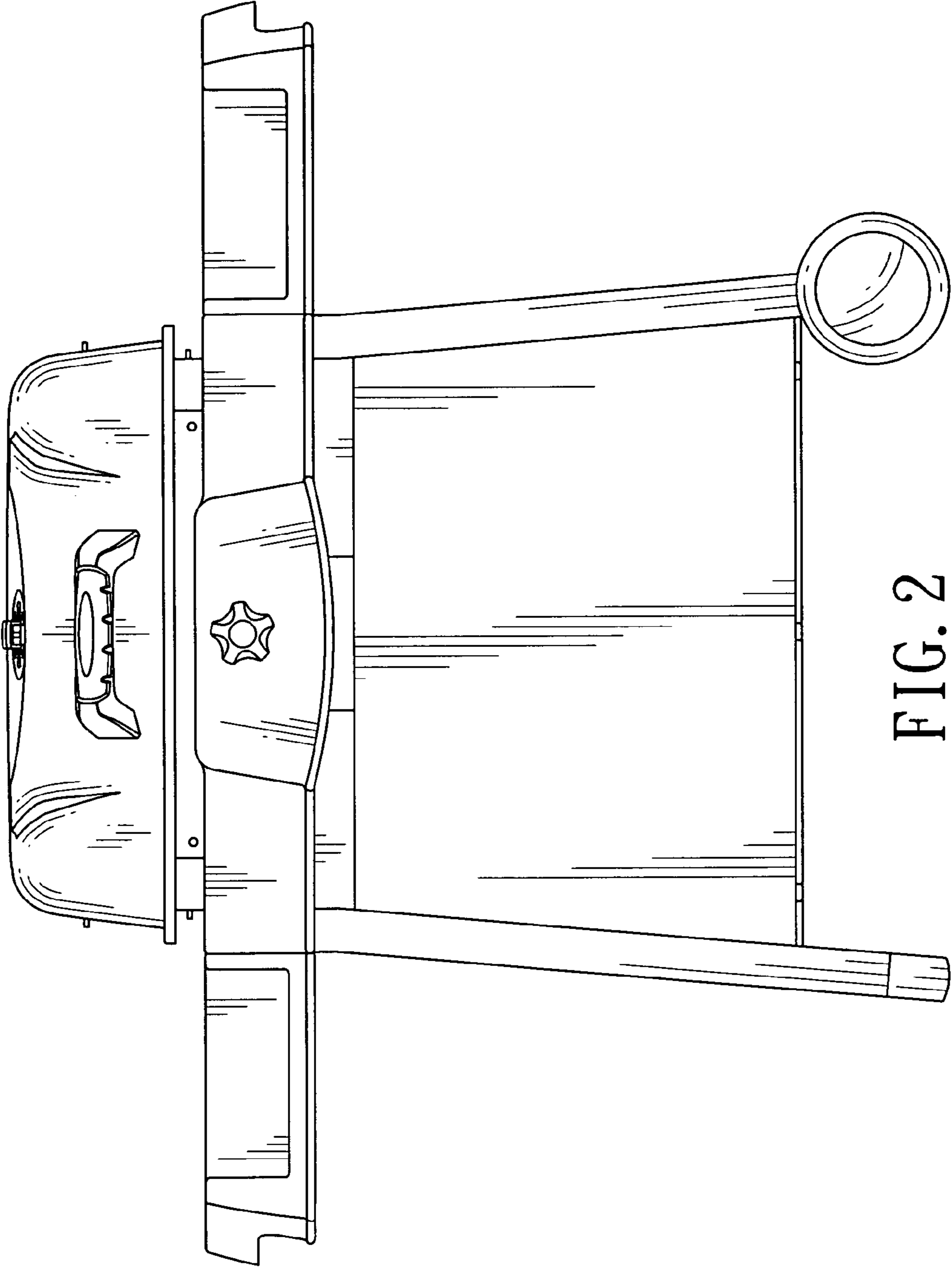


FIG. 2

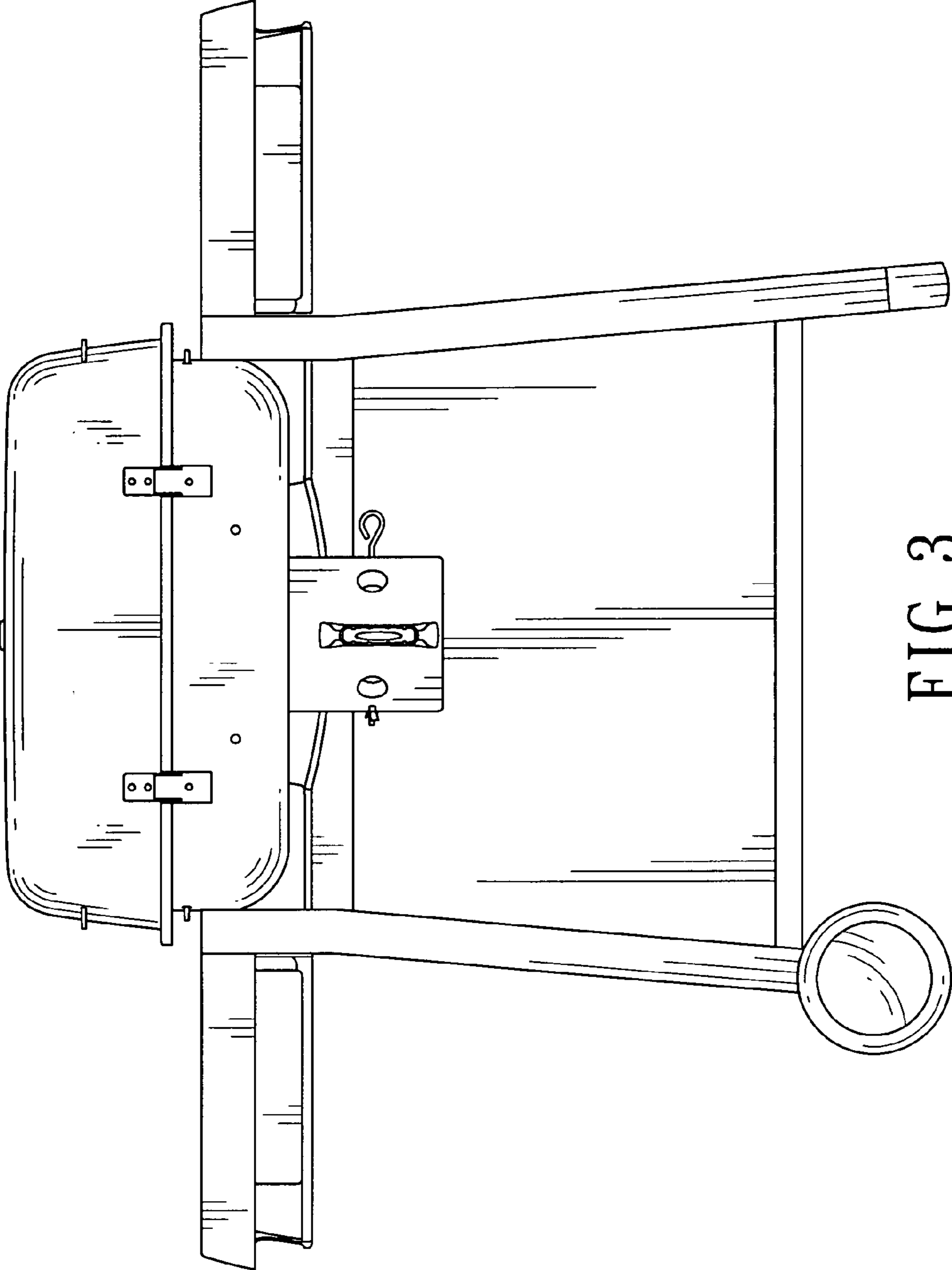


FIG. 3

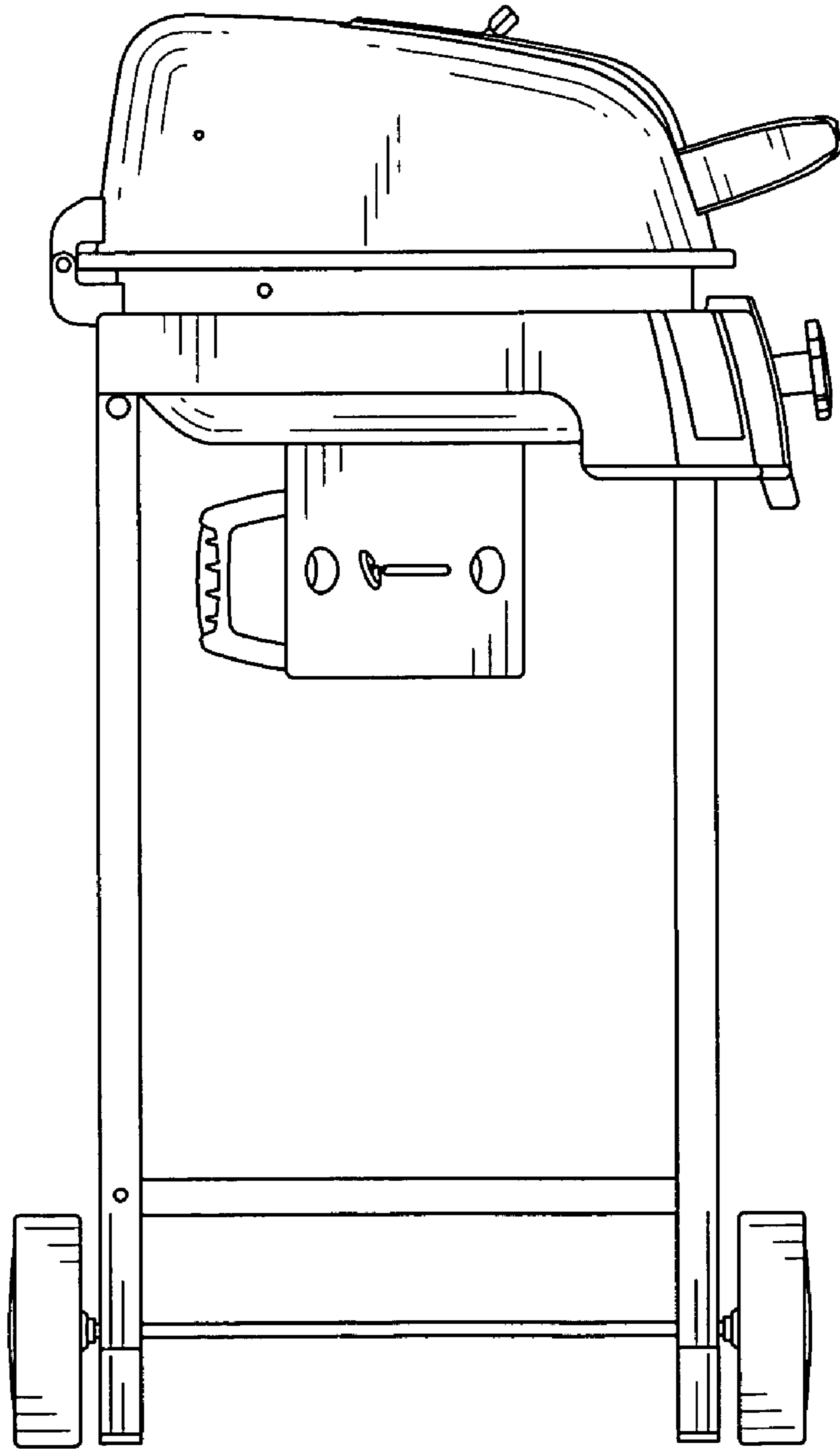


FIG. 4

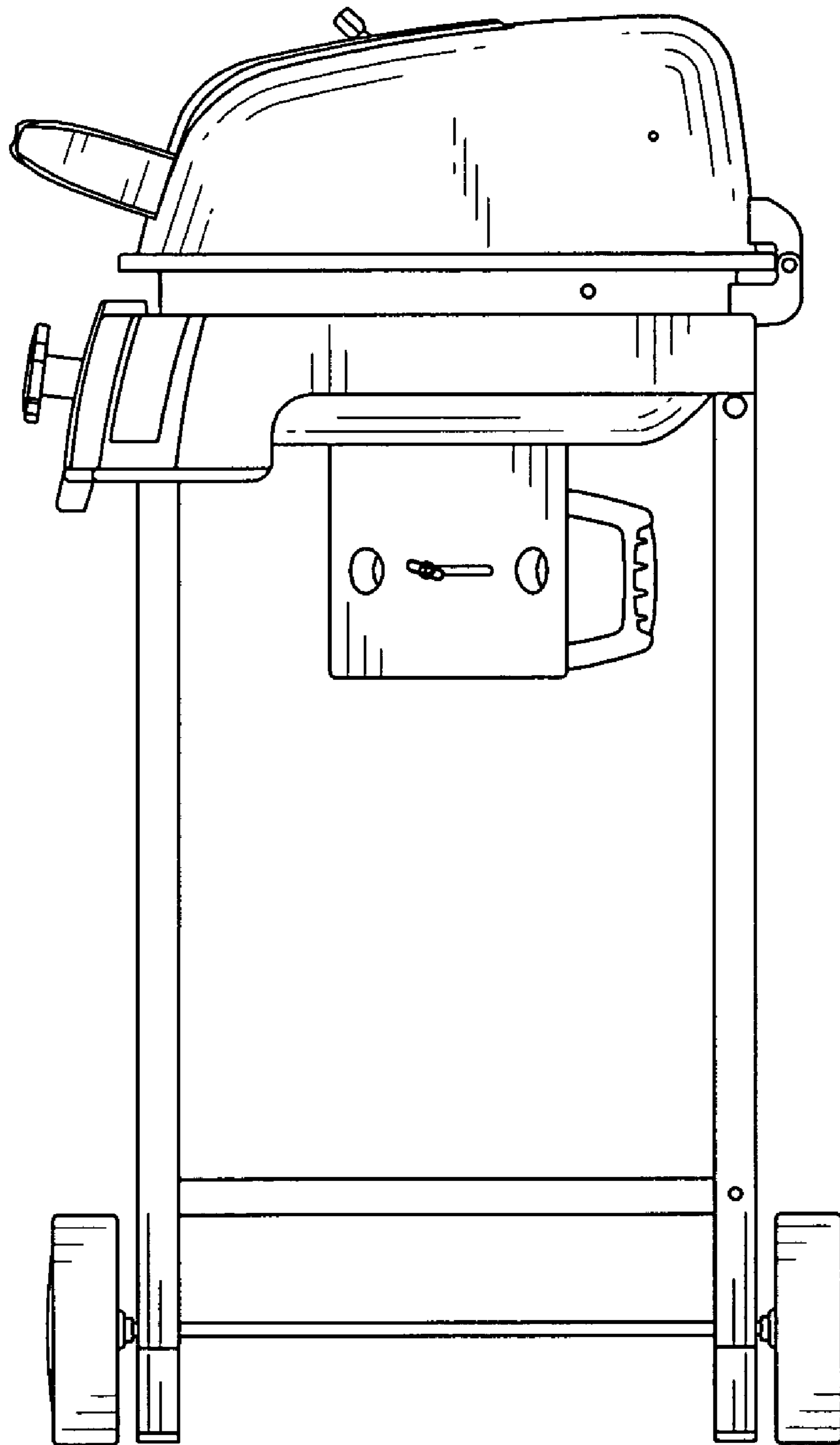


FIG. 5

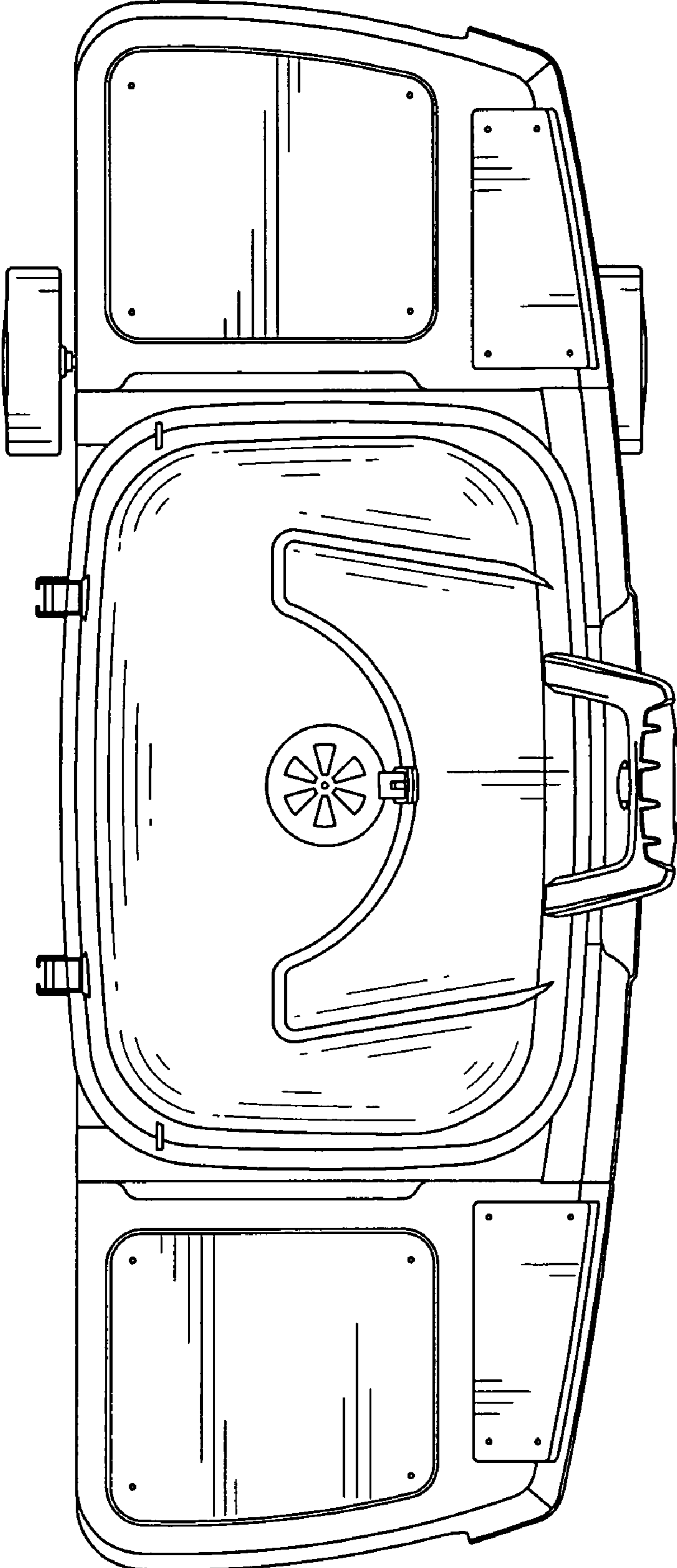


FIG. 6

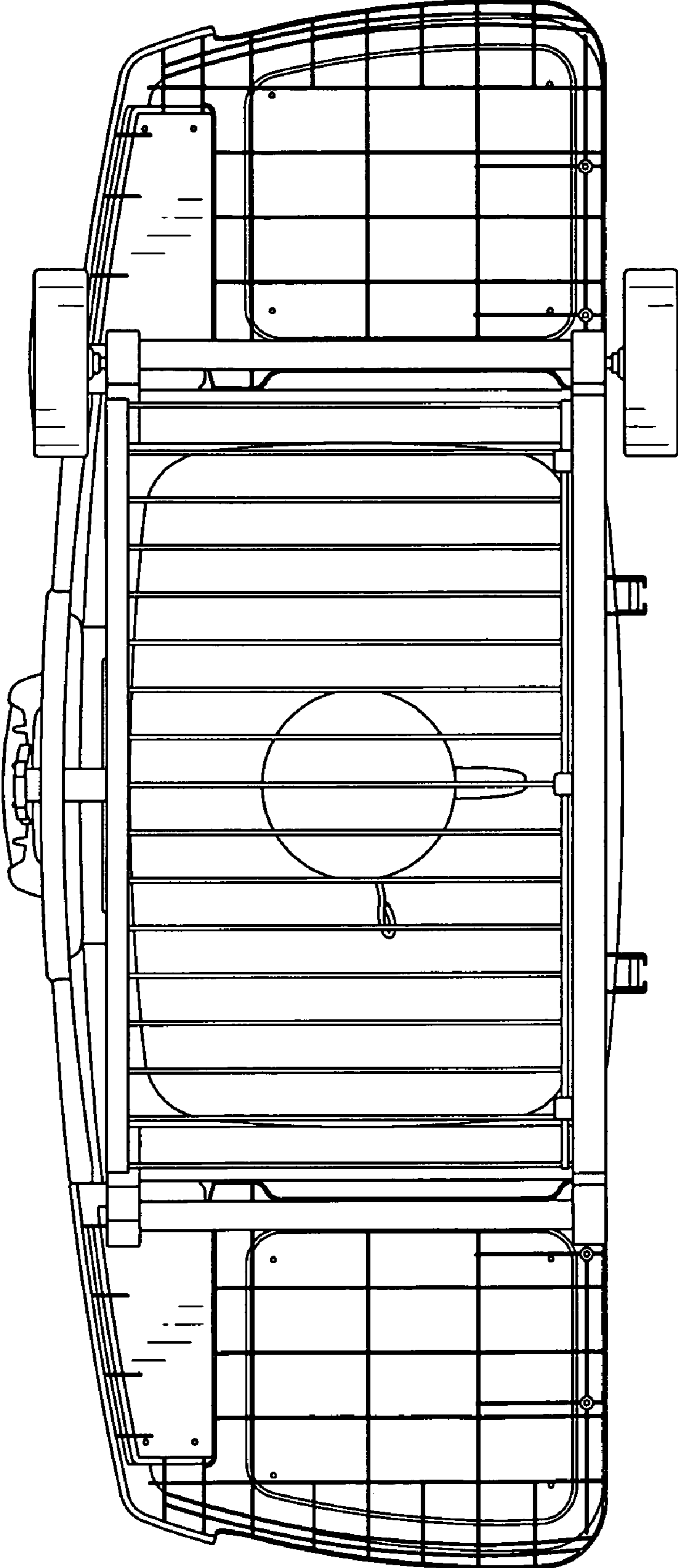


FIG. 7