



US00D576439S

(12) **United States Design Patent**
Yaroshenko

(10) **Patent No.:** **US D576,439 S**

(45) **Date of Patent:** **** Sep. 9, 2008**

(54) **PILLOW**

(76) **Inventor:** **Lyubov Yaroshenko**, 25 Glen View Dr.,
Cranston, RI (US) 02920

(**) **Term:** **14 Years**

(21) **Appl. No.:** **29/296,585**

(22) **Filed:** **Oct. 24, 2007**

(51) **LOC (8) Cl.** **06-09**

(52) **U.S. Cl.** **D6/601**

(58) **Field of Classification Search** D6/595,
D6/596, 601, 604, 606; 5/630, 632, 636,
5/637, 640, 645, 655, 655.3, 655.4, 655.5;
D21/803; D24/183; 27/32.1

See application file for complete search history.

(56) **References Cited**

U.S. PATENT DOCUMENTS

1,934,918	A *	11/1933	Everson	27/21.1
D176,758	S *	1/1956	Edmonson	D6/601
2,765,480	A *	10/1956	Mueller	5/640
4,447,922	A *	5/1984	Brochu	5/637
5,165,130	A *	11/1992	Wendling	5/655
5,273,510	A *	12/1993	Puckett et al.	482/142
5,661,862	A *	9/1997	Ryndak	5/636

D389,359	S *	1/1998	Nowak	D6/601
D397,270	S *	8/1998	Maalouf	D6/601
D432,846	S *	10/2000	Parker et al.	D6/601
D485,724	S *	1/2004	Morikawa	D6/601

* cited by examiner

Primary Examiner—Caron D. Veynar

Assistant Examiner—Mary Ann Calabrese

(74) *Attorney, Agent, or Firm*—Salter & Michaelson

(57) **CLAIM**

The ornamental design for a pillow, as shown.

DESCRIPTION

FIG. 1 is a perspective view of a pillow showing my new design;

FIG. 2 is a front elevational view thereof;

FIG. 3 is a rear elevational view thereof;

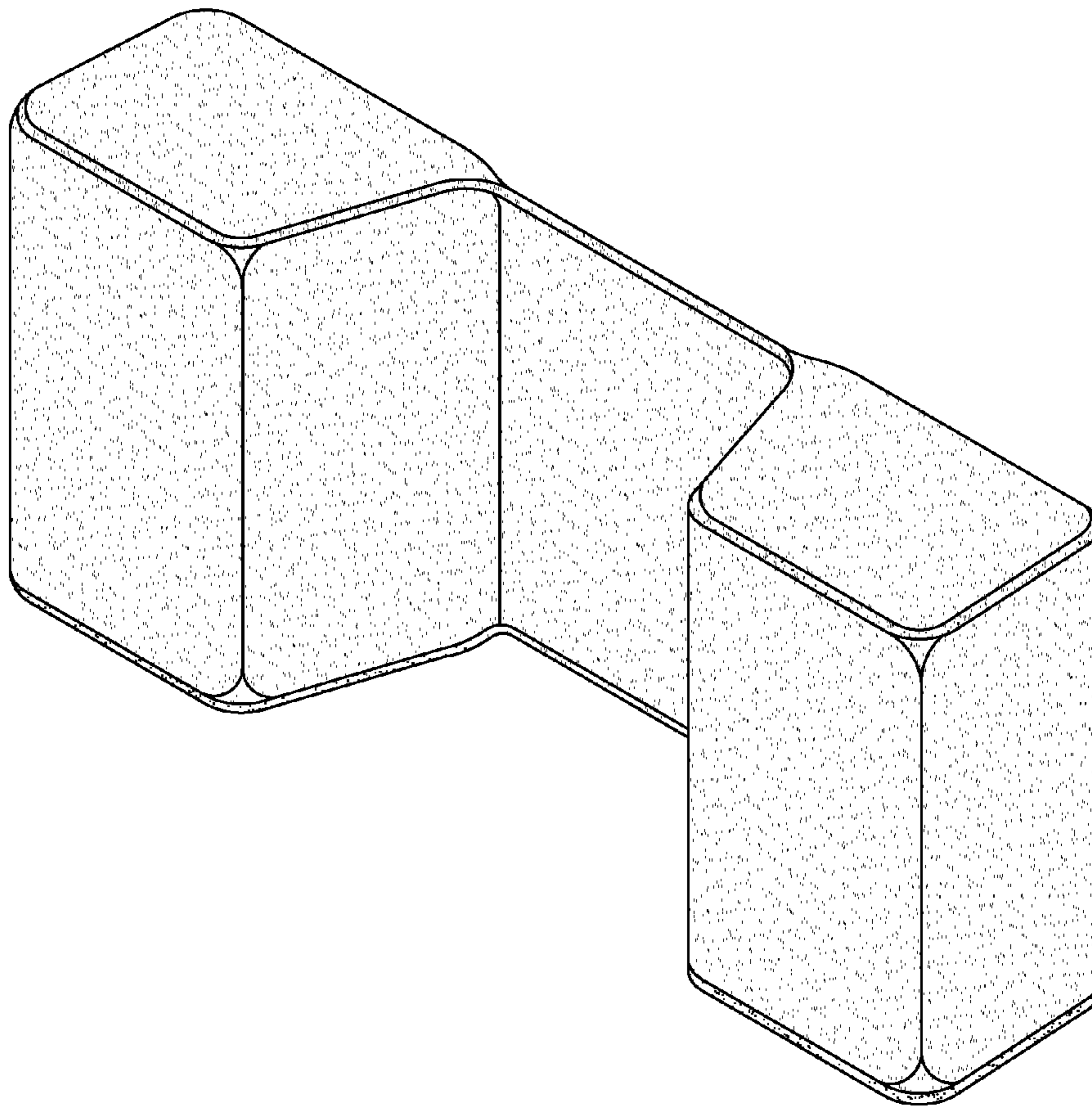
FIG. 4 is a top plan view thereof;

FIG. 5 is a bottom plan view thereof;

FIG. 6 is a right side elevational view thereof; and,

FIG. 7 is a left side elevational view thereof.

1 Claim, 3 Drawing Sheets



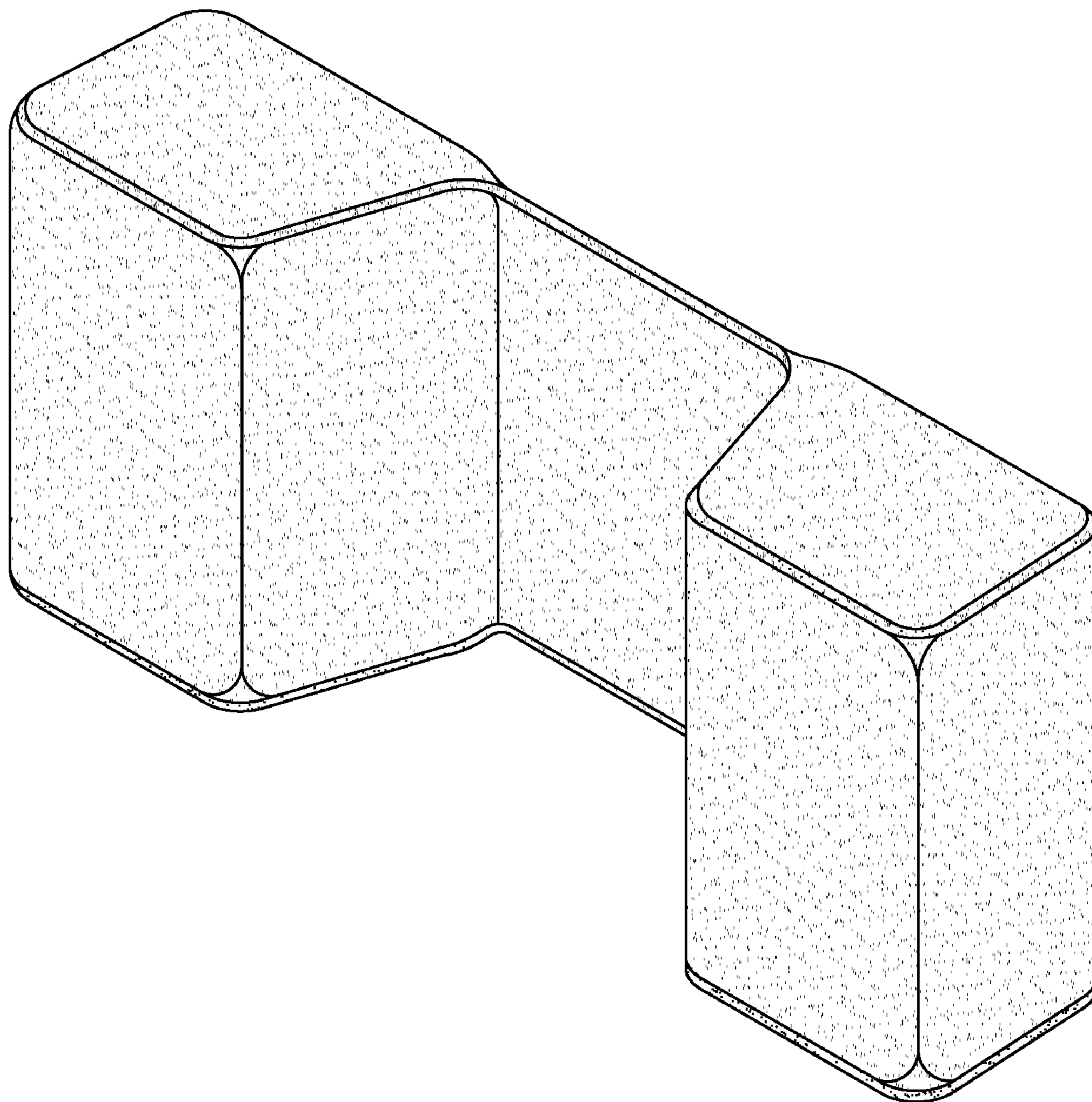


FIG. 1

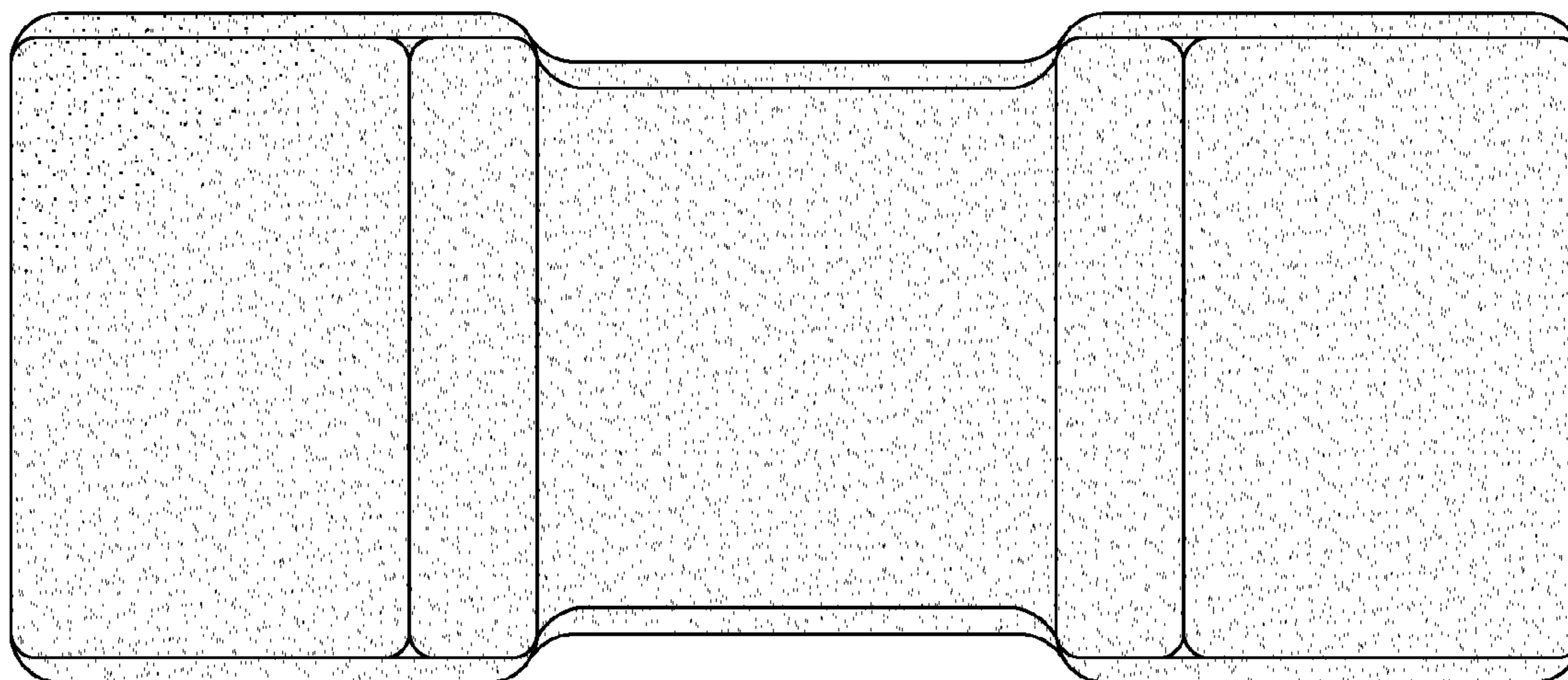


FIG. 2

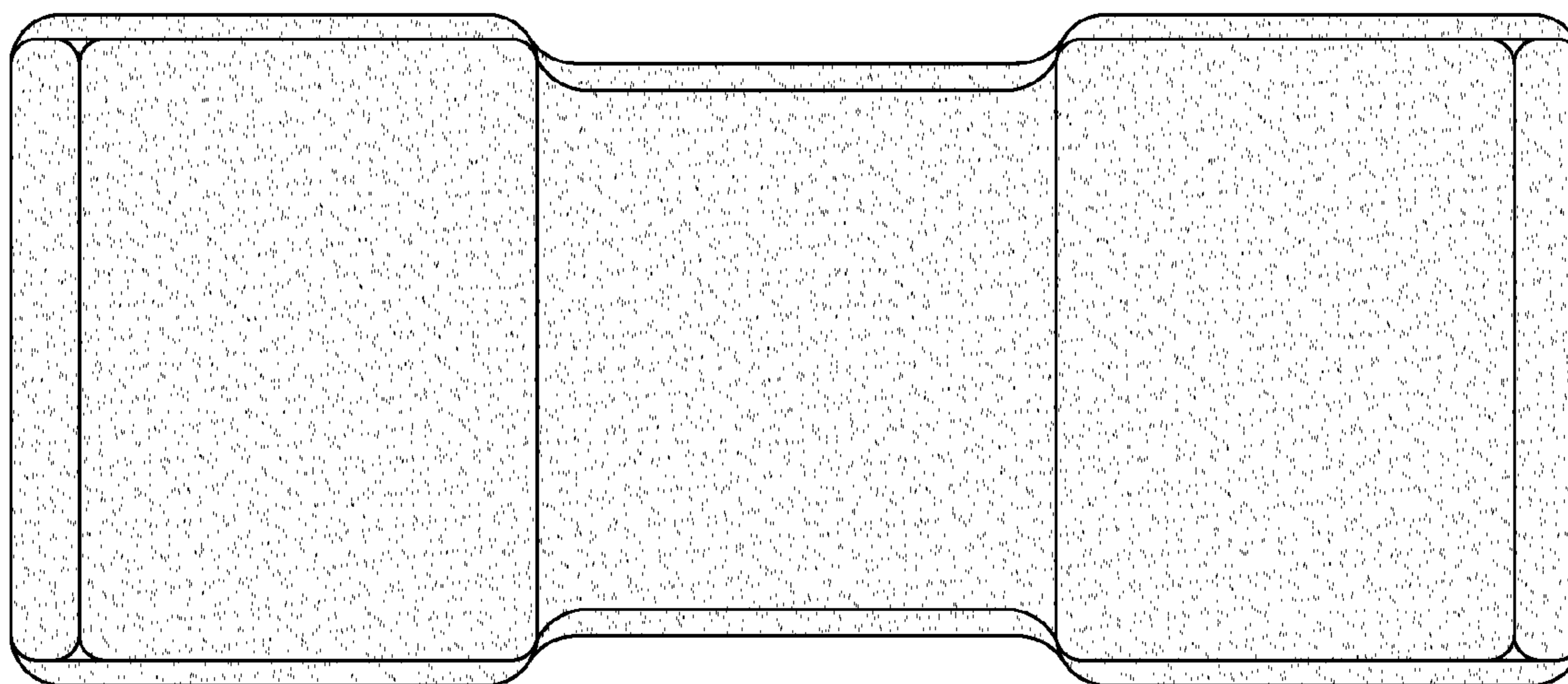


FIG. 3

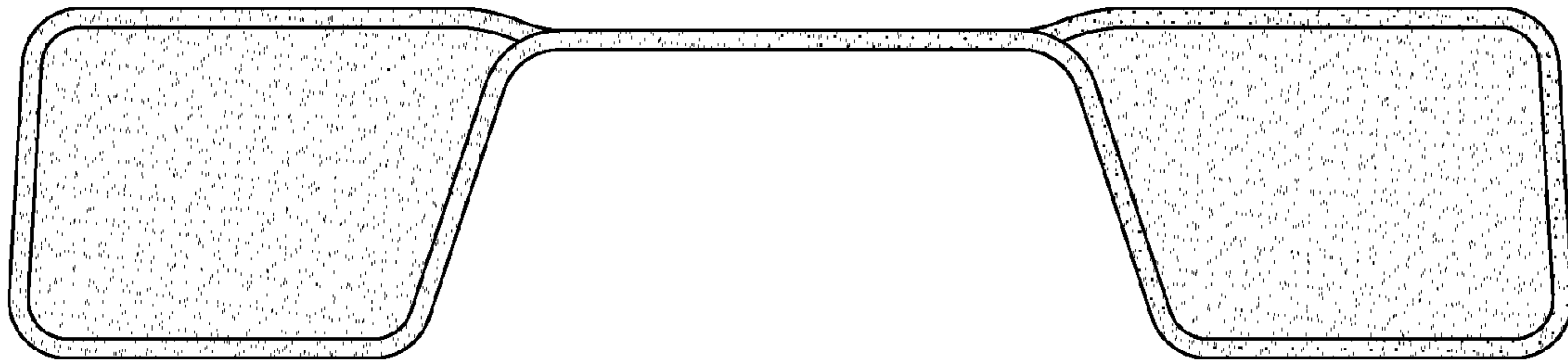


FIG. 4

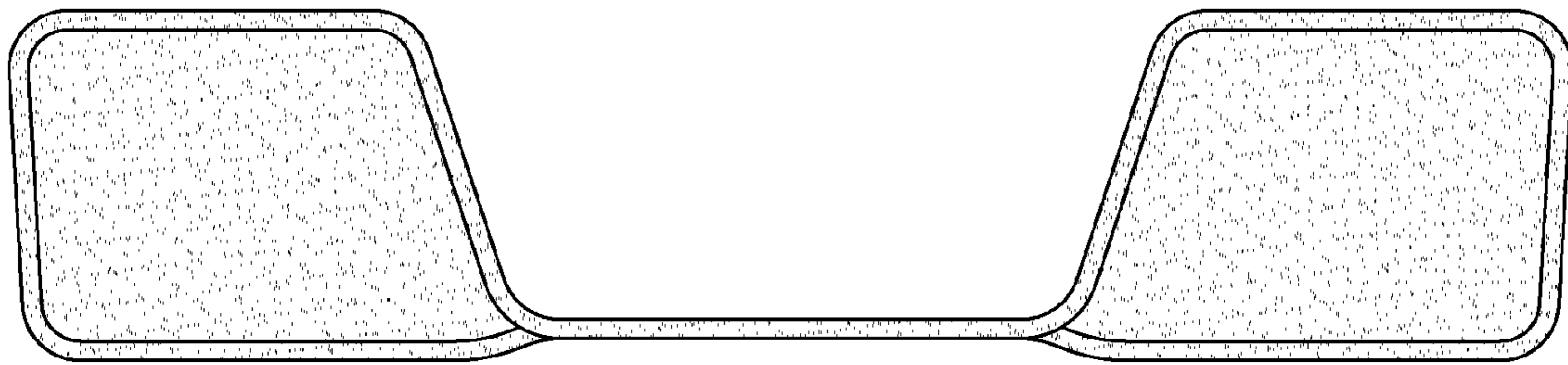


FIG. 5

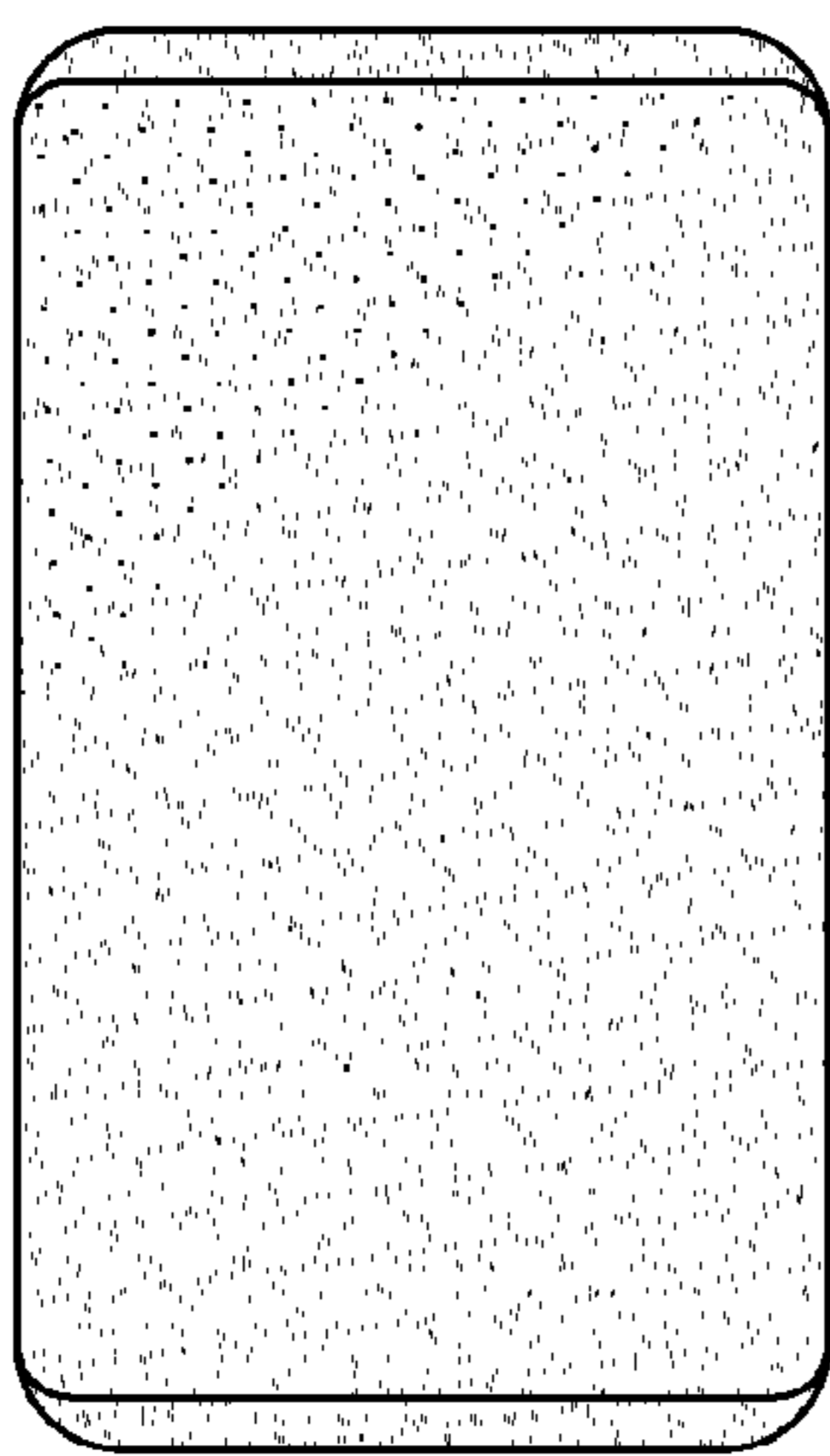


FIG. 6

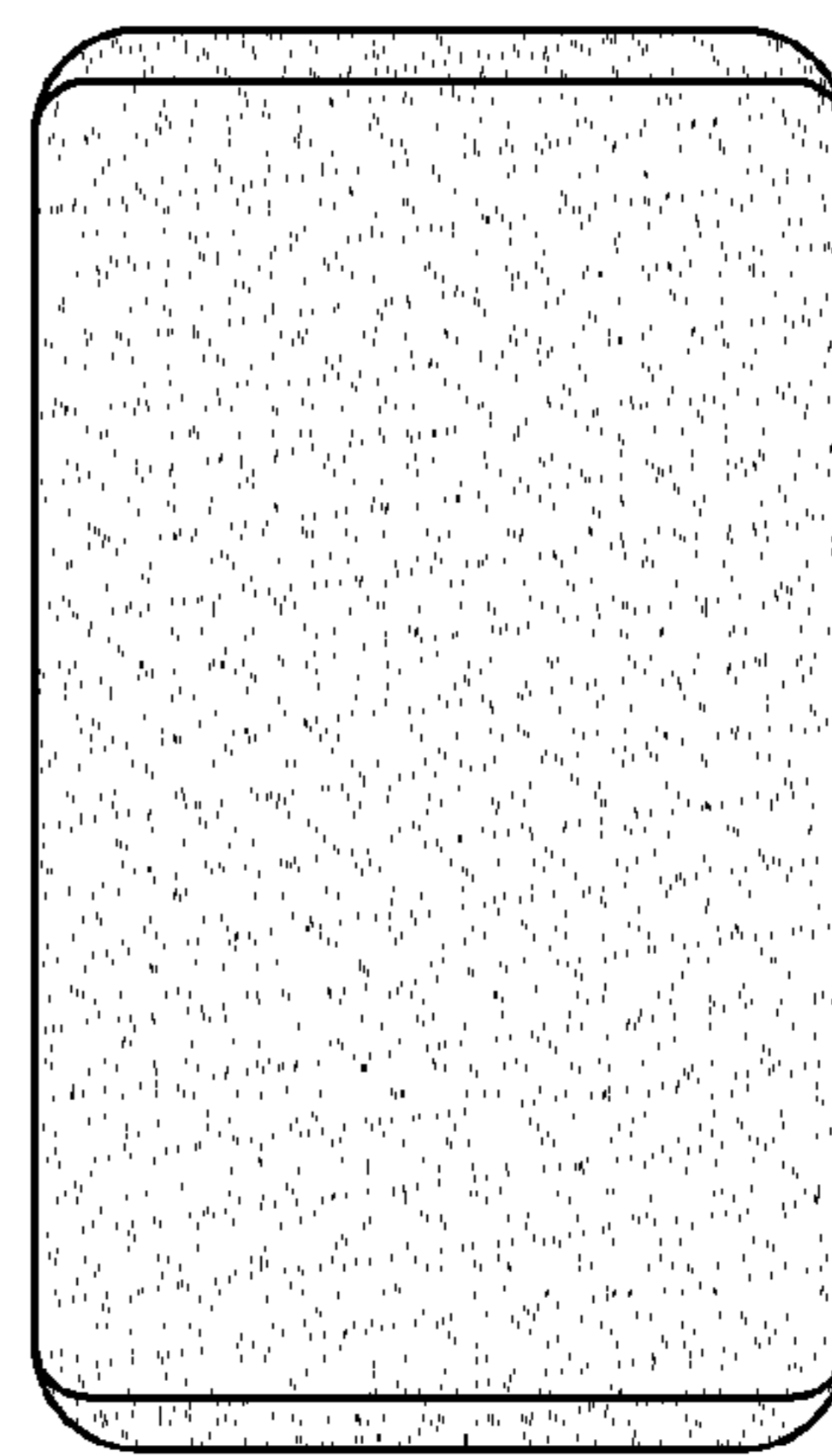


FIG. 7