



US00D576436S

(12) **United States Design Patent**
Provost et al.

(10) **Patent No.:** **US D576,436 S**
(45) **Date of Patent:** **** Sep. 9, 2008**

(54) **RAZOR STAND**

D531,439 S * 11/2006 Kling D6/526
D544,737 S * 6/2007 Nagoya D6/526

(75) Inventors: **Craig Alan Provost**, Boston, MA (US);
Kristopher William Schulz,
Framingham, MA (US)

OTHER PUBLICATIONS

Screen Shot from the Art of Shaving Website visited on Mar. 30, 2007
showing "Compact Shaving Set" (1 page of razor stands in color).

(73) Assignee: **The Gillette Company**, Boston, MA
(US)

* cited by examiner

(**) Term: **14 Years**

Primary Examiner—Brian N Vinson

(21) Appl. No.: **29/307,571**

(74) *Attorney, Agent, or Firm*—Brion A. Berman; Kevin C.
Johnson

(22) Filed: **Apr. 28, 2008**

(57) **CLAIM**

Related U.S. Application Data

The ornamental design for a razor stand, as shown and
described.

(62) Division of application No. 29/286,378, filed on May
3, 2007, now Pat. No. Des. 572,063.

DESCRIPTION

(51) **LOC (8) Cl.** **28-03**
(52) **U.S. Cl.** **D6/526**
(58) **Field of Classification Search** D6/526,
D6/524, 540; 211/13.1, 70.6, 87.01, 89.01;
248/200, 205.5, 309.1, 314, 127, 176.1
See application file for complete search history.

FIG. 1 is a top perspective view of a razor stand showing our
new design;
FIG. 2 is a right side elevation view thereof;
FIG. 3 is a front elevation view thereof;
FIG. 4 is a left side elevation view thereof;
FIG. 5 is a rear elevation view thereof;
FIG. 6 is a top plan view thereof;
FIG. 7 is a bottom plan view thereof; and,
FIG. 8 is a perspective view similar to FIG. 1 showing a razor
and brush in phantom in the razor stand.

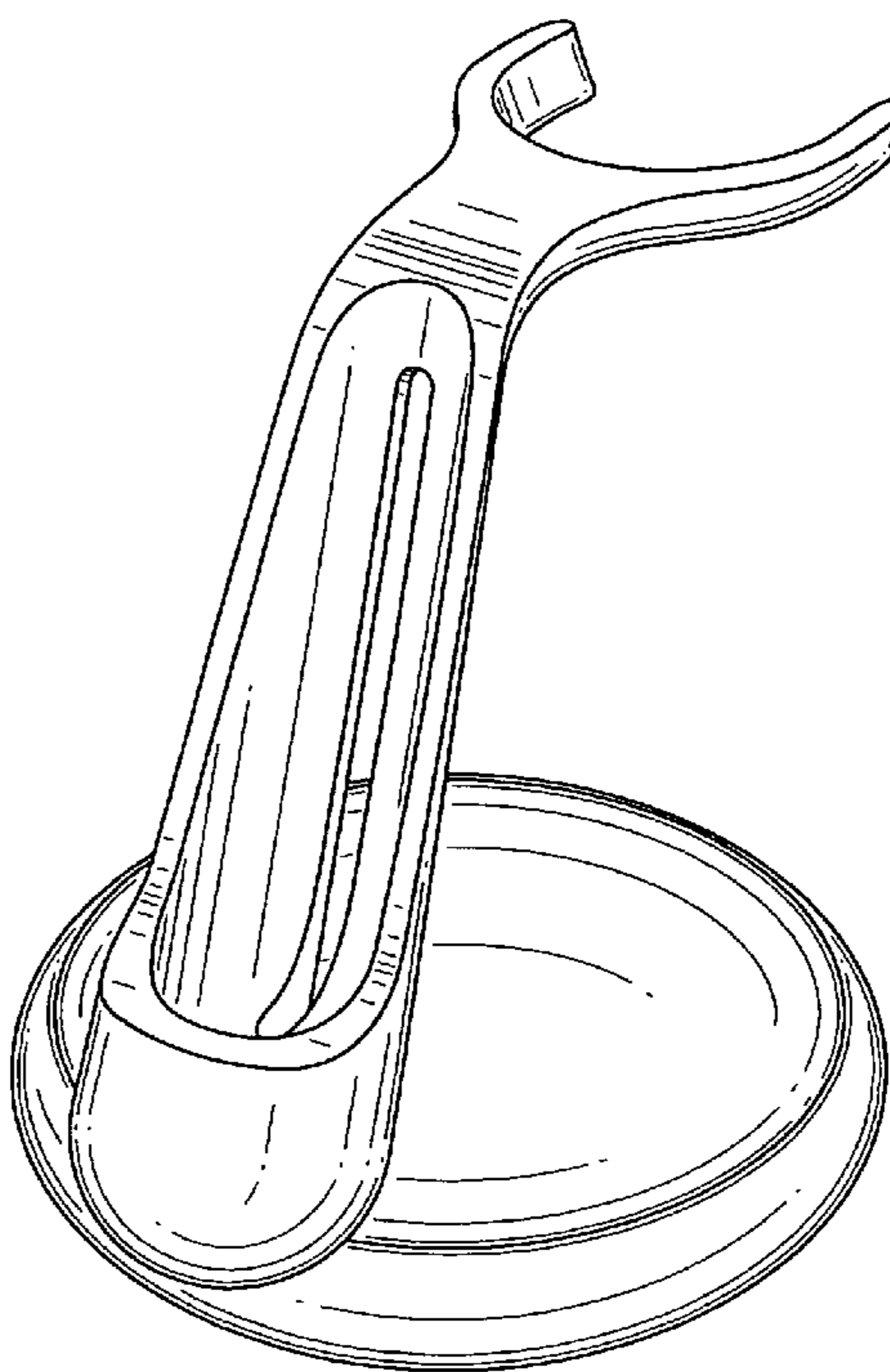
(56) **References Cited**

U.S. PATENT DOCUMENTS

D335,599 S * 5/1993 Novak D6/526
5,228,580 A 7/1993 Grange
D345,269 S * 3/1994 Novak D6/526
5,407,066 A 4/1995 Grange
5,429,241 A 7/1995 Althaus
D400,746 S * 11/1998 Althaus et al. D6/526
D425,255 S * 5/2000 Chen D6/526

The broken line disclosure of the shaving razor and brush is
for illustrative purposes only and does not constitute a part of
the claimed design.

1 Claim, 5 Drawing Sheets



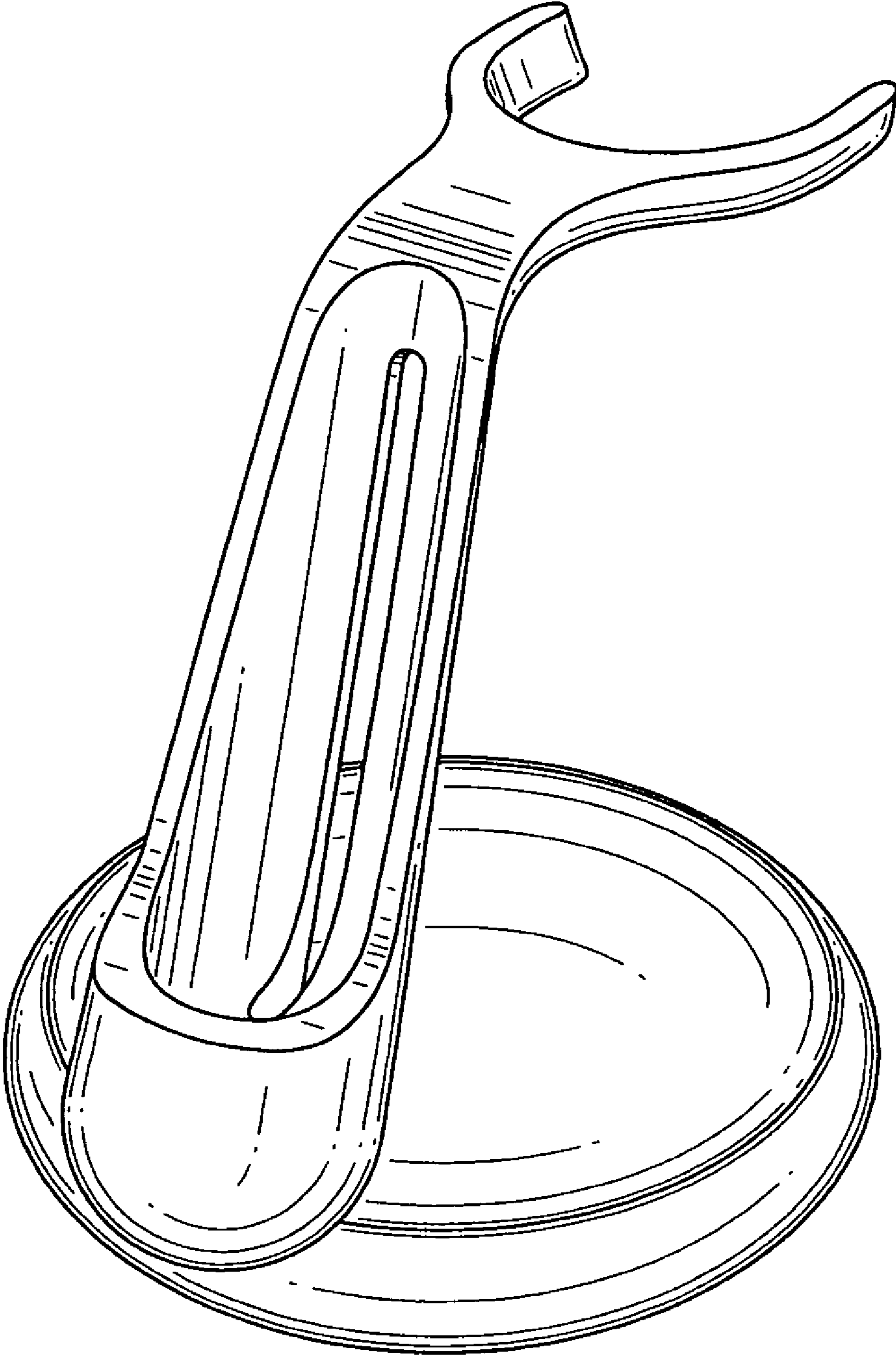


FIG. 1

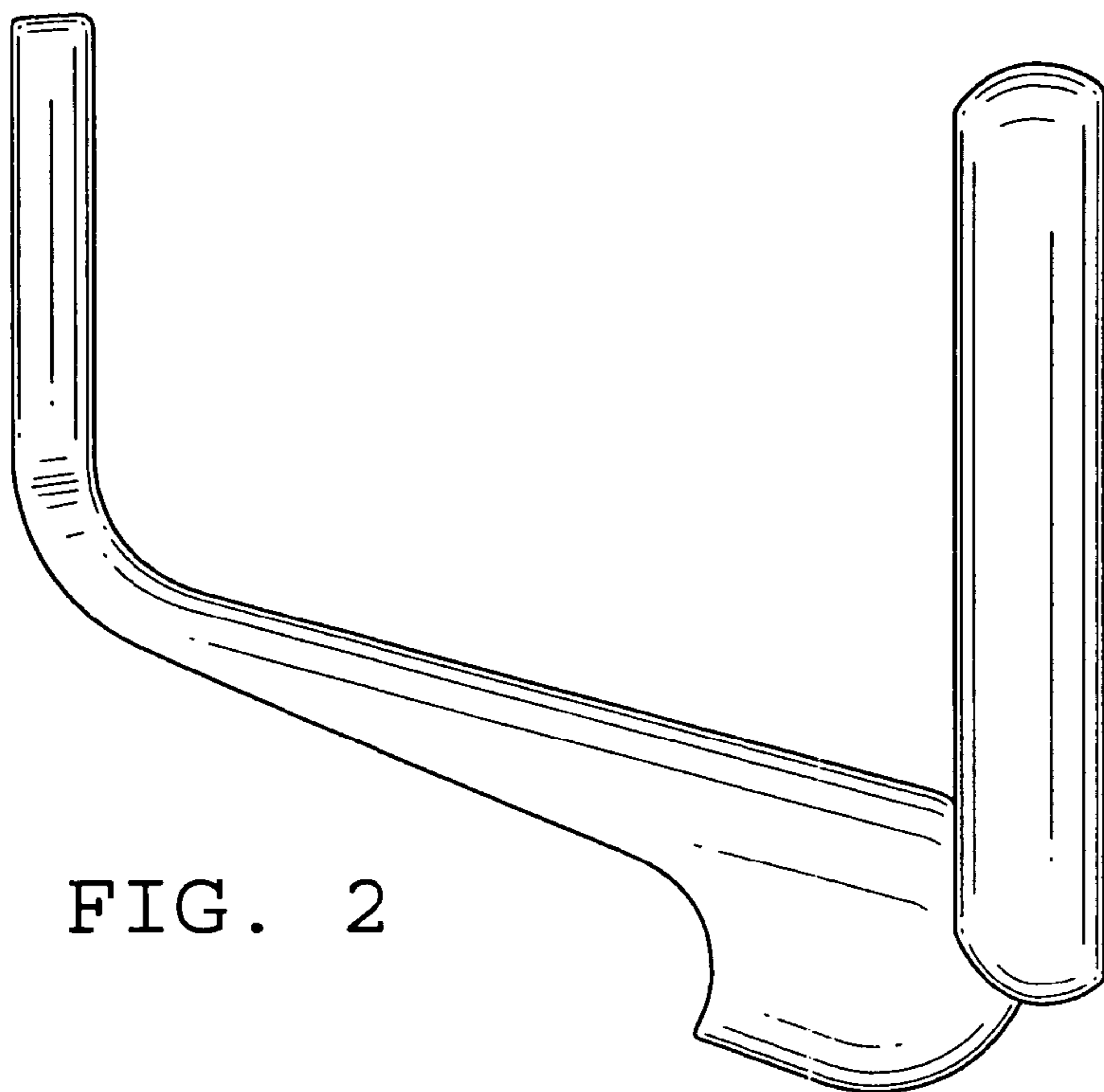


FIG. 2

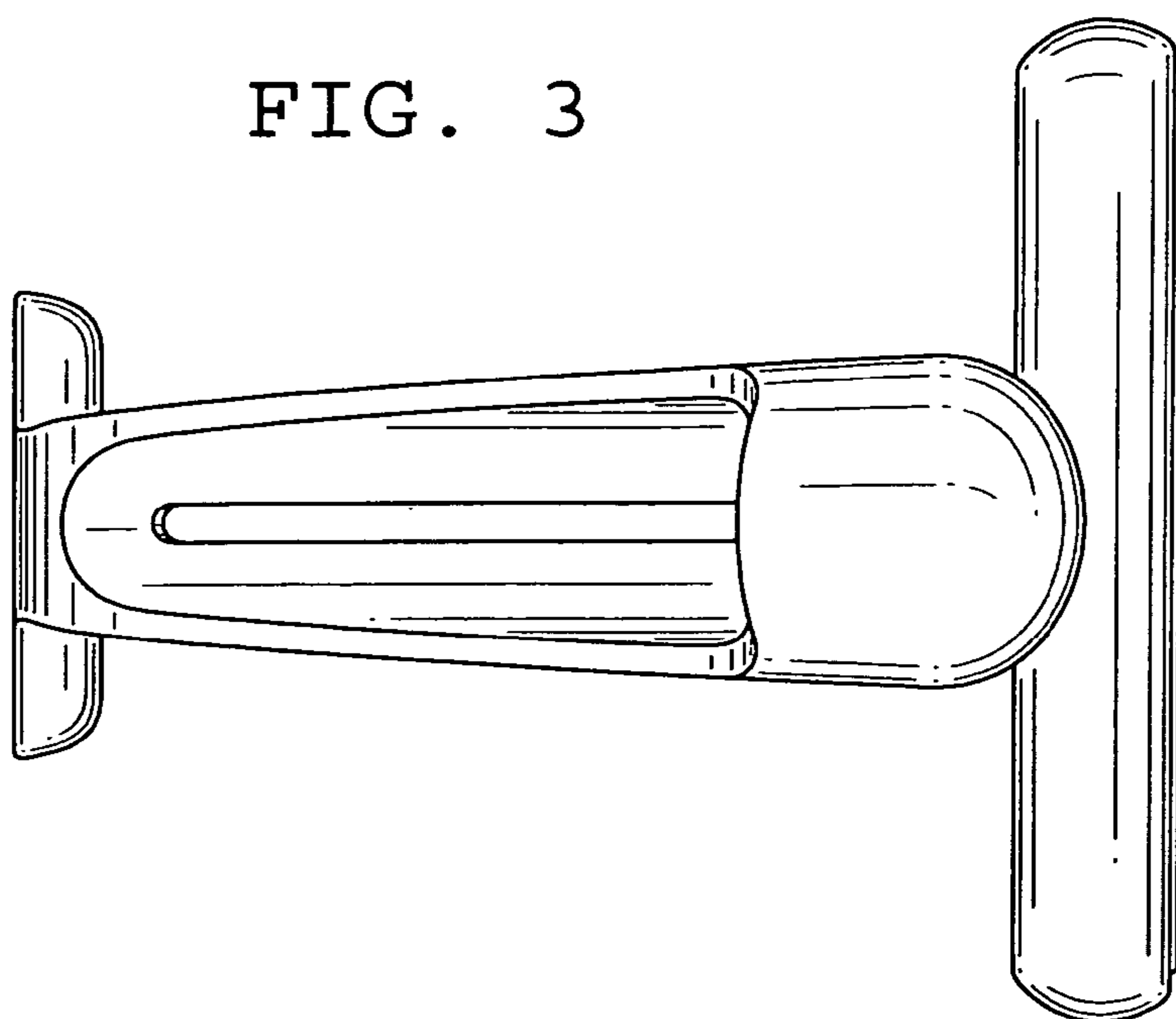


FIG. 3

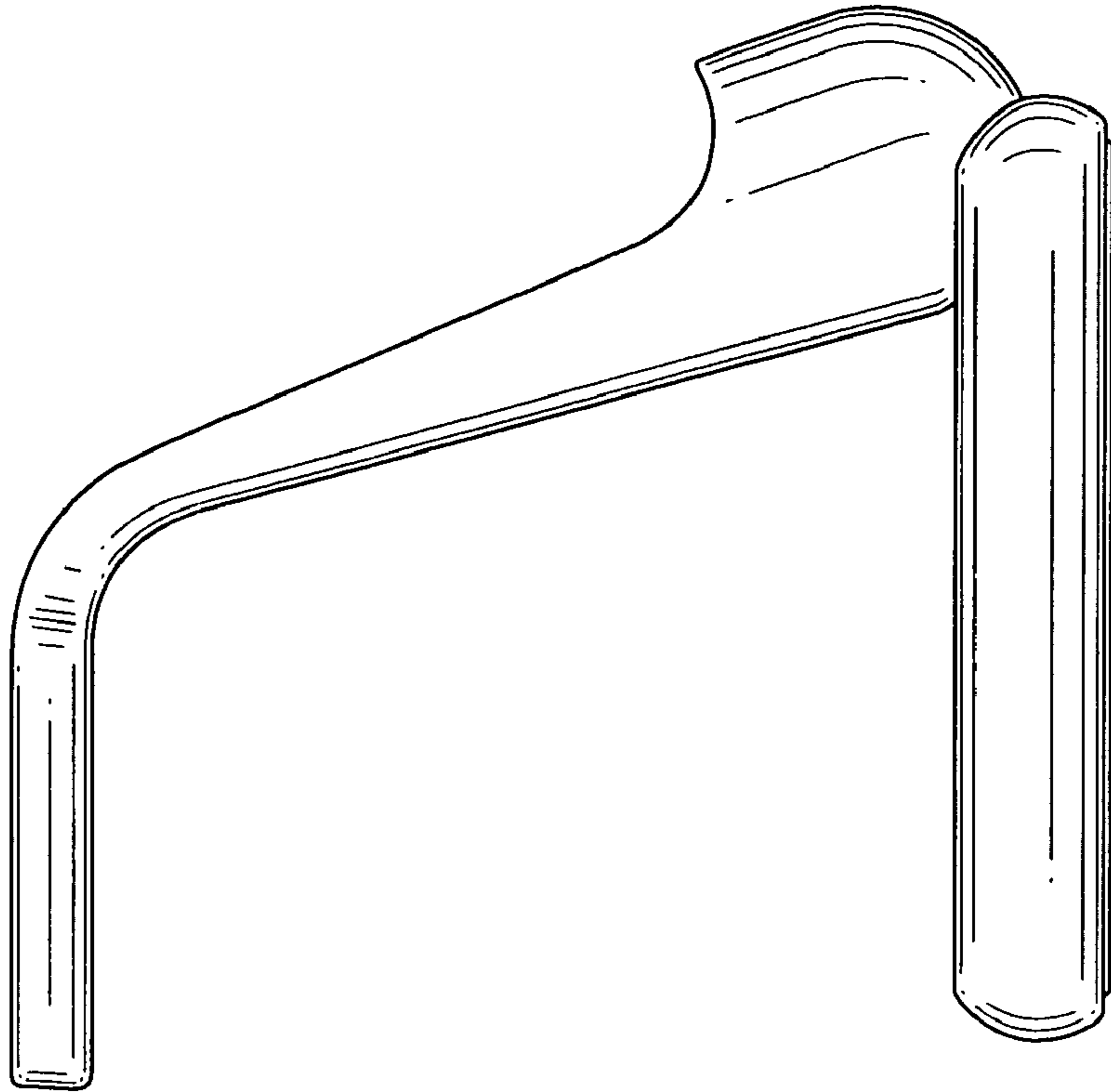


FIG. 4

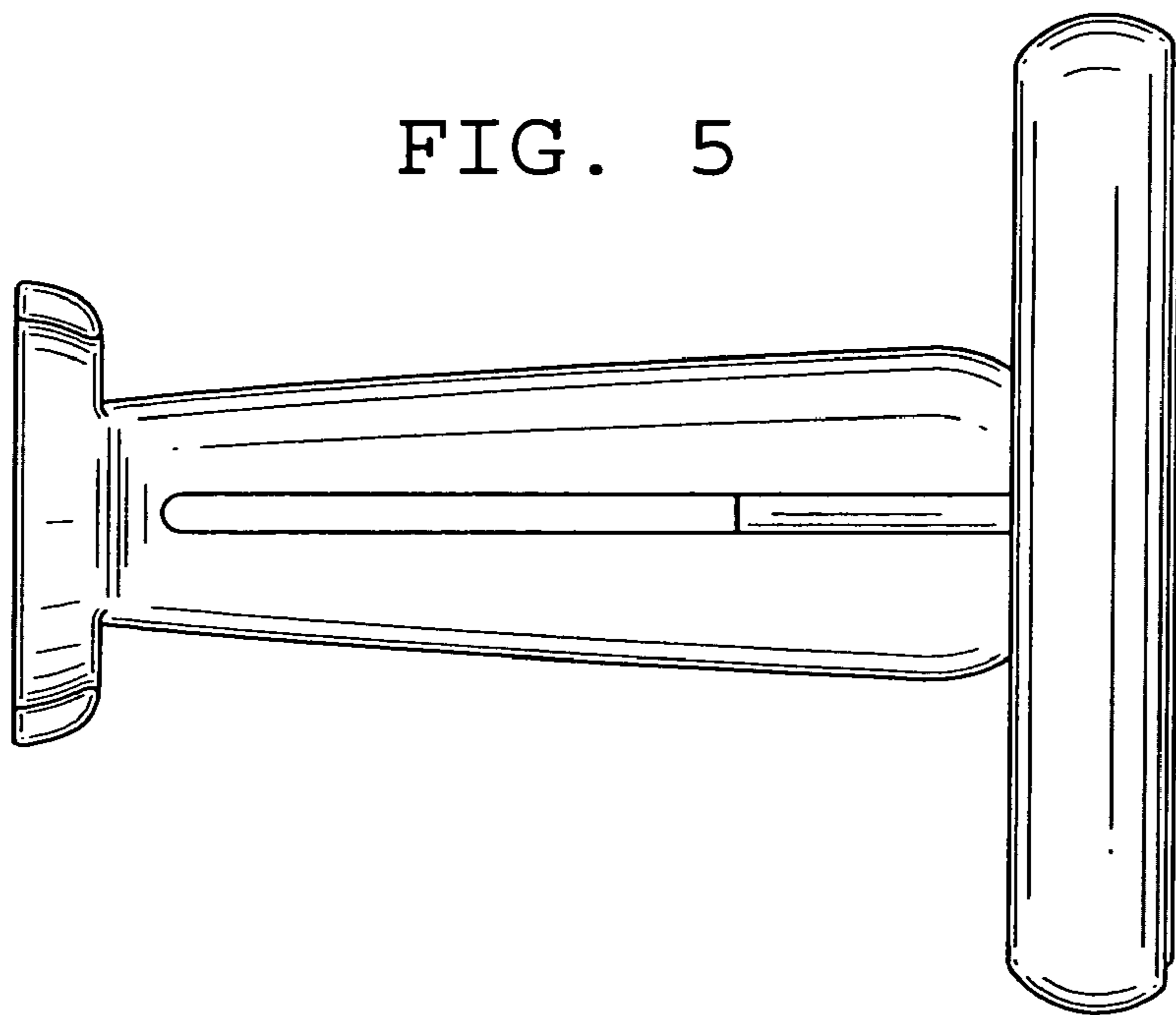


FIG. 5

FIG. 6

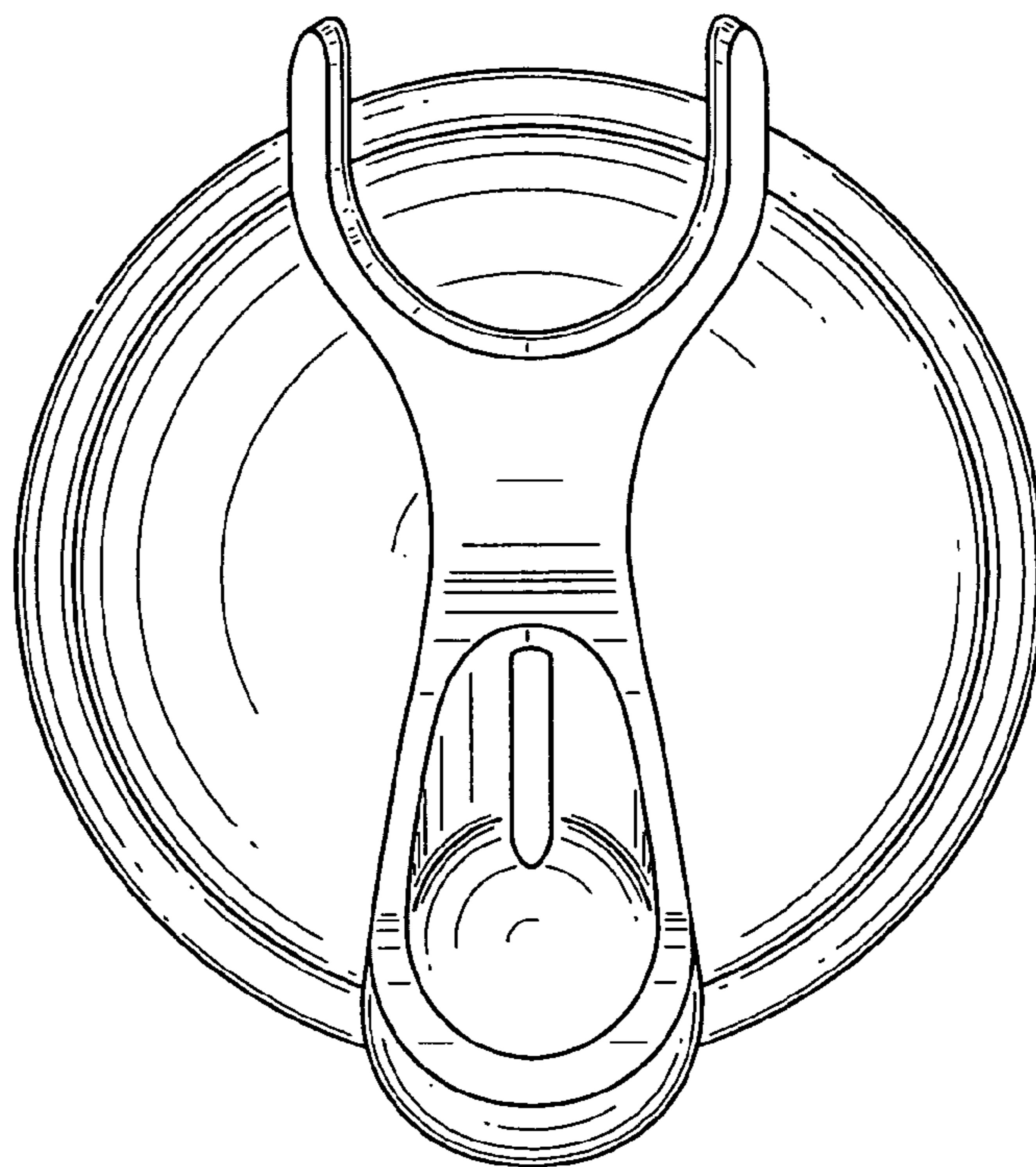


FIG. 7

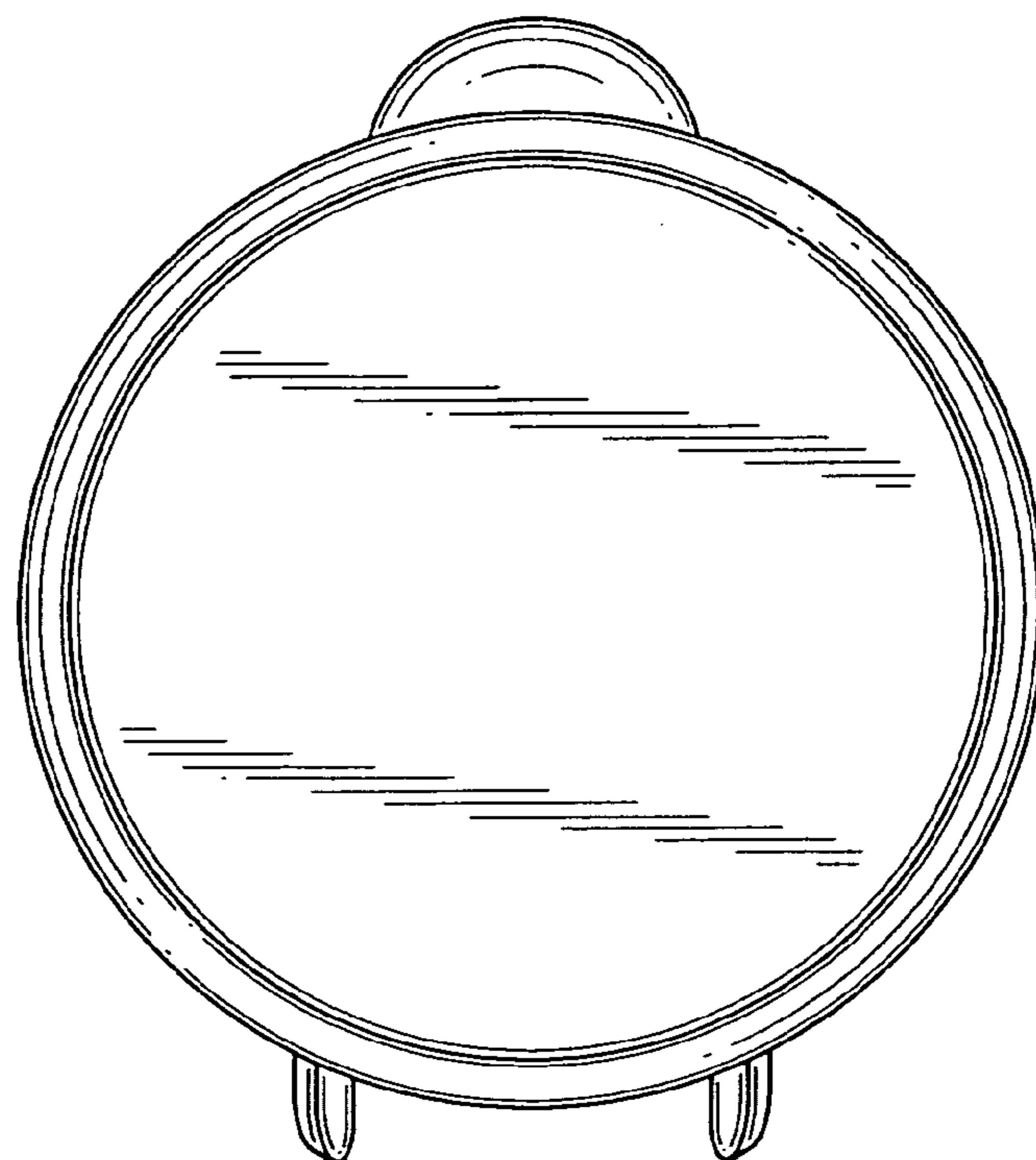


FIG. 8

